

LoHi CONSOLE



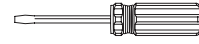
Placement and Maintenance

Your LoHi Console is designed for indoor use on level floors. Furniture with hard lacquer, wax polish or painted surface should be dusted with a dry cloth. Spillages should be wiped up as soon as possible. Our furniture will endure most temperatures in the home but it is best to avoid placing furniture next to heat sources such as radiators or fires.

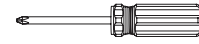
Step 1

Unpack and identify the parts listed below. The assembly workspace should be a non-marring surface such as carpet. For missing hardware pieces, visit our website www.mossdesign.us

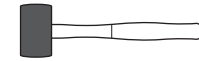
Tool Required:



Slotted Screwdriver



Screwdriver



Mallet or Hammer

Tool Provided:



H1 Set Screw x 8



H2 Barrel Housing x 8



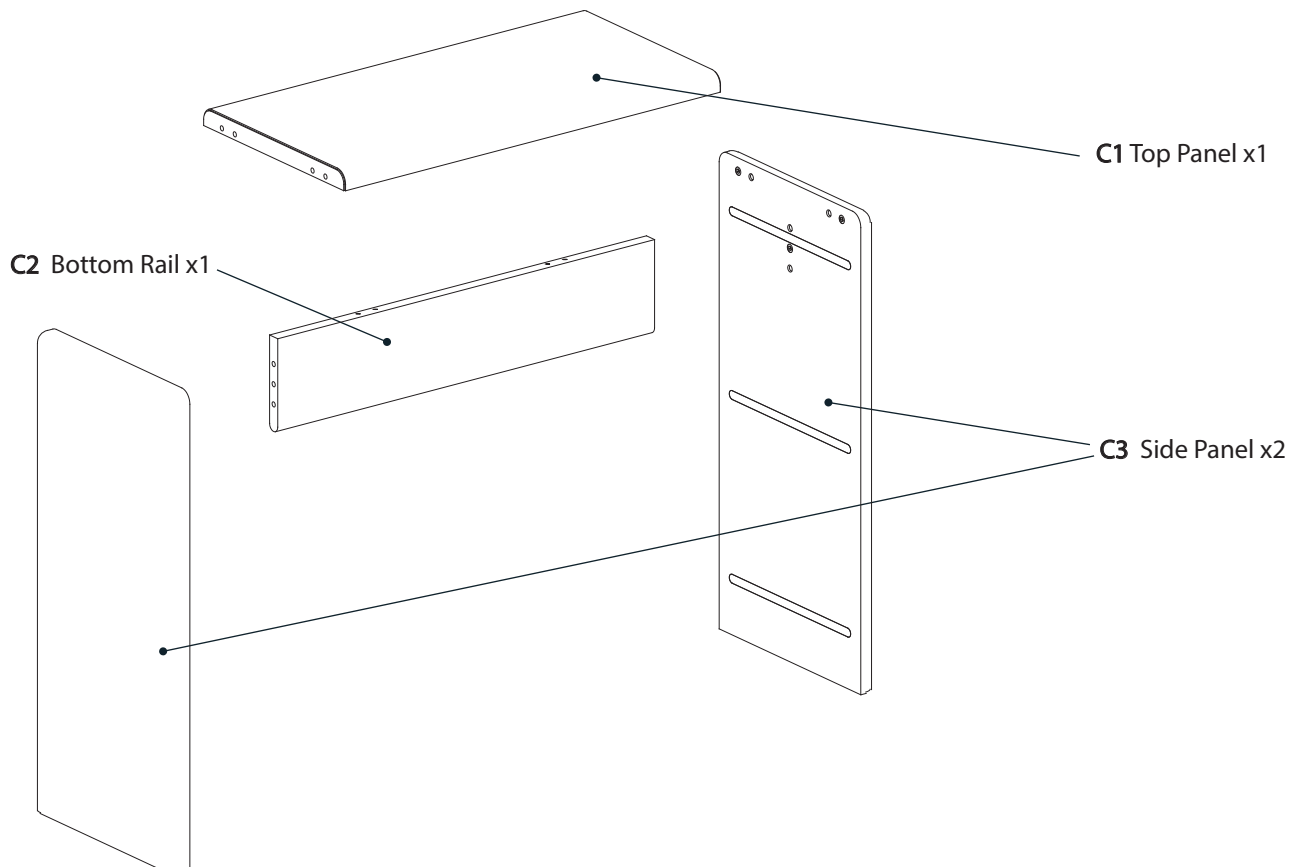
H3 Wooden Dowel
(8x35mm) x10



H4 Steel Dowel x 8



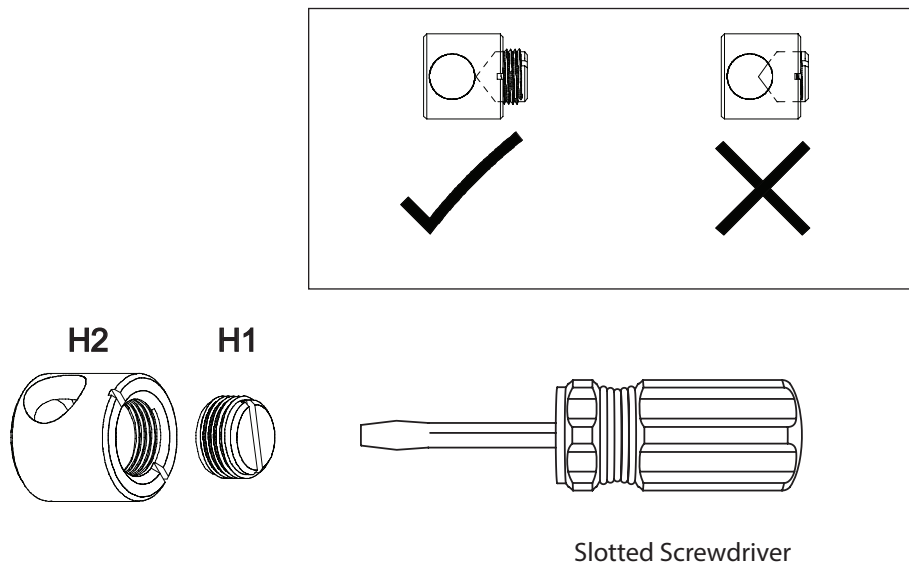
H5 Wedge x 1



Step 2 - Combine barrel housings and set screw.

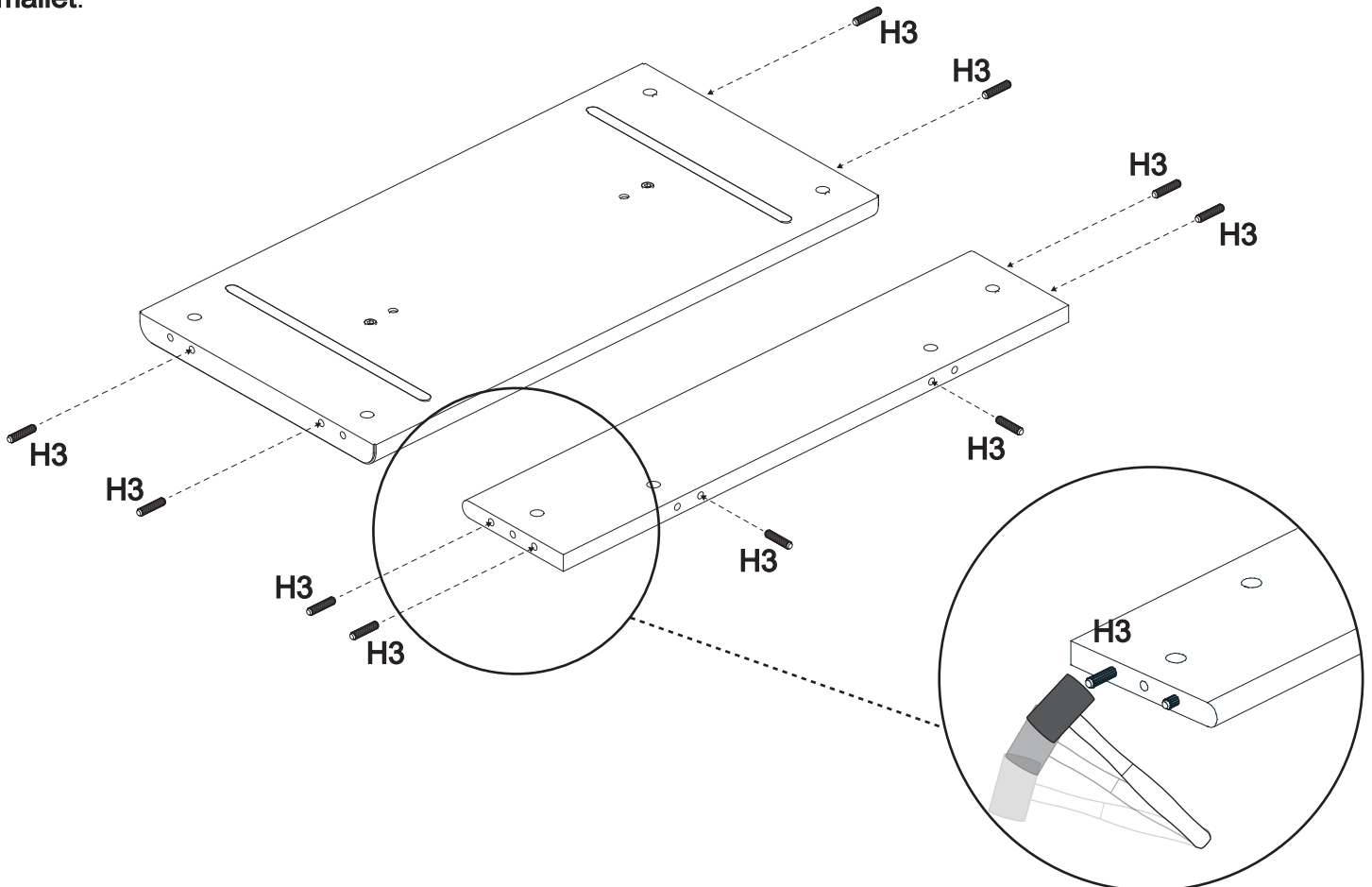
Using a slotted screwdriver, partially thread **8x set screws H1** into the **8x barrel housings H2**.

DO NOT thread more than a few clockwise turns!



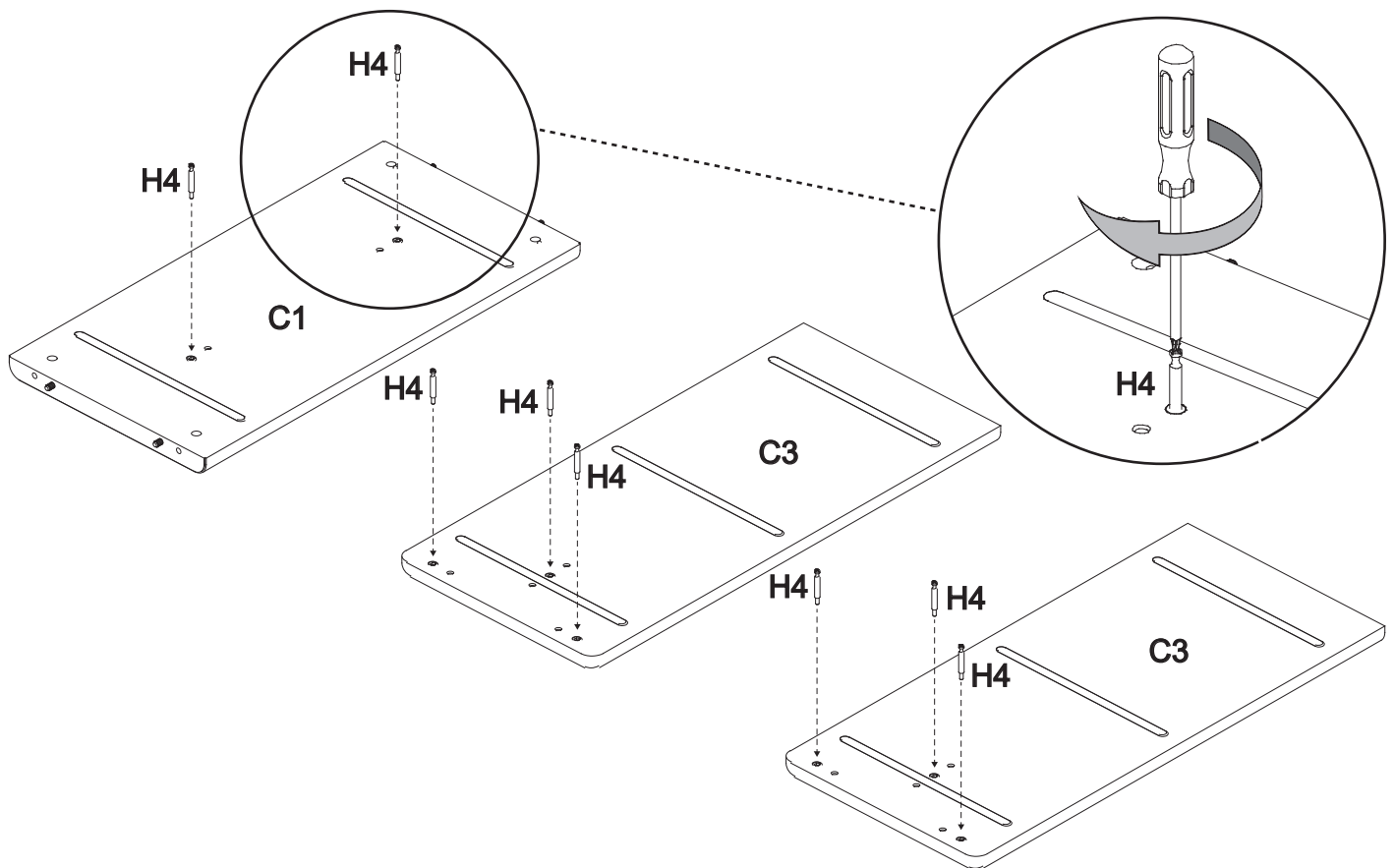
Step 3 - Attach dowels to top panel and bottom rail.

Fix **10x wooden dowels H3** into their slots on the **top panel C1** and **bottom rail C2** by using a mallet.



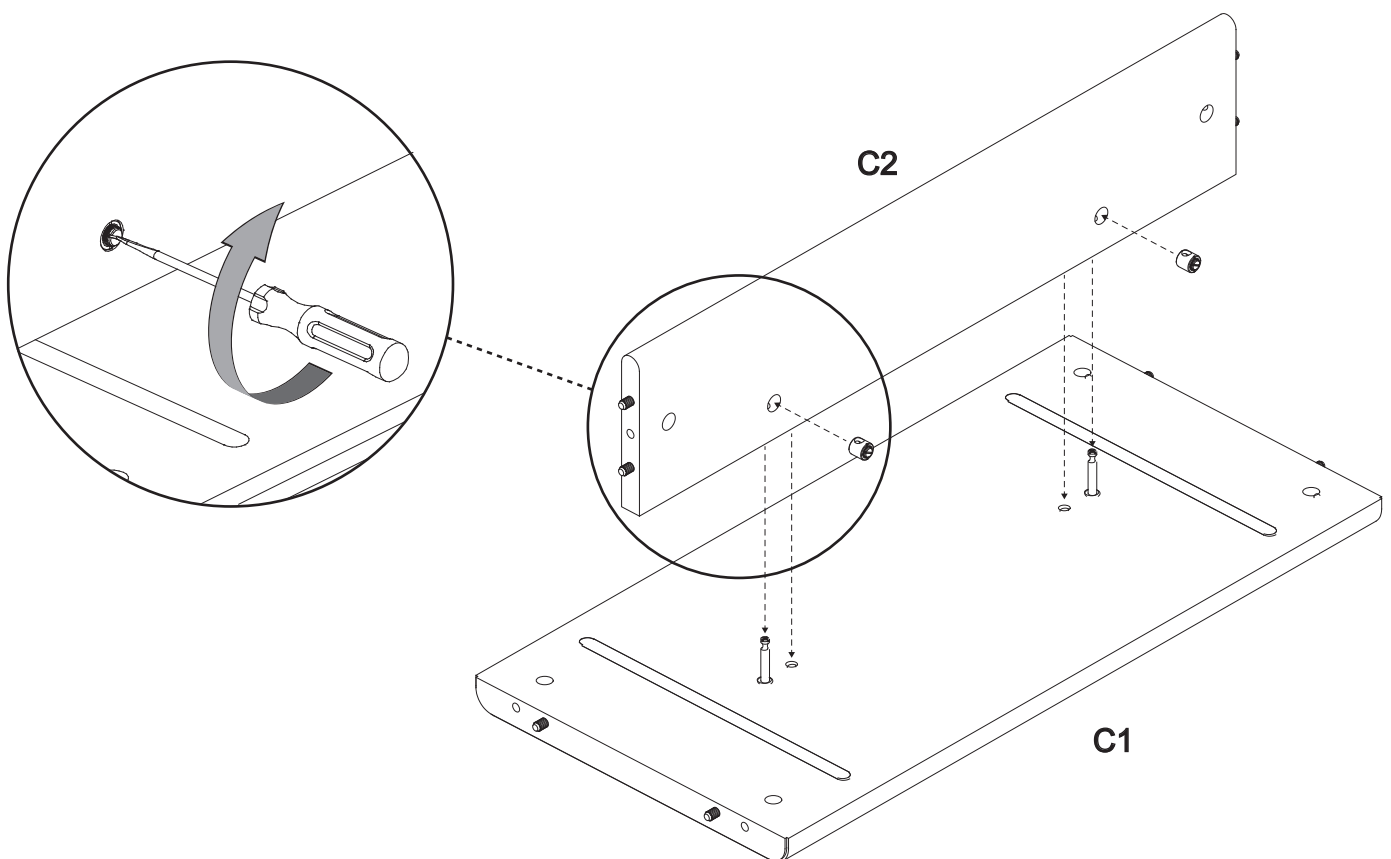
Step 4 - Attach steel dowels to top panel and side panels.

Using a **screwdriver**, thread **8x steel dowels H4** into the threaded inserts on the **2x side panels C3** and **top panel C1** as shown.



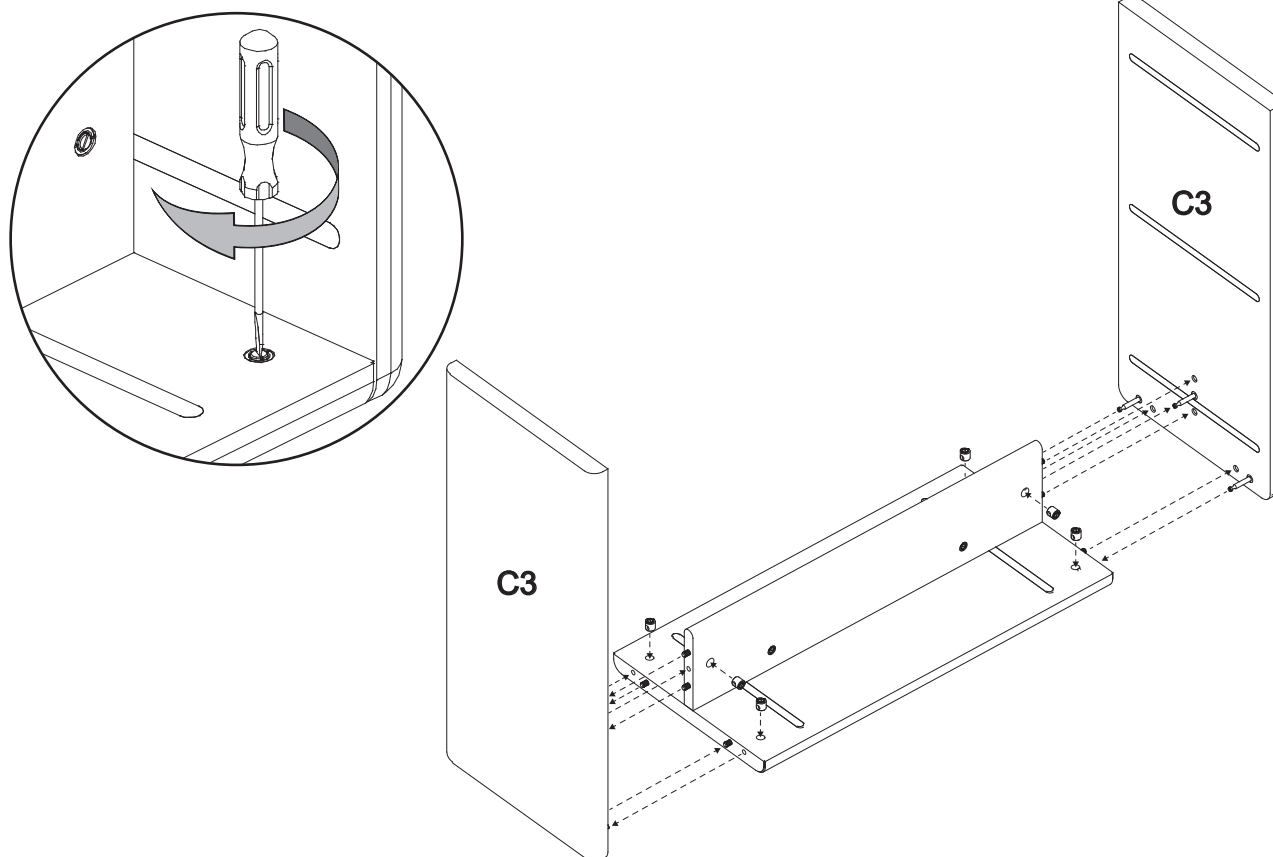
Step 5 - Attach bottom rail to top panel.

Place the **2x barrel housings** on the **bottom rail C2**, put it onto the **top panel C1** and tighten the set screws by using a screwdriver as shown below.



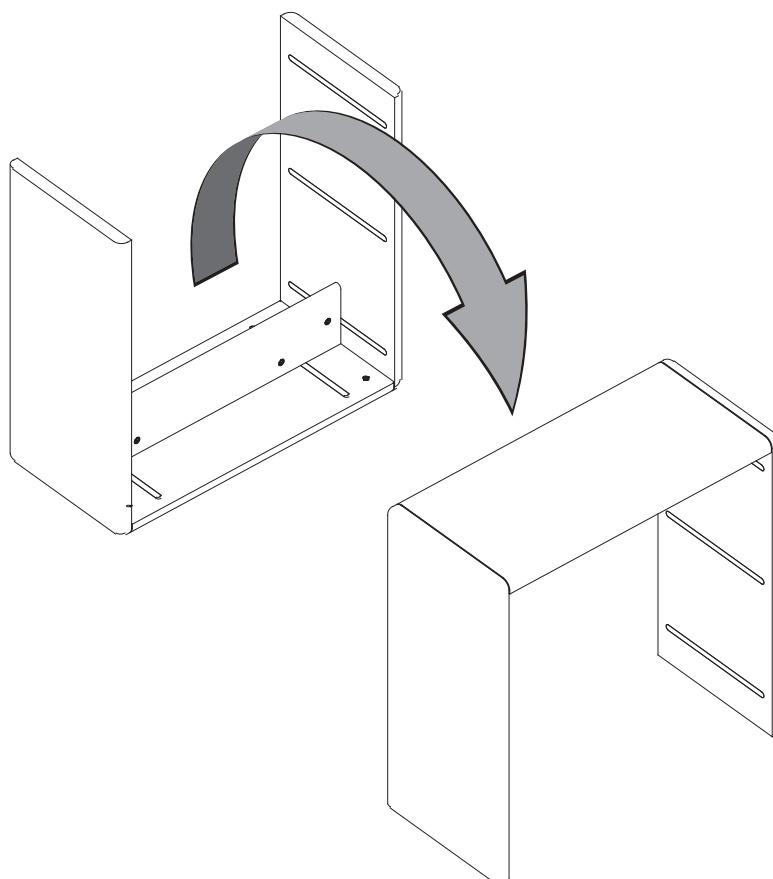
Step 6 - Attach side panels to top panel.

Place the **6x barrel housings** on the **bottom rail C2** and **top panel C1**, place the **side panels C3** onto the sides of the top panel and tighten the set screw by using a screwdriver as shown below.



Step 7 - End of the assembly.

Lift the unit to standing position carefully.



Step 8 -

Use the plastic wedge on uneven surface if required.

