

CASSA
BED DRAWER
(for Queen and King Beds)

MOSS
DESIGN

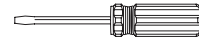
Placement and Maintenance

Your Cassa Bed Drawer (for Queen and King beds) is designed for indoor use on level floors. Furniture with hard lacquer, wax polish or painted surface should be dusted with a dry cloth. Spillages should be wiped up as soon as possible. Our furniture will endure most temperatures in the home but it is best to avoid placing furniture next to heat sources such as radiators or fires.

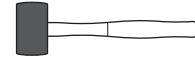
Step 1

Unpack and identify the parts listed below. The assembly workspace should be a non-marring **surface such as carpet**. For missing hardware pieces, visit our website www.mossdesign.us

Tool Required:



Slotted Screwdriver



Mallet or Hammer

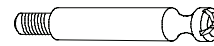
Tool Provided:



H1 Set screw x 20



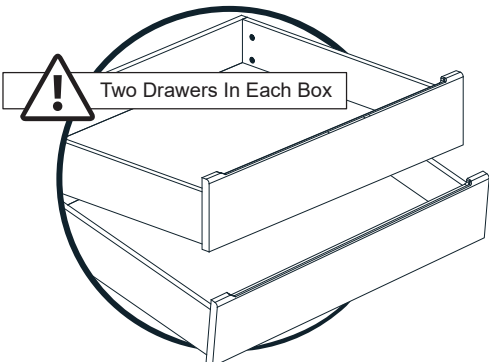
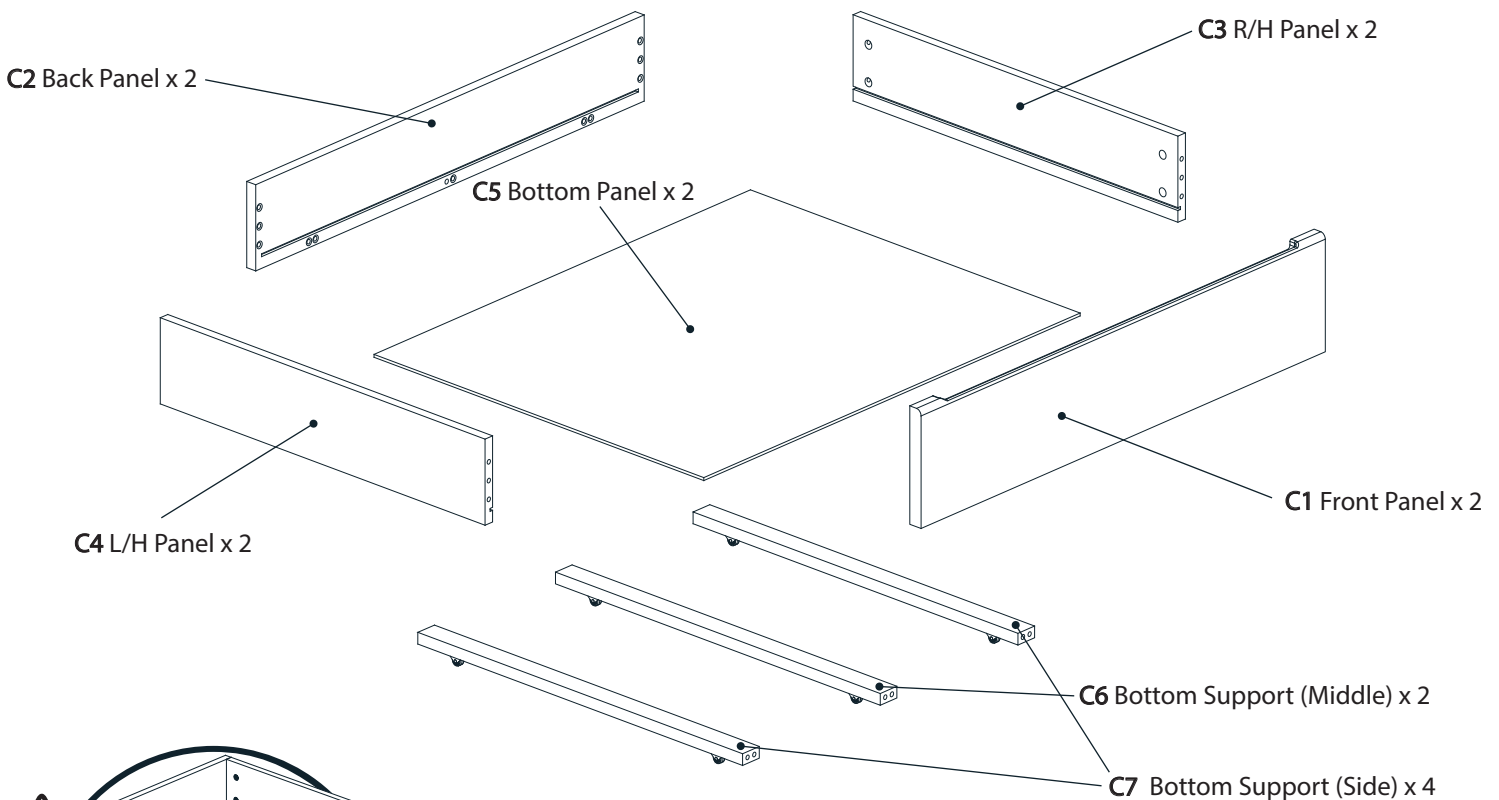
H2 Barrel Housing x 20



H3 Steel Dowel
(52mm) x 20



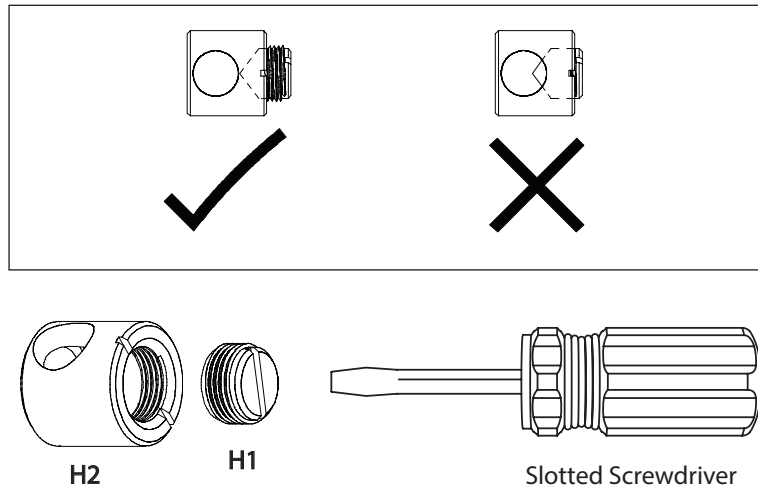
H4 Wooden Dowel
(8x35mm) x 28



Step 2 - Combine barrel housings and set screws.

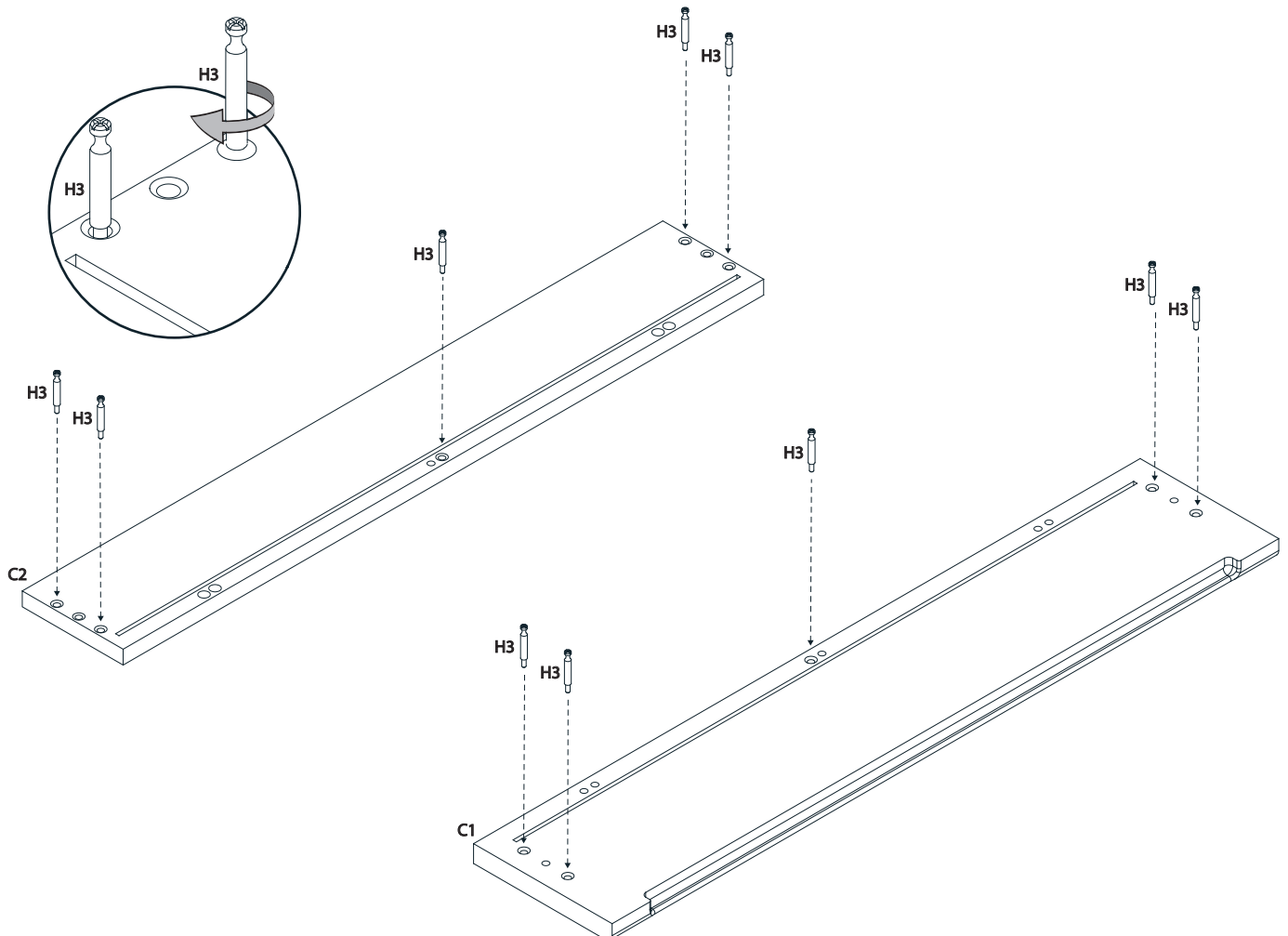
Using a slotted screwdriver, partially thread **20 set screws H1** into the **20 barrel housings H2**.

DO NOT thread more than a few clockwise turns!



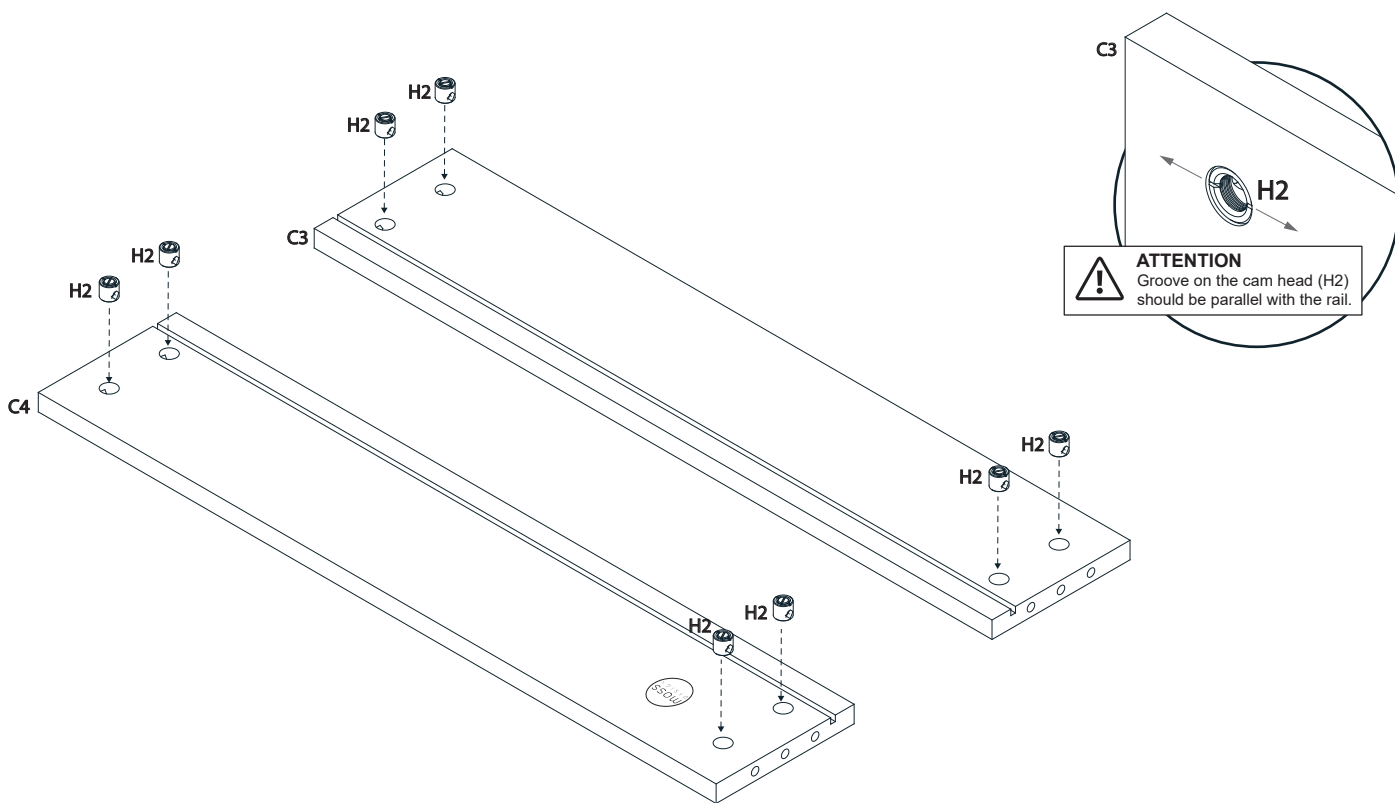
Step 3 - Attach Steel Dowels to front and back panels.

Fix **5x steel dowels H3** to front panel **C1** and **5x steel dowels H3** to back panel **C2** as shown below.



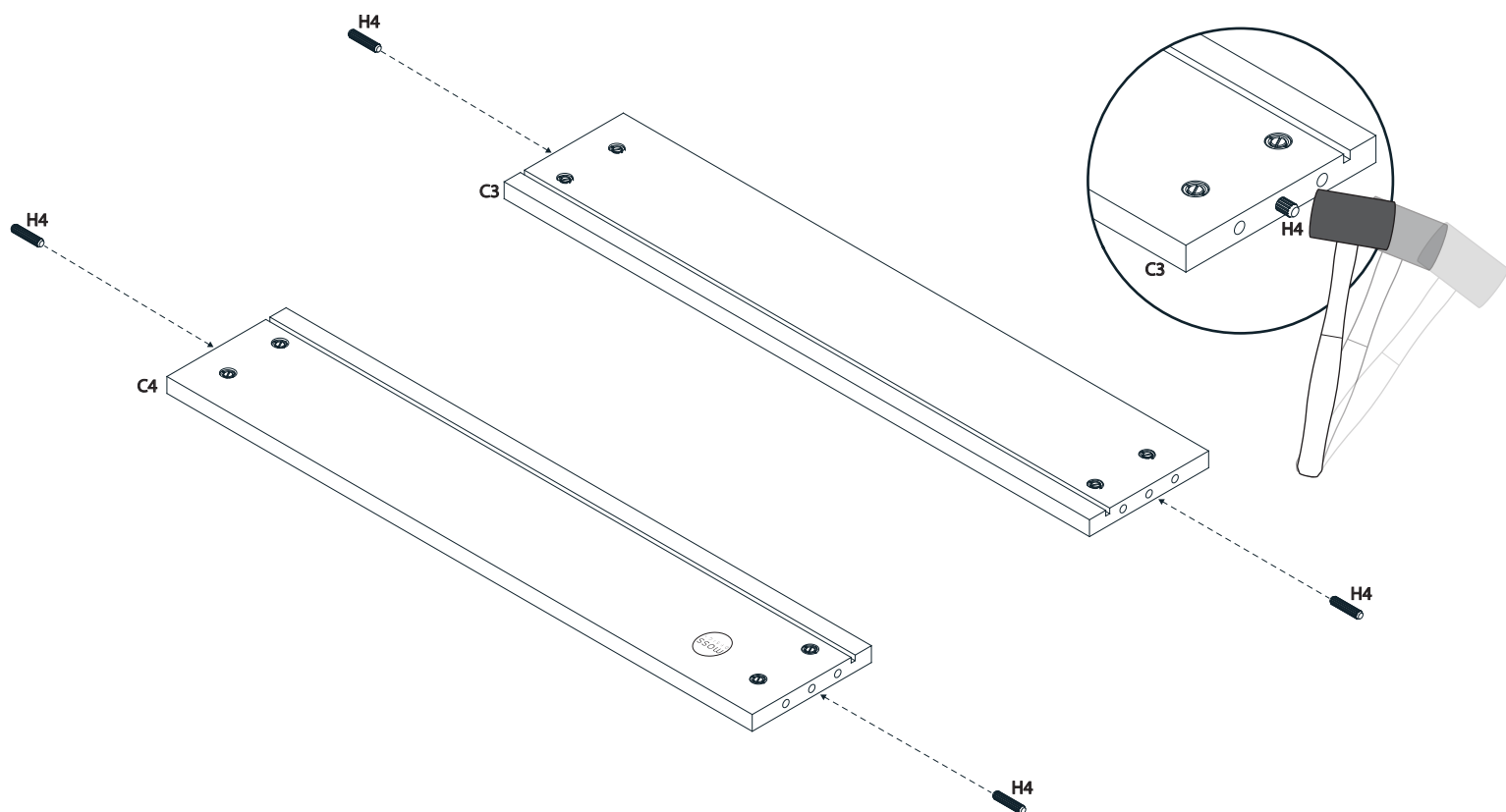
Step 4 - Attach barrel housing to left and right panels.

Place 8x barrel housings H2 to L/H panel C4 and R/H panel C3 as shown below.



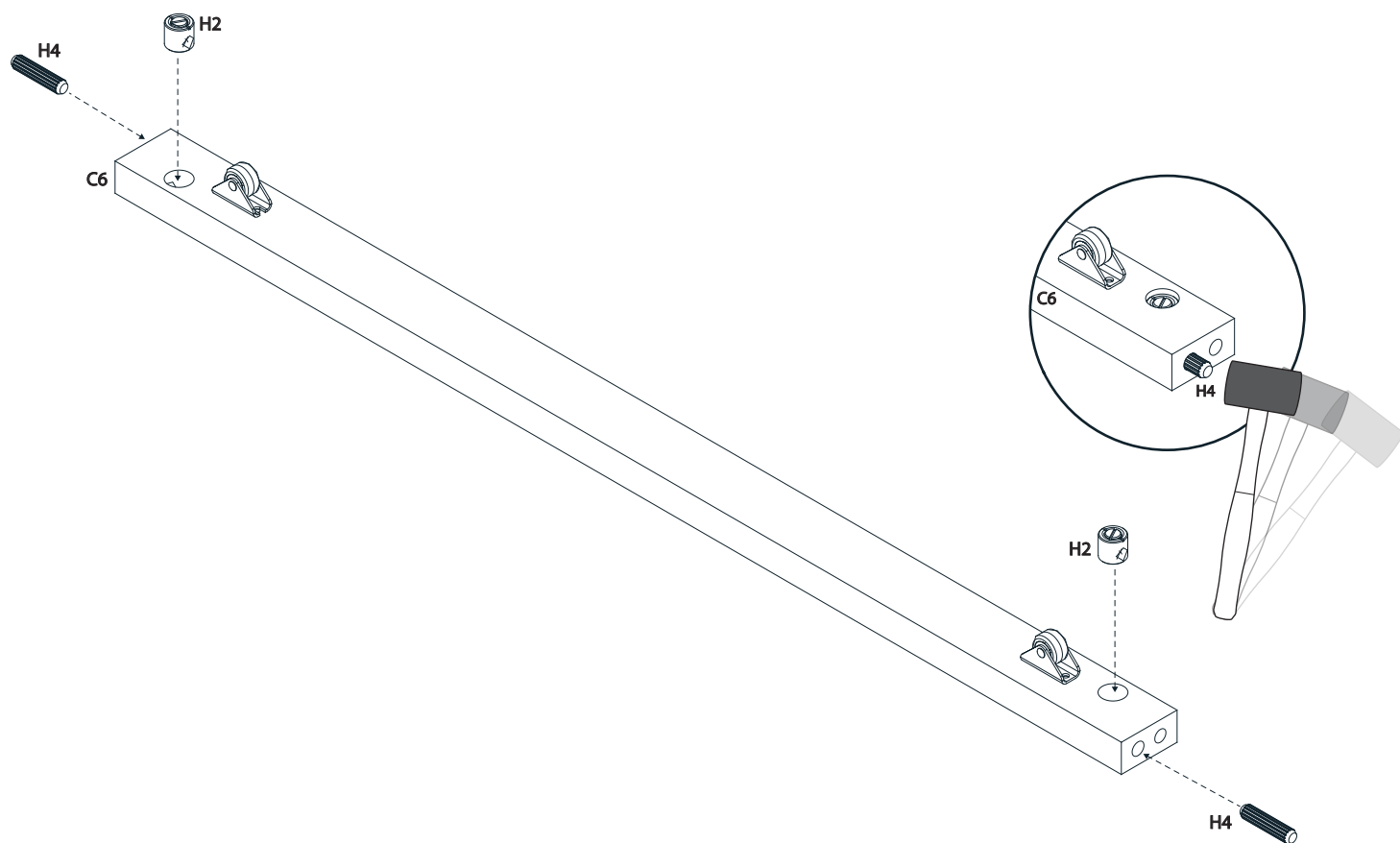
Step 5 - Attach wooden dowels to left and right panels.

Place 4x wooden dowels H4 to R/H panel C3 and L/H panel C4 by using a mallet as shown below.



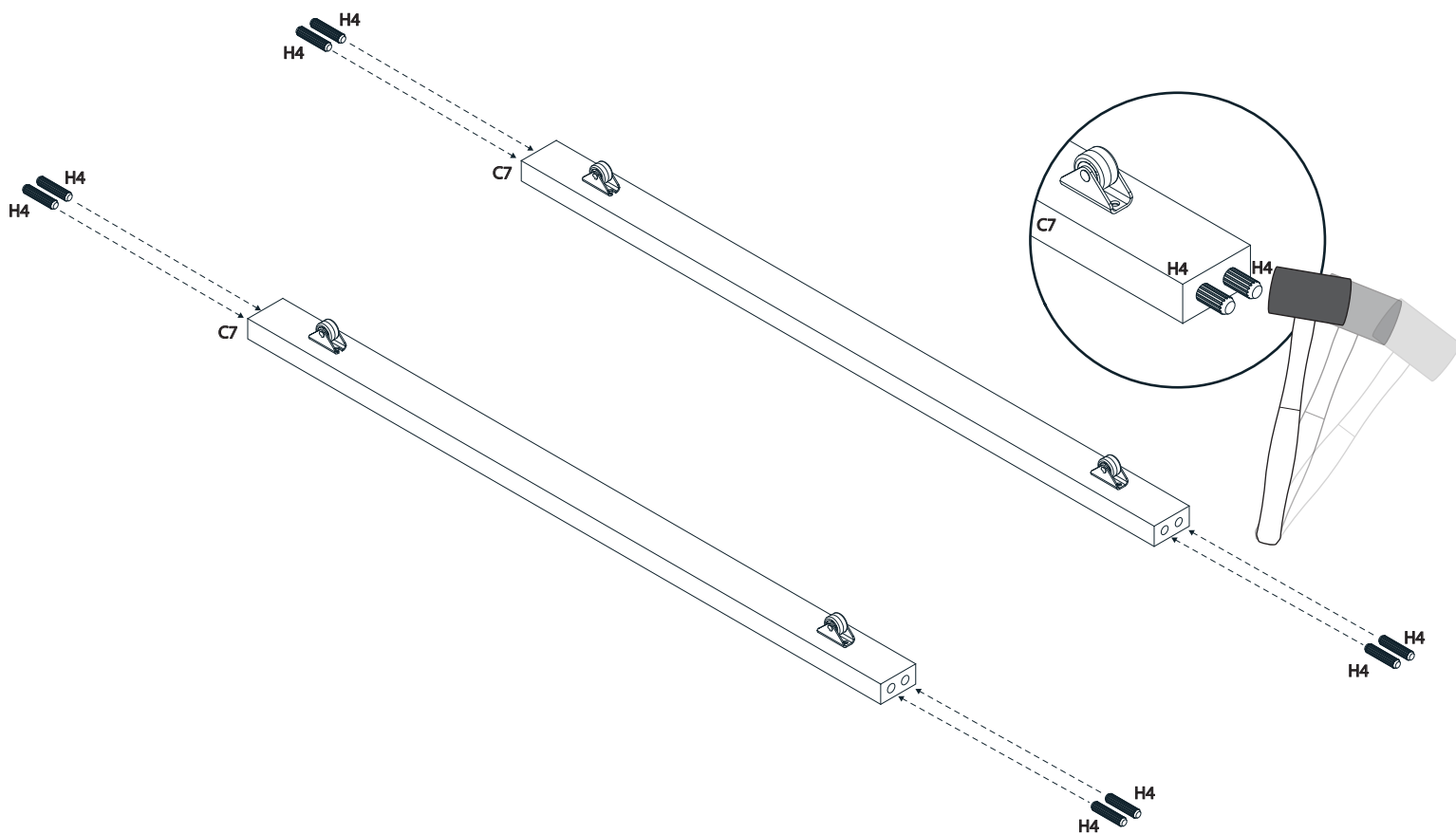
Step 6 - Attach wooden dowels and barrel housings to bottom support (middle).

Place **2x wooden dowels H4** and **barrel housings H2** to bottom support (middle) **C6**.



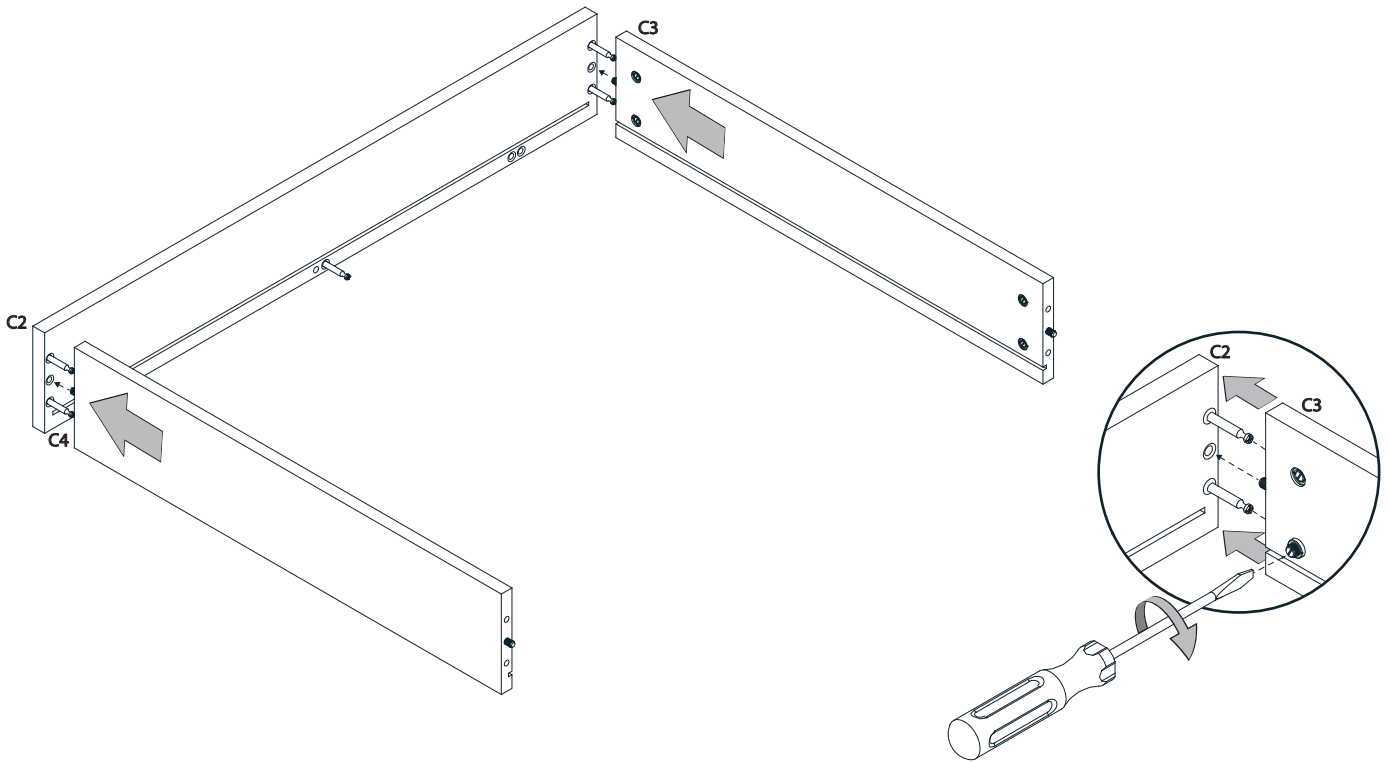
Step 7 - Attach wooden dowels to bottom support (sides).

Place **8x wooden dowels H4** to bottom supports (sides) **C7** by using a **mallet** as shown below.



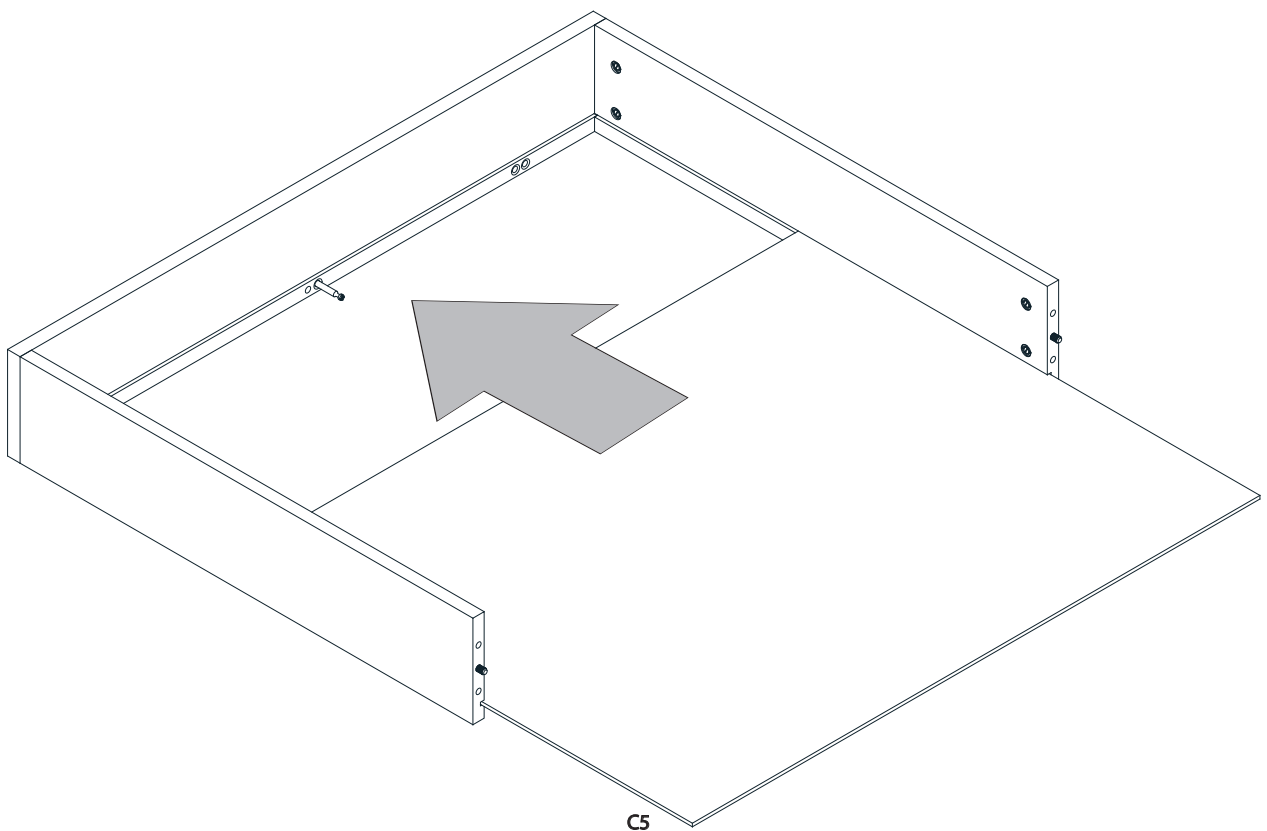
Step 8 - Attach the side panels to back panel.

Fix the R/H panel C3 and L/H panel C4 to back panel C2 by tightening the set screws using a screwdriver, as shown below.



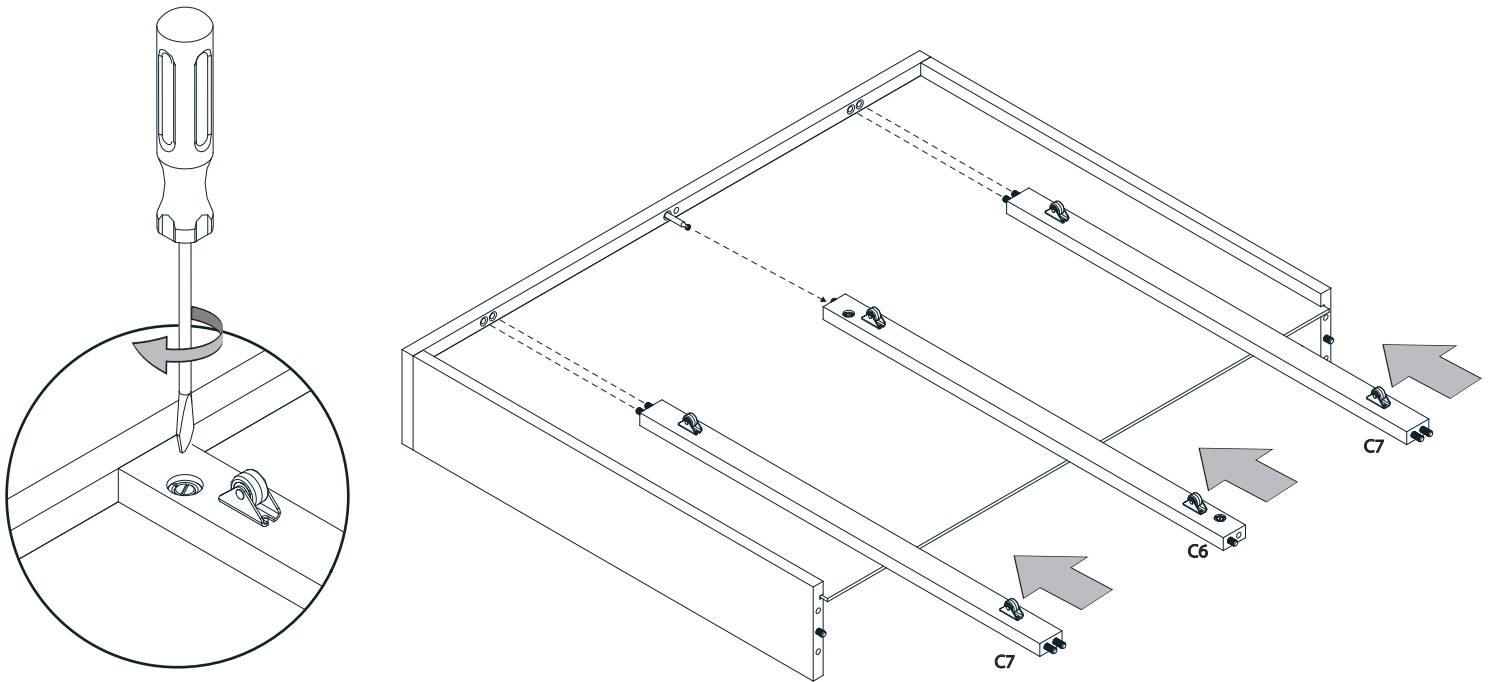
Step 9 - Attach bottom panel C5.

Place the bottom panel C5 inside the grooves on the side panels (C3 and C4) and back panel C2.



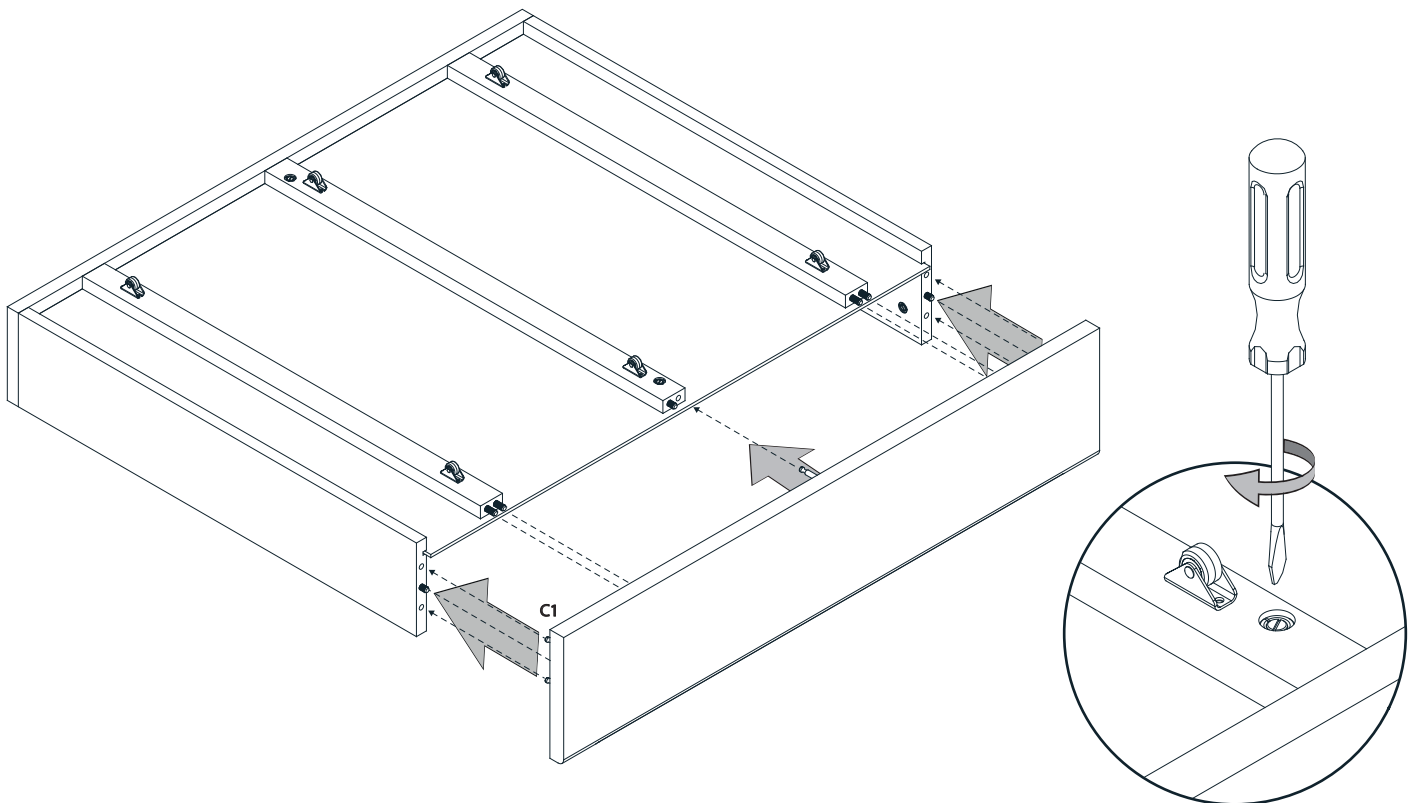
Step 10 - Attach bottom supports.

Attach the **3x bottom supports (C6 and C7)** under the drawer as shown.

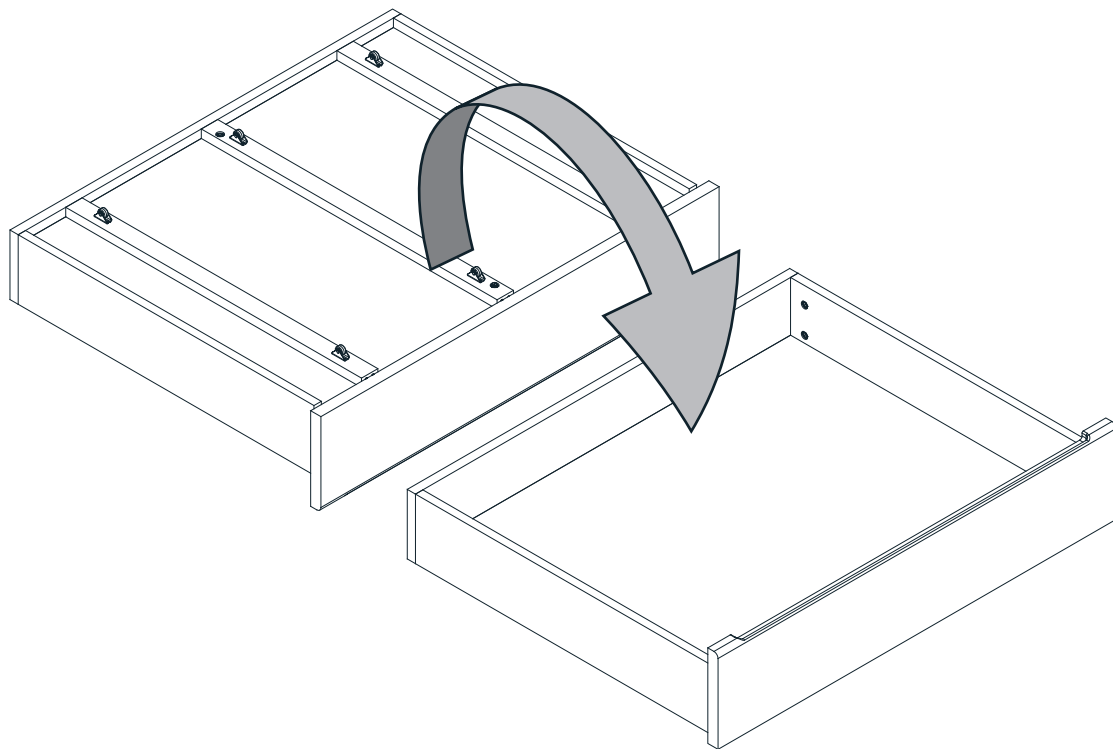


Step 11 - Attach the front panel.

Place the **front panel C1** to the front edges of the **side panels (C3 and C4)** and tighten the **set screws H1** on the **bottom support C6** and the **side panels (C3 and C4)**.



Step 12 - End of the assembly.



Usage:

4 drawers can fit under the bed.

