

CAISSON CREDENZA

MOSS DESIGN

Placement and Maintenance

Your Caisson Credenza is designed for indoor use on level floors. Furniture with hard lacquer, wax polish or painted surface should be dusted with a dry cloth. Spillages should be wiped up as soon as possible. Our furniture will endure most temperatures in the home but it is best to avoid placing furniture next to heat sources such as radiators or fires.

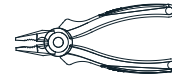
Step 1

Unpack and identify the parts listed below. It is required to have **2 people to carry and assemble** the units over 50lbs. The assembly workspace should be a non-marring **surface such as carpet**. For missing hardware pieces, visit our website www.mossdesign.us

Tool Required:



Mallet or Hammer



Pliers

Tool Provided:



T1 M4 Allen Key x 1



H1 Wooden Dowel
(8x35mm) x 4



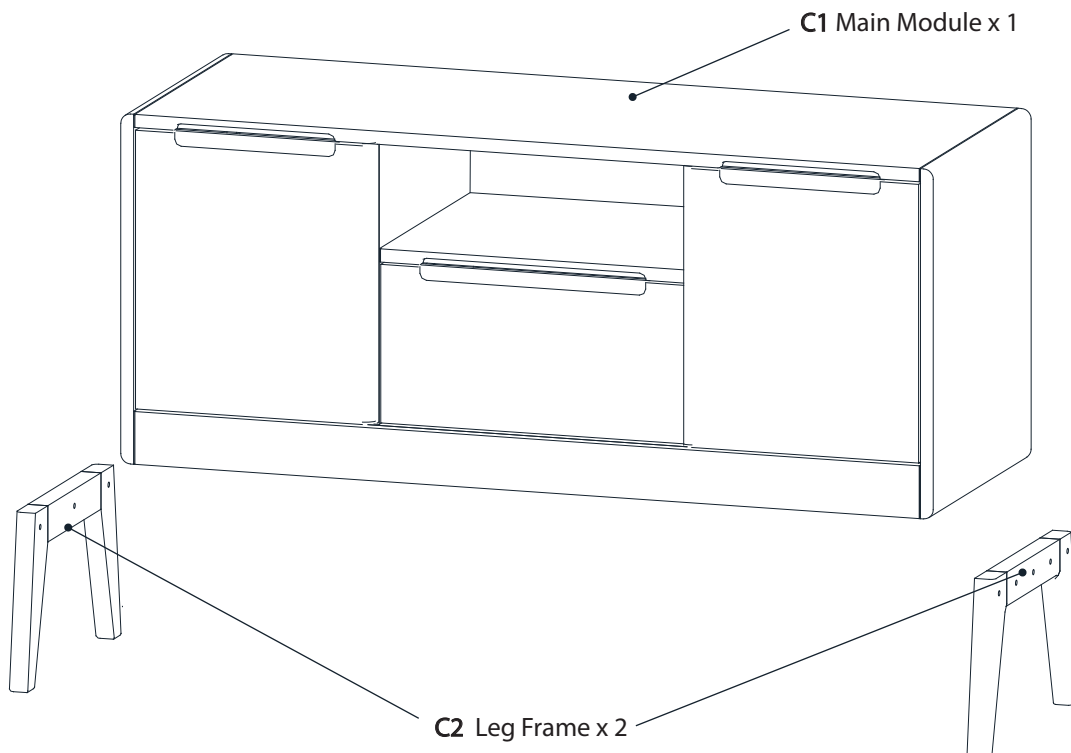
H2 Bolt
(6x40mm) x 6



H3 Screw (3,5x16) x 2 pcs

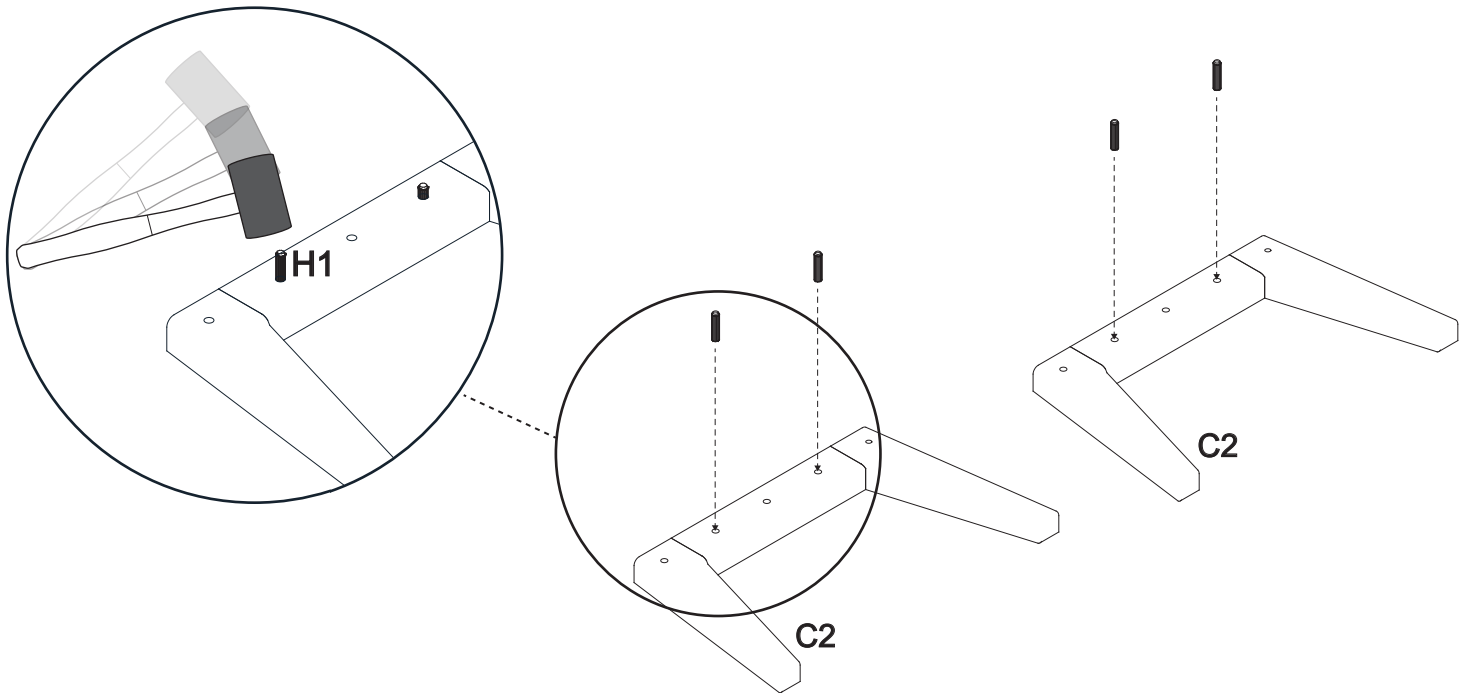


H4 Wedge x 1



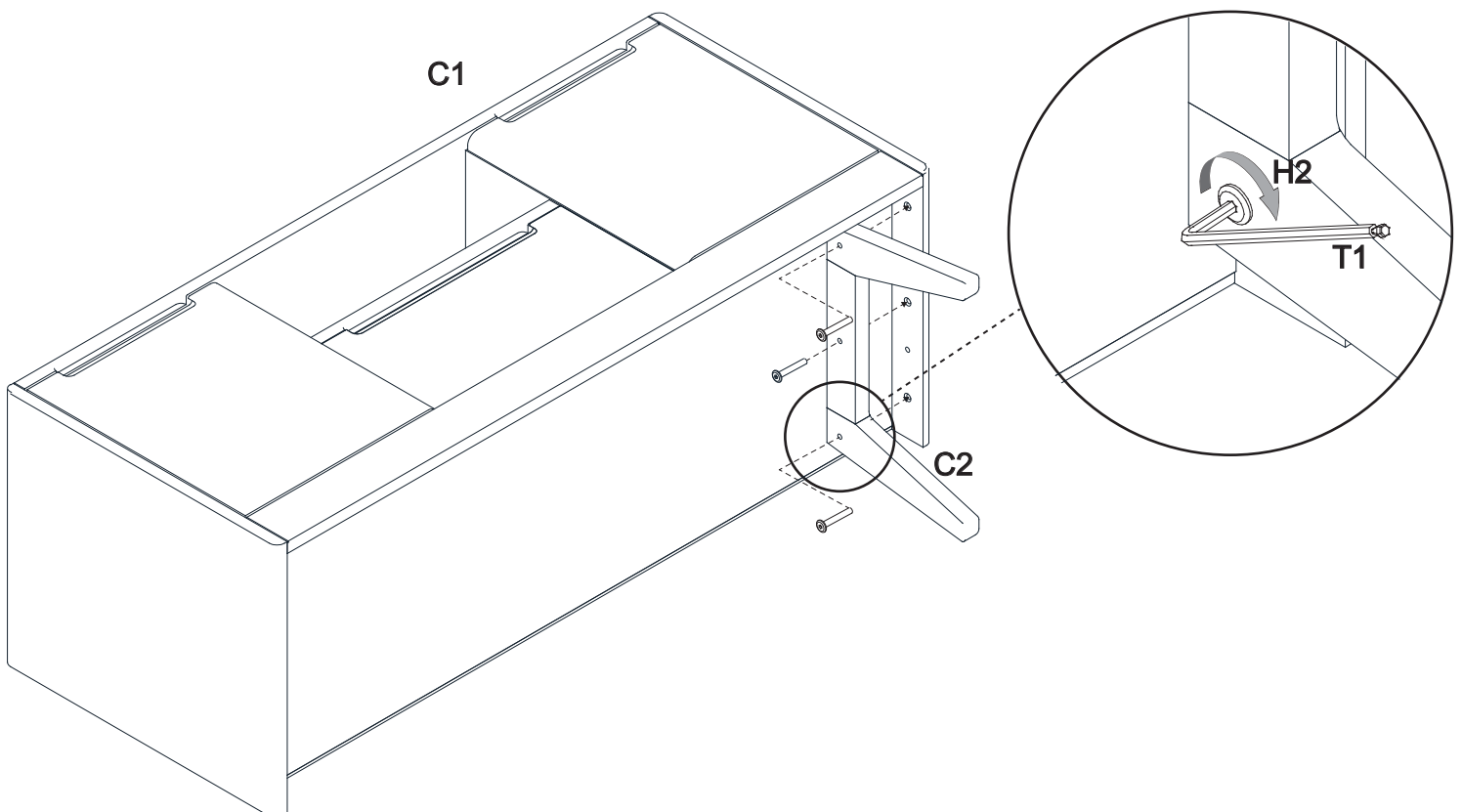
Step 2 - Insert dowels into the holes on the leg frames.

Insert **4 wooden dowels H1** into the holes on **two leg frames C2** by using a soft hammer.



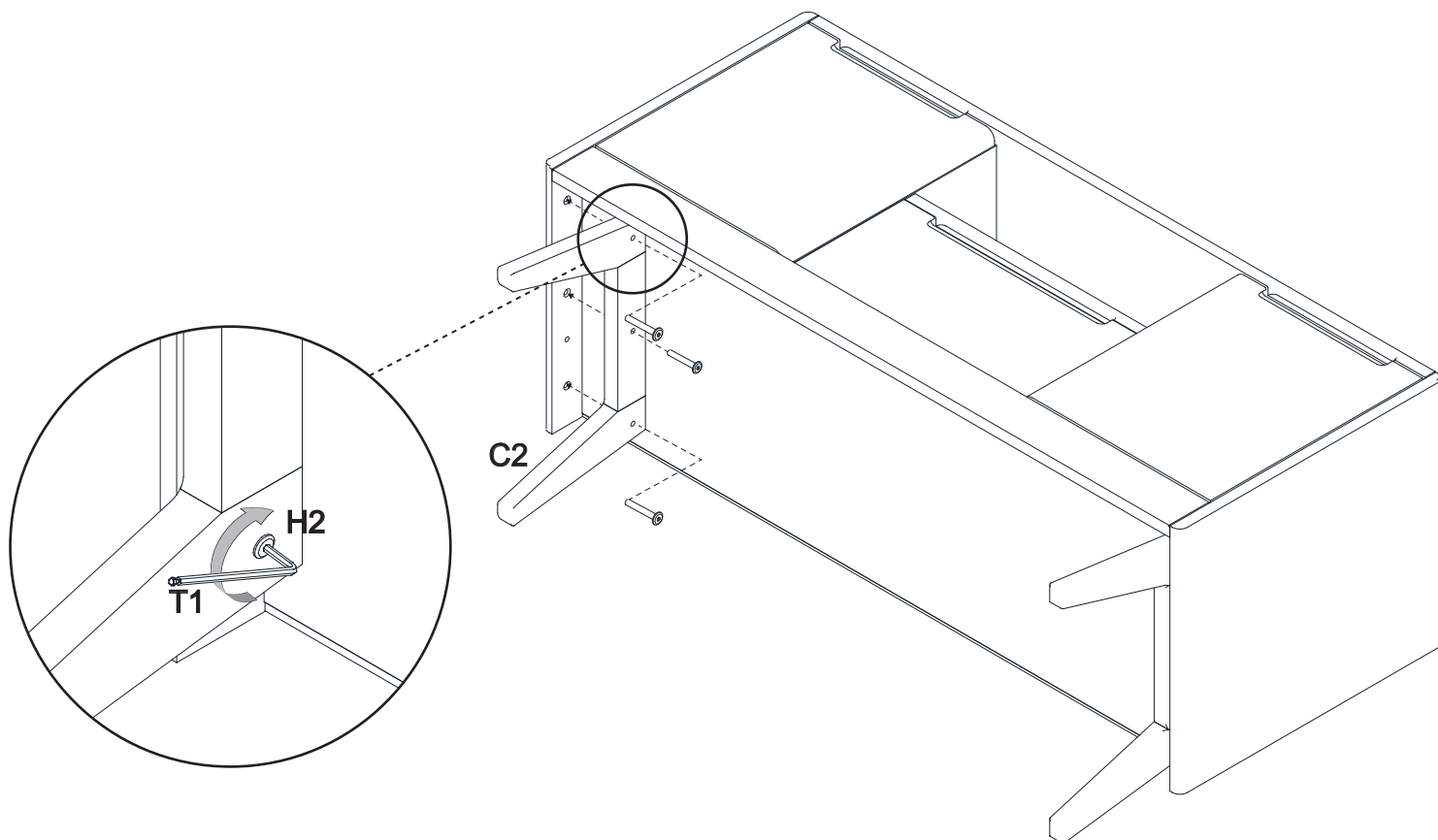
Step 3 - Attach the first leg frame to the main module.

Attach the **leg frame C2** to the **main module C1** by using **3 bolts H2** as shown below. Tighten the bolts using **the allen key T1**.



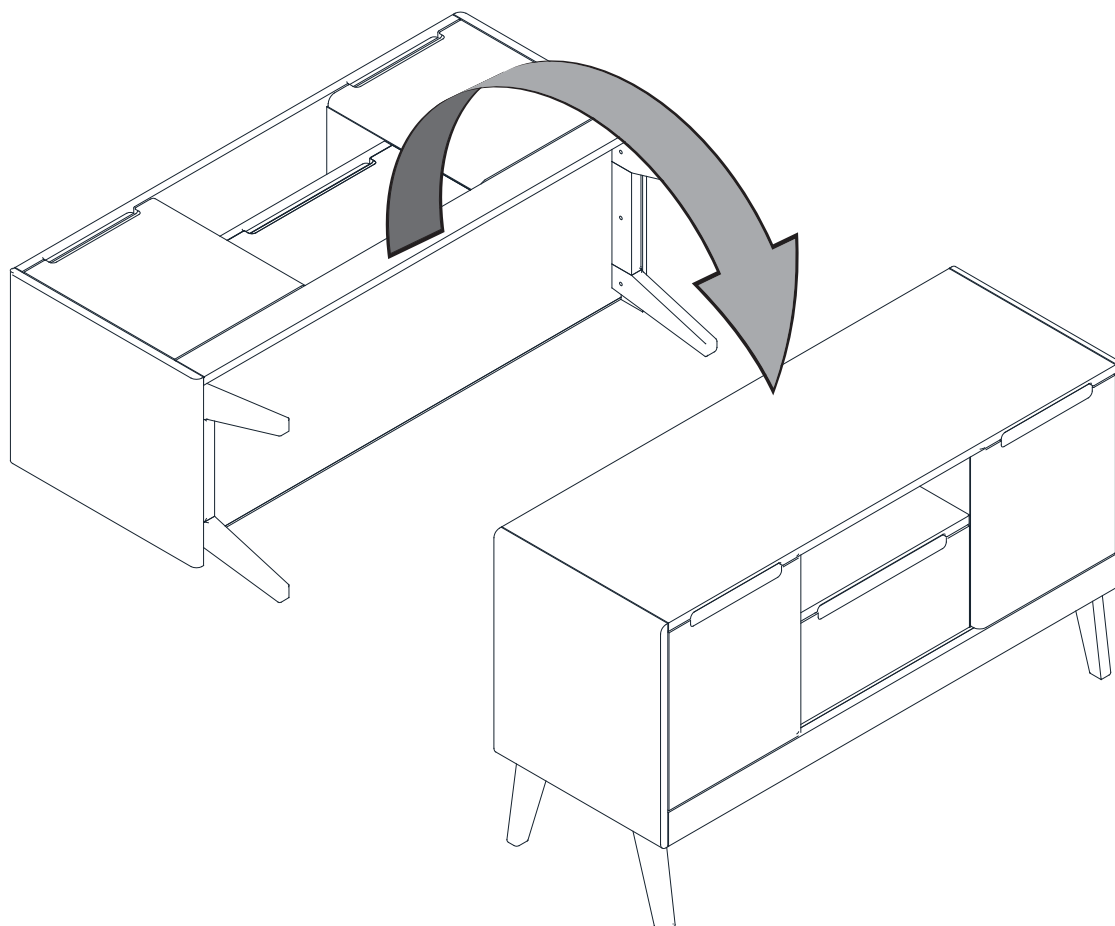
Step 4 - Attach the second leg frame to the main module.

Attach the **leg frame C2** to the **main module C1** by using **3 bolts H2** as shown below. Tighten the bolts using **the allen key T1**.

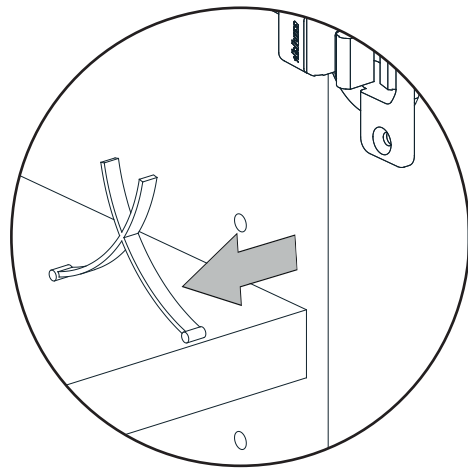
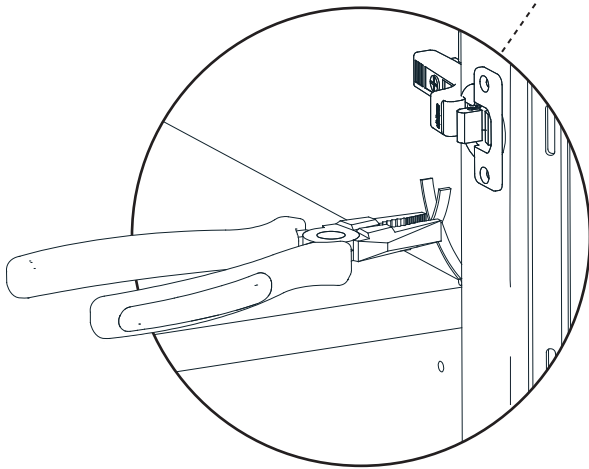
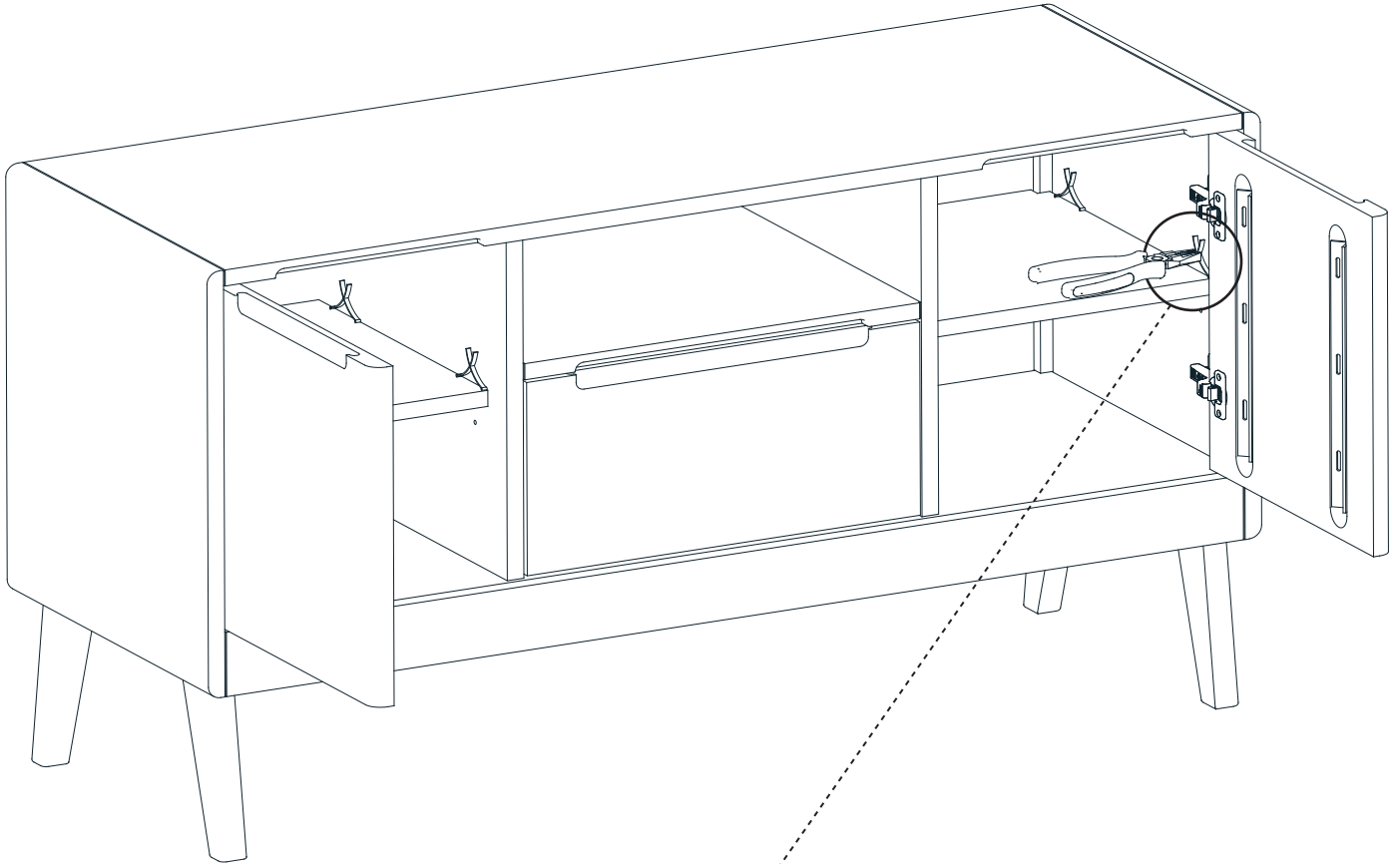


Step 5 - End of the assembly.

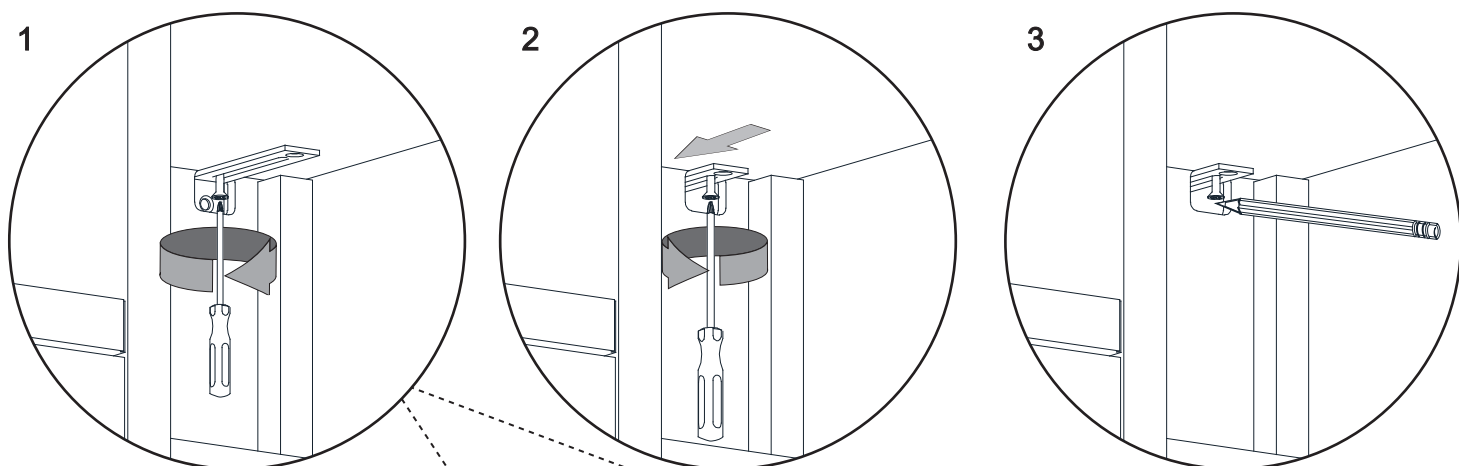
Lift the unit to standing position carefully.



Step 6 - Open the door and remove plastic retainers by using pliers.



Step 7 - Wall Fixing instructions



1 Place your product in the final position. Loosen the screws on the metal brackets just enough so that the slotted bracket can be extended to meet the wall.

2 Then re-secure the screws.

3 Mark the wall for drilling through the hole in the short face of the bracket.

Then move the unit away from the wall so that the marked holes can be drilled.

Ensure you use an appropriate fixing type for your wall (see page 6). Then return the unit to its final position.

4 Secure the unit to the wall fixings with own screws through the brackets.

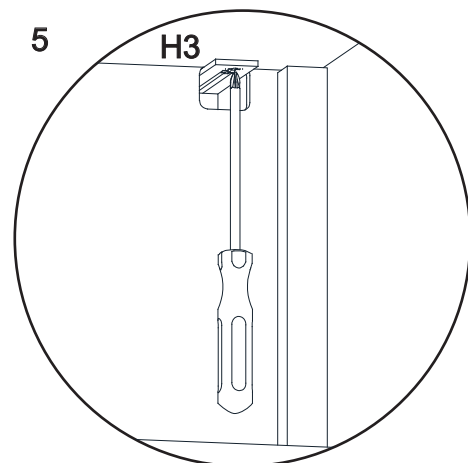
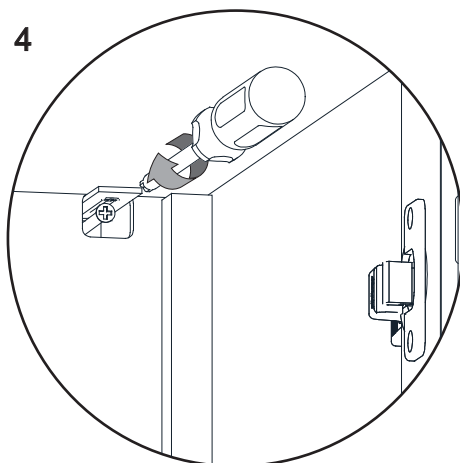
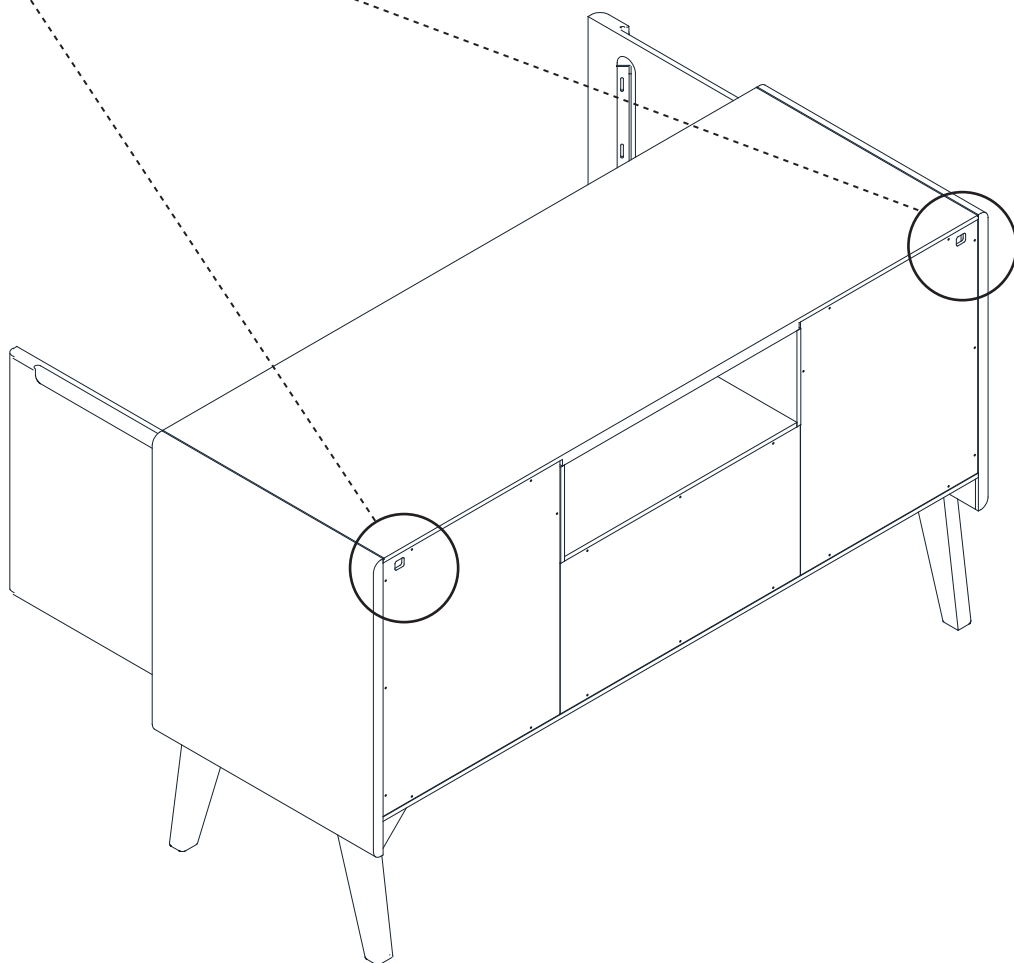
5 Finally add the extra securing screws (A) to the holes in the long faces of the brackets and tighten.




Warning

Serious or fatal crushing injuries can occur from furniture tipping over.

To prevent this furniture tipping over it must be permanently fixed to the wall.



A guide to wall mounting and fixings

 **Warning**
Serious or fatal crushing injuries can occur from furniture tipping over.
To prevent this furniture from tipping over it must be permanently fixed to the wall.

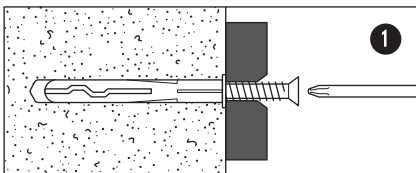
Wall fixing screws are not included, since different wall materials require different types of screws / fixings.
Please ensure you use the correct screws / fixings for your type of walls and seek professional advice if you are not sure.

Failure of the product due to incorrect fixings is the responsibility of the installer.

Important: When drilling into the walls always check that there are no hidden wires or pipes.

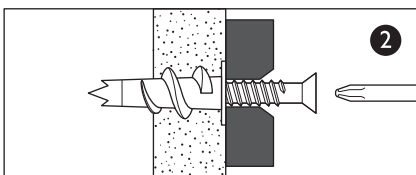
Types of walls

You can use one of the following types of wall plug if your walls are made of brick, breezeblock, concrete, stone or wood.



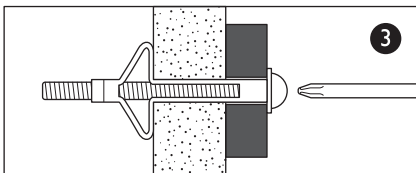
1. General Purpose wall plug

Generally aerated blocks should not be used to support heavy loads, use a specialist fitting in this case. For light loads, general purpose wall plugs can be used.



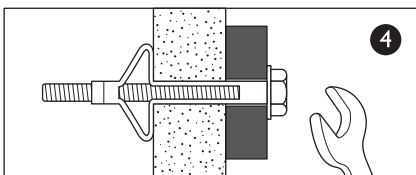
2. Plasterboard wall plug

For use when attaching light loads on to plasterboard partitions.



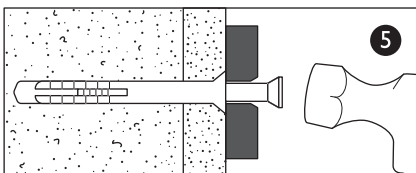
3. Cavity Fixing wall plug

For use with plasterboard partitions or hollow wooden doors.



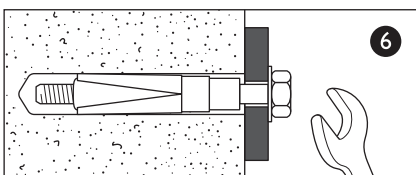
4. Cavity Fixing - Heavy Duty wall plug

For use when fitting or supporting heavy loads such as shelving, wall cabinets and coat racks.



5. Hammer Fixing wall plug

For use with walls stuck with plasterboard. The hammer fixing allows it to be fixed to the wall rather than the plasterboard. Always check the fixing is secure to the retaining wall.



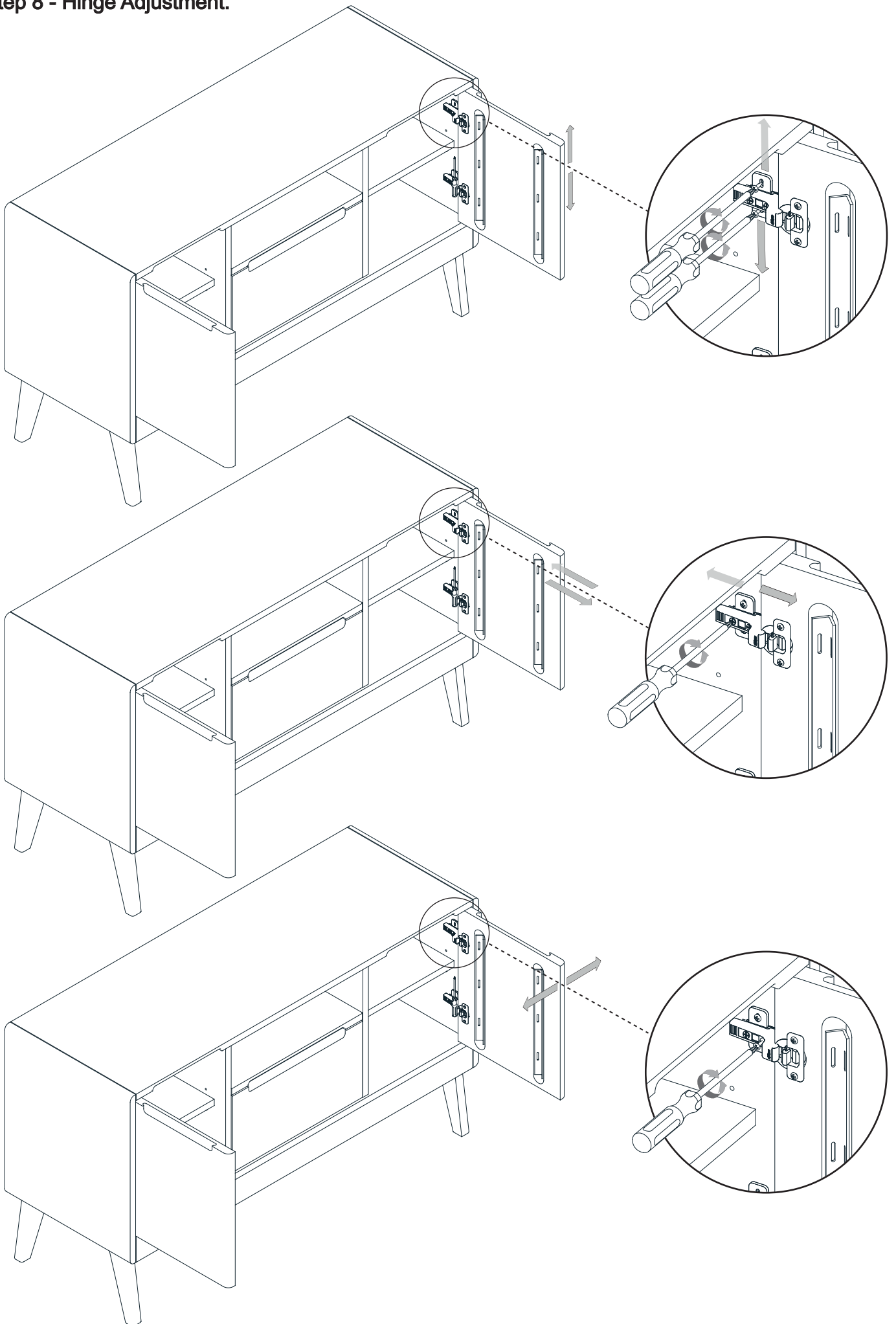
6. Shield Anchor wall plug - Heavy loads

For use with heavier loads such as TV and Hi-Fi speakers and satellite dishes etc.



Safety: Periodically check all fittings and wall fixings to ensure they have not come loose and retighten as necessary.

Step 8 - Hinge Adjustment.



Step 9

Use the plastic wedge on uneven surface if required.

