

# Drum Handling

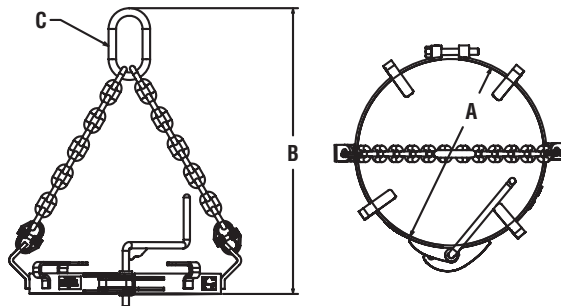
## Model VDC - Vertical Drum Clamp

The Model VDC is used for vertical lifting and transporting of metal drums. Equipped with a past center locking device which secures the clamp tightly to the drum. The Model VDC is capable of handling one drum at a time.



### PRODUCT FEATURES:

- Vertically lift and transport metal drums.
- Lock secures clamp tightly to the drum.
- Built-in rim brackets for easy alignment.



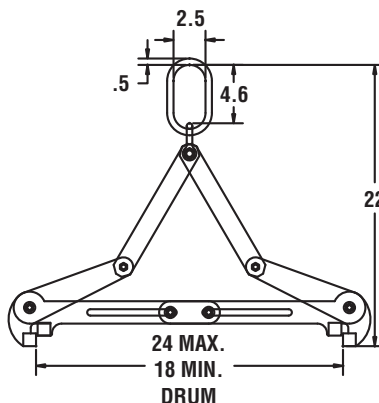
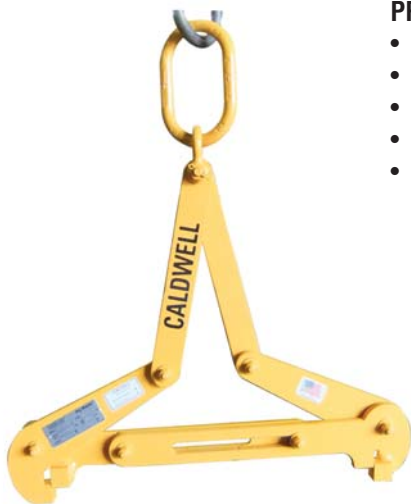
### SPECIFICATIONS

Model Number	Rated Capacity (lbs.)	Drum Diameter	Standard B	Standard C	Weight (lbs.)
VDC-30-55	3000	22-1/2	25	3 x 6	25
VDC-30-30	3000	18-1/2	25	3 x 6	24
VDC-30-20	3000	16-1/2	25	3 x 6	23

## Model VDG - Vertical Drum Grab

### PRODUCT FEATURES:

- This vertical drum grab is ideal for handling open or closed-headed steel\* drums.
- No fasteners, binders, or rings to put around drum.
- Grab allows drums to be closely stored to maximize floor space.
- Grab will not damage drum.
- Complies with ASME standards.



### SPECIFICATIONS

Model Number	Rated Capacity (tons)	Weight (lbs.)
150 - 1	1	19

\*Not recommended for open steel drums containing free flowing liquids or drums with removable lid affixed with a tension band.

NOTE: Dimensions shown in inches.