

Pipe & Manhole Handling

Model CPP - Pipe Pick™

The patented concrete Pipe Pick™ is a quicker, safer, and cleaner way of handling precast concrete pipe.



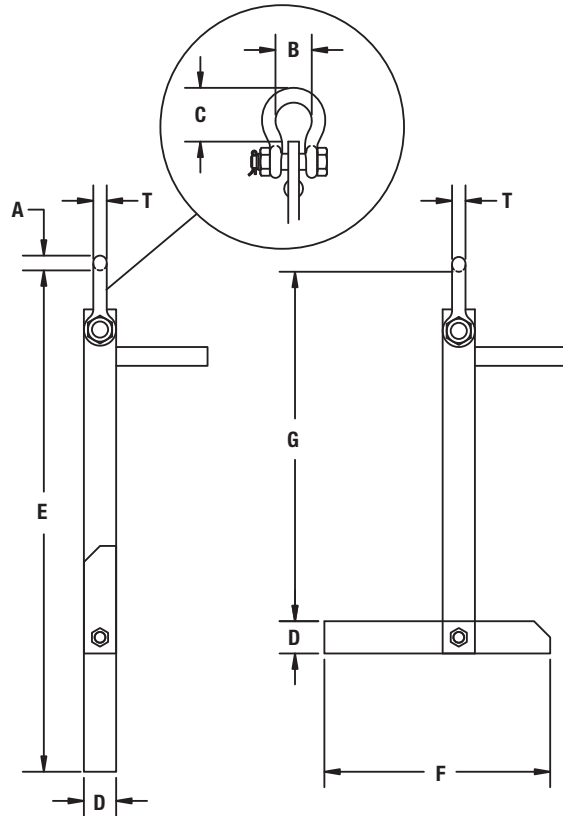
The bigger the job, the more you'll like the **Pipe Pick™**.



PRODUCT FEATURES:

- Simple and fast.
- No need to reach inside the pipe.
- Worker remains above the pipe at all times.

INSTOCK PROGRAM



Patent No. 5,820,186



SPECIFICATIONS

Model Number	Capacity (tons)	Minimum Pipe I.D.	Dimensions (in.)				Bail Dimensions (in.)				Weight (lbs.)
			D	E	F	G	A	B	C	T	
CPP-1.5	1-1/2	12	1.5	23	10.50	16.25	0.62	1.62	2.37	0.62	10
CPP-3	3	14	1.75	27.62	12	20	0.75	1.93	2.93	0.75	18
CPP-5	5	16	2.25	43.5	13	36	1	2.75	3	1	38

Pipe & Manhole Handling

Model CPP - Pipe Pick™

Simply insert the Pipe Pick™ into the lifting hole in the pipe — tilt — to engage the beveled edge — and lift up! You can now lift and set the pipe.



Insert



Tilt

Lift



To remove the Pipe Pick™ once the pipe is set, lower the Pipe Pick™; the counter weighted lift arm automatically falls straight and the Pipe Pick™ can be removed from the pipe.



Lower



Tilt



Remove