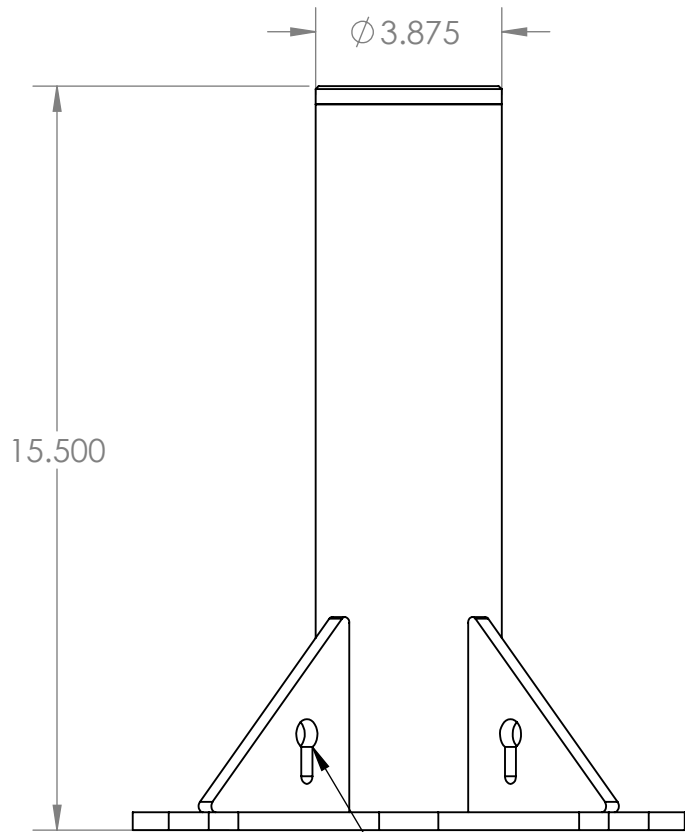


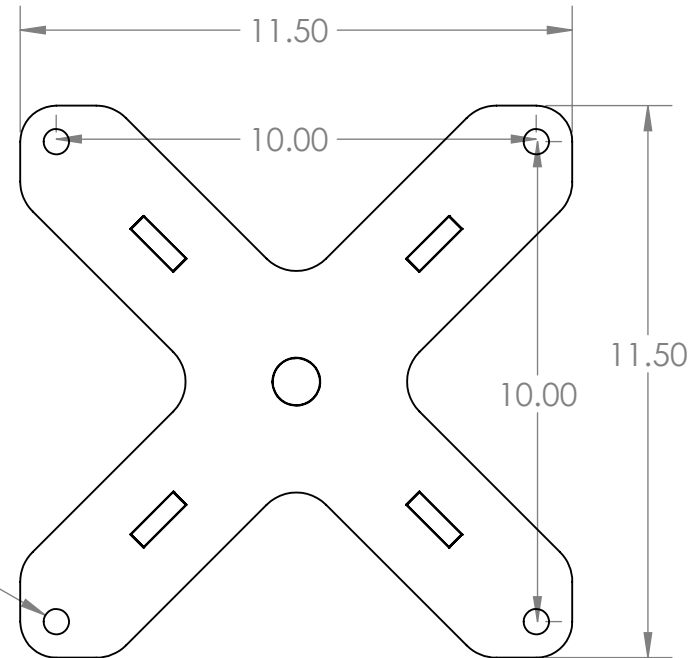
B

B



These "keyholes" are used to store extra cable. There is a ball on the end of the cable that fits this feature.

$\phi .53$  THRU



A

A

UNLESS OTHERWISE SPECIFIED:

DIMENSIONS ARE IN INCHES  
TOLERANCES:  
FRACTIONAL  $\pm 1/16$   
ANGULAR: MACH  $\pm 1/2$  degree  
TWO PLACE DECIMAL  $\pm .02$   
THREE PLACE DECIMAL  $\pm .005$

SPECIFIC TOLERANCES TO BE CALLED OUT IF NEEDED.

MATERIAL

FINISH

DO NOT SCALE DRAWING

DRAWN

CHECKED

ENG APPR.

MFG APPR.

Q.A.

COMMENTS:

NAME

DATE



TITLE:

Pedestal Base

SIZE

Part #

REV

**A**

OZPED2

SCALE: 1:4

WEIGHT:

SHEET 1 OF 1

**PROPRIETARY AND CONFIDENTIAL**  
THE INFORMATION CONTAINED IN THIS DRAWING IS THE SOLE PROPERTY OF OZ LIFTING PRODUCTS. ANY REPRODUCTION IN PART OR AS A WHOLE WITHOUT THE WRITTEN PERMISSION OF OZ LIFTING PRODUCTS IS PROHIBITED.

2

1