

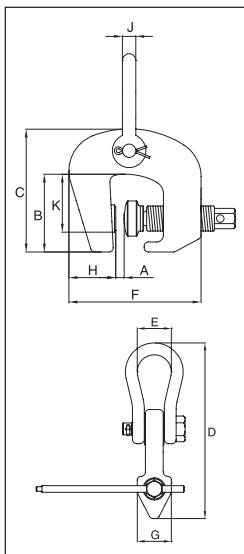


**IPSC10**

The IPSC10 screw style clamp is for positioning, pulling and turning plates or fabrications.

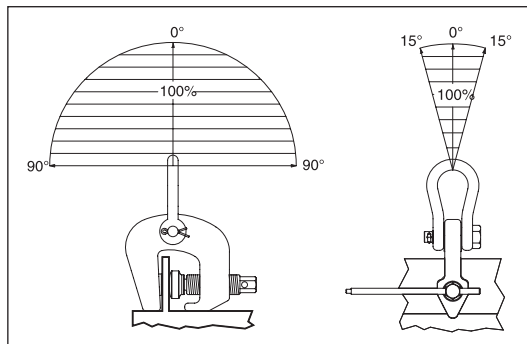
**Suitable for use in positioning & turning steel plates and sections. Not to be used as a lifting clamp.**

- Available in capacities of 1.5 and 3 metric tons.
- Jaw openings available: 0 to 60mm • 10" to 2 3/8"
- Suitable for steel with a surface hardness up to 300 HV10.
- Forged alloy steel body for strength and smaller size. Forged alloy components, where required.
- Individually Proof Tested to 2 times the Working Load Limit with certification.
- Company name (CrosbyIP), logo, Working Load Limit and jaw opening permanently stamped on body.
- Each product is individually serialized, with the serial number and Proof Load test date stamped on body. User manual with test certificate is included with each clamp
- Maintenance and repair kits are available.
- Manufactured by an ISO 9001 facility.



**Model IPSC10**

Model	WLL (t)*	IPSC Stock No.	Weight Each (kg)	Dimensions (mm)									
				Jaw A	B	C	D	E	F	G	H	J	K
IPSC10	1.5	2703857	4.6	0 - 40	91	143	251	44	156	50	45	16	65
IPSC10	3.0	2703858	8.4	0 - 60	109	175	310	51	200	62	55	19	83

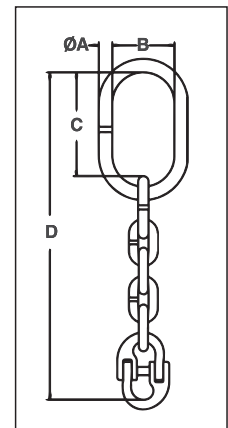


**IP5000**

The IP5000 Stinger Assembly is designed to be used as a connecting link between the clamp and the hoist hook.

**Provides easy attachment of selected Crosby® IP clamp to hoist hook.**

- Available in three sizes for the IP10 and IPU10 with capacities from .5 to 12 metric tons.
- Assembly consists of welded alloy master link, Grade 80 chain and A-1337 Lok-A-Loy for attachment to the clamp hoisting eye.
- Individually Proof Tested to 2.5 times the Working Load Limit of Grade 80 chain with certification
- Company name or logo and frame number permanently stamped on link.
- Locking system provides for simple assembly - no special tools needed.
- Finish - Red Paint.
- Manufactured by an ISO 9001 facility.



**NOTE: Not Intended to be Used as a Chain Sling.**

**Model IP5000**

Frame Size	Chain Size		Crosby® IP(U)10 Clamp Sizes (t)*	Crosby® IP(U)10H Clamp Sizes (t)*	IP5000 Stock No.**	Weight Each (kg)	Dimensions (mm)			
	(in)	(mm)					A	B	C	D
1	5/16	8	0.5 - 1	0.5	2701695	.95	13	60	100	315
2	1/2	13	2 - 4.5	1 - 3	2701704	3.4	22	90	144	484
3	7/8	22	6 - 12	4.5 - 6	2701713	14.7	36	140	234	820

\* The working load of the assembly is based on working load limit of the selected clamp. \*\*Ultimate load is 5 times the Working Load Limit.