

### IPBHZ



### For the lifting and transfer of steel beams

- IPBHZ: Available in capacities of .75 through 12 metric tons (higher Working Load Limits are available upon request).
- IPBHZ: Wide variety of jaw openings available: 0 to 1.56”.
- IPBSNZ: Available in capacities of 1.5 through 4.5 metric tons (higher Working Load Limits are available upon request).
- IPBSNZ: Wide variety of jaw openings available: 0 to 2.00”.
- Welded alloy steel body for strength and smaller size. Forged alloy components, where required.
- Individually Proof Tested to 2 times the Working Load Limit with certification.
- Company name (Crosby IP), logo, Working Load Limit and jaw opening permanently stamped on body.
- Each product is individually serialized, with the serial number and Proof Load test date stamped on body. User manual with test certificate is included with each clamp.
- Minimum WLL of 10% of Maximum WLL.
- Maintenance and repair kits are available.

### IPBSNZ

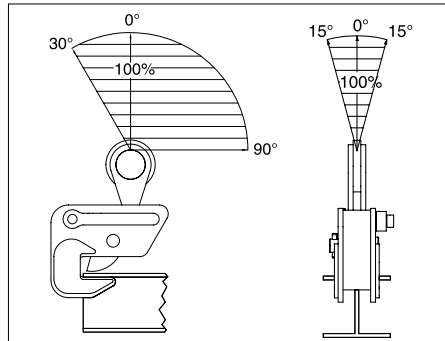
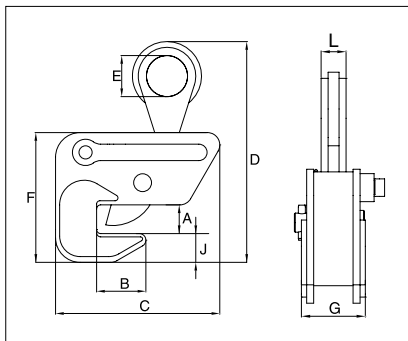


### Model IPBHZ

*Load Rated*

Model	Working Load Limit (t)*	Stock No.	Weight Each (lb)	Dimensions (in)								
				Jaw A	B	C	D	E	F	G	J	L
IPBHZ	0.75	2705461	6.61	0 - 1.00	1.57	5.83	8.66	1.97	5.12	2.72	1.30	0.87
IPBHZ	1.5	2705462	13.2	0 - 1.00	2.36	7.99	10.04	1.97	6.22	2.87	1.38	1.10
IPBHZ	3	2705463	23.2	0 - 1.56	3.15	8.94	12.80	2.76	7.40	4.41	1.50	1.26
IPBHZ	4.5	2705464	55.1	0 - 1.56	4.41	11.18	16.26	2.76	9.88	4.57	3.15	1.57
IPBHZ	12	2705467	93.3	0 - 1.56	4.92	18.35	19.29	3.54	12.48	3.54	3.54	1.85

\* Design Factor based on EN 13155 and ASME B30.20.



### Model IPBSNZ

Model	Working Load Limit (t)*	Stock No.	Weight Each (lb)	Dimensions (in)										
				Jaw A	B	C	D	E	F	G	H	J	K	L
IPBSNZ	1.5	2705925	30.9	0 - 1.25	3.94-10.63	11.97	18.90	2.76	12.56	1.85	0.63	6.50	5.83	9.45
IPBSNZ	3	2705926	48.5	0 - 1.56	3.94-12.99	13.86	19.45	2.95	16.06	2.20	0.79	8.15	7.17	10.24
IPBSNZ	4.5	2705927	67.2	0 - 2.00	3.94-14.17	16.54	24.80	2.95	17.99	2.20	0.79	9.84	7.40	11.54

\* Design Factor based on EN 13155 and ASME B30.20.

