

EN

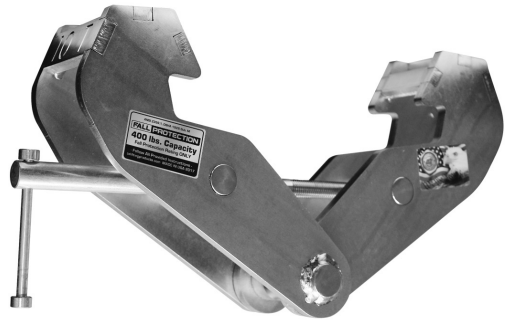


OPERATOR'S MANUAL

BEAM CLAMP FALL PROTECTION SERIES

100% made in the USA.

**1 TON
THROUGH
10 TON
MATERIAL
HANDLING**



**400 lbs. combined
user and tools
fall protection.**

FALL PROTECTION

**This product meets or exceeds
OSHA 1926 Subpart M, OSHA 1910.140
ASME Z359.1, and ASME A10.32-2012
standards for fall protection.**



P.O. Box 845, Winona, MN 55987
Phone (800) 749-1064
(507) 474-6250
Tech Support (507) 457-3346
Fax (507) 452-5217
sales@ozliftingproducts.com
www.ozliftingproducts.com

Table of Contents

Pg.3 Warranty

Pg.4 Introduction / Product Applications and Limitations

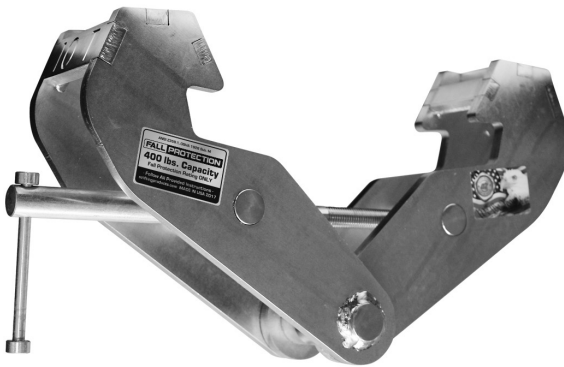
Pg.5 Product Applications and Limitations

Pg.6 Components and Specifications

Pg.7 Installation / Maintenance, Cleaning, & Storage

Pg.8 Inspection / Safety Warnings

Pg.9 Beam Clamp Inspection Log



FALL PROTECTION

Warranty

OZ Lifting Products LLC® guarantees this product to be free of defects in materials and workmanship for ten years from the date of shipment.

This warranty does not apply to products that show signs of misuse, overloading, alteration, improper maintenance or negligence. The normal wear and tear of moving parts is excluded from the warranty. Moving parts are defined as brake discs, wire rope and other wear components that are subject to use conditions. This warranty does not cover any costs related to removal of this product, lost time, or any other incidental or consequential damages/costs resulting from the claimed defects.

If this product fails during the first ten years of operating due to defective materials or workmanship, it will be repaired or replaced at the discretion of OZ Lifting Products LLC®. Any product subject to a warranty claim must be returned, prepaid, to an authorized OZ Lifting Products LLC® warranty depot along with proof of purchase. Upon repair, the product will be returned to the customer free of charge. If no defect is found, the customer will be responsible for return shipping costs. The product's warranty will be effective for the remainder of the original warranty period (ten years from shipment date).

OZ Lifting Products LLC® will not be held liable for the following arising from the use of this product: injuries to persons or property, death, incidental, consequential, or contingent damages, whether negligent or deliberate. It is the sole responsibility of the owner to install and operate the product properly and safely.

This is OZ Lifting Products LLC®'s only written warranty. This warranty is in lieu of all other warranties implied by law such as merchantability and fitness. The sale of products from OZ Lifting Products LLC® under any other warranty or guarantee, expressed or implied, is not authorized.

NOTE: OZ Lifting Products LLC® has the right to alter the design of or discontinue the production of any product without prior notice.

For more information please contact:



P.O. Box 845, Winona, MN 55987

Phone (800) 749-1064

(507) 474-6250

Tech Support (507) 457-3346

Fax (507) 452-5217

sales@ozliftingproducts.com

www.ozliftingproducts.com

Introduction

Thank you for purchasing your OZ Lifting Products LLC® **Fall Protection Series Beam Clamp**. The information in this manual should be used only for the **Beam Clamp**. This manual contains general instructions dealing with the normal installation, operation, and maintenance of the product described herein only. This manual is not intended to provide instruction on the usage of any other component of your personal fall arrest system. It is the user's responsibility to ensure that all components of the personal fall arrest system are suitable for use and are used correctly. The information provided should not be expected to prepare the user for all possible circumstances.

This product should not be installed, operated, or maintained by any person who has not read all the contents of these instructions. Failure to read and comply with these instructions, warnings, or limitations noted might result in bodily injury, death, or property damage. Contact the distributor for further explanation if information is not fully understood.

It is the responsibility of the owner/user to install, test, maintain, and operate these products in accordance with OSHA regulations, other federal, state, and local regulations.



**ONLY TRAINED AND QUALIFIED PERSONNEL SHALL
OPERATE AND MAINTAIN THIS EQUIPMENT.**

This product meets or exceeds OSHA 1926 Subpart M, OSHA 1910.140, ASME Z359.1, and ASME A10.32-2012 standards for fall protection.

Product Applications and Limitations

This **Fall Protection Series Beam Clamp** may be used to support one personal fall arrest system. Any structure upon which this beam clamp is installed must be able to withstand loads of at least 5,000 lbs in any direction fall arrest forces may occur. This clamp is designed to withstand vertical fall arresting forces. Users should try to remain in line with the clamp as much as possible. Every precaution must be taken to avoid swing falls. These can cause dangerous situations that could overcome the personal fall arrest system and may cause serious injury. In the event of the clamp being subjected to a fall arrest, it must be taken out of service and pass an inspection by a qualified person before it can be returned to service.

Prior to use, confirm that there is sufficient clearance below the anchorage connector to arrest a fall before the user strikes the ground or an obstruction. Start all fall clearance calculations from the anchor point on the beam clamp, not the beam itself, as this distance may change due to different beam width. It is necessary to account for the following, and all other applicable factors, when calculating fall clearance:

MINIMUM three-foot safety factor, deceleration distance, user height, and length of lanyard/SRL.

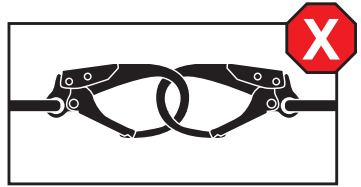
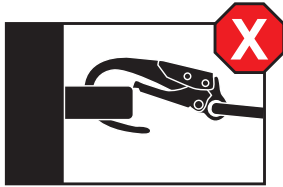
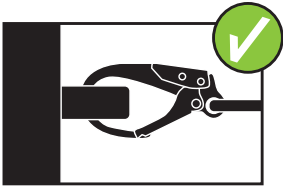
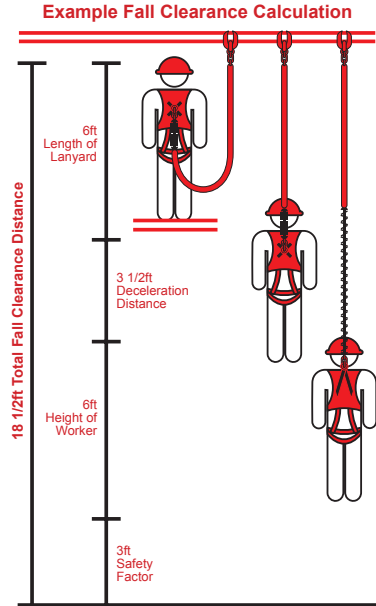


Ensure proper fall clearance is present for specific equipment being used.

NOTE: The maximum allowable free fall distance for lanyards must not exceed six feet. No free fall allowed for non-LE SRLs. Class A SRLs must arrest falls within 24 inches; Class B SRLs must arrest falls within 54 inches.

When Attaching Personal Fall Arrest System Components to Fall Protection Series Beam Clamp:

- Ensure the connector attached to the beam clamp is suitable and fully compatible with the beam clamp in use. It must be large enough that it completely encircles the bail and locks in that position.
- Ensure the connector is not designed/oriented in such a way as to cause excess load to be applied to the gate of the connector.
- Avoid any situation that could cause the connector to open unexpectedly, including roll-out.
- Do not use improper connectors or misuse proper connectors as this could cause serious injury.

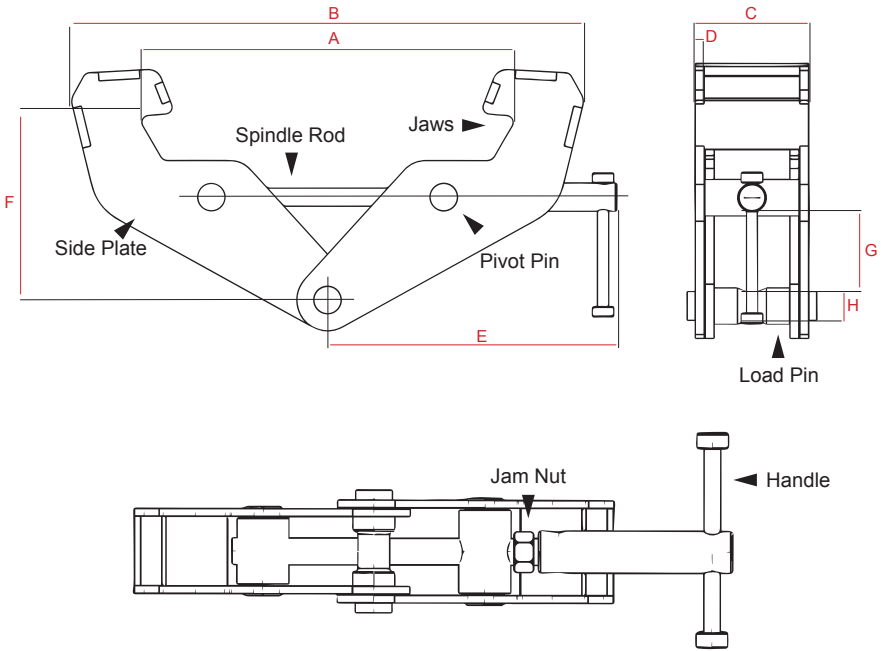


Material Handling Usage

Any usage of the clamp for material handling purposes must be treated in the same way as a fall arrest. After any type of material handling usage, the clamp must be removed from service and pass an inspection by a qualified person **prior to returning it to service as part of a personal fall arrest system.**



Components and Specifications



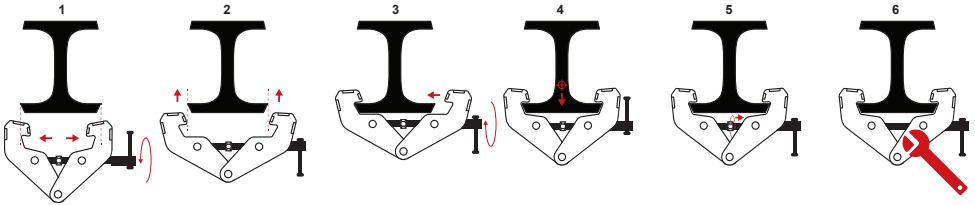
Specification

| | OZ1BCA-MR | OZ2BCA-MR | OZ3BCA-MR | OZ5BCA-MR | OZ10BCA-MR |
|------------------------|---------------|---------------|------------|-------------|---------------|
| Material Handling Load | 2,000 lbs. | 4,000 lbs. | 6,000 lbs. | 10,000 lbs. | 20,000 lbs. |
| Fall Protection* | 400 lbs. | 400 lbs. | 400 lbs. | 400 lbs. | 400 lbs. |
| A | 3" - 8" | 3" - 8" | 3.5" - 13" | 3.5" - 13" | 3.5" - 13" |
| B | 14.75" | 14.75" | 20.5" | 20.5" | 22" |
| C | 2.51" | 2.91" | 3.94" | 4.41" | 4.72" |
| D | 0.9" | 0.9" | 1.5" | 1.5" | 1.6" |
| E | 9.5" | 9.5" | 11" | 11" | 11.5" |
| F | 4.75" - 5.75" | 4.75" - 5.75" | 7.5" - 9" | 7.5" - 9" | 5.5" - 9.375" |
| G | 1.75" | 1.75" | 2.5" | 2.5" | 4" |
| H | .75" | .875" | .975" | 1.125" | 1.625" |
| Net Weight | 9 lbs. | 11 lbs. | 22 lbs. | 26 lbs. | 39 lbs. |

*User and tools combined.

Installation

Check for damage during shipment prior to installation. Do not install or use a damaged product. Be sure to maintain records of all accompanying product information. Contact your OZ Lifting Products LLC® dealer if there are any problems or questions. Read and comply with all instructions and warnings furnished with or attached to the product as applicable.



1. Open the clamp jaws by turning spindle handle counter clockwise.
2. Center the beam clamp on the girder.
3. Turn the spindle handle clockwise to close the clamp jaws.
4. Ensure that the jaws are tight enough that the beam clamp cannot slide on the beam.
5. Tighten the jam nut finger tight on the spindle so that it contacts the threaded pivot pin.
6. Tighten the jam nut an additional 1/8 to 1/4 turn with a wrench or other suitable tool.

NOTE: Please refer to the manuals of all other components of your personal fall arrest system to ensure those components are being used properly and are in compliance with all applicable standards. The **Beam Clamp** is not intended to slide on the structure it is installed upon.

Warning: Beam Clamp operators should read and fully comprehend this entire manual and all warnings on the clamp before use. If this manual is not read and followed completely, injuries may occur. Proper use of this beam clamp is only part of the safe operation of your personal fall arrest system. Ensure that all components of your personal fall arrest system are being used correctly and are in good condition.

All Persons MUST:

Be trained in proper operation and in dealing with potential malfunctions of personal fall arrest systems. Abstain from use of alcohol, medications, or drugs while operating. Avoid operation while tired or distracted. Avoid operation if they have a history of seizures or other medical issues that may interfere with operation.

NOTE: Prior to operation, ensure that the **Beam Clamp** is in proper working condition and maintenance records are up to date. Please refer to the manual for your specific fall protection device for proper operation.

Maintenance, Cleaning and Storage

Ensure that the work area is free of debris, rot, rust, decay, cracking, and hazardous materials. A stable work area is required for use.

Dirt, corrosives, and contaminants should be cleaned with water as necessary. Mild soap can be used if necessary, though a thorough rinse and dry is mandatory. Lightly lubricate all moving parts after cleaning. Never clean the **Beam Clamp** with corrosive substances.

Always store your Beam Clamp where it will not be subjected to heat, light, excessive moisture, chemicals, or other elements.

Inspection

In order to maintain quality operation of the product, a regular inspection schedule should be followed by each operator. All inspections should be reported and maintained in a dated record log located at the end of this manual. You will notice that the first entry has been made as the clamp passed an inspection prior to leaving OZ Lifting Products headquarters. These records should be available to all personnel involved with the product and should be made available to OZ Lifting Products LLC® when a warranty issue is in question.

Operators should inspect clamps before each usage. Each clamp must pass an inspection by a qualified person every six months to remain in service. Inspect for wear, damage, cuts, cracks, corrosion, impact damage, pits, burrs, rough surfaces, sharp edges, rust, paint build-up, excessive heating, alteration, and missing or illegible labels. During any inspection, also test that the clamp functions smoothly and that the spindle threads are in good condition. Ensure that the jam nut is present on the threaded spindle rod. If any problems are observed, the **Beam Clamp** should be placed out of service until it can be repaired. Use only OZ Lifting Products LLC® for replacement parts. The **Beam Clamp** should be taken annually to an authorized repair center for professional inspection.

Worker Classifications

Designated Person - The person who is selected or assigned as being competent to perform specific duties.

Qualified Person - The person that—by possession of a recognized degree or certificate of professional standing, or through extensive knowledge, training, and experience—has successfully demonstrated they are able to resolve problems relating to the subject matter and work.

Safety Warnings

Beam Clamp (Personal Fall Protection Usage)

- Do Not** use any clamp that has not passed inspection by a qualified person within the past six months.
- Do Not** alter or misuse equipment.
- Do Not** use in a non-compliant manner.
- Do Not** operate in a workplace that has not been assessed for proper use.
- Do Not** purchase used personal fall arrest systems.
- Do Not** use non-compliant harnesses and connectors.
- Do Not** operate without a rescue procedure in place.
- Do Not** use to hang, lift, support, or to hoist tools or equipment.
- Do Not** use without records of proper inspection.
- Do Not** use beam clamp as an anchor point for more than one personal fall arrest system.

Beam Clamp (Material Handling Usage)

- Do Not** lift more than the designated load range.
- Do Not** lift people or lift loads over people.
- Do Not** operate a damaged or malfunctioning product.
- Do Not** remove, deface, or cover warning labels.
- Do Not** operate until personnel are warned and cleared from the area.
- Do Not** use if load is not suspended vertically.
- Do Not** use beam clamp without locking firmly in place.
- Do Not** use beam clamp as a welding ground.
- Do Not** add lengthening pieces to the beam clamp lever.
- Do Not** weld on the lifted load.
- Do Not** open the beam clamp when it is holding a load.
- Do Not** use beam clamps in corrosive environments.
- Do Not** use connections between the clamp and load.
- Do Not** allow the load to swing.



WARNING: Failure to read and comply with these safety warnings may result in a hazardous situation that could lead to death, serious injury, or property damage.

FR



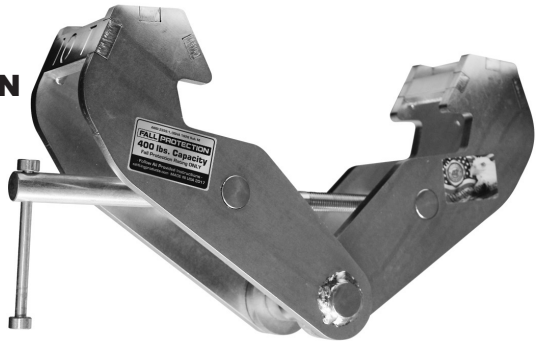
GUIDE DE L'OPÉRATEUR

PINCE DE POUTRE SÉRIE PRÉVENTION DES CHUTES

100 % fabriqué aux États-Unis.

**1 TONNE À
10 TONNES
MANUTENTION
DES
MATÉRIAUX**

**Prévention
des chutes de
l'utilisateur et des
outils de 400 lb
en tout.**



FALL PROTECTION

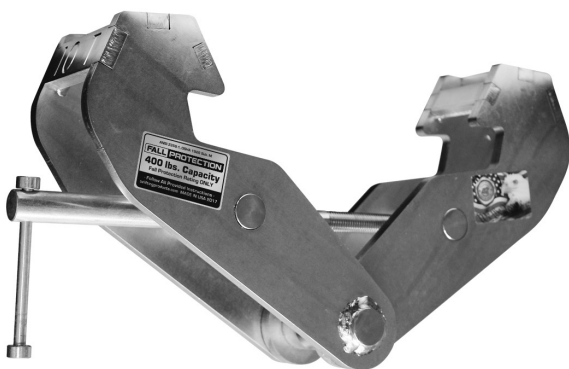
**Ce produit répond ou dépasse les normes
OSHA 1926, sous-partie M, OSHA 1910.140
ASME Z359.1 et ASME A10.32-2012
pour la prévention des chutes ou les dépasse.**

**oz LIFTING
PRODUCTS**

P.O. Box 845, Winona, MN 55987
Téléphone +1 (800) 749-1064
+1 (507) 474-6250
Soutien technique +1 (507) 457-3346
Télécopieur +1 (507) 452-5217
sales@ozliftingproducts.com
www.ozliftingproducts.com

Table des matières

| | |
|------|---|
| p. 3 | Garantie |
| p. 4 | Introduction/Applications du produit et limitations |
| p. 5 | Applications du produit et limitations |
| p. 6 | Composants et spécifications |
| p. 7 | Installation/Entretien, nettoyage et rangement |
| p. 8 | Inspection/Avertissements de sécurité |
| p. 9 | Journal d'inspection de la pince de poutre |



FALL PROTECTION

Garantie

OZ Lifting Products LLC® garantit ce produit contre les défauts de fabrication et de conception pendant dix ans à compter de la date d'expédition.

Cette garantie ne s'applique pas aux produits indiquant qu'il y a eu abus, surcharge, altération, mauvais entretien ou négligence. L'usure normale des pièces en mouvement est exclue de la garantie. Exemples de pièces en mouvement : disques de frein, câbles métalliques et autres composants qui s'usent. Cette garantie ne couvre pas les coûts liés au retrait de ce produit, au temps perdu ou autres dommages/coûts accessoires ou consécutifs liés aux défauts contre lesquelles il y a réclamation.

Si ce produit tombe en panne dans les dix premières années pour cause de fabrication ou de conception, il sera réparé ou remplacé à la discrétion de OZ Lifting Products LLC®. Tout produit sous garantie pour lequel il y a réclamation doit être retourné prépayé à un dépôt de garantie OZ Lifting Products LLC® avec preuve d'achat. Une fois réparé, le produit sera retourné au client sans frais. S'il devait s'avérer qu'il n'y avait aucune déféctuosité, les frais d'expédition de retour seront imputés au client. La garantie du produit continuera pour le reste de la période originale (dix ans à compter de la date d'expédition).

OZ Lifting Products LLC® n'est pas responsable de ce qui suit relatif à l'utilisation de ce produit : blessures ou dommages matériels, morts, dommages accessoires, consécutifs ou indirects, que ce soit par négligence ou à dessein. Il incombe exclusivement au propriétaire d'installer et de faire fonctionner le produit convenablement et sécuritairement.

Il s'agit de la seule garantie écrite de OZ Lifting Products LLC®. Cette garantie est en lieu et place de toute autre garantie qu'implique la loi, p. ex. qualité marchande ou aptitude. La vente de produits OZ Lifting Products LLC® en vertu de toute autre garantie expresse ou impliquée n'est pas autorisée.

REMARQUE : OZ Lifting Products LLC® a le droit de modifier la conception ou de discontinuer la production de tout produit sans préavis.

Pour en savoir plus, contacter :



P.O. Box 845, Winona, MN 55987

Téléphone +1 (800) 749-1064

+1 (507) 474-6250

Soutien technique +1 (507) 457-3346

Télécopieur +1 (507) 452-5217

sales@ozliftingproducts.com

www.ozliftingproducts.com

Introduction

Merci d'avoir acheté votre **pince de poutre série prévention des chutes** OZ Lifting Products LLC®. Les renseignements que contient ce manuel doivent être utilisés exclusivement pour la **pince de poutre**. Ce manuel contient des instructions générales sur l'installation, le fonctionnement et l'entretien normaux du produit décrit aux présentes seulement. Ce manuel ne contient aucune instruction sur l'utilisation de quelque autre composant de votre système de prévention des chutes personnel que ce soit. Il incombe à l'utilisateur de s'assurer que tous les composants du système de prévention des chutes personnel conviennent à l'utilisation et qu'ils fonctionnent bien. Vous ne devez pas prendre pour acquis que les renseignements fournis préparent l'utilisateur pour toute circonstance possible.

Ce produit ne doit pas être installé, opéré ou entretenu par quiconque n'ayant pas lu ces instructions au complet. Si vous ne lisez pas ces instructions, avertissements ou limitations ou que vous ne vous y conformez pas, il pourrait y avoir blessures, morts ou dommages matériels. Contacter le distributeur pour en savoir plus si vous ne comprenez pas toutes les instructions.

Il incombe au propriétaire/à l'utilisateur d'installer, de mettre à l'essai, d'entretenir et de faire fonctionner ces produits conformément aux règlements de l'OSHA et aux autres règlements fédéraux, d'État et locaux.



**SEULES DES PERSONNES FORMÉES ET QUALIFIÉES
DOIVENT FAIRE FONCTIONNER ET ENTREtenir
CET ÉQUIPEMENT.**

Ce produit satisfait aux normes OSHA 1926, sous-partie M, OSHA 1910.140 ASME Z359.1 et ASME A10.32-2012 pour la prévention des chutes ou les dépasse.

Applications du produit et limitations

Cette **pince de poutre série prévention des chutes** peut être utilisé pour supporter un système de prévention des chutes individuel. Toute structure sur laquelle cette pince de poutre est installée doit pouvoir accepter des charges d'au moins 5 000 lb dans toutes les directions où il peut y avoir une chute. Cette pince est conçue pour résister aux forces de prévention des chutes verticales. Les utilisateurs doivent essayer de rester alignés avec la pince dans la mesure du possible. Vous devez faire votre possible pour prévenir les chutes dues au balancement. Des situations dangereuses peuvent alors se produire dépassant le système de prévention des chutes personnel et occasionnant des blessures graves. Au cas où la pince aurait été utilisée pour prévenir une chute, il doit être mise hors service et inspecté par une personne qualifiée avant d'être remise en service.

Avant de l'utiliser, confirmer qu'il y a un dégagement suffisant sous le connecteur d'ancrage pour arrêter la chute avant que l'utilisateur s'écrase sur le sol ou sur une obstruction. Commencer tout calcul de dégagement de chute depuis le point d'ancrage sur la pince de poutre et non depuis la poutre elle-même, car cette distance peut changer en fonction de la largeur de la poutre. Vous devez prendre en compte ce qui suit, ainsi que tous les autres facteurs applicables, lorsque vous calculez le dégagement de chute : facteur de sécurité de trois pieds **MINIMUM**, distance de décélération, taille de l'utilisateur et longueur de la lanière/SRL.



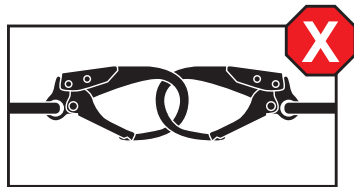
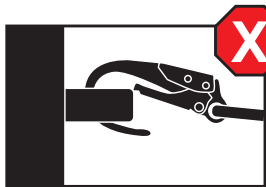
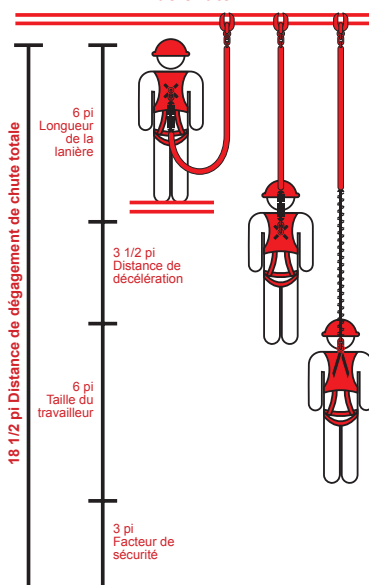
S'assurer que le dégagement de chute approprié existe pour l'équipement spécifique utilisé.

REMARQUE : La distance de chute libre maximum permise pour les lanières ne doit pas dépasser six pieds. Aucune chute libre permise pour les SRL non LE. Les SRL de classe A doivent arrêter une chute dans les 24 premiers pouces; Les SRL de classe B doivent arrêter une chute dans les 54 premiers pouces.

Quand vous fixez les composants du système de prévention des chutes personnel à une pince de poutre série prévention des chutes :

- S'assurer que le connecteur fixé à la pince de poutre est approprié et tout à fait compatible avec la pince de poutre utilisée. Il doit être suffisamment large pour encercler complètement l'anse et se bloquer dans cette position.
- S'assurer que le connecteur n'est pas conçu/orienté de façon à faire en sorte qu'une charge excessive doive être appliquée à la porte du connecteur.
- Éviter toute situation qui pourrait faire en sorte que le connecteur soit ouvert par inadvertance, y compris se déroule.
- Ne pas utiliser de mauvais connecteurs ou utiliser à mauvais escient les bons connecteurs, des blessures graves pouvant se produire.

Exemple de calcul de dégagement de chute

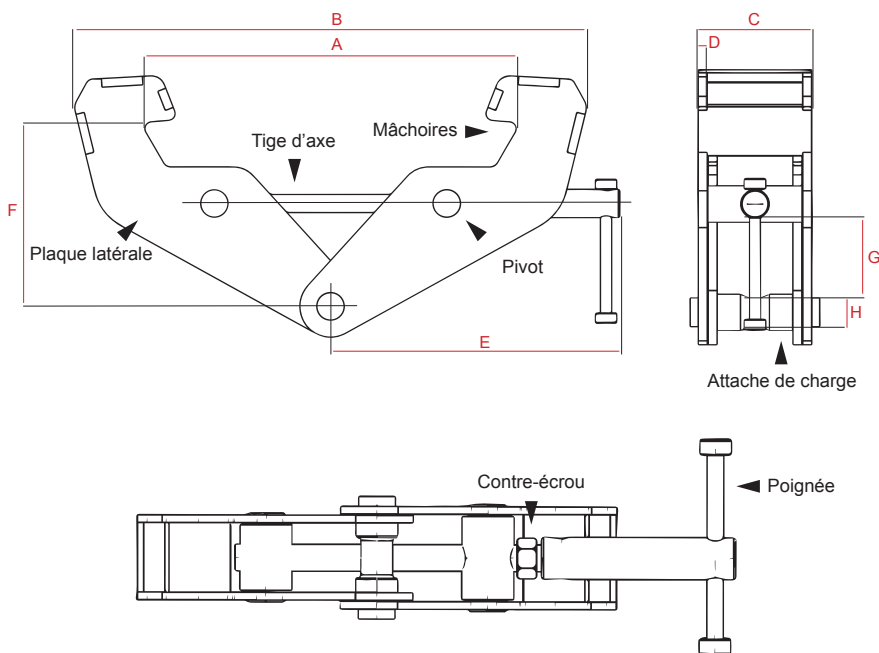


Manipulation des matériaux

Lorsque vous utilisez la pince pour manipuler des matériaux, vous devez vous en servir comme si vous l'utilisiez pour prévenir des chutes. Après que vous avez manipulé quelque matériau que ce soit, la pince doit être mise hors service et inspecté par une personne qualifiée **avant qu'elle soit remise en service en tant qu'élément d'un système de prévention des chutes personnel.**



Composants et spécifications



Spécifications

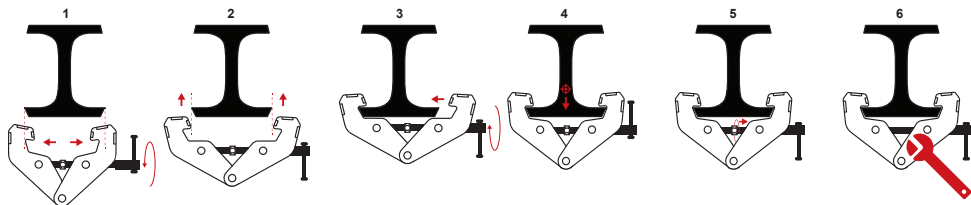
| | OZ1BCA-MR | OZ2BCA-MR | OZ3BCA-MR | OZ5BCA-MR | OZ10BCA-MR |
|---------------------------------|-------------------|-------------------|----------------|----------------|-------------------|
| Capacité de charge de matériaux | 2 000 lb | 4 000 lb | 6 000 lb | 10 000 lb | 20 000 lb |
| Prévention des chutes* | 400 lb | 400 lb | 400 lb | 400 lb | 400 lb |
| A | 3 po - 8 po | 3 po - 8 po | 3,5 po - 13 po | 3,5 po - 13 po | 3,5 po - 13 po |
| B | 14,75 po | 14,75 po | 20,5 po | 20,5 po | 22 po |
| C | 2,51 po | 2,91 po | 3,94 po | 4,41 po | 4,72 po |
| D | 0,9 po | 0,9 po | 1,5 po | 1,5 po | 1,6 po |
| E | 9,5 po | 9,5 po | 11 po | 11 po | 11,5 po |
| F | 4,75 po - 5,75 po | 4,75 po - 5,75 po | 7,5 po - 9 po | 7,5 po - 9 po | 5,5 po - 9,375 po |
| G | 1,75 po | 1,75 po | 2,5 po | 2,5 po | 4 po |
| H | 0,75 po | 0,875 po | 0,975 po | 1,125 po | 1,625 po |
| Poids net | 9 lb | 11 lb | 22 lb | 26 lb | 39 lb |

*Utilisateur et outils combinés.

Installation

Vérifier s'il y a eu des dommages en cours d'expédition avant d'installer. Ne pas installer ou ne pas utiliser un produit endommagé.

S'assurer de conserver des dossiers de tous les renseignements afférents. Communiquer avec votre concessionnaire OZ Lifting Products LLC® pour tout problème ou toute question. Lire et respecter tous les instructions et avertissements que contient le produit ou qui y sont joints, le cas échéant.



1. Ouvrir les mâchoires de la pince en faisant tourner la poignée de l'axe dans le sens antihoraire.
2. Centrer la pince sur la poutre.
3. Faire tourner la poignée de l'axe dans le sens horaire pour fermer les mâchoires de la pince.
4. S'assurer que les mâchoires sont suffisamment serrées pour que la pince ne puisse glisser sur la poutre.
5. Serrer la griffe du contre-écrou sur l'axe de sorte qu'elle soit en contact avec le pivot fileté.
6. Serrer le contre-écrou de 1/8 à 1/4 tour de plus avec une clé ou autre outil approprié.

REMARQUE : Veuillez lire les manuels des autres composants de votre système de prévention des chutes personnel pour vous assurer que vous les utilisez tous à bon escient et que vous vous conformez à toutes les normes applicables. La **pince de poutre** n'a pas été conçue pour glisser sur la structure sur laquelle elle est installée.

Avertissement : Les opérateurs de pince de poutre doivent lire et bien comprendre tout ce manuel et tous les avertissements avant d'utiliser la pince. Si on ne lit pas ce manuel et qu'on ne s'y conforme pas, cela peut entraîner des blessures. Utiliser cette pince de poutre à bon escient est une partie seulement du fonctionnement sécuritaire de votre système de prévention des chutes personnel. S'assurer d'utiliser tous les composants de votre système de prévention des chutes personnel à bon escient et qu'ils sont en bon état.

Tout le personnel DOIT :

Être formés quant au bon fonctionnement et à la prise en charge des défaillances potentielles des systèmes de prévention des chutes personnels.

Ne pas utiliser d'alcool, de médicaments ou de drogues pendant le fonctionnement.

Éviter le fonctionnement en cas de fatigue ou de distraction.

Éviter le fonctionnement si l'opérateur a un historique de crises ou autres troubles médicaux qui risquent de nuire au fonctionnement.

REMARQUE : Avant de s'en servir, s'assurer que la **pince de poutre** fonctionne bien et que les dossiers d'entretien sont à jour. Veuillez consulter le manuel de votre appareil de prévention des chutes spécifique.

Entretien, nettoyage et entreposage

S'assurer que la zone de travail ne contient aucuns débris, pourrissement, rouille, décomposition, fissures et matières dangereuses. Il faut une zone de travail stable.

On doit nettoyer la saleté, les décapants et les contaminants avec de l'eau, au besoin. On peut utiliser un savon doux, au besoin, mais il faut bien rincer et sécher. Lubrifier légèrement toutes les pièces en mouvement après nettoyage. Ne jamais nettoyer la **pince de poutre** avec des décapants.

Toujours ranger la pince de poutre là où la chaleur, la lumière, l'humidité excessive, les produits chimiques ou autres éléments ne sauront l'affecter.

Inspection

Pour que la qualité de fonctionnement du produit soit bonne, l'opérateur doit faire inspecter le produit régulièrement. Toutes les inspections doivent être consignées et conservées dans le journal daté à la fin de ce manuel. Vous remarquerez que la première entrée a été faite lorsque la pince a réussi une inspection avant de quitter le siège social de OZ Lifting Products®. Ces dossiers doivent être accessibles à tout le personnel qui utilise le produit et à OZ Lifting Products LLC® lorsqu'il y a un problème lié à la garantie.

Les opérateurs doivent inspecter les pinces avant chaque utilisation. Chaque pince doit réussir une inspection de la part d'une personne qualifiée tous les six mois pour qu'on puisse continuer à s'en servir. Inspecter pour usure, dommages, coupures, fissures, corrosion, dommages après impact, trous, bavures, surfaces rugueuses, bords tranchants, rouille, accumulation de peinture, chaleur excessive, altération et étiquettes manquantes ou illisibles. En cours d'inspection, s'assurer aussi que la pince fonctionne bien et que les filets de l'axe sont en bon état. S'assurer que le contre-écrou se trouve sur la tige d'axe fileté. Si vous remarquez des problèmes, mettre la **pince de poutre** hors service jusqu'à ce qu'elle soit réparée. Utiliser seulement des pièces de rechange provenant de OZ Lifting Products LLC®. Vous devez apporter la **pince de poutre** à un centre de réparation autorisé tous les ans aux fins d'inspection professionnelle.

Classification des travailleurs

Personne désignée – une personne sélectionnée ou affectée qui est en mesure d'exécuter les tâches spécifiques.

Personne qualifiée – une personne qui possède un diplôme ou certificat de compétence professionnelle reconnu ou qui, grâce à ses connaissances, à sa formation à son expérience exhaustives, a démontré avec succès qu'elle peut résoudre les problèmes liés à la matière et au travail.

Avertissements de sécurité

Pince de poutre (pour la prévention des chutes personnelle)

Ne pas utiliser quelque pince que ce soit qui n'a pas été inspecté par une personne qualifiée au cours des six derniers mois.

Ne pas modifier ou utiliser l'équipement à mauvais escient.

Ne pas utiliser de façon non conforme.

Ne pas faire fonctionner là où on n'a toujours pas déterminé qu'il puisse être utilisé.

Ne pas acheter des systèmes de prévention des chutes personnels d'occasion.

Ne pas utiliser des harnais et des connecteurs non conformes.

Ne pas faire fonctionner sans qu'il existe de procédure de sauvetage.

Ne pas utiliser pour suspendre, lever, supporter ou hisser des outils ou de l'équipement.

Ne pas utiliser sans dossiers dans lesquels les inspections ont été consignées.

Ne pas utiliser une pince de poutre comme point d'ancrage pour plus d'un système de prévention des chutes personnel.

Pince de poutre (pour la manutention des matériaux)

Ne pas lever plus que la capacité de charge désignée.

Ne pas lever de personnes ou de charges au-dessus de personnes.

Ne pas faire fonctionner un produit endommagé ou qui ne fonctionne pas correctement.

Ne pas enlever, dégrader ou couvrir les étiquettes d'avertissement.

Ne pas faire fonctionner avant d'avoir averti le personnel et qu'il ait eu le temps de céder la place.

Ne pas utiliser si la charge n'est pas suspendue à la verticale.

Ne pas utiliser la pince de poutre sans la bloquer fermement.

Ne pas utiliser la pince de poutre comme mise à la terre de soudage.

Ne pas ajouter de rallonges au levier de la pince de poutre.

Ne pas souder sur la charge suspendue.

Ne pas ouvrir la pince de poutre quand elle est chargée.

Ne pas utiliser les pinces de poutre dans des milieux corrosifs.

Ne pas utiliser des connexions entre la pince et la charge.

Ne pas laisser la charge se balancer.



AVERTISSEMENT : Si vous ne lisez pas les avertissements de sécurité et que vous ne vous y conformez pas, il peut y avoir des situations dangereuses qui pourraient causer la mort, des blessures graves ou des dommages matériels.

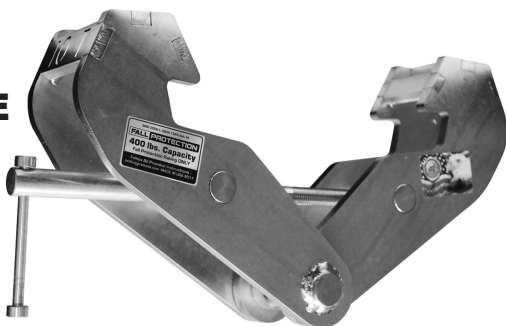
ES



MANUAL DEL OPERADOR

ABRAZADERA DE VIGA **SERIE DE PROTECCIÓN CONTRA CAÍDAS** **100% hecho en los EE. UU.**

**MANEJO DE
MATERIAL DE
1 HASTA 10
TONELADAS**



**400 libras de protección
contra caídas, usuario y
herramientas combinados**

FALL PROTECTION

(PROTECCIÓN CONTRA CAÍDAS)

**Este producto cumple o supera
OSHA 1926 Subparte M, OSHA 1910.140
ASME Z359.1, y ASME A10.32-2012
estándares de protección contra caídas.**

**OZ LIFTING
PRODUCTS**

P.O. Box 845, Winona, MN 55987
Teléfono (800) 749-1064
(507) 474-6250
Apoyo técnico (507) 457-3346
Fax (507) 452-5217
sales@ozliftingproducts.com
www.ozliftingproducts.com

Table of Contents

Pág.3Garantía

Pág.4Introducción / Aplicaciones y limitaciones del producto

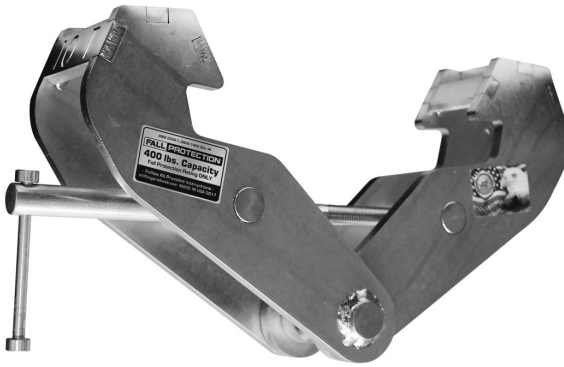
Pág.5Aplicaciones y limitaciones del producto

Pág.6Componentes y especificaciones

Pág.7Instalación / mantenimiento, limpieza y almacenamiento

Pág.8Inspección / Advertencias de seguridad

Pág.9Registro de inspección de abrazadera de viga



FALL PROTECTION

(PROTECCIÓN CONTRA CAÍDAS)

Garantía de diez años

OZ Lifting Products LLC® garantiza que este producto estará libre de defectos en materiales y mano de obra durante diez años a partir de la fecha de envío.

Esta garantía no se aplica a productos que muestran signos de mal uso, sobrecarga, alteración, mantenimiento incorrecto o negligencia. El desgaste normal de las piezas móviles está excluido de la garantía. Las partes móviles se definen como discos de freno, cable metálico y otros componentes de desgaste sujetos a condiciones de uso. Esta garantía no cubre ningún costo relacionado con la eliminación de este producto, el tiempo perdido o cualquier otro daño / costo incidental o consecuente que resulte de los defectos reclamados.

Si este producto falla durante los primeros diez años de funcionamiento debido a materiales o mano de obra defectuosos, será reparado o reemplazado a discreción de OZ Lifting Products LLC®. Cualquier producto sujeto a un reclamo de garantía debe devolverse, prepago, a un distribuidor autorizado de OZ Lifting Products LLC® junto con el comprobante de compra. Tras la reparación, el producto será devuelto al cliente de forma gratuita. Si no se encuentra ningún defecto, el cliente será responsable de los costos de envío de devolución. La garantía del producto será efectiva por el resto del período de garantía original (diez años a partir de la fecha de envío).

OZ Lifting Products LLC® no se hace responsable de lo siguiente que surja del uso de este producto: lesiones a personas o bienes, muerte, daños incidentales, consecuentes o contingentes, ya sean negligentes o deliberados. Es responsabilidad exclusiva del propietario instalar y operar el producto de manera adecuada y segura.

Esta es la única garantía escrita de OZ Lifting Products LLC®. Esta garantía reemplaza a todas las demás garantías implícitas por ley, como la comerciabilidad y la aptitud. La venta de productos de OZ Lifting Products LLC® bajo cualquier otra garantía, expresa o implícita, no está autorizada.

NOTA: OZ Lifting Products LLC® tiene el derecho de alterar el diseño o suspender la producción de cualquier producto sin previo aviso.

Para obtener más información, póngase en contacto:



P.O. Box 845, Winona, MN 55987
Teléfono (800) 749-1064
(507) 474-6250
Apoyo técnico (507) 457-3346
Fax (507) 452-5217
sales@ozliftingproducts.com
www.ozliftingproducts.com

Introducción

Gracias por comprar su **abrazadera de viga de serie de protección contra caídas** OZ Lifting Products LLC®. La información de este manual debe usarse solo para la **abrazadera de viga**. Este manual contiene instrucciones generales relacionadas con la instalación, operación y mantenimiento normales del producto descrito aquí solamente. El objetivo de este manual no es proporcionar instrucciones sobre el uso de cualquier otro componente de su sistema personal de protección contra caídas. Es responsabilidad del usuario asegurarse de que todos los componentes del sistema personal de protección contra caídas sean adecuados para su uso y se usen correctamente. No debe esperarse que la información proporcionada prepare al usuario para todas las circunstancias posibles.

Este producto no debe ser instalado, operado o mantenido por ninguna persona que no haya leído todo el contenido de estas instrucciones. No leer y cumplir con estas instrucciones, advertencias o limitaciones señaladas puede provocar lesiones corporales, la muerte o daños a la propiedad. Póngase en contacto con el distribuidor para obtener más explicaciones si la información no se comprende completamente.

Es responsabilidad del propietario / usuario instalar, probar, mantener y operar estos productos de acuerdo con las regulaciones de OSHA, otras regulaciones federales, estatales y locales.



**SÓLO PERSONAL CAPACITADO Y CALIFICADO
OPERARÁ Y MANTENDRÁ ESTE EQUIPO.**

Este producto cumple o supera OSHA 1926 Subpart M, OSHA 1910.140, ASME Z359.1, y ASME A10.32-2012 estándares de protección contra caídas.

Aplicaciones y limitaciones del producto

Esta **abrazadera de viga** de la **serie de protección contra caídas** se puede usar para soportar un sistema personal de detención de caídas. Cualquier estructura sobre la cual se instale esta abrazadera de viga debe ser capaz de soportar cargas de al menos 5,000 lbs en cualquier dirección en que puedan ocurrir fuerzas de detención de caídas. Esta abrazadera está diseñada para resistir las fuerzas verticales de detención de caídas. Los usuarios deben tratar de mantenerse en línea con la abrazadera tanto como sea posible. Se deben tomar todas las precauciones para evitar las caídas en columpio. Esto puede causar situaciones peligrosas que podrían superar el sistema personal de detención de caídas y causar lesiones graves. En el caso de que la abrazadera se someta a un arresto por caída, debe retirarse del servicio y pasar una inspección por una persona calificada antes de que pueda volver al servicio.

Antes de usar, confirme que hay suficiente espacio debajo del conector de anclaje para detener una caída antes de que el usuario golpee el suelo o una obstrucción. Comience todos los cálculos de espacio libre de caída desde el punto de anclaje en la abrazadera de la viga, no desde la viga en sí, ya que esta distancia puede cambiar debido al diferente ancho de la viga. Es necesario tener en cuenta los siguientes factores, y todos los demás factores aplicables, al calcular la separación de caída: Factor de seguridad **MÍNIMO** de tres pies, distancia de desaceleración, altura del usuario y longitud de la cuerda de seguridad / SRL.



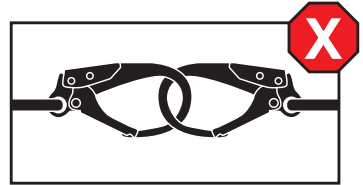
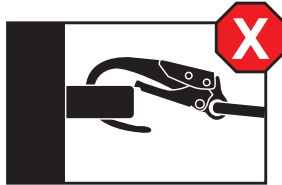
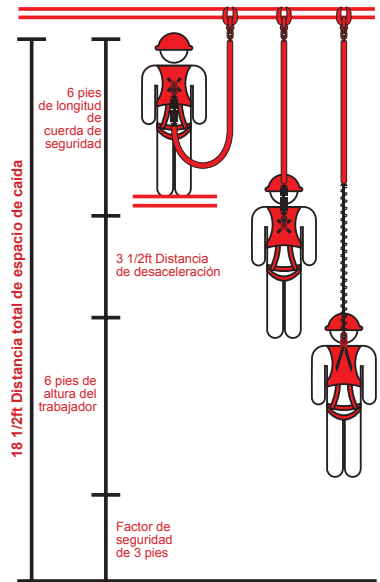
Asegúrese de que haya un espacio libre de caída adecuado para el equipo específico que se utiliza.

NOTA: La distancia máxima permitida de caída libre para las cuerdas de seguridad no debe exceder los seis pies. No se permite caída libre para SRL que no sean LE. Los SRLS de clase A deben detener caídas dentro de las 24 pulgadas; Las SRL de clase B deben detener caídas dentro de 54 pulgadas.

Al conectar componentes personales del sistema de protección contra caídas a la abrazadera de viga de la serie de protección contra caídas:

- Asegúrese de que el conector conectado a la abrazadera de viga es adecuado y totalmente compatible con la abrazadera de viga en uso. Debe ser lo suficientemente grande como para que rodee la fianza y se conecte en esa posición.
- Asegúrese de que el conector no esté diseñado / orientado de tal manera que se aplique un exceso de carga a la puerta del conector.
- Evite cualquier situación que pueda causar el conector se abra inesperadamente, incluido el despliegue.
- No use conectores inadecuados o mal use conectores ya que esto podría causar lesiones graves.

Ejemplo de cálculo de espacio de caída

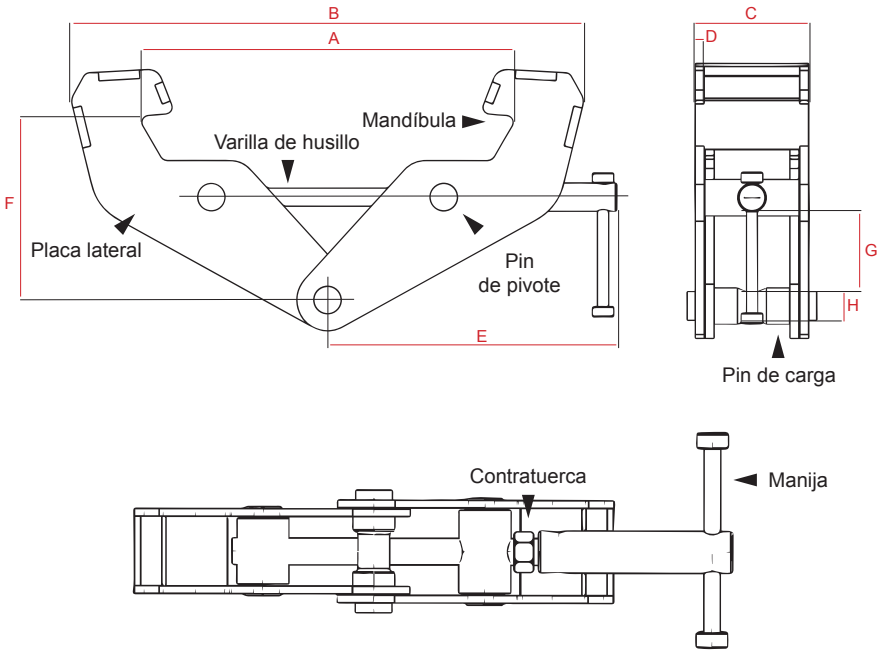


Uso de manejo de materiales

Cualquier uso del trole para fines de manejo de materiales debe tratarse de la misma manera que una protección de caídas. Después de cualquier tipo de uso de manejo de materiales, el trole debe retirarse del servicio y pasar una inspección por una persona calificada antes de devolverla al servicio como parte de un sistema personal de protección contra caídas.



Componentes y especificaciones



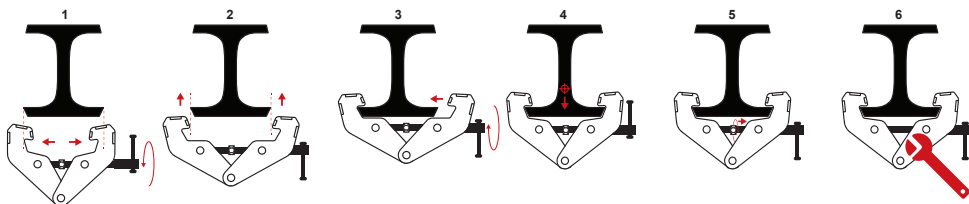
Especificaciones

| | OZ1BCA-MR | OZ2BCA-MR | OZ3BCA-MR | OZ5BCA-MR | OZ10BCA-MR |
|---------------------------|---------------|---------------|------------|-------------|---------------|
| Carga de materiales | 2,000 lbs. | 4,000 lbs. | 6,000 lbs. | 10,000 lbs. | 20,000 lbs. |
| Protección contra caídas* | 400 lbs. | 400 lbs. | 400 lbs. | 400 lbs. | 400 lbs. |
| A | 3" - 8" | 3" - 8" | 3.5" - 13" | 3.5" - 13" | 3.5" - 13" |
| B | 14.75" | 14.75" | 20.5" | 20.5" | 22" |
| C | 2.51" | 2.91" | 3.94" | 4.41" | 4.72" |
| D | 0.9" | 0.9" | 1.5" | 1.5" | 1.6" |
| E | 9.5" | 9.5" | 11" | 11" | 11.5" |
| F | 4.75" - 5.75" | 4.75" - 5.75" | 7.5" - 9" | 7.5" - 9" | 5.5" - 9.375" |
| G | 1.75" | 1.75" | 2.5" | 2.5" | 4" |
| H | .75" | .875" | .975" | 1.125" | 1.625" |
| Peso Neto | 9 lbs. | 11 lbs. | 22 lbs. | 26 lbs. | 39 lbs. |

*Usuario y herramientas combinados.

Instalación

Verifique si hay daños durante el envío antes de la instalación. No instale ni use un producto dañado. Asegúrese de mantener registros de toda la información del producto que lo acompaña. Póngase en contacto con su distribuidor OZ Lifting Products LLC® si tiene algún problema o pregunta. Lea y cumpla con todas las instrucciones y advertencias suministradas o adjuntas al producto, según corresponda.



1. Abra las mordazas de la abrazadera girando la manija del eje en sentido antihorario.
2. Centre la abrazadera de viga en la viga.
3. Gire la manija del husillo en sentido horario para cerrar las mordazas de la abrazadera.
4. Asegúrese de que las mordazas estén lo suficientemente apretadas para que la abrazadera de la viga no pueda deslizarse sobre la viga.
5. Apriete la contratuerca con la mano en el eje para que entre en contacto con el pin de pivote roscado.
6. Apriete la contratuerca una vuelta adicional de 1/8 a 1/4 con una llave u otra herramienta adecuada.

NOTA: Consulte los manuales de todos los demás componentes de su sistema personal de protección contra caídas para asegurarse de que esos componentes se usen correctamente y cumplan con todas las normas aplicables. La **abrazadera de viga** no está diseñada para deslizarse sobre la estructura en la que está instalada.

Advertencia: los operadores de la abrazadera de viga deben leer y comprender completamente este manual y todas las advertencias en la abrazadera antes de su uso. Si este manual no se lee y se sigue por completo, pueden producirse lesiones. El uso adecuado de esta abrazadera de viga es solo una parte de la operación segura de su sistema personal de protección de caídas. Asegúrese de que todos los componentes de su sistema personal de detención de caídas se estén utilizando correctamente y estén en buenas condiciones.

Todas las personas DEBEN:

Capacitarse en el funcionamiento adecuado y en el manejo de posibles fallos de funcionamiento de los sistemas personales de protección de caídas.

Abstenerse del uso de alcohol, medicamentos o drogas durante la operación.

Evite la operación mientras está cansado o distraído.

Evite la operación si tienen antecedentes de convulsiones u otros problemas médicos que pueden interferir con la operación.

NOTA: Antes de la operación, asegúrese de que la abrazadera del viga esté en buenas condiciones de funcionamiento y que los registros de mantenimiento estén actualizados. Consulte el manual de su dispositivo de protección contra caídas específico para una operación adecuada.

Mantenimiento, limpieza y almacenaje

Asegúrese de que el área de trabajo esté libre de escombros, podredumbre, óxido, descomposición, grietas y materiales peligrosos. Se requiere un área de trabajo estable para su uso.

La suciedad, los corrosivos y los contaminantes deben limpiarse con agua según sea necesario. Se puede usar jabón suave si es necesario, aunque es obligatorio enjuagar y secar completamente. Lubrique ligeramente todas las piezas móviles después de la limpieza. Nunca limpie la **abrazadera de viga** con sustancias corrosivas.

Siempre guarde su **abrazadera de viga** donde no esté expuesta al calor, luz, humedad excesiva, productos químicos u otros elementos.

Inspección

Para mantener la operación de calidad del producto, cada operador debe seguir un cronograma de inspección regular. Todas las inspecciones deben informarse y mantenerse en un registro de registro fechado al final de este manual. Notará que la primera entrada se realizó cuando la abrazadera pasó una inspección antes de abandonar la sede de OZ Lifting Products. Estos registros deben estar disponibles para todo el personal involucrado con el producto y deben estar disponibles para OZ Lifting Products LLC® cuando se trate de un problema de garantía.

Los operadores deben inspeccionar las **abrazaderas** antes de cada uso. Cada abrazadera debe pasar una inspección por una persona calificada cada seis meses para permanecer en servicio. Inspeccione por desgaste, daños, cortes, grietas, corrosión, daños por impacto, hoyos, rebabas, superficies rugosas, bordes afilados, óxido, acumulación de pintura, calentamiento excesivo, alteración y etiquetas faltantes o ilegibles. Durante cualquier inspección, compruebe también que la abrazadera funciona suavemente y que las roscas del husillo estén en buenas condiciones. Asegúrese de que la contratuerca esté presente en la varilla roscada del husillo. Si se observa algún problema, la **abrazadera de viga** debe dejarse fuera de servicio hasta que pueda repararse. Use solo OZ Lifting Products LLC® para piezas de repuesto. La **abrazadera de viga** debe llevarse anualmente a un centro de reparación autorizado para su inspección profesional.

Clasificaciones de trabajadores

Persona designada: la persona que es seleccionada o asignada como competente para realizar tareas específicas.

Persona calificada: la persona que, mediante la posesión de un título o certificado reconocido de prestigio profesional, o mediante amplios conocimientos, capacitación y experiencia, ha demostrado con éxito que puede resolver problemas relacionados con el tema y el trabajo.

Advertencias de seguridad

Abrazadera de viga (uso personal de protección contra caídas)

- No utilice ninguna abrazadera que no haya pasado la inspección de una persona calificada en los últimos seis meses.
- No altere ni use mal el equipo.
- No lo use de manera no conforme.
- No opere en un lugar de trabajo que no haya sido evaluado para su uso adecuado.
- No compre sistemas personales de detención de caídas usados.
- No utilice arneses y conectores no conformes.
- No opere sin un procedimiento de rescate en su lugar.
- No lo use para colgar, levantar, sostener o levantar herramientas o equipos.
- No utilice sin registros de inspección adecuada.
- No utilice la abrazadera de la viga como punto de anclaje para más de un sistema personal de detención de caídas.

Abrazadera de viga (uso de manejo de materiales)

- No levante más del rango de carga designado.
- No levante personas ni levante cargas sobre las personas.
- No opere un producto dañado o que funcione mal.
- No quite, desfigura ni cubra las etiquetas de advertencia.
- No opere hasta que el personal esté advertido y despejado del área.
- No lo use si la carga no está suspendida verticalmente.
- No use la abrazadera de viga sin bloquearla firmemente en su lugar.
- No use la abrazadera de viga como tierra de soldadura.
- No agregue piezas alargadoras a la palanca de sujeción de la viga.
- No suelde sobre la carga levantada.
- No abra la abrazadera de la viga cuando esté sosteniendo una carga.
- No utilice abrazaderas de viga en ambientes corrosivos.
- No use conexiones entre la abrazadera y la carga.
- No permita que la carga se balancee.



ADVERTENCIA: No leer y cumplir con estas advertencias de seguridad puede provocar una situación peligrosa que podría provocar la muerte, lesiones graves o daños a la propiedad.



FALL PROTECTION

P.O. Box 845, Winona, MN 55987

Phone (800) 749-1064

(507) 474-6250

Tech Support (507) 457-3346

Fax (507) 452-5217

sales@ozliftingproducts.com

www.ozliftingproducts.com