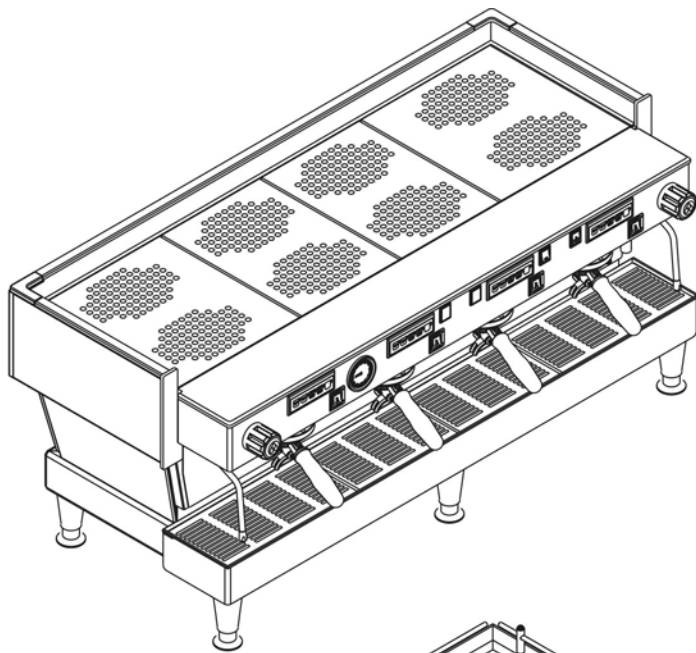
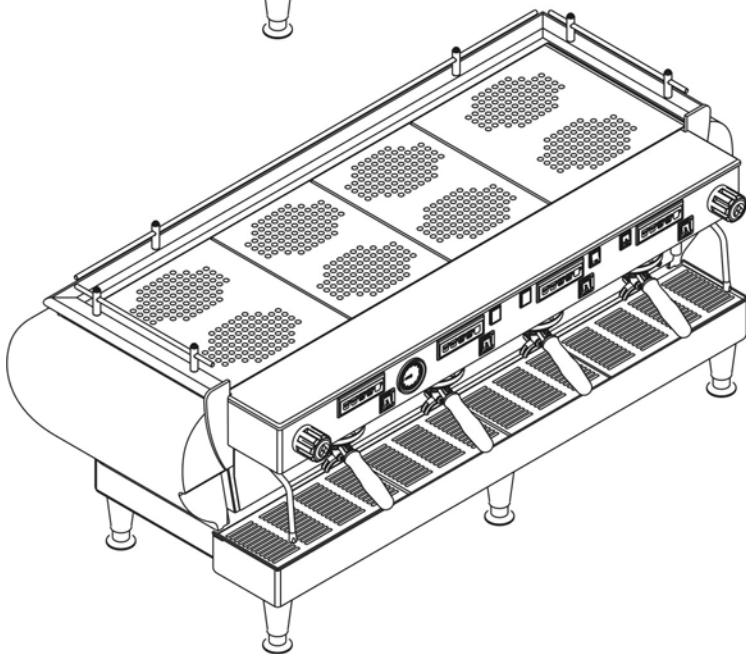




MACCHINE
DA CAFFÈ ESPRESSO
DAL 1927



Linea



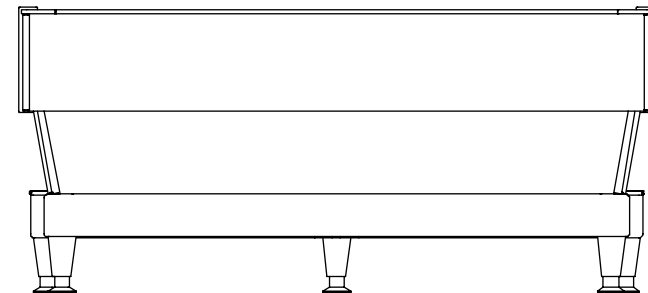
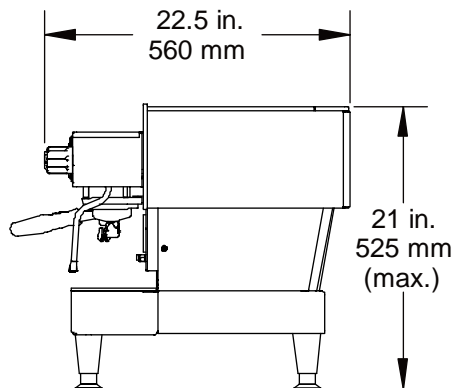
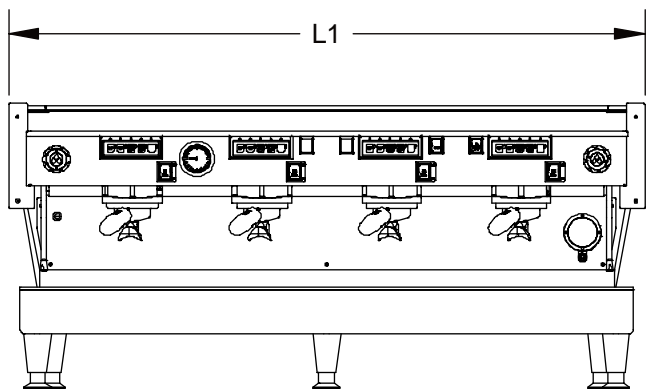
FB70

CATALOGO RICAMBI
PARTS CATALOG

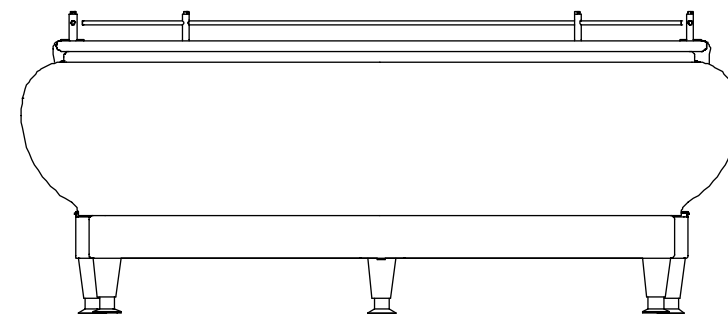
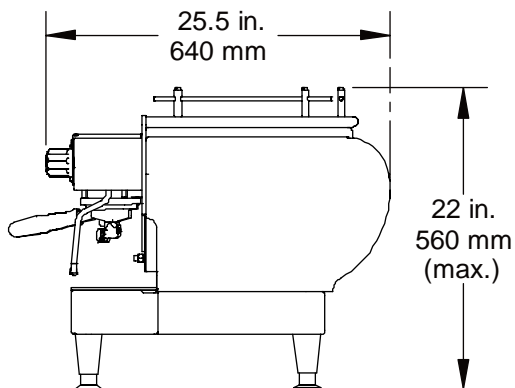
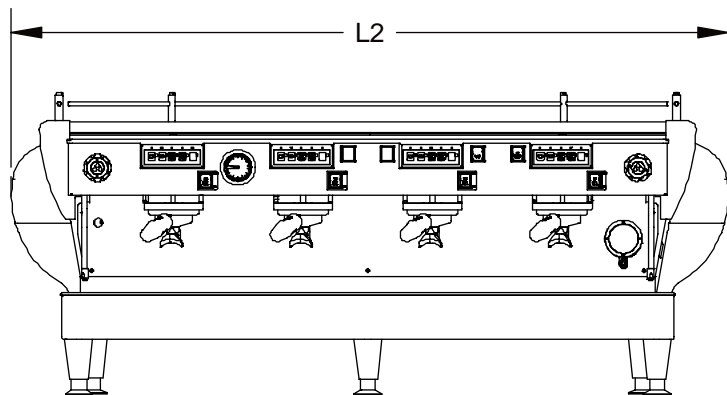


Specifications

Linea



FB70



© 2005 La Marzocco, s.r.l. - Via Bolognese, 68 - Pian di San Bartolo, 50010 Firenze, Italia - Tel +39.055.401.390 - Fax +39.055.401.349

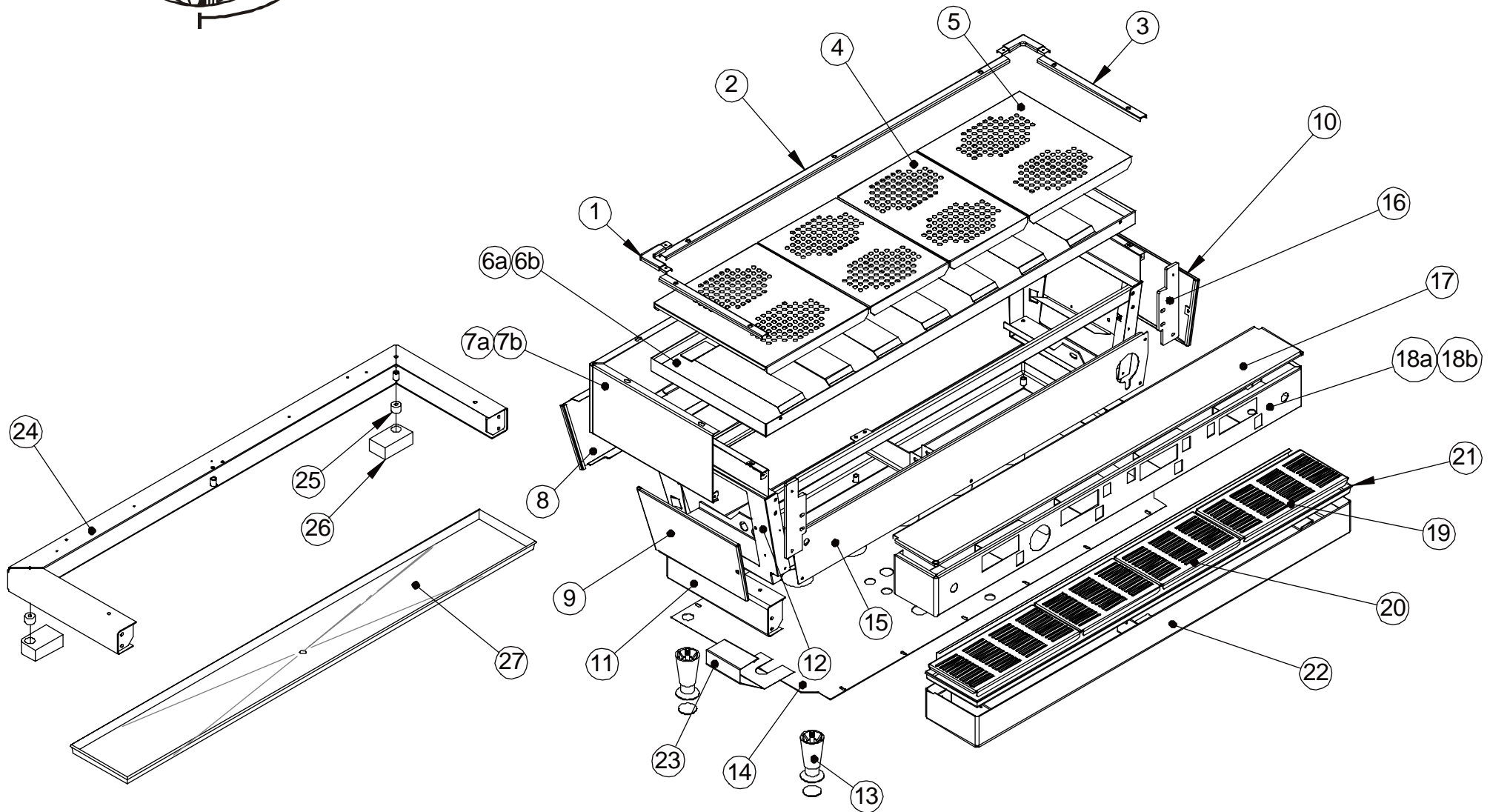


Specifications

Carratteristiche Tecniche	L1	20 in. 490 mm	28 in. 690 mm	37 in. 930 mm	46 in. 1170 mm
	L2	n/a	33 in. 840 mm	43 in. 1080 mm	52 in. 1320 mm
	Approximate Shipping Weight	150 lbs. 68 kg	200 lbs. 91 kg	225 lbs. 102 kg	275 lbs. 125 kg
	Electrical Voltage	220VAC Single Phase 380VAC Three Phase	220VAC Single Phase 380VAC Three Phase	220VAC Single Phase 380VAC Three Phase	220VAC Single Phase 380VAC Three Phase
	Brew Boiler Wattage	1000 Watts	1400 Watts	1900 Watts	*2800 Watts
	Steam Boiler Wattage Low	1300 Watts	2000 Watts	3000 Watts	3800 Watts
	High	1300 Watts	3000 Watts	4000 Watts	5000 Watts
	Total Wattage	2500 Watts	4600 Watts	6100 Watts	7800 Watts
	Required Available Amperage	15 amps	25 amps	35 amps	45 amps
	Brew Boiler Capacity (liters)	1.8	3.4	5.0	6.8
	Steam Boiler Capacity (liters)	3.5	7.0	11.0	15.0
	Total Capacity (liters)	5.3	10.4	16.0	21.8

*Dual 1400 Watt Element

Body Panel Assembly - Linea

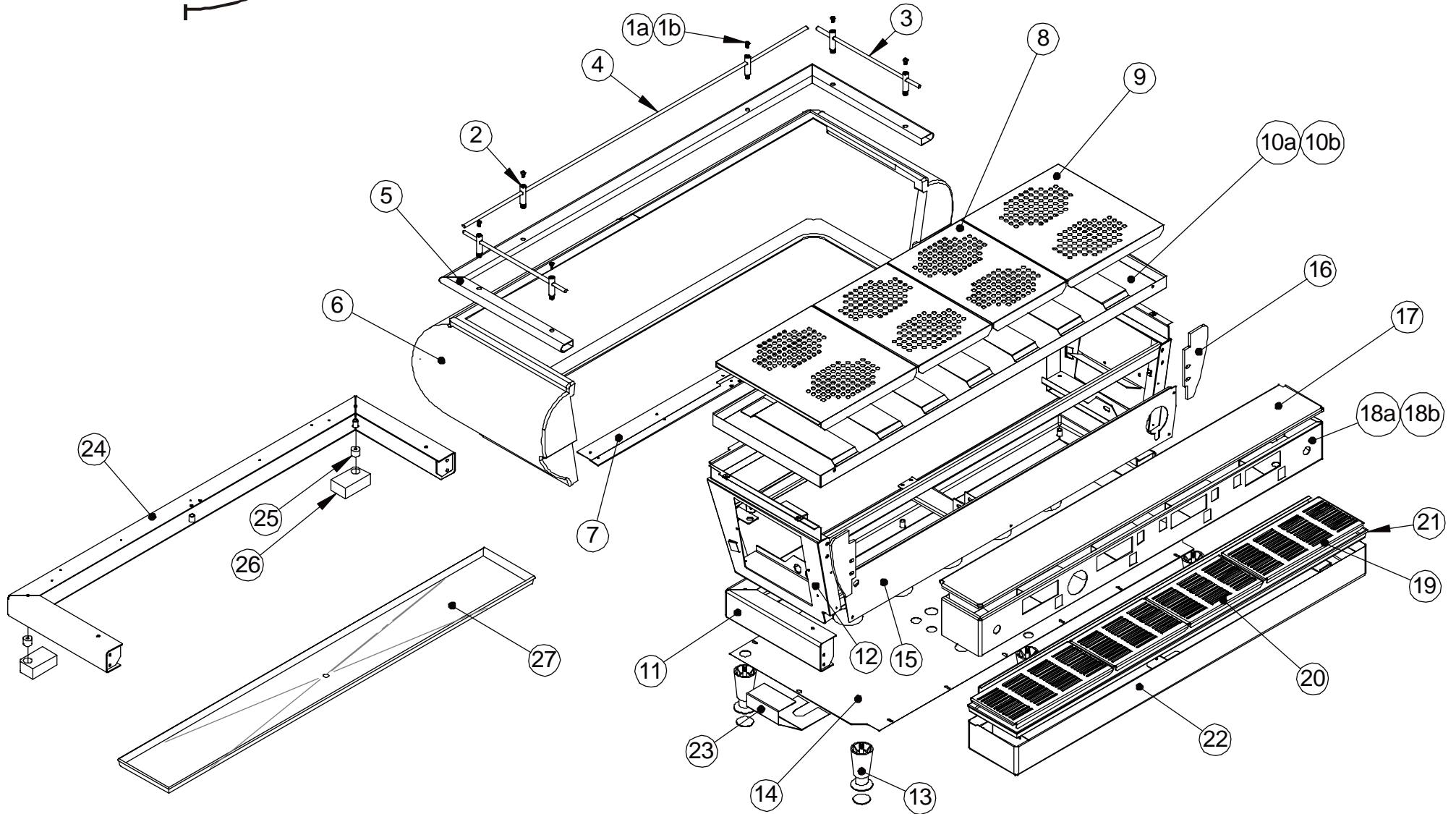


Body Panel Assembly - Linea

Item	Part Number/Codice	DESCRIPTION	DESCRIZIONE
1	CL24/AN	trim, top corner, black	angolare nero terminale superiore
2	CL24/*N	trim, top center, black, *gr	cornice terminale da 1 a 4 gruppi
3	CL24/LN	trim, top side, black	laterale nero terminale superiore
4	CL20/M	grate, cup tray, 240 mm	piano portatazze superiore intermedio
5	CL20	grate, cup tray, 320 mm	piano portatazze superiore laterale
6a	CL19/*	cup tray, *gr	vassoio scaldatazze, 1 a 4 gruppi
6b	CL19/*A	cup tray assembly, *gr (with hole guards)	vassoio scaldatazze, 1 a 4 gruppi
7a	CL23/*N	surround, 5pc assy, *gr, black	fascione frontale nero, 1 a 4 gruppi
7b	CL23/*	surround, 1pc, *gr	usa only
8	CL22/*	cover, back, *gr	pannello frontale, 1 a 4 gruppi
9	CL21/SX	cover, left side	fianchetto sinistro - acc. inox
10	CL21/DX	cover, right side	fianchetto destro - acc. inox
11	CL02/*NA	high base, rear, black, linea, 79mm	base alta, 1 a 4 gruppi, colore nero
12	CL03/*	frame complete, *gr, linea	telaio, 1 a 4 gruppi
13a	CL001/1	NSF leg	gamba alta regolabile
13b	CL001/1G	pad, rubber, for high leg	gommini per gambe alte
14	CL03/*PR	bottom plate, *gr	schermatura inferiore, 1 a 4 gruppi
15	CL16/*	panel, sight glass, *gr	pannello manovra, 1 a 4 gruppi
16	CL13/DS N	trim, frame, front, linea	fiancatina dx/sx colore nero
17	CL15/*	cover, control panel, *gr	copertura carenatura, 1 a 4 gruppi
18a	CL14/*AV	control panel, av, *gr	carenatura, av, 1 a 4 gruppi
18b	CL14/*EE	control panel, ee, *gr	carenatura, ee, 1 a 4 gruppi
19	CL18	grate, drain tray, 320 mm	portatazze inferiore laterale
20	CL18/M	grate, drain tray, 240 mm	portatazze inferiore intermedio
21	CL17/*A	drain tray, *gr, high	vaschetta scarico per base alta, 1 a 4 gr.
22	CL01/*	base, front, *gr	basamento ant. 1 a 4 gruppi acc. inox
23	CL29	pitcher stand	staffa per bricco
24	CL02/*N	low base, rear, black, linea, 55mm	base bassa, 1 a 4 gruppi, colore nero
25	CL00	leg support	supporto piedini
26	CL001	leg, rubber (low)	zoccolino in gomma
27	CL17/*	drain tray, *gr, low	vaschetta scarico, 1 a 4 gruppi

Carrozzeria - Linea

Body Panel Assembly - FB70





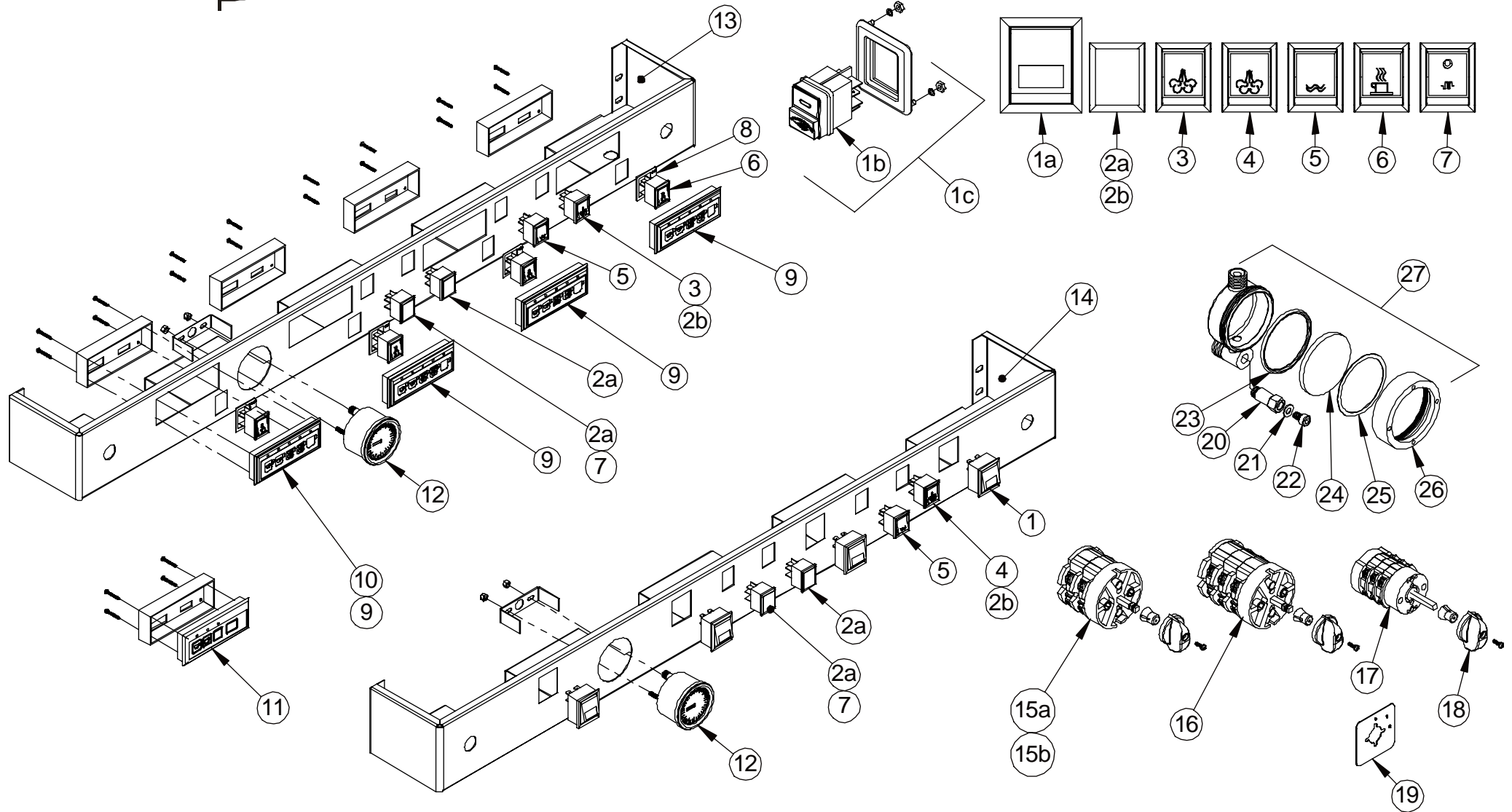
Body Panel Assembly - FB70

Item	Part Number/Codice	DESCRIPTION	DESCRIZIONE
1a	C027/PS	set screw M6X1 X 6mm, SS	grano acc.inox 6x6
1b	C027/PS	screw M6X1 X 10mm, SS (NSF models only)	usa/nsf only
2	C027/P	post, railing, FB70	perno ringhiera cromato, 2 a 4 gruppi
3	C027/L	railing, top side FB70	ringhiera laterale sup., 2 a 4 gruppi
4	C027/*	railing, top rear, FB70, *gr	ringhiera superiore, 2 a 4 gruppi
5	C024/*V	trim, top, 1pc, black, *gr	cornice superiore verniciato, 2 a 4 gruppi
6	C023/*V	body, painted, FB70 red	frontale per FB70 verniciato, 2 a 4 gruppi
7	C023/*ST	bracket, front, FB70 body, *gr	staffa per frontale FB70, 2 a 4 gruppi
8	CL20/M	grate, cup tray, 240 mm	piano portatazze superiore intermedio
9	CL20	grate, cup tray, 320 mm	piano portatazze superiore laterale
10a	CL19/*	cup tray, *gr	vassoio scaldatazze, 1 a 4 gruppi
10b	CL19/*A	cup tray assembly, *gr (with hole guards)	vassoio scaldatazze, 1 a 4 gruppi
11	CL02/*FB70NA	high base, rear, black, FB70, 79mm	base alta, 1 a 4 gruppi, colore nero
12	CL03/*FB70	frame complete, *gr, FB70	telaio FB70, 1 a 4 gruppi
13a	CL001/1	NSF leg	gamba alta regolabile
13b	CL001/1G	pad, rubber, for high leg	gommini per gambe alte
14	CL03/*PR	bottom plate, *gr	schermatura inferiore, 1 a 4 gruppi
15	CL16/*	panel, sight glass, *gr	pannello manovra, 1 a 4 gruppi
16	C013/DS V	trim, frame, front, FB70	fiancatina dx/sx colore nero
17	CL15/*	cover, control panel, *gr	copertura carenatura, 1 a 4 gruppi
18a	CL14/*AV	control panel, av, *gr	carenatura, av, 1 a 4 gruppi
18b	CL14/*EE	control panel, ee, *gr	carenatura, ee, 1 a 4 gruppi
19	CL18	grate, drain tray, 320 mm	portatazze inferiore laterale
20	CL18/M	grate, drain tray, 240 mm	portatazze inferiore intermedio
21	CL17/*A	drain tray, *gr, high	vaschetta scarico per base alta, 1 a 4 gr.
22	CL01/*	base front	basamento ant. 1 a 4 gruppi acc. inox
23	CL29	pitcher stand	staffa per bricco
24	CL02/*FB70N	low base, rear, black, FB70, 55mm	base bassa, 1 a 4 gruppi, colore nero
25	CL00	leg support	supporto piedini
26	CL001	leg, rubber (low)	zoccolino in gomma
27	CL17/*	drain tray, *gr, low	vaschetta scarico, 1 a 4 gruppi

Carrozeria - FB70

© 2005 La Marzocco, s.r.l. - Via Bolognese, 68 - Pian di San Bartolo, 50010 Firenze, Italia - Tel +39.055.401.390 - Fax +39.055.401.349

Control Panel Assembly





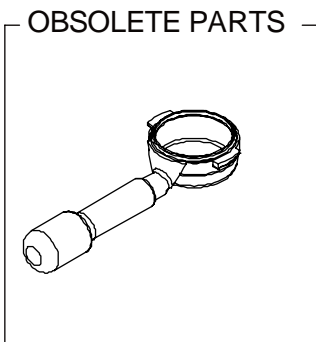
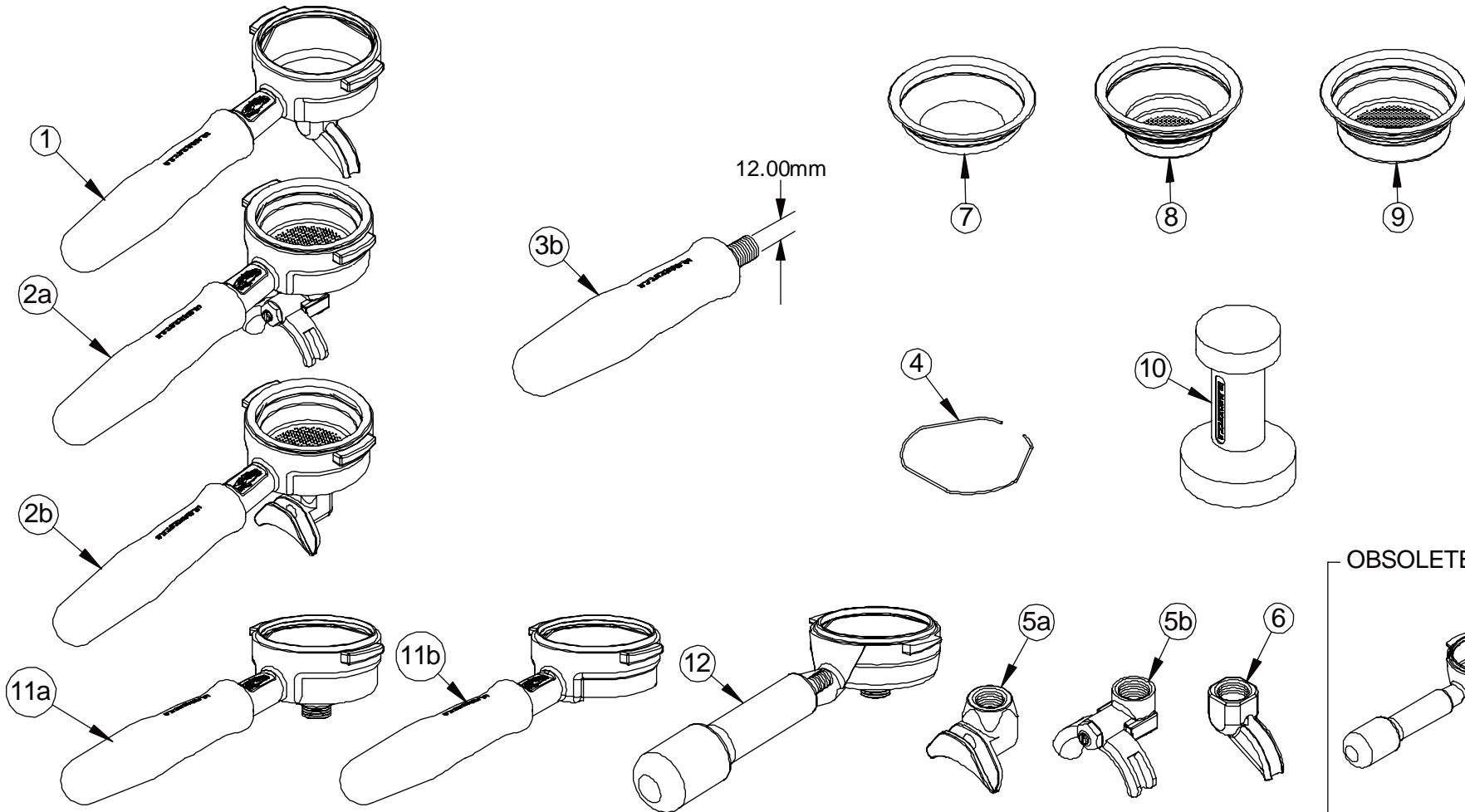
Control Panel Assembly

Item	Part Number/Codice	DESCRIPTION	DESCRIZIONE
1a	L287	switch, manual brew, ee (DISCONTINUED)	interruttore gruppo mod. "EE"
1b	L283	switch, manual brew, ee	interruttore gruppo mod. "EE"
1c	L283/C	switch, manual brew, ee, complete with bezel	
2a	L288	pilot light	segnalatore luminoso
2b	L284	switch, blank cover, black	tappo nero
3	L286/1	switch, hot water, av	pulsante tasto bianco vapore nero
4	L285/2	switch, hot water, ee	interruttore tasto bianco vapore nero
5	L286	switch, steam boiler, manual fill	pulsante tasto bianco simbolo acqua
6	L285/1	switch, manual brew, av	interruttore tasto bianco tazza nera
7	L285	switch, cup warmer, white w/red lgt	interruttore tasto bianco led rosso
8	L285/T	label, brew switch, OFF/ON	targhetta interruttore OFF/ON
9	LAD3D5/P	keyboard, 3D5, w/o tea	pulsantiera 3D5 senza thé
10	LAD3D5/THE	keyboard, 3D5, with tea	pulsantiera 3D5 con thé
11	LAD3D5/P3C	keyboard, 3D5, cronos	pulsantiera cronos
12	L280	pressure gauge	manometro doppia scala
13	CL14/*AV	control panel, av, *gr	carenatura, av, 1 a 4 gruppi
14	CL14/*EE	control panel, ee, *gr	carenatura, ee, 1 a 4 gruppi
15	L400/25	main power switch, 32 amp, single phase	commutatore bipolare 32 Amp
16a	L400/32	main power switch, 40 amp, single phase	commutatore bipolare 40 Amp
16b	L400/32T	main power switch, 40 amp, three phase	commutatore tripolare 40 Amp
17	L400/17T	main power switch, 20 amp, three phase	commutatore tripolare 20 Amp
18	L400/K	knob, main power switch	manopola per commutatore
19	L400/T	main power switch bezel, 0-1-2	targhetta 0-1-2
20	L120/1CR	drain fitting, sight glass	raccordo svuotaggio cromato
21	L120/2A	copper washer bleed screw	rondella rame 12x6x1
22	L120/2	bleed screw	bullone acc.inox 6x10 t.brug.
23	L122/A	o-ring, sight glass	guarnizione or 8-162 viton
24	L122	glass bezel, sight glass	vetro livello dm.61,5x5 spess.
25	L122/B	fiber gasket, sight glass	guarnizion piana 62x55x0,5
26	L121	sight glass chrome bezel	ghiera livello cromata
27	L120/C	sight glass, complete	livello completo

Pannello di Controllo

© 2005 La Marzocco, s.r.l. - Via Bolognese, 68 - Pian di San Bartolo, 50010 Firenze, Italia - Tel +39.055.401.390 - Fax +39.055.401.349

Portafilter Assembly



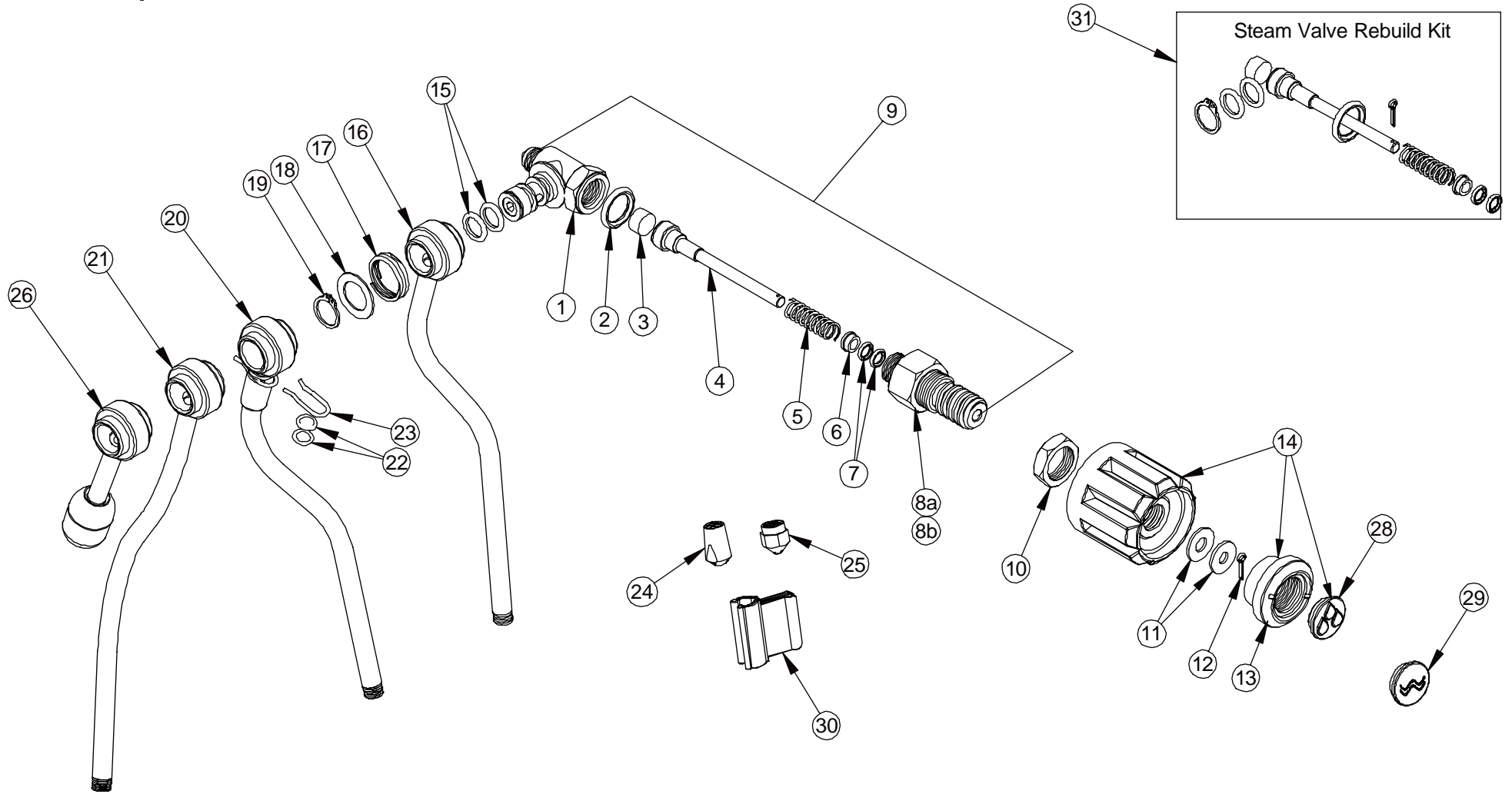


Portafilter Assembly

Item	Part Number/Codice	DESCRIPTION	DESCRIZIONE
1	L111/1	lion portafilter with 1 cup spout	portafiltro a una tazza
2a	L111/2	lion portafilter with 2 cup spout (L116/R)	portafiltro a due tazze (L116/R)
2b	L111/2N	lion portafilter with 2 cup spout (L119)	portafiltro a due tazze (L119)
3	L112/G12	lion portafilter handle - rubber, 12mm	manopola portafiltro in gomma, 12mm
4	L113	portafilter spring	molletta fermafiltro
5a	L119	La Marzocco double spout	beccuccio a due tazze fisso, La Marzocco
5b	L116/R	2 cup spout, adjustable	beccuccio a 2 tazze regolabile
5c	L116	La Marzocco double spout - old style	beccuccio a due tazze fisso, La Marzocco
6	L115	1 cup spout	beccuccio a 1 tazza
7	L115/C	blind portafilter basket	filtro cieco per lavaggio
8	L115/A	single portafilter basket (hand tamp)	filtro a 1 tazza
9	L116/A	double portafilter basket (hand tamp)	filtro a 2 tazze
10	L117	tamper (plastic)	pressacaffè
11	L111/LM12	portafilter assembly, lion embossed	portafiltro compl. di manopola + molla
12	L111/15D	portafilter assembly, 15° inclined	portafiltro 15° inclin. con manop. + molla

Portafiltri

Steam Wand Assembly





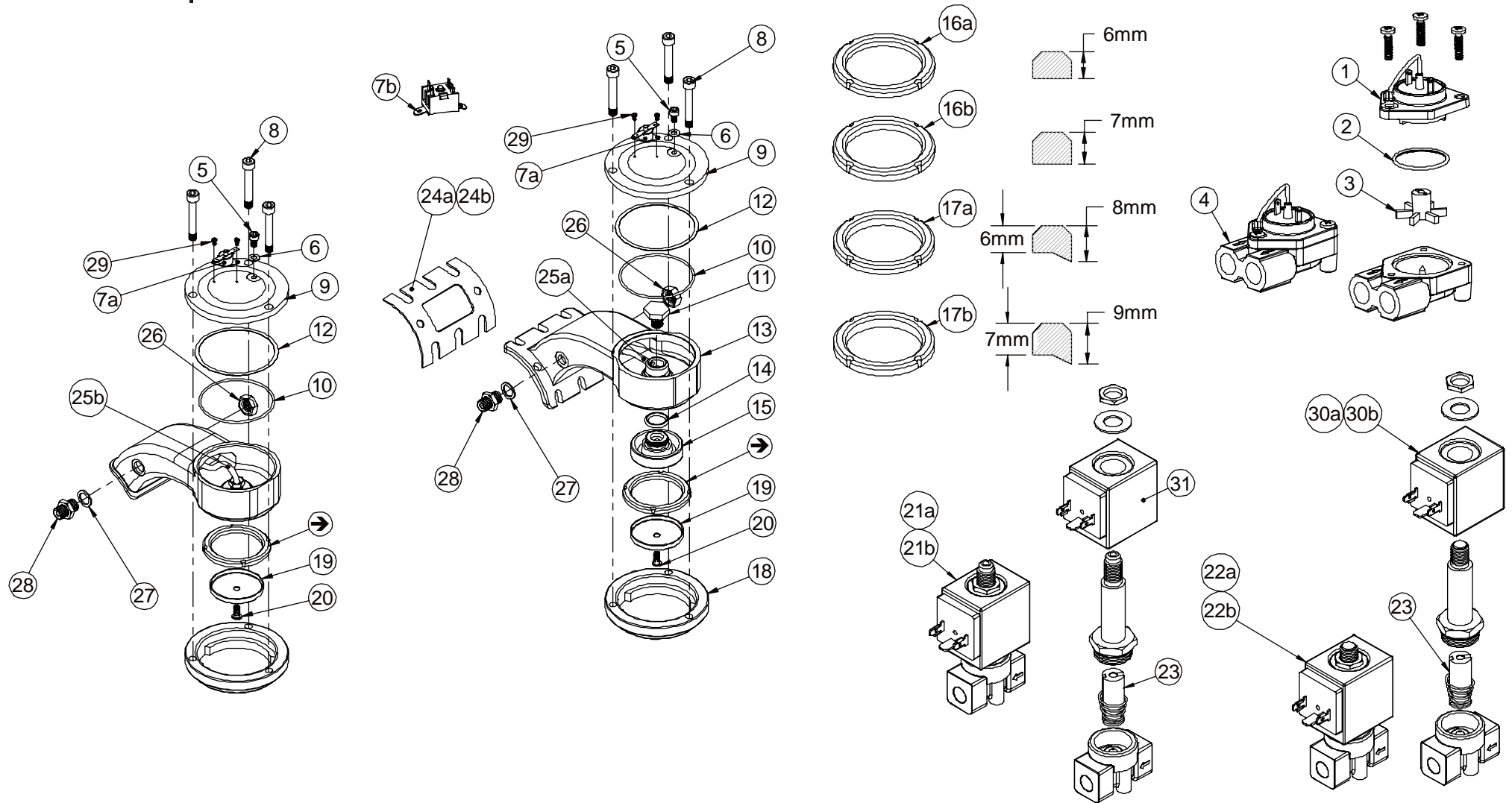
Steam Wand Assembly

Item	Part Number/Codice	DESCRIPTION	DESCRIZIONE
1	L167	steam valve body	corpo rubinetto
2	L167/1	copper crush washer	rondella ottone x snodo
3	L165/5	seat gasket	guarnizione piana x stelo rubinetto
4	L169	steam valve shaft with seat gasket	stelo rubinetto con guarn. Piana
5	L165/4	spring, steam valve shaft	molla ritorno stelo
6	L165/7	bushing, steam valve shaft	bussola ottone x stelo
7	L165/6	o-ring, steam valve shaft	guarn. or 85 viton x stelo rubinetto
8a	L168	housing, steam valve shaft, 2mm	raccordo rubinetto passo lungo
8b	L168/0	housing, steam valve shaft, 1mm	raccordo rubinetto passo corto
9	L165	steam valve assembly, 2mm pitch	rubinetto vapore passo lungo
10	L168/1	mounting nut, steam valve	dado 1/2" bloccaggio rubinetto
11	L165/9	washer, steam valve knob	rondella zincata 18x16x1,5
12	L165/8	cotter pin, steam valve knob	copiglia fermo volantino
13	L165/M	bezel, steam knob, black	ghiera per volantino
14	L165/V	steam valve knob with insert	volantino passo lungo + ghiera
15	L167/2	o-ring, steam wand	guarn. or 8-9 viton x snodo
16	L170/DX	steam wand, ss, 60 right (custom)	tubo vapore sx. fisso lungo
17	L165/1	spring, steam wand	molla snodo vapore
18	L165/2	washer, steam wand	rondella ottone x snodo
19	L165/3	retaining ring, steam wand	anello seeger x snodo
20	L171	steam wand assembly	tubo vapore fisso completo
21	L170/SX	steam wand, ss, 60 left (custom)	tubo vapore dx. fisso
22	L171/2	o-ring viton steam valve swivel	guarnizione or viton per tubo vapore
23	L171/3	hair pin cotter, steam wand	copiglia per tubo vapore
24	L173	tip, steam wand, ss	spruzzatore inox x tubo vapore
25	L172	steam wand tip, linea	spruzzatore x tubo vapore 1/8"
26	TL18	tube, hot water, 1 group	tubo acqua calda 1gr. acc.inox
27	L135	spout, for hot water, chrome plated	rompigetto cromato
28	L165/MV	bezel insert, steam knob, white	tappo simbolo vapore
29	L165/MA	bezel insert, hot water, white	tappo simbolo acqua calda
30	L171/C	anti-burn clip for steam wand	clip antiscottatura per tubo vapore
31	L165/K	steam valve rebuild kit	kit rubinetto vapore

Lancia - Rubinetto Vapore

© 2005 La Marzocco, s.r.l. - Via Bolognese, 68 - Pian di San Bartolo, 50010 Firenze, Italia - Tel +39.055.401.390 - Fax +39.055.401.349

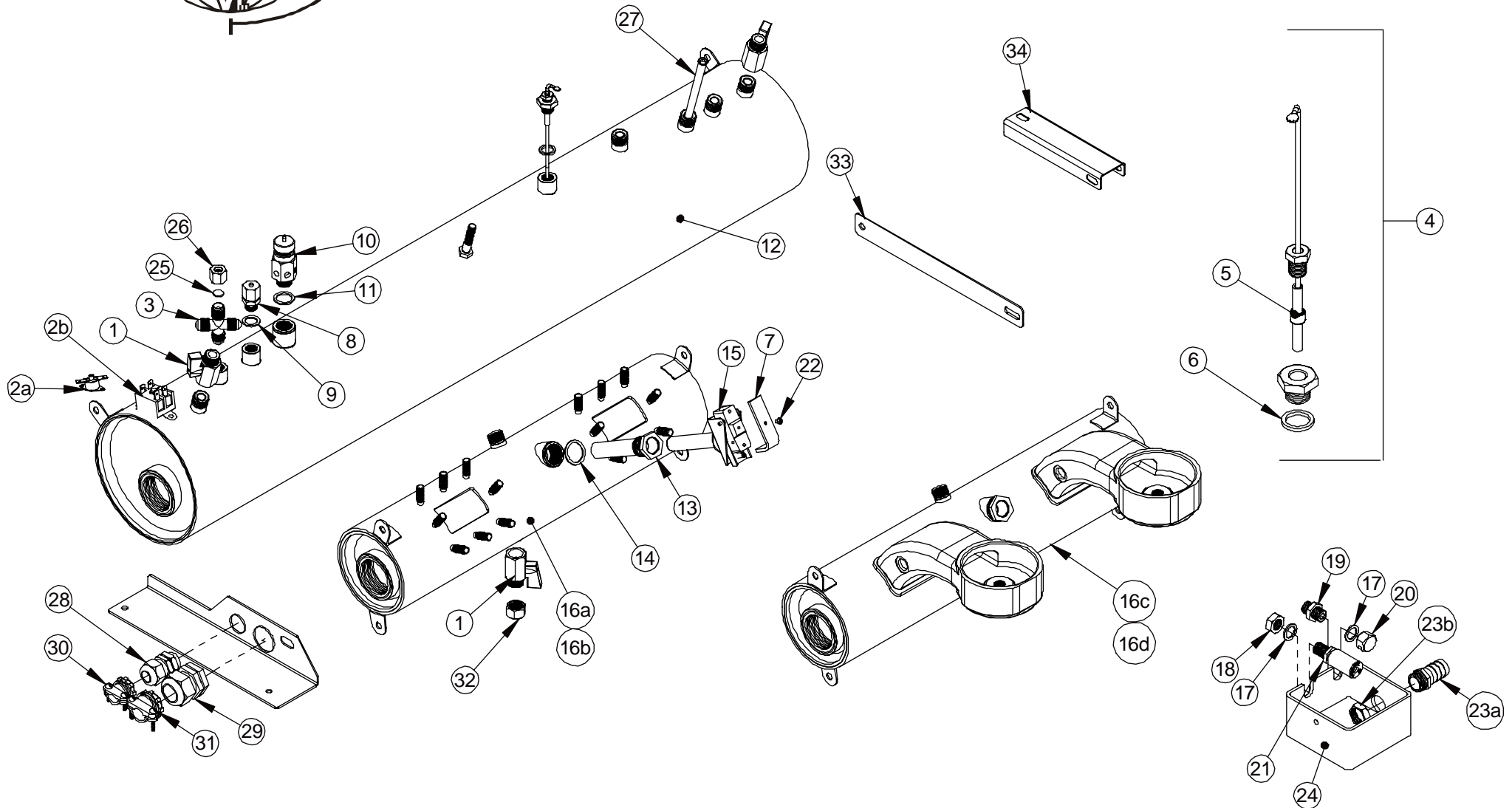
Group Assembly



Group Assembly

Item	Part Number/Codice	DESCRIPTION	DESCRIZIONE	
Gruppo	1	LAD070/S	flow meter sensor	testa per contatore volumetrico
	2	LAD070/S1	flow meter o-ring	guarn. or 8-2112 V. contatore volumetrico
	3	LAD070/V	flow meter impeller	girante per contatore volumetrico
	4	LAD070	flow meter assembly, complete	contatore volumetrico
	5	L120/2	bleed screw	bullone acc.inox 6x10 t.brug.
	6	L120/2A	bleed screw copper washer	rondella rame 12x6x1
	7a	L276	manual reset thermostat 250°F (single pole) (UL)	termostato sicurezza 130° cent. unipolare
	7b	L276/B	manual reset thermostat 250°F (bipolar) (CE)	termostato sicurezza 130° cent. bipolare
	8	L110	group bayonet bolt	bullone 8x55 t.brugola
	9	L103	group cover	coperchio gruppo cromato
	10	L103/A	group cover o-ring	guarnizione or 8-2-151 viton
	11	L100/3	banjo bolt	dado a stelo es.24mm
	12	L103/B	group fiber gasket	guarn. piana 87x81x0,5
	13	L100	group body	corpo gruppo cromato
	14	L105/A	diffuser o-ring	guarnizione or 8-126
	15	L105	diffuser	sede diffusore
	16a	L105/B6	6mm group gasket	guarn. sottocoppa 6mm
	16b	L105/B7	7mm group gasket	guarn. sottocoppa 7mm
	17a	L105/B8	8mm group gasket (standard)	guarn. sottocoppa 8mm (standard)
	17b	L105/B9	9mm group gasket	guarn. sottocoppa 9mm
	18	L109	bayonet ring	anello portacoppa cromato
	19	L107	diffuser screen	doccetta
	20	L106/V	diffuser screw	vite diffusore acc. inox dm.10
	21a	L100/E	solenoid valve assembly, 3 way, 220V	elettrovalvola 3 vie, 220V
	21b	L100/E200	solenoid valve assembly, 3 way, 200V	elettrovalvola 3 vie, 200V
	22a	L053	solenoid valve assembly, 2 way, 220V	elettrovalvola 2 vie, 220V
	22b	L053/200	solenoid valve assembly, 2 way, 200V	elettrovalvola 2 vie, 200V
	23	L100/H	solenoid plunger, 3 way and 2 way	nucleo mobile x elettrovalv. 3 vie o 2 vie
	24a	L100/A	gasket, group to boiler, silicone (please specify material)	guarnizione flangia gruppo
	24b	L100/A	gasket, group to boiler, paper (please specify material)	guarnizione flangia gruppo
25a	TL27	tube, banjo	tubo alimentazione interno gruppo	
25b	TL29	tube, internal group	tubo interno gruppo	
26	L100/5	locknut, 1/4" for TL27	controdada 1/4" gas es.20	
27	L100/1A	copper washer, 19X13.5X1.5	rondella rame 19X13.5X1,5	
28	L037/3	fitting, 1/4" BSPP to 1/4" BSPP	nipplo 1/4"M. es.19 nichelato	
29	VITEAUT2,9X4,5	#6 X 7/8" tri lobe self tap phillips	vite autofilet. fe.zin 2,9X4,5 testa cilindrica croce	
30a	L100/G	solenoid coil, 220V	bobina a 220V x elettrovalvola	
30b	L100/G200	solenoid coil, 200V	bobina a 200V x elettrovalvola	

Boiler Assembly



Boiler Assembly

Item	Part Number/Codice	DESCRIPTION	DESCRIZIONE
1	L164	ball valve	rubinetto a sfer 3/8" M-F
2a	L276	manual reset thermostat 250° (single pole) (UL)	termostato sicurezza 130°C unipolare
2b	L276/B	manual reset thermostat 250° (bipolar)	termostato sicurezza 130°C bipolare
3	L129	cross fitting	raccordo a croce 1/4" gas
4	LA052	autofill probe	sonda livello TL10/B mm.140
5	LA052/1	teflon insulator	isolatore in teflon per sonda
6	LA052/A	fiber washer for autofill probe	guarnizione sonda livello
7	L260/P	thermostat protective cover	protezione termostato
8	L190	vacuum breaker	valvola decompression 1/4" gas
9	L100/1A	copper washer, vacuum breaker	rondella rame
10	L180	pressure relief valve	valvola sicurezza 1,8 bar
11	L180/1	copper washer, pressure relief valve	rondella rame 22x17x1,5
12	L154/*VG	steam boiler (* specify group size)	caldaia vapore grande, 1 a 4 gruppi
13	TLG260	thermostat well	guaina termostato per caldaia satura
14	L260/1A	thermostat washer	rondella rame 26x21x2,5
15	L260	thermostat	termostato Fenwall +40 +150°C
16a	L152/*S	brew boiler (* specify group size)	caldaia satura, 1 a 4 gruppi
16b	L152/2D	brew boiler 4 group, right	caldaia satura, 2 a 4 gruppi, dx
16c	L152/*WS	brew boiler subassembly * group, type w (* group size)	caldaia satura, w tipo, 1 a 4 gruppi
16d	L152/2WD	brew boiler subassembly, 4 group, right, type w	caldaia satura, w, tipo, 2 a 4 gruppi, dx
17	L037/4	copper washer, drain box	rondella ot.26x14 tranciata
18	L146	expansion valve nut	dado 1/4" gas es.19
19	L037/3	fitting, 1/4" BSPP to 1/4" BSPP	raccordo 1/4" m es.19mm
20	L037/3R	break drain fitting	rompigetto es. 19mm
21	L140 C	expansion valve	valvola espansione completa
22	?????	nylon screw	?????
23a	L037/2PGR	fitting, drain box hose barb	portagomma dm. 20mm es.22
23b	L037/D	drain box nut	dado 1/2" gas esagono 23
24	L037	nylon drain box	pozzetto scarico
25	L137/4	blind ferrule, 11mm	ghiandola dm.11 chiusa
26	L130/2	nut, tube 1/4" X 6mm	raccordo f.1/4" es.16
27	TL07/G	tube, hot water siphon	tubo pescaggio acqua, caldaia vapore grande
28	L322/P	strain relief, pump cord	fermacavo piccolo + ghiera
29	L322/G	strain relief, power supply	fermacavo grande + ghiera
30	L322/PM	strain relief, pump cord, metallic	fermacavo piccolo, di metallo
31	L322/GM	strain relief, power supply, metallic	fermacavo grande, di metallo
32	L030	cap, 3/8" brass	dado cieco es. 19 filett 3/8"
33	CL10	boiler bracket, side, adjustable	staffa lunghezza
34	CL10/4	boiler bracket, upper, adjustable	staffa mobile x 4gr

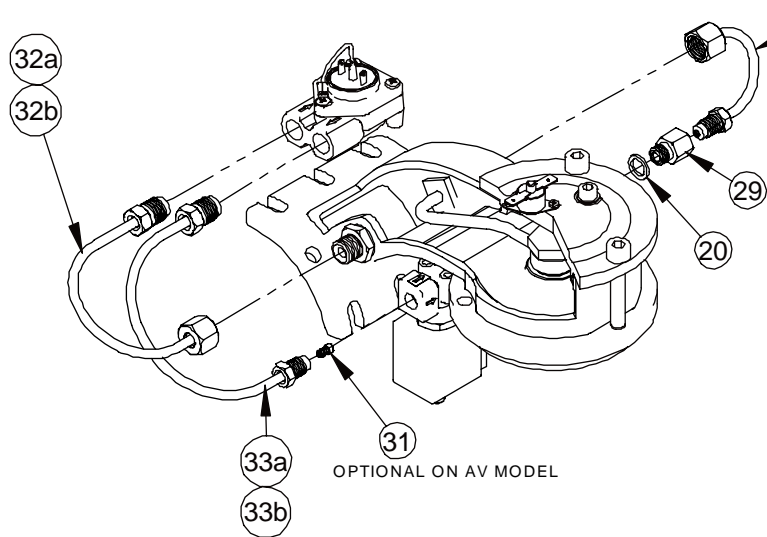
Caldaie

Hydraulic Assembly

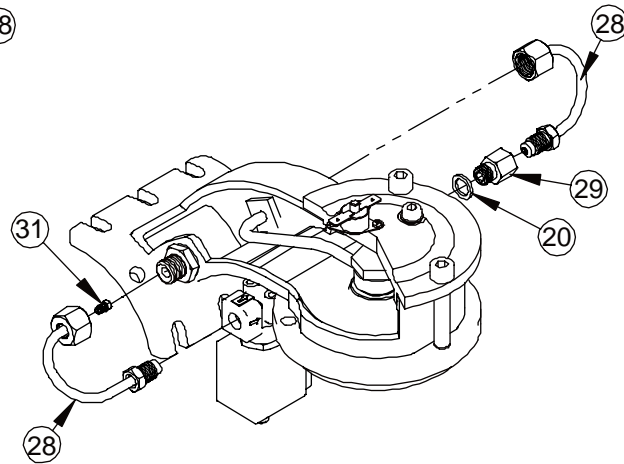
Item	Part Number/Codice	DESCRIPTION	DESCRIZIONE
1	TL09	tube, pressure switch to steam boiler	tubo pressostato-cald.vapore
2a	L270	pressure switch, P302/6 0,5-1,4	pressostato P302/6 0,5-1,4
2b	L270/UL	pressure switch, P302/8 0,5-1,4, (UL)	pressostato P302/8 0,5-1,4 omologato UL
2c	L270/1	pressure switch membrane kit	kit membrana per pressostato
2d	L271	pressure switch, 56122N	pressostato, 56122N
3	TL13	tube, steam boiler to steam valve	tubo cald.vap.-rubinetto vapore
4	TL06	tube, cross fitting to brew boiler	tubo crocera-caldaia satura
5	TL10	tube, cross fitting to pressure gauge	tubo manometro-caldaia vapore
6	L129	fitting, 1/4" cross	raccordo croce 1/4"gas
7a	TL05/3	tube, tee fitting to cross fitting 3gr	tubo collegamento crocere 3gr.
7b	TL05/4	tube, tee fitting to cross fitting 4gr	tubo collegamento crocere 4gr.
8	L128	fitting, 1/4" tee	raccordo a tee 1/4"gas
9a	TL11/1	tube, pressure gauge to brew boiler, 1gr	tubo manometro-caldaia satura 1gr.
9b	TL11/234	tube, pressure gauge to brew boiler, 2, 3 or 4gr	tubo manometro-cald.sat. 2/3/4gr.
10	TL06/A	tube, cross fitting to expansion valve	tubo crocera-valv.espansione
11	TL28/*	tube, solenoid valve to drain box *gr	tubo scarico elettrovalvola *gr.
12	TL08/234	tube, steam boiler to hot water solenoid valve	tubo cald.vap.-elettrovalvola acqua calda
13	TL01	tube, steam boiler to sight glass, upper	tubo livello superiore
14a	TL05/1	tube, check valve to steam boiler, 1gr	tubo valvola ritegno-cald.vapore 1gr.
14b	TL05/234	tube, check valve to steam boiler, 2, 3 or 4gr	tubo valvola ritegno-cald.vapore 2/3/4gr.
15	L032/P	check valve	valvola ritegno nichelata
16	TL03/A	tube, solenoid valve to check valve	tubo elettrovalvola-valvola ritegno cald.vapore
17	L134	fitting, 1/8" nut for 4mm tube	raccordo F.1/8" es.14 foro 4,5
18	L134/4	ferrule, 8mm blind	ghiandina dm.8 chiusa
19a	TL05/1S	tube, check valve to tee fitting, 1gr	tubo valvola ritegno-croc.caldaia satura 1gr.
19b	TL05/234S	tube, check valve to tee fitting, 2, 3 or 4gr	tubo valvola ritegno-croc.caldaia satura 2/3/4gr.
20	L100/D	copper washer	rondella rame 14X10X1,5
21	L053/1	fitting, 1/8" male to 1/4" male	raccordo M.1/8"-M.1/4" x elettrovalvola
22	TL03	tube, water inlet manifold to solenoid valve	tubo entrata acqua-caldaia vapore
23	L025/C	water inlet manifold	ancoraggio completo nichelato
25	TL04	tube, water inlet manifold to check valve	tubo entrata acqua-caldaia satura
26	TL02	tube, steam boiler to sight glass, lower	tubo livello inferiore

Impianto Idraulico

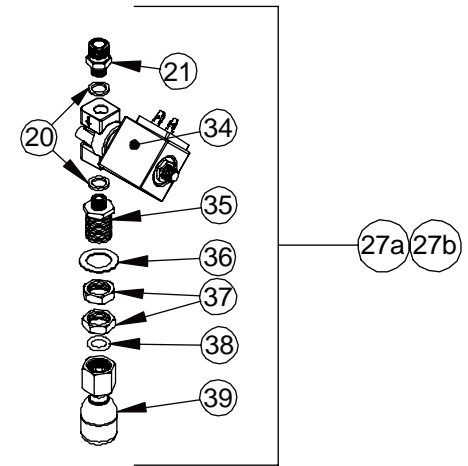
Hydraulic Assembly - Continued



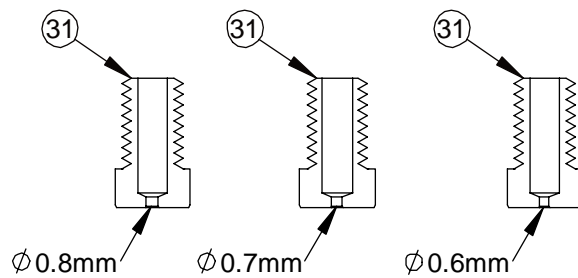
AV GROUP ASSEMBLY
GRUPPO PER MACCHINA AV



EE GROUP ASSEMBLY
GRUPPO PER MACCHINA EE



HOT WATER VALVE ASSEMBLY
RUBINETTO ACQUA CALDA

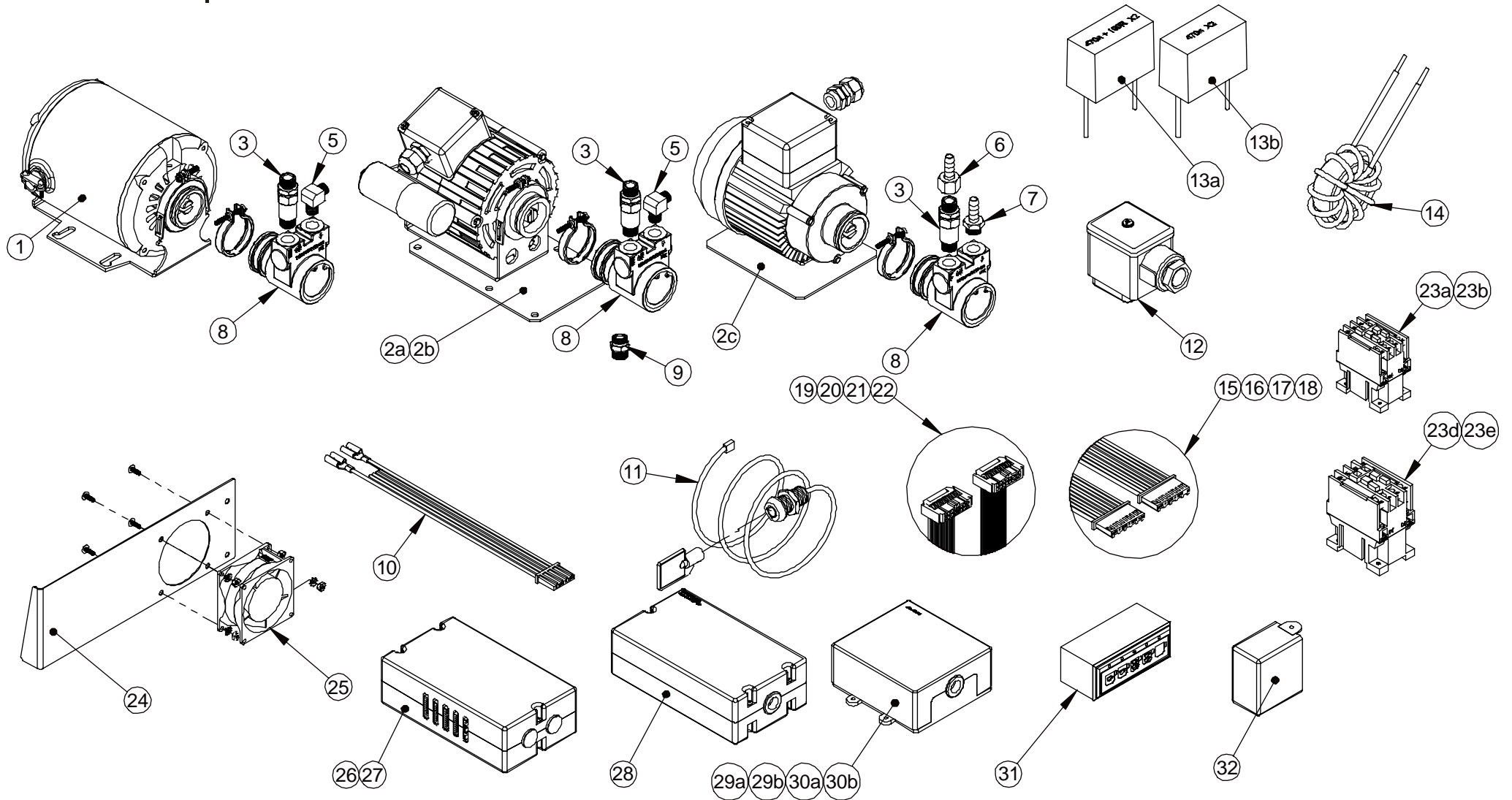




Hydraulic Assembly - Continued

Impianto Idraulico	Item	Part Number/Codice	DESCRIPTION	DESCRIZIONE
	27a	L053/C	hot water valve complete, 220V	valvola acqua calda completa, 220V
	27b	L053/C200	hot water valve complete, 200V	valvola acqua calda completa, 200V
	28	TL25/26	tube, solenoid valve to banjo tube	tubo gruppo-elettrovalvola
	29	L100/C	fitting, 1/8" male to 1/8" female	raccordo M.1/8"-F.1/8" elettrovalvola 3 vie
	31	L087/GI	gigler infusion jet, 0.8 mm	gigler es.5 mm. Foro dm.0,8
	32a	TLAD01/1	tube, cross fitting to flow meter, 1gr	tubo crocera-contatore volumetrico 1gr.
	32b	TLAD01	tube, group assembly to flow meter, 2, 3 or 4gr	tubo gruppo-contatore volumetrico, 2/3/4 gr.
	33a	TLAD02/1	tube, flow meter to brew boiler, 1gr	tubo contatore volumetrico-caldia satura 1gr.
	33b	TLAD02	tube, flow meter to solenoid valve, 2, 3 or 4gr	tubo contatore volumetrico-elettrovalvola 2/3/4 gr.
34a	L053	solenoid valve, 2 way, hot water, 220V	elettrovalvola 2 vie, 220V	
34b	L053/200	solenoid valve, 2 way, hot water, 200V	elettrovalvola 2 vie, 200V	
35	L053/2	fitting, solenoid valve to hot water spout	raccordo nichelato M.1/8"-M.3/8" elettrovalv.2 vie	
36	L165/2	washer, steam wand	rondella ottone x snodo 16X26X1	
37	L183/1	locknut, for hot water valve, chrome plated	controdado 3/8" cromato	
38	L169/A1	gasket, teflon, for hot water	guarnizione teflon FA 112	
39	L160	hot water spout assembly	diffusore acqua calda	

Electrical System and Pump



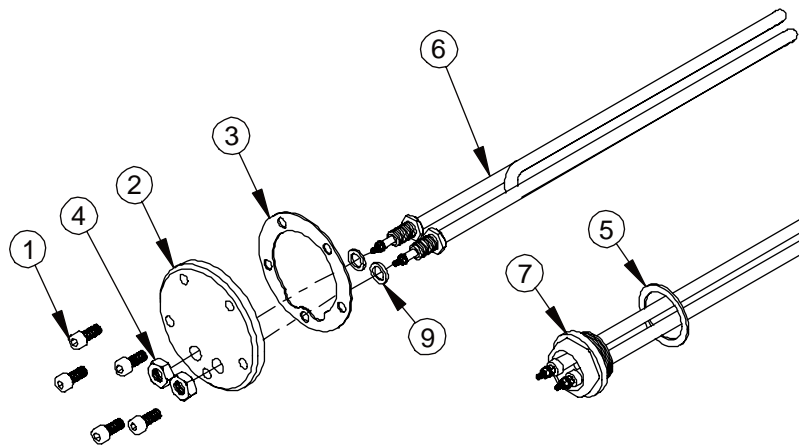
Electrical System and Pump

Item	Part Number/Codice	DESCRIPTION	DESCRIZIONE
1			motore 220V omologato "UL" (U.S.A.)
2a	L290/3UL	220V motor (UL)	motore 220V (UL)
2b	L290/3UL200	200V motor (UL)	motore 200V (UL)
2c	L290/5	220V motor (CE)	motore 220V (CE)
3	L032/P	check valve	valvola ritegno 3/8" gas
5	L306/G	elbow, 3/8" NPT to 3/8" compression	
6	L291/F	fitting, barbed, 3/8" (2 piece)	portagomma femmina 3/8"
7	L291/M	pump fitting	portagomma maschio 3/8"
8	L290/1	pump	corpo pompante
9	L305/N	fitting, 3/8"M-3/8"M	nipplo 3/8"M-3/8"M
10	LAD072/THE	tea program cable, 40/80cm	cavo x thé, cm.40/80
11	LAD070/P	70cm program cable with key	cavo programma 70cm con chiave
12	L200	solenoid coil filter	connettore antidisturbo x elettrovalvola
13a	L201	electromech.compatibility filter 470N+100R	filtro antidisturbo 470N+100R
13b	L202	electromech.compatibility condensor 470N	condensatore antidisturbo 470N
14	L203	toroidal filter	nucleo toroidale antidisturbo
15	LAD072/080	80cm ribbon cable (10 pin)	cavo pulsantiera mask cm.80
16	LAD072/110	110cm ribbon cable (10 pin)	cavo pulsantiera mask cm.110
17	LAD072/140	140cm ribbon cable (10 pin)	cavo pulsantiera mask cm.140
18	LAD072/170	170cm ribbon cable (10 pin)	
19	LAD3D5/C01	80cm ribbon cable (16 pin)	cavo pulsantiera 3D5 cm.80
20	LAD3D5/C02	110cm ribbon cable (16 pin)	cavo pulsantiera 3D5 cm.110
21	LAD3D5/C03	140cm ribbon cable (16 pin)	cavo pulsantiera 3D5 cm.140
22	LAD3D5/C04	170cm ribbon cable (16 pin)	
23a	L500	contactor, 25 Amp, 220/230V 50/60hz	contatore 25 Amp V220/230 50/60 hz
23b	L503	contactor, 25 Amp, 220 60hz, 183V 50hz	contatore 25 Amp V220 60 hz, V183 50hz
23c	L510	contactor, 30 Amp, 220/230V 50/60hz	contatore 30 Amp V220/230 50/60 hz
23d	L511	contactor, 30 Amp, 220 60hz, 183V 50hz	contatore 30 Amp V220 60 hz, V183 50hz
24	CL06	fan mount	staffa ventilatore
25	L600	fan	ventilatore
26	LAD070/4	CPU, 10 pin, 4 group (mask)	dosatore 4gr, mask
27	LAD070/3	CPU, 10 pin, 3 group (mask)	dosatore 3gr, mask
28	LAD3D5/4	CPU, 16 pin, 4 group (wizard-UL approved)	dosatore 3D5, 4gr (wizard-UL approved)
29a	LAD3D5/3	CPU, 16 pin, 3 group (wizard-UL approved)	dosatore 3D5, 3gr (wizard-UL approved)
29b	LAD3D5/3LC	CPU, 16 pin, 3 group (wizard)	dosatore 3D5, 3gr
30a	LAD3D5/2	CPU, 16 pin, 2 group (wizard-UL approved)	dosatore 3D5, 2gr (wizard-UL approved)
30b	LAD3D5/2LC	CPU, 16 pin, 2 group (wizard)	dosatore 3D5, 2gr
31	LAD070/1	CPU, 1 group (220V)	dosatura 1gr
32	LA050	CPU, water control unit, ee	centralina autolivello

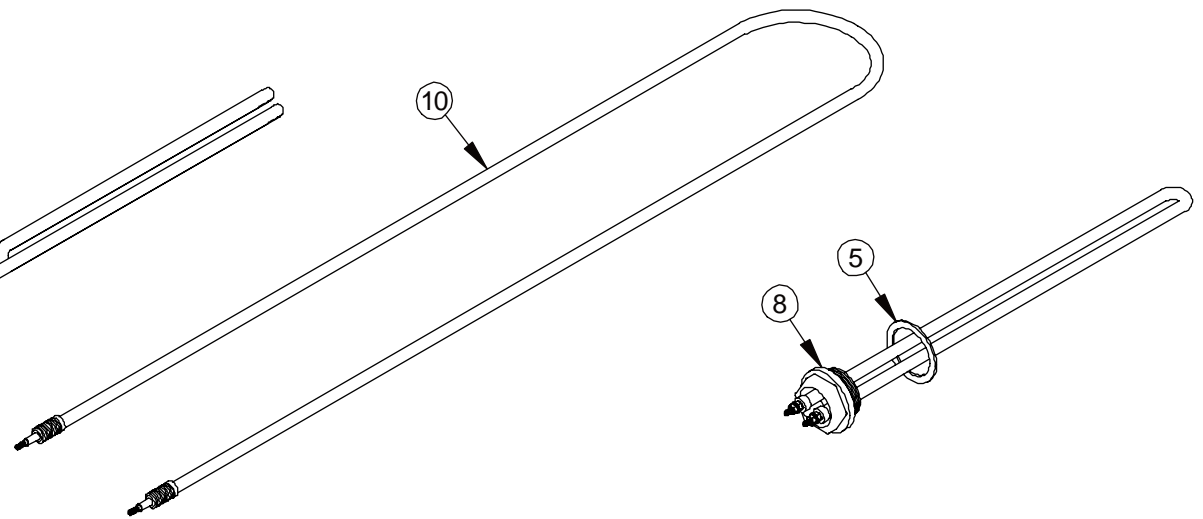
Impianto Elettrico e Pompa



Heating Elements



Steam Boiler
Caldaia Vapore



Cup Warmer
Scaldatazze

Brew Boiler
Caldaia Caffè



Heating Elements

Item	Part Number/Codice	DESCRIPTION	DESCRIZIONE
1	L151/2	end plate bolt	bullone acc.inox 19x8ma es.12
2	L151 LAV	steam boiler flange	coperchio caldaia vapore lavorato
3	L151/A	gasket, steam boiler flange	guarnizione 5 fori 104x72x1,5
4	L146	1/4" nut (supplied with elements)	dado 1/4" gas es.19 (fornite con resistenze)
5	LR360	gasket	guarnizione piana dm.55x42x2
6		OLD version elements for steam boiler	Resistenze VECCHIO TIPO x caldaia vapore
	LR340/220	W 1300, 220V cm.21 1/4" 1gr steam boiler element	resist. W 1300, 220V cm.21 1/4" - caldaia vap. 1gr
	LR341/220	W 1600, 220V cm.29 1/4" 2gr steam boiler element	resist. W 1600, 220V cm.29 1/4" - caldaia vap. 2gr
	LR342/220	W 2000, 220V cm.29 1/4" 2gr steam boiler element	resist. W 2000, 220V cm.29 1/4" - caldaia vap. 2gr
	LR344/220	W 2500, 220V cm.65 1/4" 3gr steam boiler element	resist. W 2500, 220V cm.65 1/4" - caldaia vap. 3gr
	LR345/220	W 3000, 220V cm.65 1/4" 3gr steam boiler element	resist. W 3000, 220V cm.65 1/4" - caldaia vap. 3gr
	LR346/220	W 3800, 220V cm.65 1/4" 4gr steam boiler element	resist. W 3800, 220V cm.65 1/4" - caldaia vap. 4gr
	LR348/380	W 1600, 380V cm.29 1/4" 2gr steam boiler element	resist. W 1600, 380V cm.29 1/4" - caldaia vap. 2gr
	LR352/380	W 2500, 380V cm.65 1/4" 3gr steam boiler element	resist. W 2500, 380V cm.65 1/4" - caldaia vap. 3gr
	LR353/380	W 3000, 380V cm.65 1/4" 3/4gr steam boiler element	resist. W 3000, 380V cm.65 1/4" - caldaia vap. 3/4gr
	LR354/380	W 4000, 380V cm.65 1/4" 4gr steam boiler element	resist. W 4000, 380V cm.65 1/4" - caldaia vap. 4gr
7a		Elements for 5 LITER steam boiler	Resistenze per caldaia vapore 5 LITRI
	LR330/220B	W 2000, 220V cm.26 1-1/4" 2gr steam boiler element	resist. W 2000, 220V cm.26 1-1/4" - caldaia vap. 2gr
	LR331/220B	W 2500, 220V cm.26 1-1/4" 3gr steam boiler element	resist. W 2500, 220V cm.26 1-1/4" - caldaia vap. 3gr
	LR332/220B	W 3000, 220V cm.26 1-1/4" 4gr steam boiler element	resist. W 3000, 220V cm.26 1-1/4" - caldaia vap. 4gr
	LR333/380B	W 2000, 380V cm.26 1-1/4" 2gr steam boiler element	resist. W 2000, 380V cm.26 1-1/4" - caldaia vap. 2gr
	LR334/380B	W 2500, 380V cm.26 1-1/4" 3gr steam boiler element	resist. W 2500, 380V cm.26 1-1/4" - caldaia vap. 3gr
	LR335/380B	W 3000, 380V cm.26 1-1/4" 4gr steam boiler element	resist. W 3000, 380V cm.26 1-1/4" - caldaia vap. 4gr
7b		Standard elements (current) for steam boiler	Resistenze standard (attuali) per caldaia vapore
	LR340/200B	W 1300, 200V cm.17 1-1/4" 1gr steam boiler element	resist. W 1300, 200V cm.17 1-1/4" - caldaia vap. 1gr
	LR340/220B	W 1300, 220V cm.17 1-1/4" 1gr steam boiler element	resist. W 1300, 220V cm.17 1-1/4" - caldaia vap. 1gr
	LR342/220B	W 2000, 220V cm.29 1-1/4" 2gr steam boiler element	resist. W 2000, 220V cm.29 1-1/4" - caldaia vap. 2gr
	LR350/380B	W 2000, 380V cm.29 1-1/4" 2gr steam boiler element	resist. W 2000, 380V cm.29 1-1/4" - caldaia vap. 2gr
	LR345/220B	W 3000, 220V cm.50 1-1/4" 3gr steam boiler element	resist. W 3000, 220V cm.50 1-1/4" - caldaia vap. 3gr
	LR353/380B	W 3000, 380V cm.50 1-1/4" 3/4gr steam boiler element	resist. W 3000, 380V cm.50 1-1/4" - caldaia vap. 3gr
	LR346/220B	W 3800, 220V cm.50 1-1/4" 4gr steam boiler element	resist. W 3800, 220V cm.50 1-1/4" - caldaia vap. 4gr
	LR353/380B	W 3000, 380V cm.50 1-1/4" 3/4gr steam boiler element	resist. W 3800, 380V cm.50 1-1/4" - caldaia vap. 4gr

Resistenze Elettriche

© 2005 La Marzocco, s.r.l. - Via Bolognese, 68 - Pian di San Bartolo, 50010 Firenze, Italia - Tel +39.055.401.390 - Fax +39.055.401.349



Heating Elements - Continued

THIS PAGE INTENTIONALLY LEFT BLANK

QUESTA PAGINA E' STATA LASCIATA IN BIANCO VOLUTAMENTE

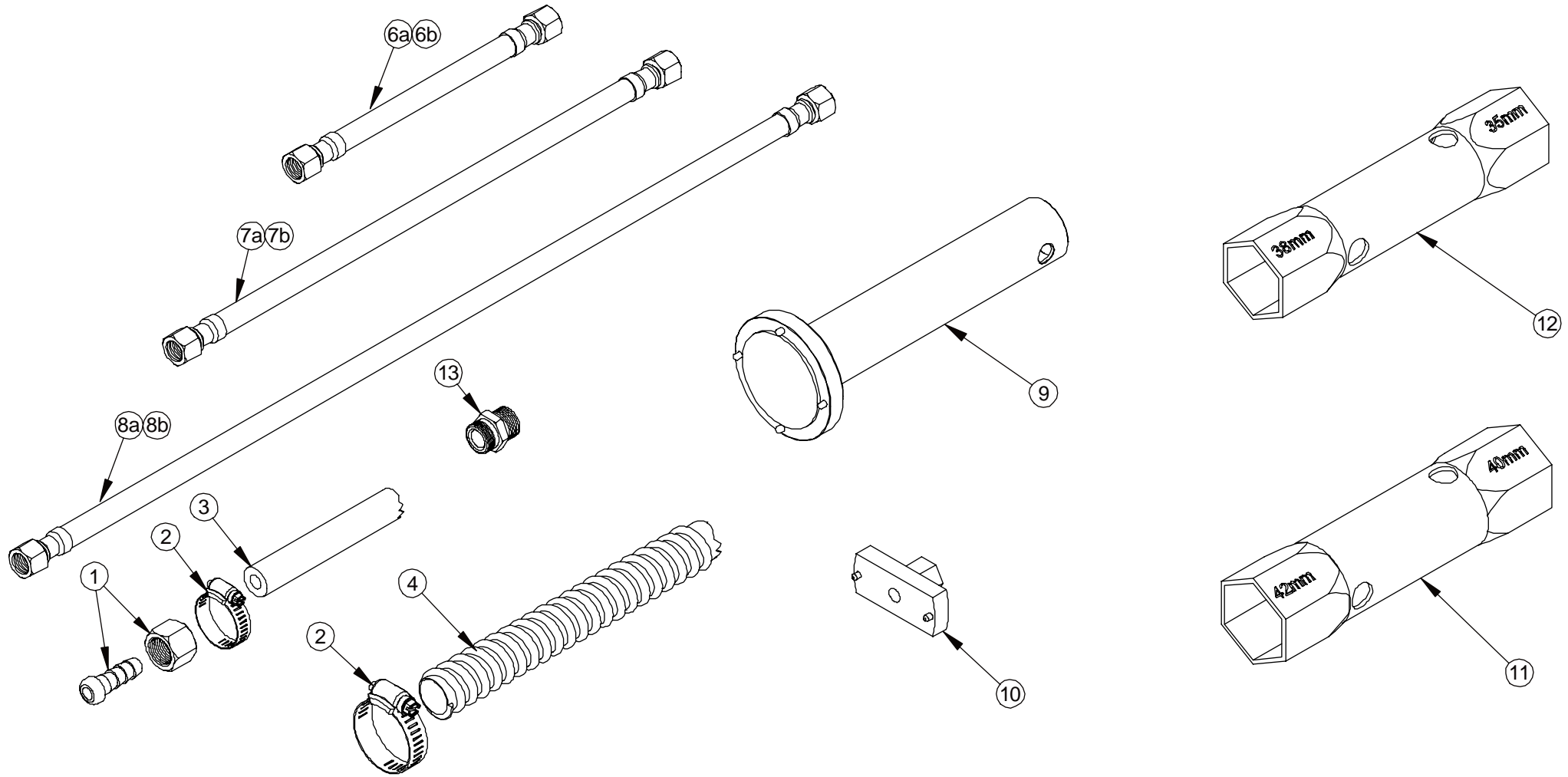


Heating Elements - Continued

Item	Part Number/Codice	DESCRIPTION	DESCRIZIONE
7c		High power elements (current) for steam boiler	Resistenze maggiorate (attuali) per caldaia vapore
	LR357/200B	W3000, 200V cm.39 1-1/4" 2gr steam boiler element	resist. W3000, 200V cm.39 1-1/4" - caldaia vap. 2gr
	LR357/220B	W3000, 220V cm.39 1-1/4" 2gr steam boiler element	resist. W3000, 220V cm.39 1-1/4" - caldaia vap. 2gr
	LR357/380B	W3000, 380V cm.39 1-1/4" 2gr steam boiler element	resist. W3000, 380V cm.39 1-1/4" - caldaia vap. 2gr
	LR356/200B	W4000, 200V cm.50 1-1/4" 3gr steam boiler element	resist. W4000, 200V cm.50 1-1/4" - caldaia vap. 3gr
	LR356/220B	W4000, 220V cm.50 1-1/4" 3gr steam boiler element	resist. W4000, 220V cm.50 1-1/4" - caldaia vap. 3gr
	LR356/380B	W4000, 380V cm.50 1-1/4" 3gr steam boiler element	resist. W4000, 380V cm.50 1-1/4" - caldaia vap. 3gr
	LR355/200B	W5000, 200V cm.65 1-1/4" 4gr steam boiler element	resist. W5000, 200V cm.65 1-1/4" - caldaia vap. 4gr
	LR355/220B	W5000, 220V cm.65 1-1/4" 4gr steam boiler element	resist. W5000, 220V cm.65 1-1/4" - caldaia vap. 4gr
	LR355/380B	W5000, 380V cm.65 1-1/4" 4gr steam boiler element	resist. W5000, 380V cm.65 1-1/4" - caldaia vap. 4gr
8a		Standard elements (current) for brew boiler	Resistenze standard (attuali) per caldaia caffè
	LR360/200	W1000, 200V cm.21 1-1/4" 1gr brew boiler element	
	LR360/220	W1000, 220V cm.21 1-1/4" 1gr brew boiler element	resist. W1000, 220V cm.21 1-1/4" - caldaia caffè 1gr
	LR365/200	W1400, 200V cm.40 1-1/4" 2gr brew boiler element	
	LR365/220	W1400, 220V cm.40 1-1/4" 2gr brew boiler element	resist. W1400, 220V cm.40 1-1/4" - caldaia caffè 2gr
	LR365/380	W1400, 380V cm.40 1-1/4" 2gr brew boiler element	resist. W1400, 380V cm.40 1-1/4" - caldaia caffè 2gr
	LR362/220	W1600, 220V cm.65 1-1/4" 3gr brew boiler element	resist. W1600, 220V cm.65 1-1/4" - caldaia caffè 3gr
	LR364/380	W1600, 380V cm.65 1-1/4" 3gr brew boiler element	resist. W1600, 380V cm.65 1-1/4" - caldaia caffè 3gr
8b		High power elements (current) for brew boiler	Resistenze maggiorate (attuali) per caldaia caffè
	LR366/200	W1900, 200V cm.65 1-1/4" 3gr brew boiler element	resist. W1900, 200V cm.65 1-1/4" - caldaia caffè 3gr
	LR366/220	W1900, 220V cm.65 1-1/4" 3gr brew boiler element	resist. W1900, 220V cm.65 1-1/4" - caldaia caffè 3gr
	LR366/380	W1900, 380V cm.65 1-1/4" 3gr brew boiler element	resist. W1900, 380V cm.65 1-1/4" - caldaia caffè 3gr
9	L100/1A	copper washer 19x13.5x1.5	rondella rame 19X13,5X1,5
10	LR370	2gr cupwarmer element W.280, 220/380V	resistenza scaldatazze 2gr 280W, 220/380V
	LR371	3gr cupwarmer element W.400, 220/380V	resistenza scaldatazze 3gr 400W, 220/380V
	LR372	4gr cupwarmer element W.600, 220/380V	resistenza scaldatazze 4gr 600W, 220/380V

Resistenze Elettriche

Hoses and Parts



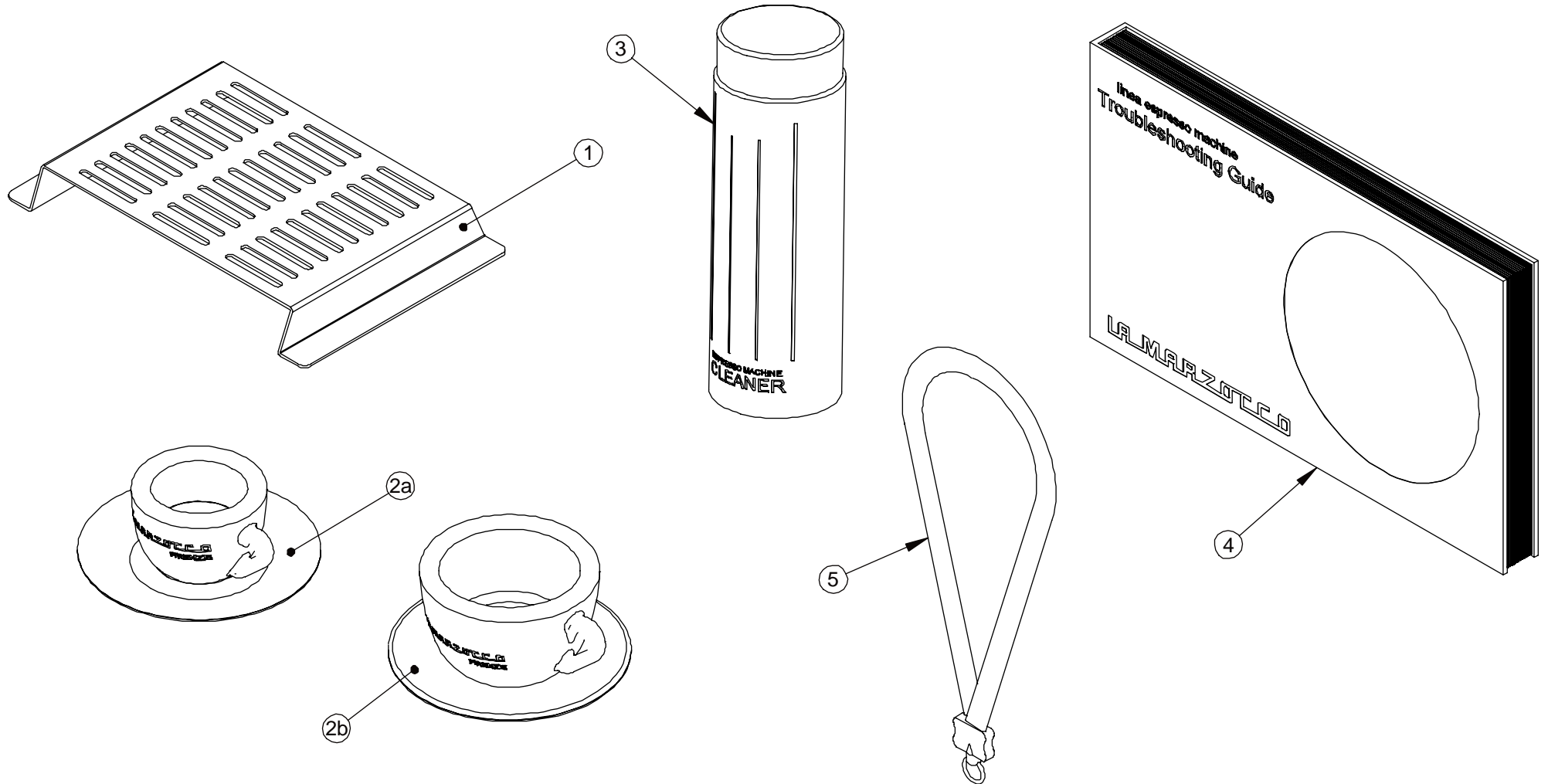


Hoses and Parts

Item	Part Number/Codice	DESCRIPTION	DESCRIZIONE
1	L291/F	hose barb & nut	portagomma femmina 3/8"
2	L312	hose clamp	fascetta serratubo mm.14/24
3	L310	high pressure hose	tubo gomma carico acqua 8x17
4	L309	clear armoured drain hose	tubo springvin. elastic mm.20
6a	L305/050	50cm stainless steel braided hose	tubo flessibile inox.3/8F-3/8F cm.50
6b	L306/050	50cm stainless steel braided hose, 3/8" compression	
7a	L305/120	120cm stainless steel braided hose	tubo flessibile inox.3/8F-3/8F cm.120
7b	L306/120	120cm stainless steel braided hose, 3/8" compression	
8a	L305/210	210cm stainless steel braided hose	tubo flessibile inox.3/8F-3/8F cm.210
8b	L306/210	210cm stainless steel braided hose, 3/8" compression	
9	UT120	sight glass tool	chiave per ghiera livello
10	UT105	diffuser tool	chiave per sede diffusore
11	UT360/42	element tool 40/42	chiave resistenza 40/42
12	UT360	element tool 35/38	chiave resistenza 35/38
13	L305/N	fitting, 3/8"M - 3/8"M	nipple 3/8"M - 3/8"M

Tubi Utensili

Accessories





Accessories

Accessori	Item	Part Number/Codice	DESCRIPTION	DESCRIZIONE
	1	CL30	Cup stand (pack of 6)	Rialzo per tazze (conf. 6 pezzi)
	2a	V060	Espresso cup & saucer (pack of 6)	Tazze espresso (conf. 6pezzi)
	2b	V061	Cappuccino cup and saucer (pack of 6)	Tazze cappuccino (conf. 6pezzi)
	3	V065	Puro Caf Espresso Machine Cleaner	Barattolo Puly Caf
	4	MANUALE	Troubleshooting manual	Manuale "Troubleshooting" (in inglese)
	5	V050	La Marzocco lanyard	Portabadge/chiavi La Marzocco



MACCHINE
DA CAFFÈ ESPRESSO
DAL 1927



LA MARZOCCO, s.r.l.

VIA BOLOGNESE 68 PIAN DI SAN BARTOLO 50010 FIRENZE, ITALY

T: +39.055.401.39 F: +39.055.401.349

E-MAIL: MARZOCCO@WEBITALY.COM

WWW.LAMARZOCCO.COM