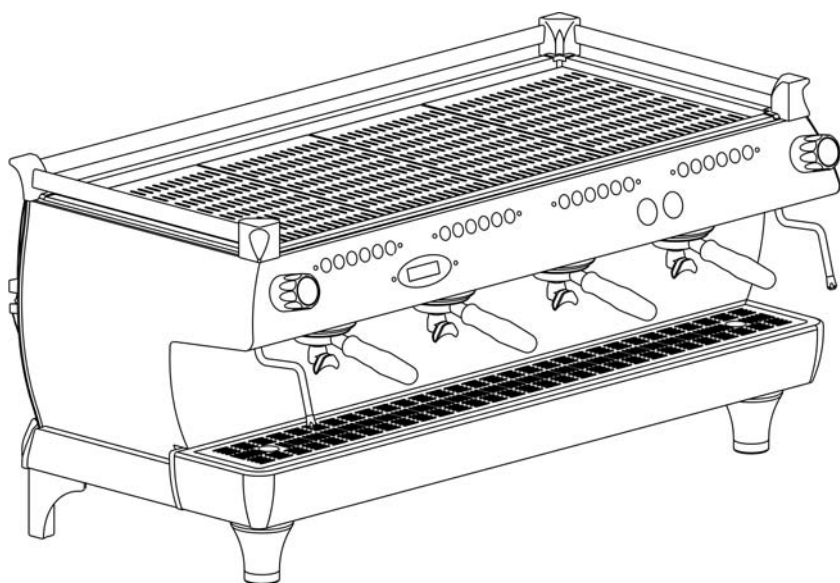
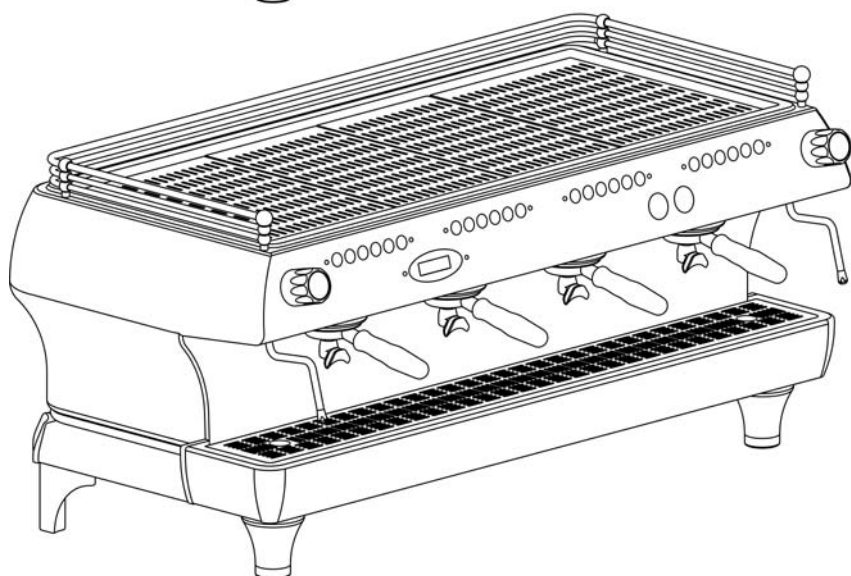




MACCHINE  
DA CAFFÈ ESPRESSO  
DAL 1927



*GB/5*

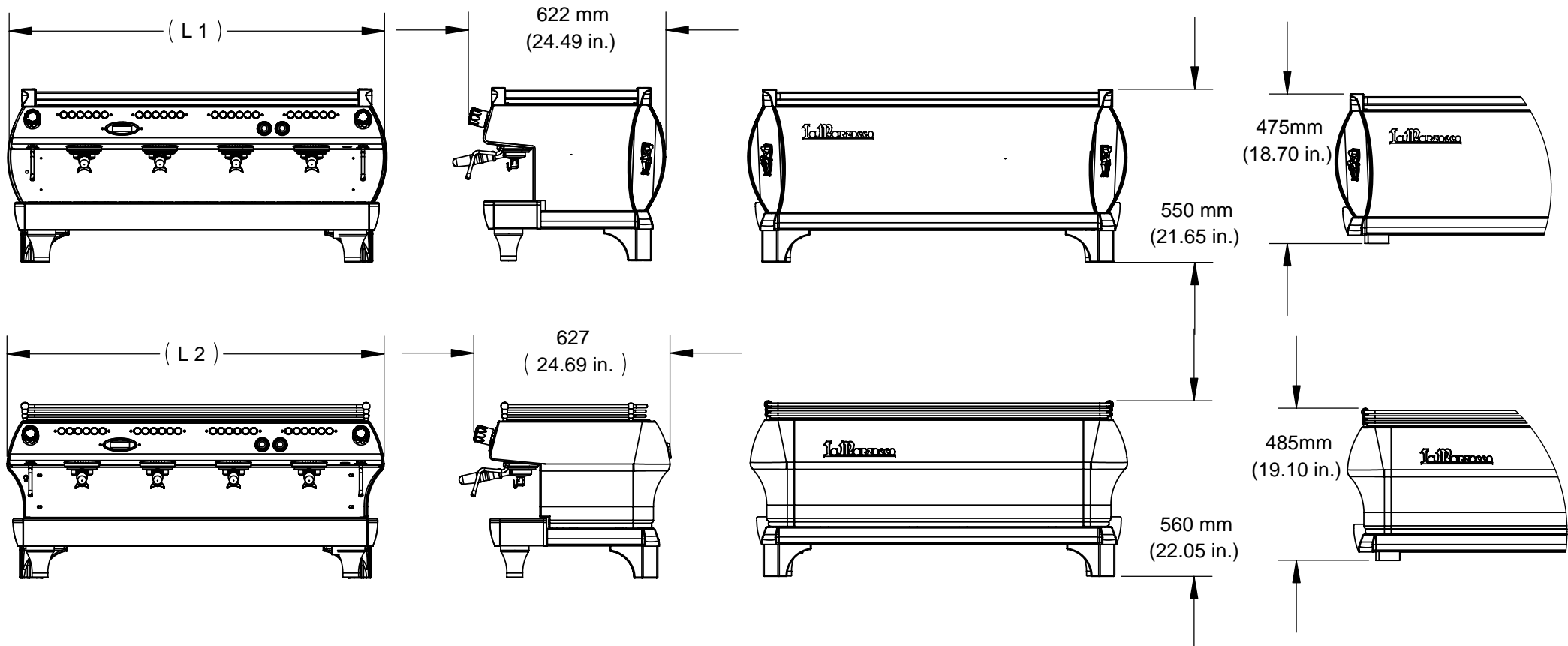


*FB/80*

**CATALOGO RICAMBI**  
**PARTS CATALOG**



# Specifications - GB/5 & FB/80



© 2006 La Marzocco, Srl - Via Bolognese, 68 - Pian di San Bartolo, 50010 Firenze, Italia - Tel +39.055.401.390 - Fax +39.055.401.349

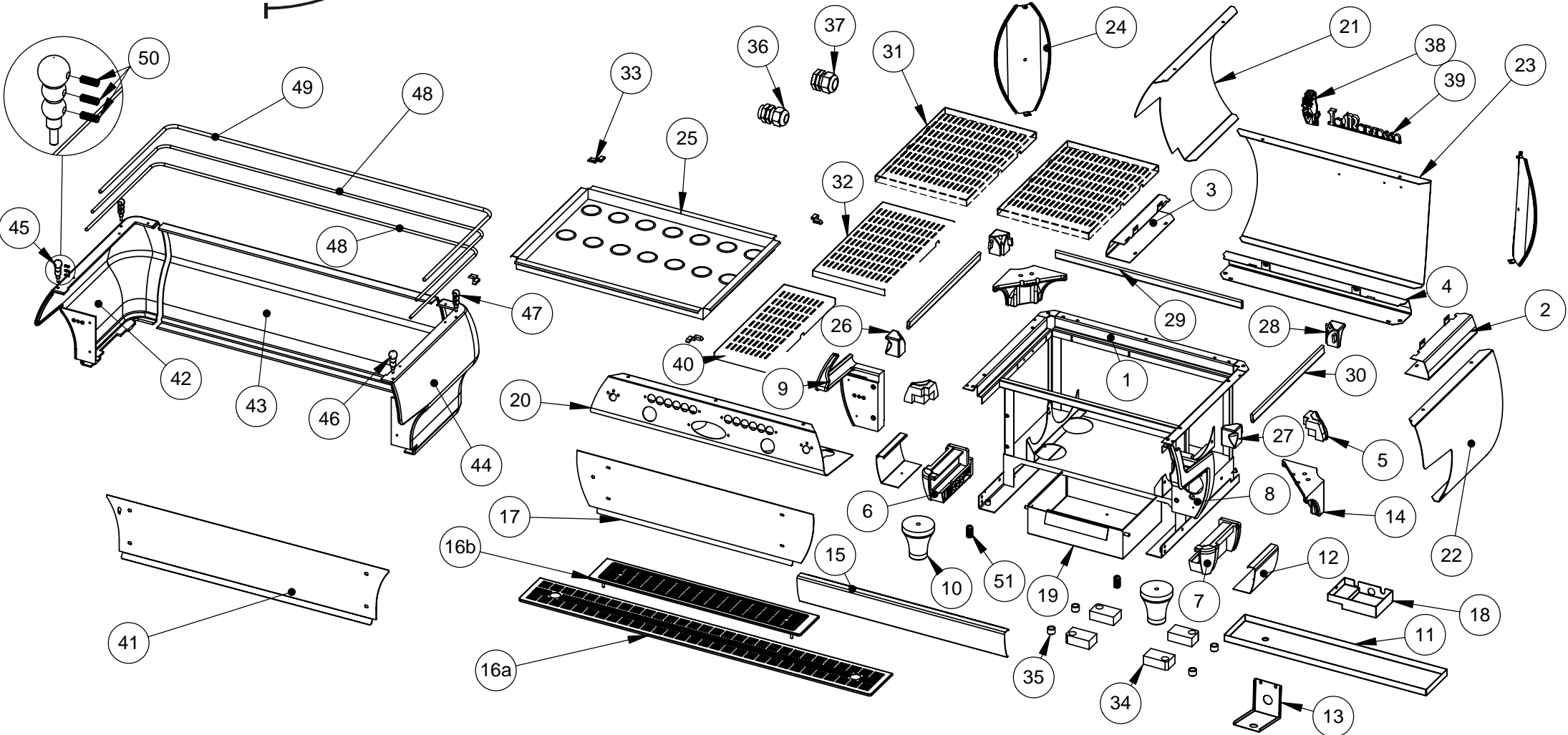


## Specifications - GB/5 & FB/80

<b>CARATTERISTICHE TECNICHE</b>	L 1	750 mm	950 mm	1190 mm	
		29,52 in.	37,40 in.	46,85 in.	
	L 2	755 mm	955 mm	1195 mm	
		29,72 in.	37,60 in.	40,05 in.	
	Approximate Shipping weight	90 Kg	100 Kg	130 Kg	
		198,42 lbs.	220,46 lbs.	286,6 lbs.	
	Electrical Voltage	200 VAC Single/Three Phase	200 VAC Single/Three Phase	200 VAC Single/Three Phase	
		220 VAC Single/Three Phase	220 VAC Single/Three Phase	220 VAC Single/Three Phase	
		380 VAC Three Phase	380 VAC Three Phase	380 VAC Three Phase	
	Brew Boiler Wattage	Low	1400 W	1600 W	2 X 1400 W
	Brew Boiler Wattage	High	1400 W	1900 W	2 X 1400 W
	Steam Boiler Wattage	Low	2000 W	3000 W	3800 W
	Steam Boiler Wattage	High	3000 W	4000 W	5000 W
	Total Wattage	Low	3600 W	4800 W	6800 W
	Total Wattage	High	4600 W	6100 W	8000 W
	Required Available Amperage		25 A	35 A	45 A
	Brew Boiler Capacity (liters)		3,4	5	6,8
Steam Boiler Capacity (liters)		7	11	14,5	
Total Capacity (liters)		10,4	16	21,3	
<b>Machine configuration</b>		<b>2 gr</b>	<b>3 gr</b>	<b>4 gr</b>	

© 2006 La Marzocco, Srl - Via Bolognese, 68 - Pian di San Bartolo, 50010 Firenze, Italia - Tel +39.055.401.390 - Fax +39.055.401.349

# Body Panel Assembly - GB/5 & FB/80





## Body Panel Assembly - GB/5 & FB/80

Item	Part number/Codice	Description	Descrizione
1	C.1.001.*	* frame complete	telaio *
2	C.1.004	right lower frame	cornice inferiore lato destra
3	C.1.003	left lower frame	cornice inferiore lato sinistra
4	C.1.002.*	* lower trim	cornice inferiore *
5	C.2.005	lower corner piece	angolo cornice base
6	C.2.001	left drain drain corner	angolo vasca sinistro
7	C.2.002	right drain drain corner	angolo vasca destro
8	C.2.004	GB/5 right control panel support	supporto destro pannello interrutt GB/5
9	C.2.003	GB/5 left control panel support	supporto sinistro pannello interrutt GB/5
10	C.2.006	front high legs	gambe alte anteriori
11	C.1.006.*	* drain tray	bacinella *
12	C.1.021	lower corner cover	copertura angoli inferiori
13	C.1.007	hot water bracket	staffa per acqua calda
14	C.2.007	back high legs	gambe alte posteriori
15	C.1.005.*	* drain tray front cover	frontale bacinella *
16a	C.1.012.*	drain grate *	griglia scarico *
16b	C.1.012.*R	drain grate*for low cups	griglia scarico * per tazze basse
17	C.1.009.*	GB/5 main switch panel	pannello interruttore generale GB/5
18	F.1.002	drain box	pozzetto di scarico
19	C.1.020	box for electronics	scatola per elettronica
20	C.1.008.*	GB/5 & FB80 * AV control panel	frontale interruttori AV * GB/5 & FB80
21	C.1.013	GB/5 left side panel	fianco sinistro GB/5
22	C.1.014	GB/5 right side panel	fianco destro GB/5
23	C.1.015.*	GB/5 * back side panel	pannello posteriore * GB/5
24	C.1.016	shield for lion	scudo per leone
25	C.1.011.*	* cup-warmer tray	vassoio scaldatasse *
26	C.3.002	GB/5 left front railing corner	angolo superiore frontale sinistro GB/5
27	C.3.003	GB/5 right front railing corner	angolo superiore frontale destro GB/5
28	C.3.001	GB/5 back railing corner	angolo superiore posteriore GB/5
29	C.1.017.*	GB/5 * back railing	ringhiera posteriore * GB/5
30	C.1.018	GB/5 side railing	ringhiera laterale GB/5
Item	Part number/Codice	Description	Descrizione
* = number of groups / numero gruppi			

© 2006 La Marzocco, Srl - Via Bolognese, 68 - Pian di San Bartolo, 50010 Firenze, Italia - Tel +39.055.401.390 - Fax +39.055.401.349

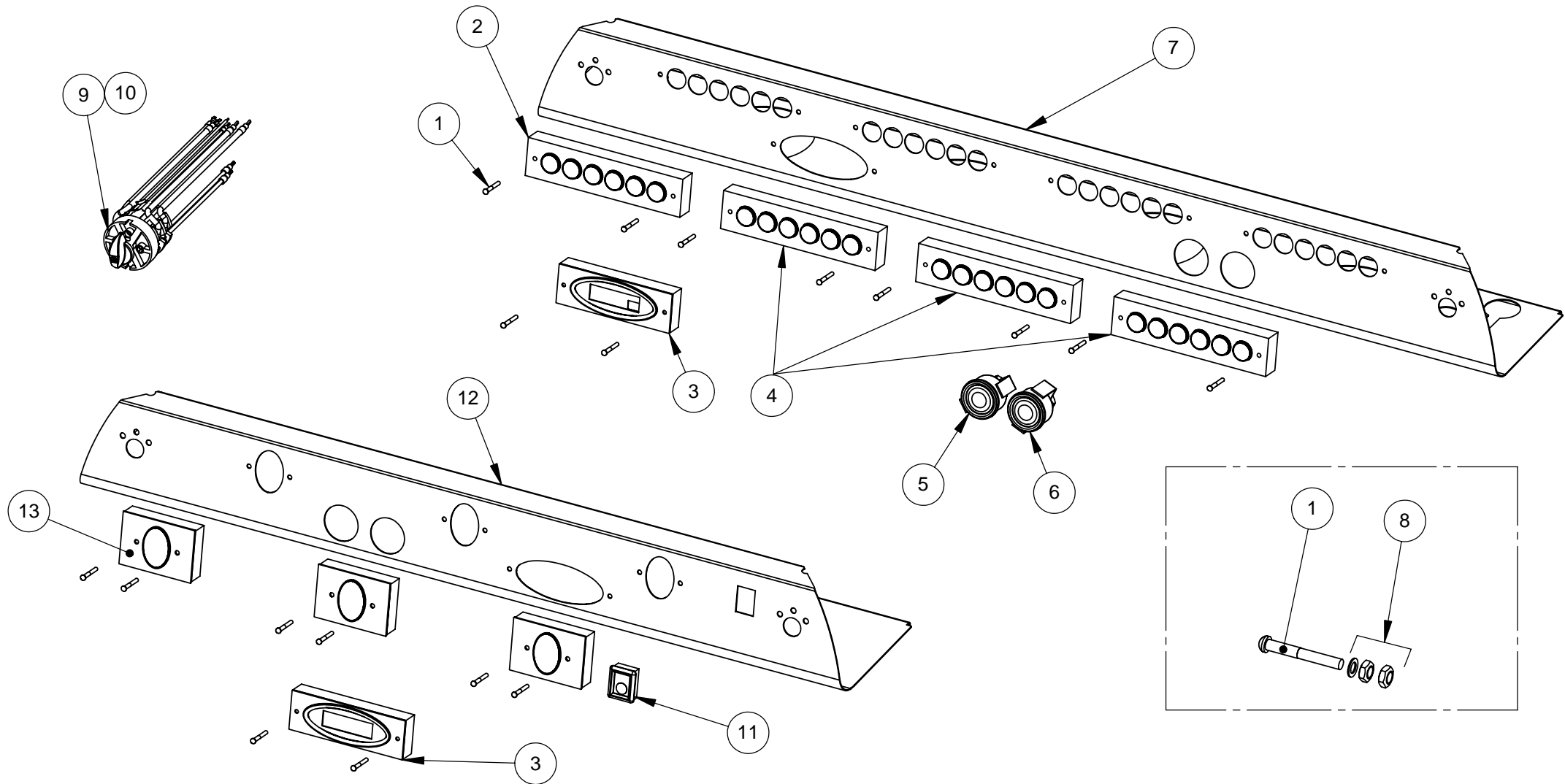


## Body Panel Assembly - GB/5 & FB/80

Item	Part number/Codice	Description	Descrizione
31	C.1.028	large cup-warmer grate	griglia scaldatazze grande
32	C.1.029	middle cup-warmer grate	griglia scaldatazze intermedia
33	F.2.001	cup warmer corner	angolare per vassoio scaldatazze
34	CL001	rubber foot	zoccolino in gomma
35	F.1.005	PVC foot support DM 21	supporti piedini PVC DM 21mm
36	L322/P	strain relief, pump cord	fermacavo piccolo + ghiera
37	L322/G	strain relief, power supply	fermacavo grande + ghiera
38	D.1.002	bronze lion	leone in bronzo
39	D.1.001	la marzocco label for GB/5 & FB80	targh. la marzocco GB/5 & FB/80
40	C.1.010	small cup-warmer grate	griglia scaldatazze piccola
41	C.1.024.*	* FB/80 main switch panel	pannello interruttore generale FB/80 *
42	C.2.011	FB/80 left side panel	fianco sinistro FB/80
43	C.2.013.*	* FB/80 back side panel	pannello posteriore FB/80 *
44	C.2.012	FB/80 right side panel	fianco destro FB/80
45	C.4.001.SX	FB/80 left front railing corner	ang. sup. frontale SX FB/80
46	C.4.001.DX	FB/80 right front railing corner	ang. sup. frontale DX FB/80
47	C.4.002	FB/80 back railing corner	ang. sup. posteriore FB/80
48	C.1.022.*	* FB/80 railing Ø8mm	ringhiera Ø8mm FB/80 *
49	C.1.023.*	* FB/80 railing Ø10mm	ringhiera Ø10mm FB/80 *
50	I.1.016	stainless steel M5 grub screw	grano M5 inox
51	I.1.014	spring plunger	pressore
52			
Item	Part number/Codice	Description	Descrizione

© 2006 La Marzocco, Srl - Via Bolognese, 68 - Pian di San Bartolo, 50010 Firenze, Italia - Tel +39.055.401.390 - Fax +39.055.401.349

# Control Panel Assembly - AV & EE





# Control Panel Assembly - AV & EE

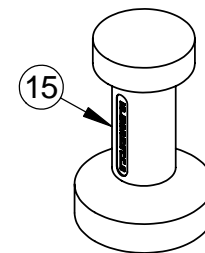
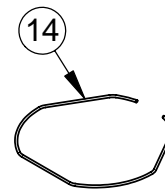
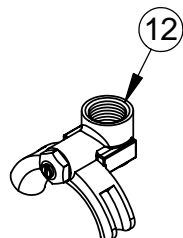
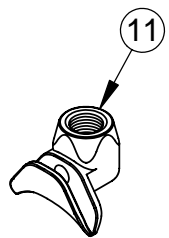
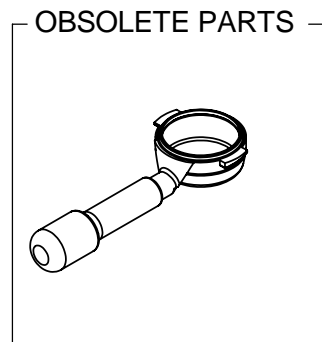
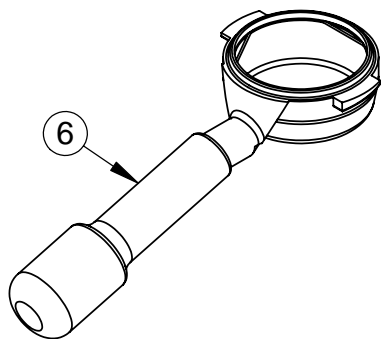
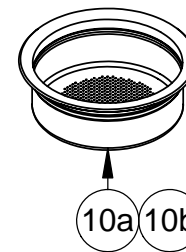
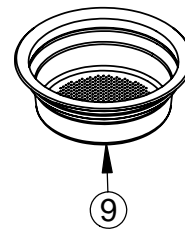
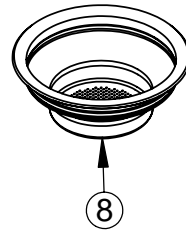
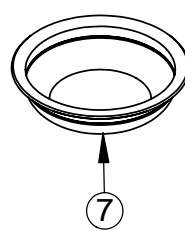
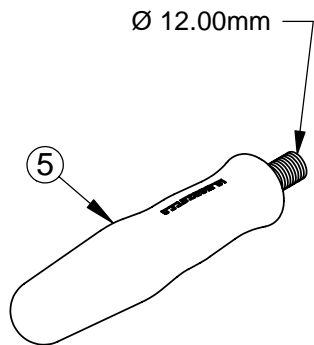
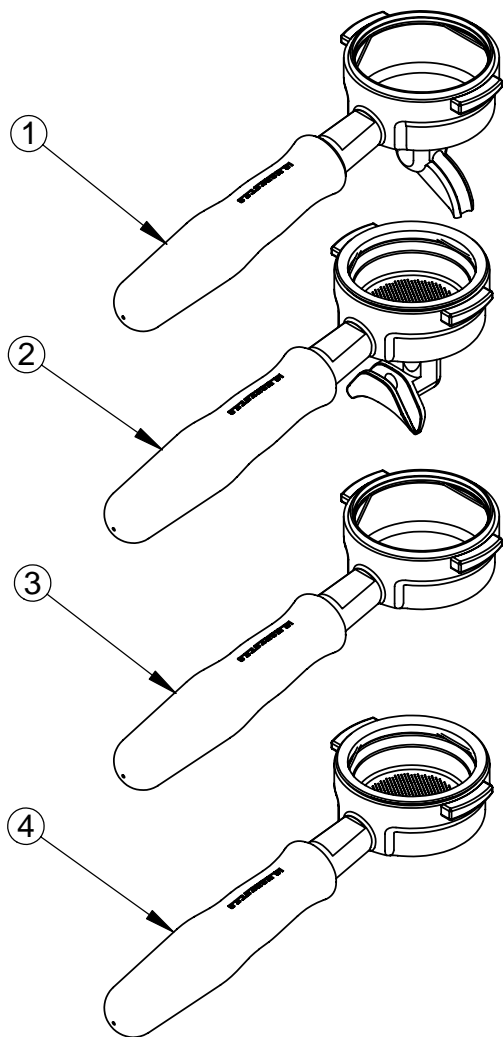
Pannello di Controllo AV & EE	Item	Part number/Codice	Description	Descrizione
	1	I.2.001	keypad screws	viti fissaggio pulsantiere
	2	E.1.002	prog keypad	pulsantiera prog.
	3	E.1.004	LCD display	LCD display
	4	E.1.003	Tea keypad	pulsantiera Tè
	5	E.3.002	pressure gauge 0-3bar with tube	manometro caldaia vapore 0-3bar completo di capillare
	6	E.3.001	pressure gauge 0-15bar with tube	manometro caldaia caffè 0-15bar completo di capillare
	7	C.1.008.*	GB/5 & FB/80 * AV control panel	frontale interruttore AV GB/5 & FB80 *
	8	DADO4M	brass nut M4	dado ottone M4
	9	E.2.001	32 A bipol. 2 position switch	interruttore 32 A bipolare a due posizioni
	10	E.2.002 (L400/17/12)	17 A tripol. 2 position switch	interruttore 17 A tripolare a due posizioni
	11	E.1.008	GB/5 & FB/80, switch, hot water, EE	pulsante acqua calda GB/5 & FB/80 EE
	12	C.1.019.*	GB/5 & FB/80 * control panel EE	frontale interruttori GB/5 & FB/80 EE *
	13	E.1.007	GB/5 & FB/80 switch, manual brew, EE	pulsante GB/5 & FB/80 EE
	14			
15				

\* = number of groups / numero gruppi





# Portafilter Assembly



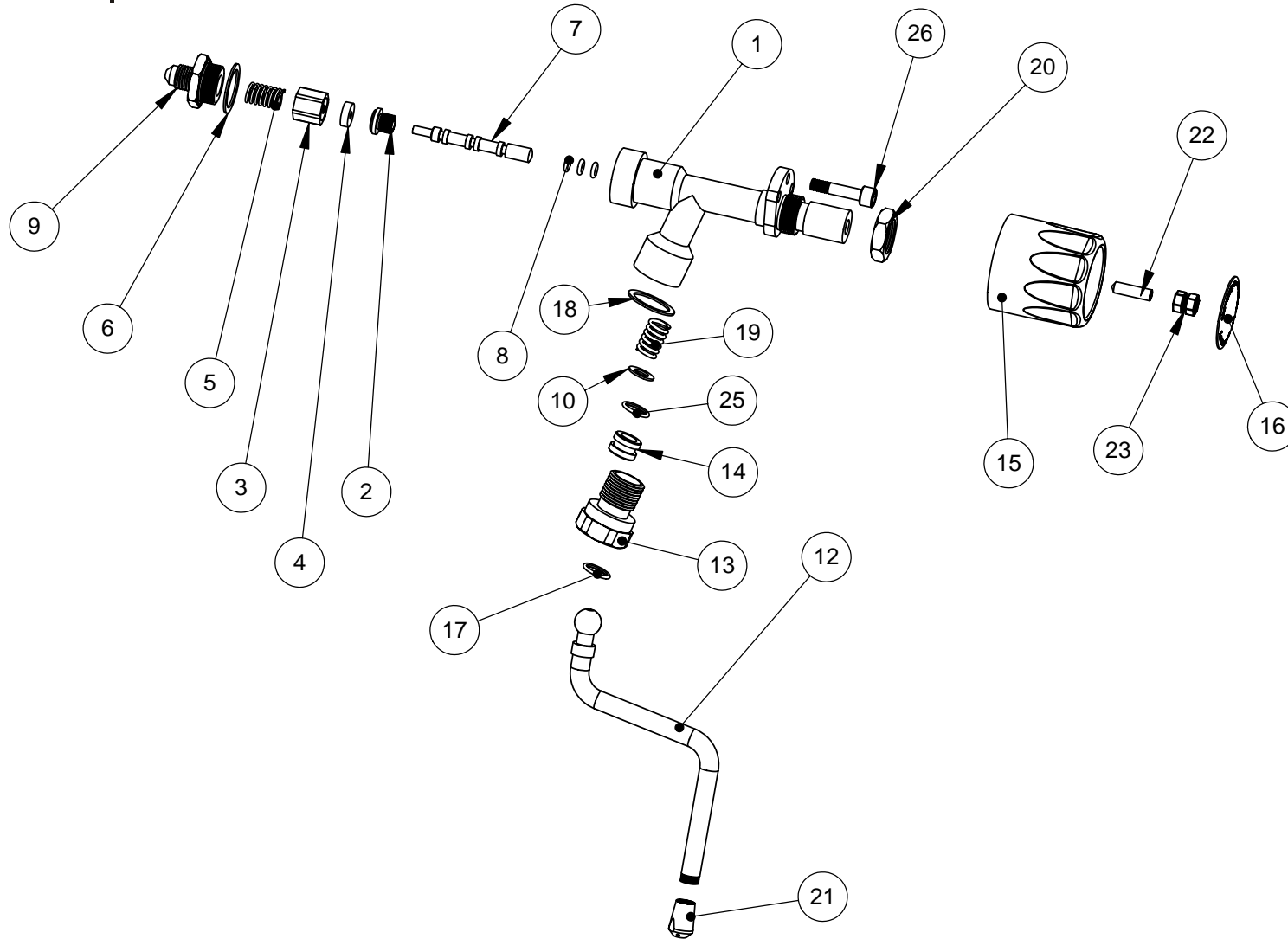
© 2006 La Marzocco, Srl - Via Bolognese, 68 - Pian di San Bartolo, 50010 Firenze, Italia - Tel +39.055.401.390 - Fax +39.055.401.349



# Portafilter Assembly

<b>Portafiltri</b>	<b>Item</b>	<b>Part Number/Codice</b>	<b>Description</b>	<b>Descrizione</b>
	1	L111/1	lion portafilter with 1 cup spout	portafiltro a una tazza
	2	L111/2N	lion portafilter with 2 cup spout (L119)	portafiltro a due tazze (L119)
	3	L111/LM12	portafilter assembly, lion embossed	portafiltro compl. di manopola + molla
	4	L111/X	"nacked" portafilter	portafiltro "nudo"
	5	L112/G12	lion portafilter handle - rubber, 12mm	manopola portafiltro in gomma, 12mm
	6	L111/15D	portafilter assembly, 15° inclined	portafiltro 15° inclin. con manop. + molla
	7	L115/C	blind portafilter basket	filtro cieco per lavaggio
	8	L115/A	single portafilter basket (hand tamp)	filtro a 1 tazza
	9	L116/A	double portafilter basket (hand tamp)	filtro a 2 tazze
	10a	5.127	22mm filter basket swift	filtro swift 22mm
	10b	5.128	19mm filter basket swift	filtro swift 19mm
	11	L119	La Marzocco double spout	beccuccio a due tazze fisso, La Marzocco
	12	L116/R	2 cup spout, adjustable	beccuccio a 2 tazze regolabile
	13	L115	1 cup spout	beccuccio a 1 tazza
	14	L113	portafilter spring	molletta portafiltro
15	L117	tamper (plastic)	pressacaffè	

# Steam Wand Assembly

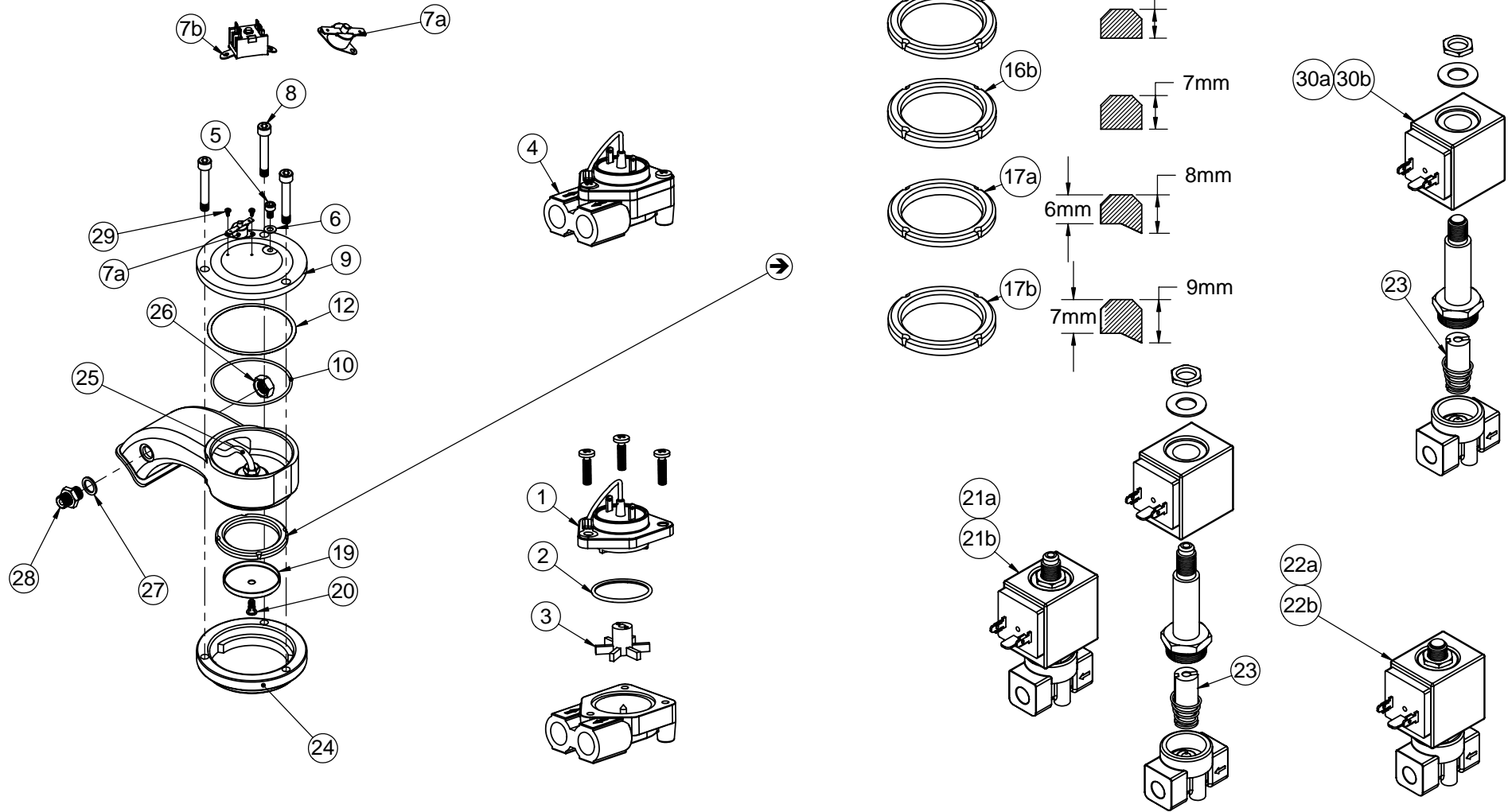




# Steam Wand Assembly

<i>Item</i>	<i>Part Number/Codice</i>	<i>Description</i>	<i>Descrizione</i>
1	A.1.001	steam valve body	corpo rubinetto vapore
2	F.3.007	stainless steel seat	sede AISI 316 per rub.
3	A.1.004	valve seal holder	raccordo per guarnizione tenuta
4	H.2.001	seat gasket	guarnizione tenuta rubinetto
5	F.3.005	spring, steam valve shaft	molla per tenuta
6	H.2.002	PTFE washer	guarnizione PTFE
7	A.1.002	steam valve shaft	asta D8 per rubinetto vapore
8	H.1.005	O-ring, steam valve shaft	guarn. Or viton per asta
9	A.1.003	rear tube connector	raccordo ingr. vap.
10	I.4.001	brass washer 14 x 7 x 0,5	rondella in ottone 14 x 7 x 0,5
12	T.2.001	steam wand	tubo vapore
13	A.1.005	steam wand adaptor	raccordo 1/2" per tubo vapore
14	H.2.003	steam wand sealing	guarnizione PTFE per snodo tubo vapore
15	F.1.006	steam valve knob	manopola rubinetto vapore
16	F.1.007	knob cover wiht logo	tappo manopola vapore
17	H.1.003	Or113 2,62x13,1 VITON 85SH	Or113 2,62x13,1 VITON 85SH
18	H.2.004	PTFE gasket 26x12x2	guarnizione PTFE 26x12x2
19	F.3.004	steam wand sealing spring	molla per tubo vapore
20	A.1.006	mounting nut, steam valve	dado 1/2"ES.24H6
21	L173	tip, steam wand	spruzzatore inox x tubo vapore
22	I.3.003	grub screw	grano
23	A.2.008	brass nut M6	dado ottone M6 CH9x4,5
25	H.1.004	o-ring, steam wand	Or113 10,77x2,62 85SH
26	I.1.015	body valve screw	vite M6 fermo manopola

## Group Assembly



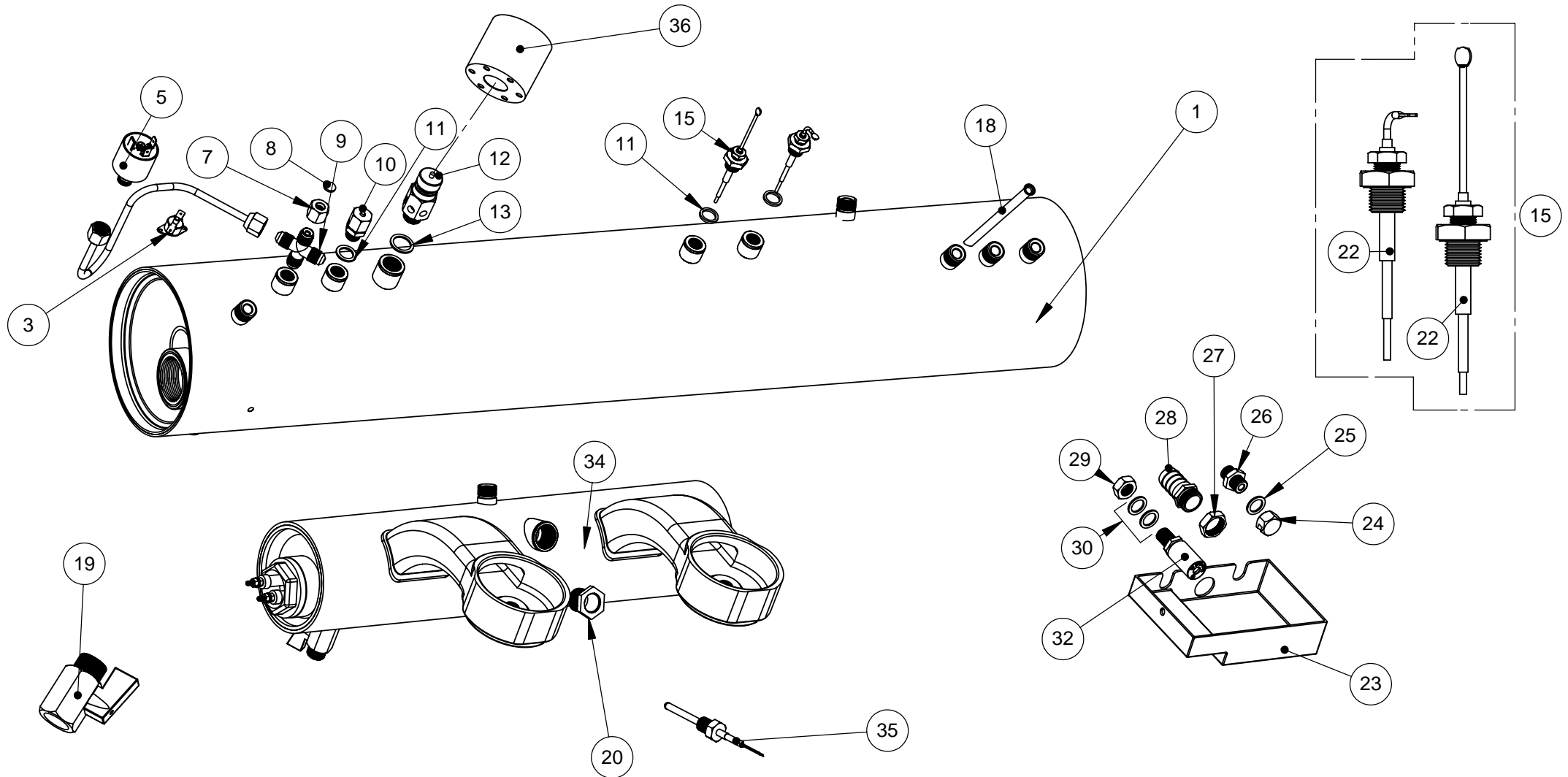


## Group Assembly

<b>Gruppo</b>	1	LAD070/S	flow meter sensor	testa per contatore volumetrico	
	2	LAD070/S1	flow meter o-ring	guarn. or 8-2112 V. contatore volumetrico	
	3	LAD070/V	flow meter impeller	girante per contatore volumetrico	
	4	LAD070	flow meter assembly, complete	contatore volumetrico	
	5	L120/2	bleed screw	bullone acc.inox 6x10 t.brug.	
	6	L120/2A	bleed screw copper washer	rondella rame 12x6x1	
	7a	L276	manual reset thermostat 250°F (single pole)	termostato sicurezza 130° C unipolare	
	7b	L276/B	manual reset thermostat 250°F (bipolar)	termostato sicurezza 130° C bipolare	
	8	L110	group bayonet bolt	bullone 8x55 t.brugola	
	9	L103	group cover	coperchio gruppo	
	10	L103/A	group cover o-ring	guarnizione or 8-2-151 viton	
	12	L103/B	group fiber gasket	guarn. piana 87x81x0,5	
	16a	L105/B6	6mm group gasket	guarn. sottocoppa 6mm	
	16b	L105/B7	7mm group gasket	guarn. sottocoppa 7mm	
	17a	L105/B8	8mm group gasket (standard)	guarn. sottocoppa 8mm (standard)	
	17b	L105/B9	9mm group gasket	guarn. sottocoppa 9mm	
	19	L107	diffuser screen	doccetta	
	20	L106/V	diffuser screw	vite diffusore acc. inox dm.10	
	21a	L100/E	solenoid valve assembly, 3 way, 220V	elettrovalvola 3 vie, 220V	
	21b	L100/E200	solenoid valve assembly, 3 way, 200V	elettrovalvola 3 vie, 200V	
	22a	L053	solenoid valve assembly, 2 way, 220V	elettrovalvola 2 vie, 220V	
	22b	L053/200	solenoid valve assembly, 2 way, 200V	elettrovalvola 2 vie, 200v	
	23	L100/H	solenoid plunger, 3 way and 2 way	nucleo mobile x elettrovalv. 3 vie o 2 vie	
	24	L109	chromium plated bayonet ring	anello portacoppa cromato	
	25	TL29	tube, internal group	tubo interno gruppo	
	26	L100/5	locknut, 1/4"	controdado 1/4" gas es.20	
	27	L100/1A	copper washer, 19X13.5X1.5	rondella rame 19X13,5X1,5	
	28	L037/3	fitting, 1/4" BSPP to 1/4" BSPP	niplo 1/4"M. es.19 nichelato	
	29	VITEAUT2,9X4,5	#6 X 7/8" tri lobe self tap phillips	vite autofilet. fe.zin 2,9X4,5 testa cilindrica croce	
	30a	L100/G	solenoid coil, 220V	bobina a 220V x elettrovalvola	
	30b	L100/G200	solenoid coil, 200V	bobina a 200V x elettrovalvola	
		<b>Item</b>	<b>Part Number/Codice</b>	<b>Description</b>	<b>Descrizione</b>

© 2006 La Marzocco, Srl - Via Bolognese, 68 - Pian di San Bartolo, 50010 Firenze, Italia - Tel +39.055.401.390 - Fax +39.055.401.349

# Boiler Assembly



# Boiler Assembly

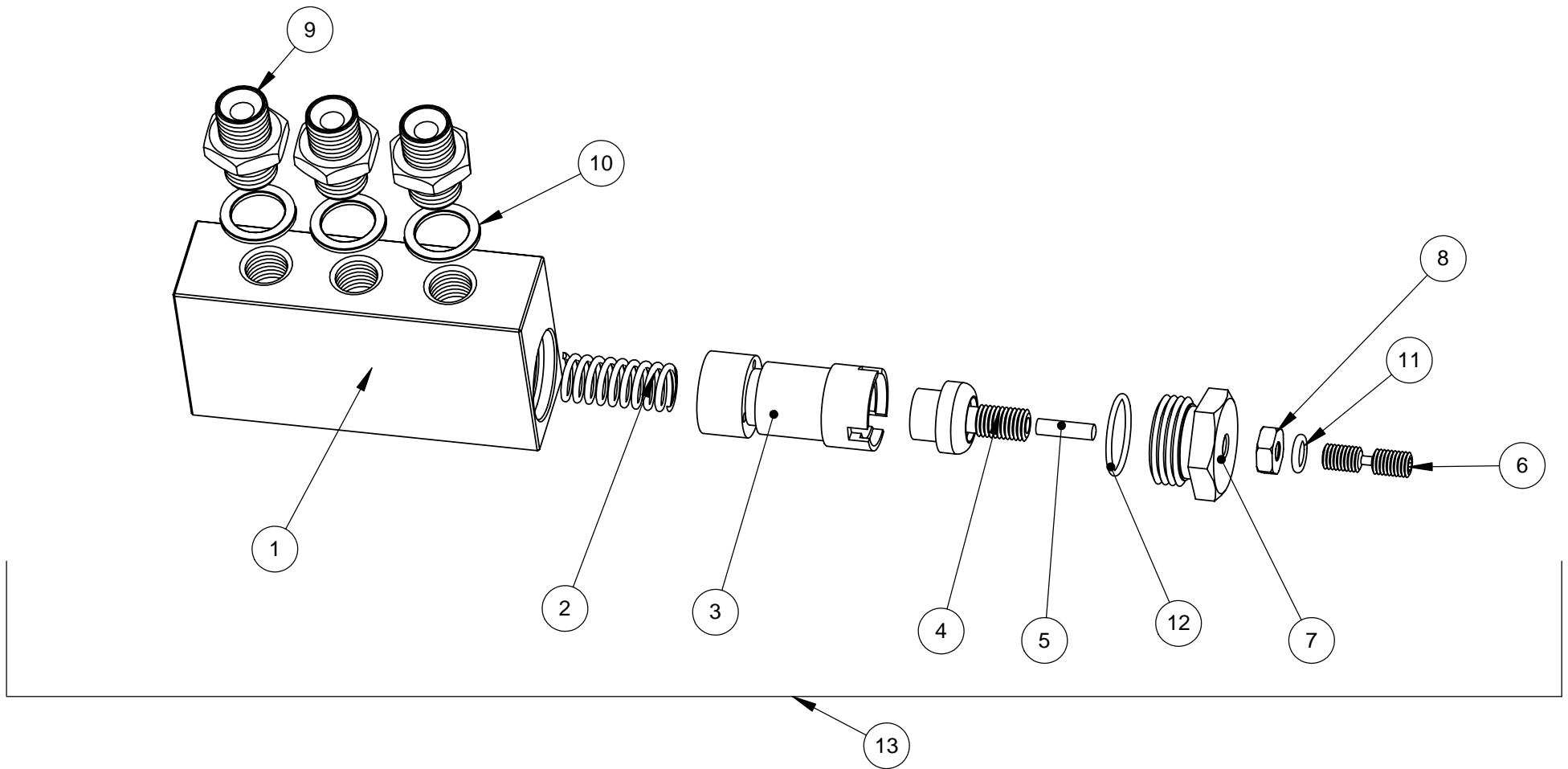
**Caldai**

1	L154*/VGB5	* steam boiler	caldaia vapore grande *
3	L276	manual reset thermostat 250° (single pole)	termostato sicurezza 130°C unipolare
5	L271	pressure switch, 56122N	pressostato, 56122N
7	L130/2	nut, tube 1/4" X 6mm	raccordo f.1/4" es.16
8	L137/4	blind ferrule, 11mm	ghiandina dm.11 chiusa
9	L129	cross fitting	raccordo a croce 1/4" gas
10	L190	vacuum breaker	valvola decompressione 1/4"gas
11	L100/1A	copper washer	rondella rame
12	L180	pressure relief valve	valvola sicurezza 1,8 bar
13	L180/1	copper washer, pressure relief valve	rondella rame 22x17x1,5
15	LA052	autofill probe	sonda livello TL10/B mm.
18	TL07/G	hot water suction tube	tubo pescaggio acqua caldaia vapore
19	L164	ball valve	rubinetto a sfer 3/8" M-F
20	A.2.007	PT1000 probe fitting	riduzione per sonda PT1000
22	LA052/1	teflon insulator	isolatore in teflon per sonda
23	F.1.002	drain box	pozzetto scarico
24	L037/3R	break drain fitting	rompigetto es. 19mm
25	L037/4	copper washer, drain box	rondella ot.26x14 tranciata
26	L037/3	fitting, 1/4" BSPP to 1/4" BSPP	raccordo 1/4"m es.19mm
27	L037/D	drain box nut	dado 1/2" gas esagono 23
28	L037/2PGR	fitting, drain box hose barb	portagomma dm. 20mm es.22
29	L146	expansion valve nut	dado 1/4" gas es.19
30	L037/4	copper washer, drain box	rondella ot.26x14 tranciata
32	L140 C	expansion valve	valvola espansione completa
34	L152/2WD	brew boiler subassembly, 4 group, right, type w	caldaia satura, w, tipo, 4 gruppi, dx
	L152*/WS	brew boiler subassembly * group, type w (* group size)	caldaia satura, tipo W, *
35	E.1.005	PT1000 temperature probe	sonda temperatura PT1000
36	F.1.004	drain tray safety valve	vasch. scarico valvola sicurezza
Item	Part Number/Codice	Description	Descrizione

\* =number of groups / numero gruppi



# Pre-Heating Mix Valve

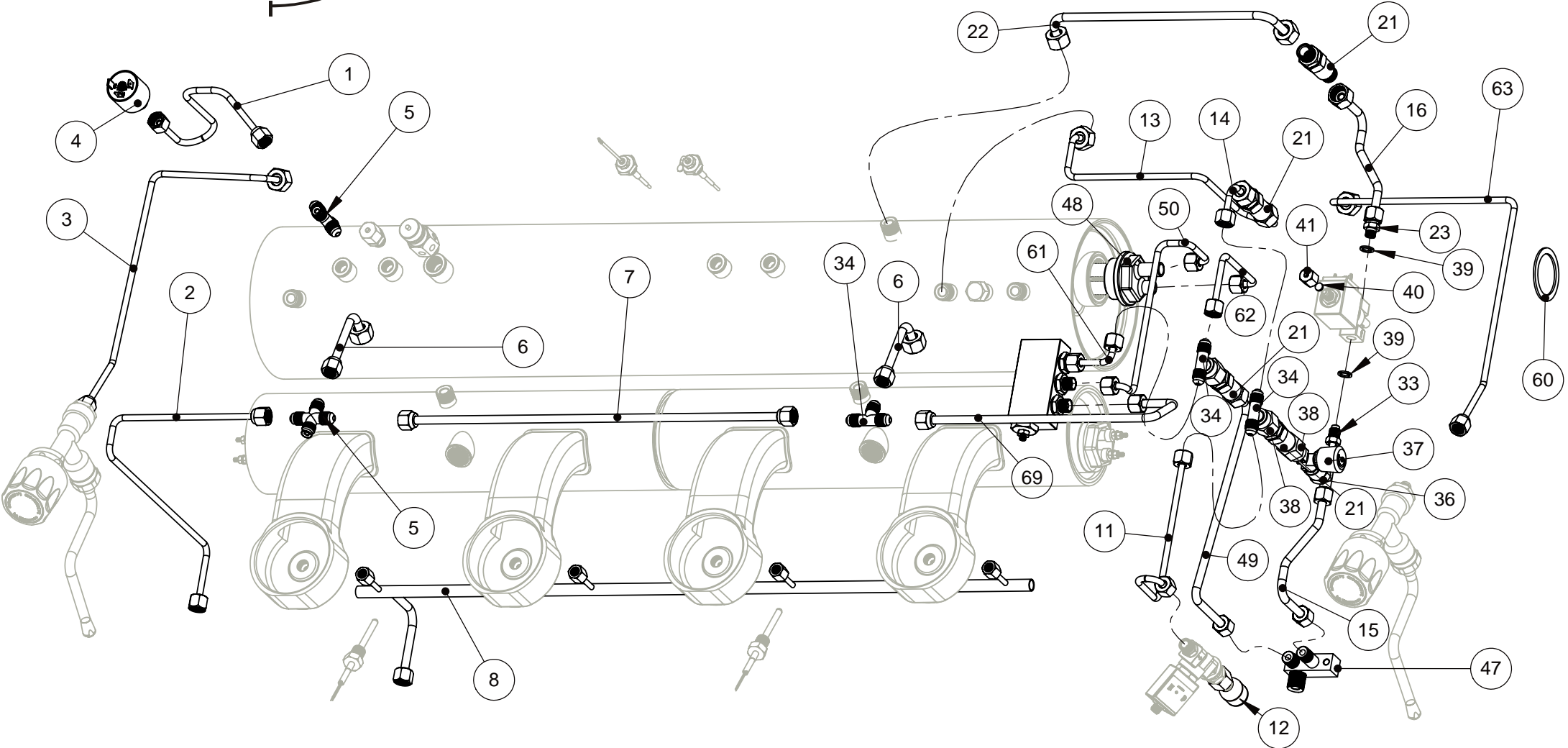




## Pre-Heating Mix Valve

<b>Valvola Termostatica</b>	1	B.2.002	pre-heating mix valve body	Corpo valvola termostatica
	2	F.3.002	pre-heating mix valve spring	Molla valvola termostatica
	3	A.2.005	pre-heating mix valve tower in-let closer	Cilindro miscelatore valvola termostatica
	4	E.5.001	pre-heating mix valve actuator	Attuatore per valvola termostatica
	5	F.3.001	pre-heating mix valve pin	Spina per termostato valvola termostatica
	6	I.1.001	pre-heating mix valve setting screw	Grano inox per regolazione valvola termostatica
	7	A.2.006	pre-heating mix valve cap	Tappo per valvola termostatica
	8	I.1.002	pre-heating mix valve nut	Dado fissaggio grano di regolazione
	9	L037/3	pre-heating mix valve nipple	Nipplo 1/4"M. ES 19 nichelato
	10	L100/1A	pre-heating mix valve copper washer	Rondella rame 19X13,5X1,5
	11	H.1.001	pre-heating mix valve o-ring screw	O-ring viton grano di regolazione
	12	H.1.002	pre-heating mix valve o-ring cap	O-ring viton tappo valvola termosatica
	13	B.2.003	Pre-Heating Mix Valve Complete	Valvola termostatica nichelata completa
	<i>Item</i>	<i>Part number/Codice</i>	<i>Description</i>	<i>Descrizione</i>

# Hydraulic Assembly



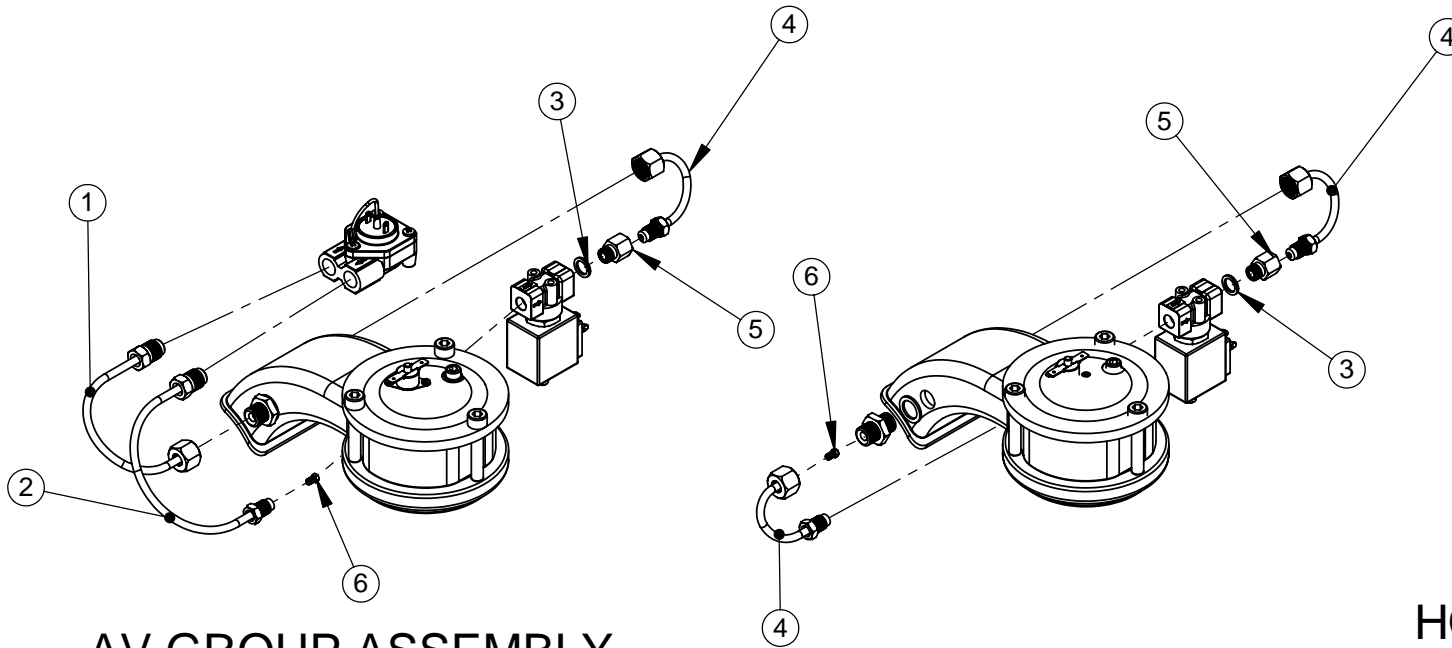
# Hydraulic Assembly

## Impianto Idraulico

1	TL09	tube, pressure switch to steam boiler	tubo pressostato-cald. vapore
2	T.1.009	tube fitting cross - expansion valve	tubo crociera - valvola espansione
3	T.1.010	tube left steam valve	tubo c. vap. - rubinetto vapore SX
4	L271	pressure switch, 56122N	pressostato, 56122N
5	L129	fitting, 1/4" cross	raccordo croce 1/4"gas
6	TL06	tube, cross fitting to brew boiler	tubo crociera-caldaiia satura
7	TL05/3	tube, tee fitting to cross fitting 3gr	tubo collegamento crescere 3gr.
	TL05/4	tube, tee fitting to cross fitting 4gr	tubo collegamento crocere 4gr.
8	T.1.012.*	* solenoid valve drain tube	tubo scarico EV GB/5 *
11	T.1.007	tube "T" - EV H2O	tubo T - EV H2O
12	L160	hot water spout assembly	diffusore acqua calda
13	T.1.006	tube check valve - steam boiler	tubo valvola non ritorno - caldaia vapore
14	T.1.005	tube - check valve	tubo T - valvola non ritorno
15	T.1.001	manifold - T tube	tubo collettore - T
16	T.1.003	tube solenoid - check valve	tubo EV - valvola di non ritorno
21	L032/P	check valve	valvola ritegno nichelata
22	T.1.004	tube check valve - steam boiler	tubo valvola non ritorno - caldaia vapore
23	L053/1	fitting, 1/8" male to 1/4" male	raccordo M.1/8"-M.1/4" x elettrovalvola
33	T.1.002	tube T - solenoid valve	tubo T - EV
34	A.2.002	fitting, 1/4" tee	raccordo a tee 1/4"gas
36	A.2.003	1/4"F - 1/4"F nick fitting	raccordo 1/4"F - 1/4"F nichelato
37	B.2.001	H2o mix valve	valvola miscelazione acqua
38	A.2.004	1/4"F - 3/8"F nick fitting	raccordo 1/4"F - 3/8"F nichelato
39	L100/D	copper washer	rondella rame 14X10X1,5
40	L134/4	ferrule, 8mm blind	ghiardina dm.8 chiusa
41	L134	fitting, 1/8" nut for 4mm tube	raccordo F.1/8" es.14 foro 4,5
47	A.2.001	incoming water manifold	collettore ingresso acqua
48	T.1.015	pre-heater 2 groups	preriscaldatore 2 gruppi
	T.1.019	pre-heater 3/4 groups	preriscaldatore 3/4 gruppi
49	T.1.013	tube inlet manifold - check valve	tubo ancoraggio - valv non ritorno
50	T.1.016	tube h-exchanger - mix valve	tubo preriscaldatore valv termostatica
60	LR360	heater-exchanger gasket	guarnizione piana dim 55x42x2 scambiatore
61	T.1.017	tube T - mix valve	tubo T - valvola misc
62	T.1.014	tube T - h-exchanger	tubo T - scambiatore
63	T.1.020	tube right steam valve	tubo c. vap. - rubinetto vapore DX
69	T.1.018	tube mix valve - coffee boiler	tubo valv termostatica - caldaia caffè
<b>Item</b>	<b>Part Number/Codice</b>	<b>Description</b>	<b>Descrizione</b>

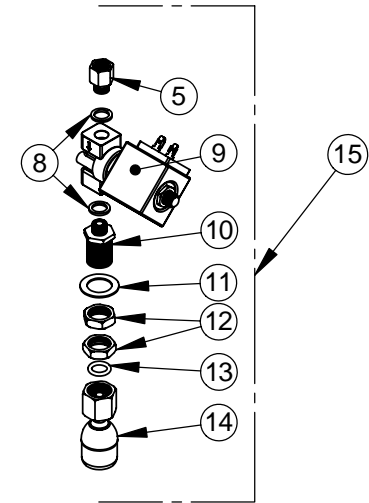
\* = number of groups / numero gruppi

# Hydraulic Assembly

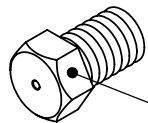
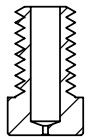


**AV GROUP ASSEMBLY**  
GRUPPO PER MACCHINE AV

**EE GROUP ASSEMBLY**  
GRUPPO PER MACCHINE EE



**HOT WATER VALVE ASSEMBLY**  
RUBINETTO ACQUA CALDA



**RESTRICTOR 0.6/0.7/0.8mm**  
**GIGLER 0.6/0.7/0.8mm**

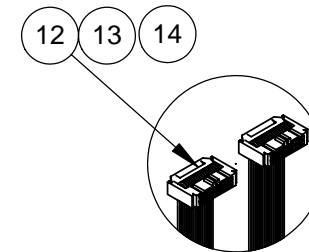
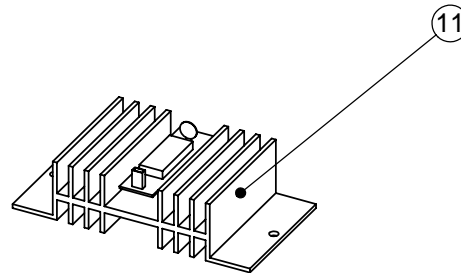
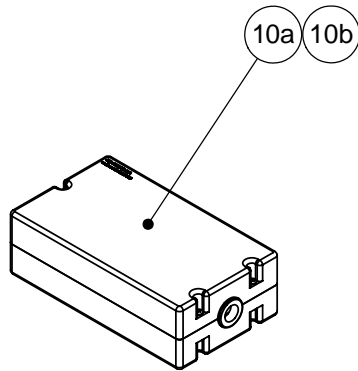
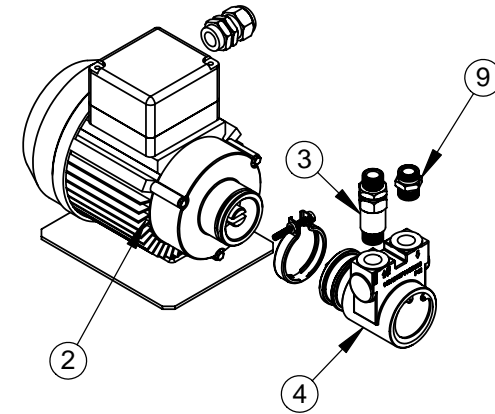
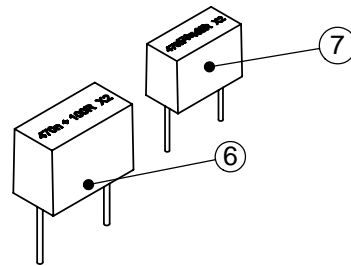
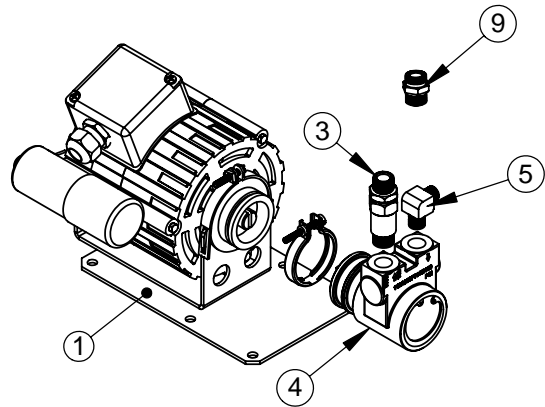
6



## Hydraulic Assembly

<b>Impianto Idraulico</b>	<b>Item</b>	<b>Part number/Codice</b>	<b>Description</b>	<b>Descrizione</b>
	1	TLAD01	tube, group assembly to flow meter, 2, 3 or 4gr	tubo gruppo-contatore volumetrico, 2/3/4 gr.
	2	TLAD02	tube, flow meter to solenoid valve, 2, 3 or 4gr	tubo contatore volumetrico-elettrovalvola 2/3/4 gr.
	3	L100/D	copper washer	rondella rame 14X10X1,5
	4	TL25/26	tube, solenoid valve to banjo tube	tubo gruppo-elettrovalvola
	5	L100/C	fitting, 1/8" male to 1/8" female	raccordo M.1/8"-F.1/8" elettrovalvola 3 vie
	6	L087/GI	gigler infusion jet	gigler
	7	L053/1	fitting, 1/8" male to 1/4" male	raccordo M.1/8"-M.1/4" x elettrovalvola
	8	L100/D	copper washer	rondella rame 14X10X1,5
	9	L053	solenoid valve, 2 way, hot water, 220V	elettrovalvola 2 vie, 220V
		L053/200	solenoid valve, 2 way, hot water, 200V	elettrovalvola 2 vie, 200V
	10	L053/2	fitting, solenoid valve to hot water spout	raccordo nichelato M.1/8"-M.3/8" elettrovalv.2 vie
	11	L165/2	washer, steam wand	rondella ottone x snodo 16X26X1
	12	L183/1	locknut, for hot water valve, chrome plated	controdado 3/8" cromato
	13	L169/A1	gasket, teflon, for hot water	guarnizione teflon FA 112
14	L160	hot water spout assembly	diffusore acqua calda	
15	L053/C	hot water valve complete, 220V	valvola acqua calda completa, 220V	
	L053/C200	hot water valve complete, 200V	valvola acqua calda completa, 200V	

# Electrical System and Pump





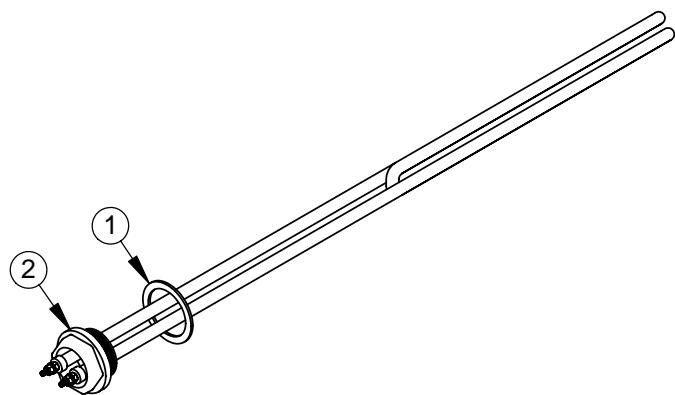
# Electrical System and Pump

<i>Item</i>	<i>Part Number/Codice</i>	<i>Description</i>	<i>DESCRIZIONE</i>
1	L290/3UL	220V motor (UL) (50-60 Hz)	motore 220V (UL) (50-60 Hz)
2	L290/5	220V motor (CE) (220V-50Hz)	motore 220V (CE) (220V-50Hz)
	L290/7	200V motor (CE) (200V-50Hz)	motore 200V (CE) (200V-50Hz)
3	L032/P	check valve	valvola ritegno 3/8" gas
4	L290/1	pump	corpo pompante
5	L306/G	elbow, 3/8"NPT to 3/8" compression	raccordo a gomito 3/8" - 3/8"
6	L206	EMC filter	filtro EMC
7	L204	electromgn. compatibility filter	condensatori in serie antidisturbo
9	L305/N	fitting, 3/8"M-3/8M	nipplo, 3/8"M-3/8M
10a	E.1.001	CPU 2/3/4 groups for GB/5 & FB/80 AV	dosatura 2/3/4 gruppi GB/5 & FB80 AV
10b	E.1.010	CPU 2/3/4 groups for GB/5 & FB/80 EE	dosatura 2/3/4 gruppi GB/5 & FB80 EE
11	E.1.006	triac 2 x 2/3 gr - 3 x 4 gr	triac 2 x 2/3 gr - 3 x 4 gr
12	LAD3D5/C02	110 cm ribbon cable (16pin)	cavo pulsantiera cm. 110
13	LAD3D5/C03	140 cm ribbon cable (16pin)	cavo pulsantiera cm. 140
14	E.4.009	tea ribbon cable button	cavo pulsante tè
15			

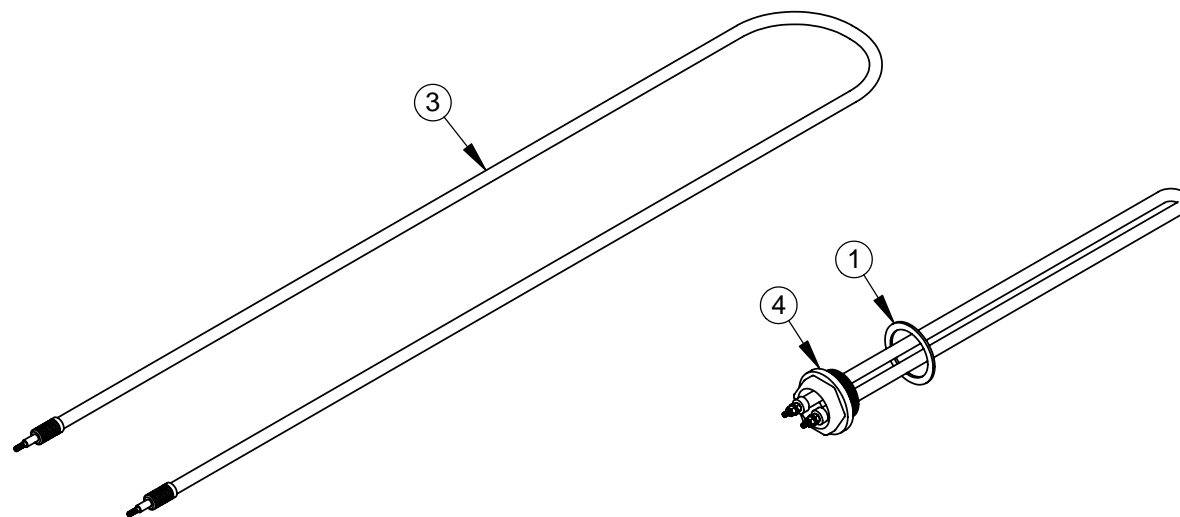




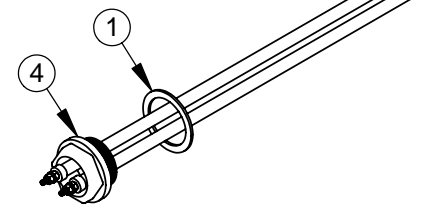
## Heating Elements



**Steam Boiler**  
**Caldaia Vapore**



**Cup Warmer**  
**Scald tazze**



**Brew Boiler**  
**Caldaia Caffè**



# Heating Elements

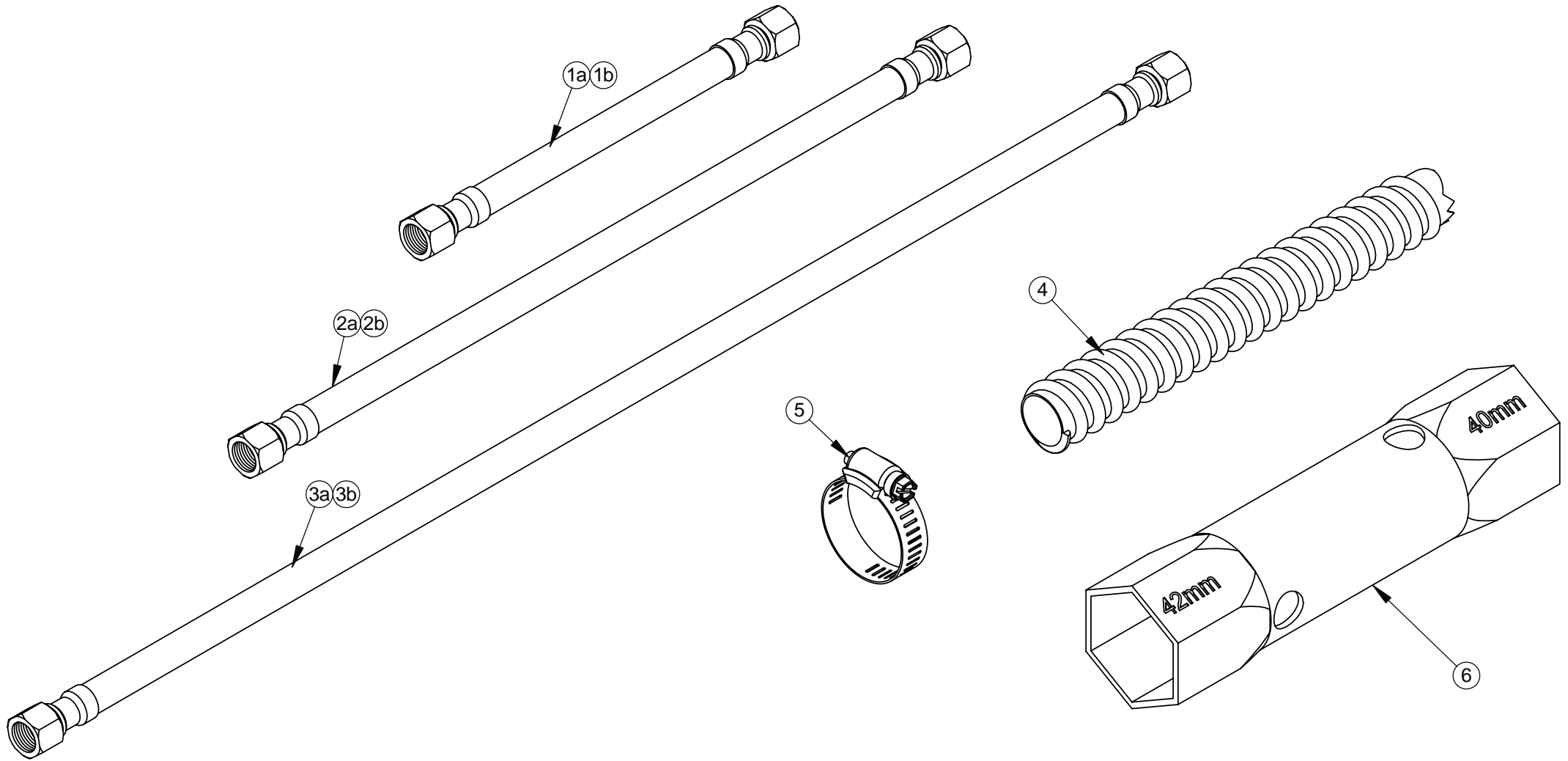
<b>Resistenze Elettriche</b>	1	<b>Gasket</b>	<b>Guarnizione</b>
	*	LR360	gasket
	2	<b>Standar elements for steam boiler</b>	<b>Resistenze standard per caldaia vapore</b>
*	LR342/220B	W2000, 220V cm.29 1-1/4" 2gr steam boiler element	resist. W2000, 220V cm.29 1-1/4" - caldaia vap. 2gr
*	LR350/380B	W2000, 380V cm.29 1-1/4" 2gr steam boiler element	resist. W2000, 380V cm.29 1-1/4" - caldaia vap. 2gr
*	LR345/220B	W3000, 220V cm.50 1-1/4" 3gr steam boiler element	resist. W3000, 220V cm.50 1-1/4" - caldaia vap. 3gr
*	LR353/380B	W3000, 380V cm.50 1-1/4" 3/4gr steam boiler element	resist. W3000, 380V cm.50 1-1/4" - caldaia vap. 3gr
*	LR346/220B	W3800, 220V cm.50 1-1/4" 4gr steam boiler element	resist. W3800, 220V cm.50 1-1/4" - caldaia vap. 4gr
*	LR358/200B	W2000, 200V cm.29 1-1/4" 2gr steam boiler element	resist. W2000, 200V cm.65 1-1/4" - caldaia vap. 2gr
*	LR359/200B	W3000, 200V cm.50 1-1/4" 3gr steam boiler element	resist. W3000, 200V cm.50 1-1/4" - caldaia vap. 3gr
*		<b>High power elements for steam boiler</b>	<b>Resistenze maggiorate per caldaia vapore</b>
*	LR357/200B	W3000, 200V cm.39 1-1/4" 2gr steam boiler element	resist. W3000, 200V cm.39 1-1/4" - caldaia vap. 2gr
*	LR357/220B	W3000, 220V cm.39 1-1/4" 2gr steam boiler element	resist. W3000, 220V cm.39 1-1/4" - caldaia vap. 2gr
*	LR357/380B	W3000, 380V cm.39 1-1/4" 2gr steam boiler element	resist. W3000, 380V cm.39 1-1/4" - caldaia vap. 2gr
*	LR356/200B	W4000, 200V cm.50 1-1/4" 3gr steam boiler element	resist. W4000, 200V cm.50 1-1/4" - caldaia vap. 3gr
*	LR356/220B	W4000, 220V cm.50 1-1/4" 3gr steam boiler element	resist. W4000, 220V cm.50 1-1/4" - caldaia vap. 3gr
*	LR356/380B	W4000, 380V cm.50 1-1/4" 3gr steam boiler element	resist. W4000, 380V cm.50 1-1/4" - caldaia vap. 3gr
*	LR355/200B	W5000, 200V cm.65 1-1/4" 4gr steam boiler element	resist. W5000, 200V cm.65 1-1/4" - caldaia vap. 4gr
*	LR355/220B	W5000, 220V cm.65 1-1/4" 4gr steam boiler element	resist. W5000, 220V cm.65 1-1/4" - caldaia vap. 4gr
*	LR355/380B	W5000, 380V cm.65 1-1/4" 4gr steam boiler element	resist. W5000, 380V cm.65 1-1/4" - caldaia vap. 4gr
<b>Item</b>	<b>Part number/Codice</b>	<b>Description</b>	<b>Descrizione</b>



# Heating Elements

<b>Resistenze Elettriche</b>	3		<b>Cupwarmer element</b>	<b>Resistenza scaldatazze</b>
	*	LR370	2gr cupwarmer element W.280	resistenza scaldatazze 280W
	*	LR371	3gr cupwarmer element W.400	resistenza scaldatazze 400W
	*	LR372	3gr cupwarmer element W.600	resistenza scaldatazze 600W
	4		<b>Standard elements for brew boiler</b>	<b>Resistenze standard per caldaia caffè</b>
	*	LR365/200	W1400, 200V cm.40 1-1/4" 2gr brew boiler element	resist. W1400, 200V cm.40 1-1/4" - caldaia caffè 2gr
	*	LR365/220	W1400, 220V cm.40 1-1/4" 2gr brew boiler element	resist. W1400, 220V cm.40 1-1/4" - caldaia caffè 2gr
	*	LR365/380	W1400, 380V cm.40 1-1/4" 2gr brew boiler element	resist. W1400, 380V cm.40 1-1/4" - caldaia caffè 2gr
	*	LR362/220	W1600, 220V cm.65 1-1/4" 3gr brew boiler element	resist. W1600, 220V cm.65 1-1/4" - caldaia caffè 3gr
	*	LR364/380	W1600, 380V cm.65 1-1/4" 3gr brew boiler element	resist. W1600, 380V cm.65 1-1/4" - caldaia caffè 3gr
	*		<b>High power elements for brew boiler</b>	<b>Resistenze maggiorate per caldaia caffè</b>
	*	LR366/200	W1900, 200V cm.65 1-1/4" 3gr brew boiler element	resist. W1900, 200V cm.65 1-1/4" - caldaia caffè 3gr
	*	LR366/220	W1900, 220V cm.65 1-1/4" 3gr brew boiler element	resist. W1900, 220V cm.65 1-1/4" - caldaia caffè 3gr
	*	LR366/380	W1900, 380V cm.65 1-1/4" 3gr brew boiler element	resist. W1900, 380V cm.65 1-1/4" - caldaia caffè 3gr
	<b>Item</b>	<b>Part number/Codice</b>	<b>Description</b>	

# Hoses and Parts

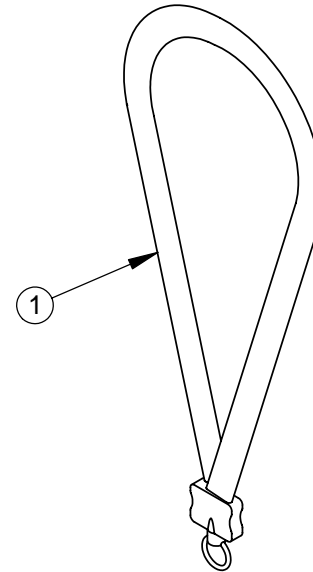
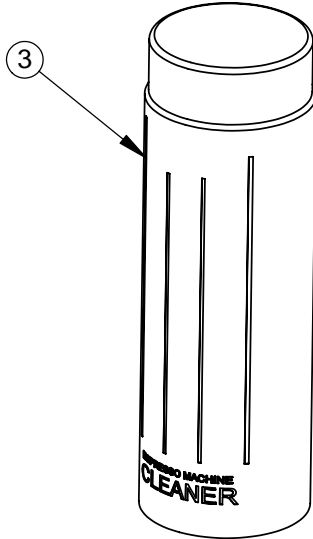
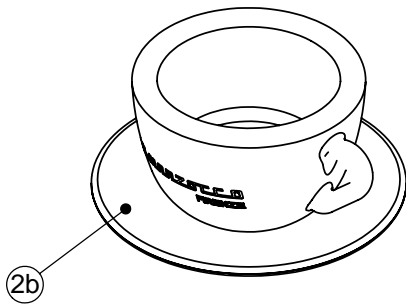
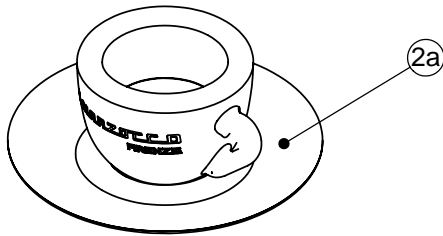




## Hoses and Parts

<b>TUBI e UTENSILI</b>	1a	L305/050	50cm stainless steel braided hose	tubo flessibile inox.3/8F-3/8F cm.50
	1b	L306/050	50cm stainless steel braided hose, 3/8" compression	
	2a	L305/120	120cm stainless steel braided hose	tubo flessibile inox.3/8F-3/8F cm.120
	2b	L306/120	120cm stainless steel braided hose, 3/8" compression	
	3a	L305/210	210cm stainless steel braided hose	tubo flessibile inox.3/8F-3/8F cm.210
	3b	L306/210	210cm stainless steel braided hose, 3/8" compression	
	4	L309	clear armoured drain hose	tubo springvin. elastic mm.20
5	L312	hose clamp	fascetta serratubo mm. 14/24	
6	UT360/42	element tool 40/42	chiave resistenza 40/42	
	<i>Item</i>	<i>Part Number/Codice</i>	<i>Description</i>	<i>Descrizione</i>

# Accessories





# Accessories

<b>Accessori</b>	<i>Item</i>	<i>Part Number/Codice</i>	<i>Description</i>	<i>Descrizione</i>
	1	V050	La Marzocco lanyard	Portabadge/chiavi La Marzocco
	2a	V060	Espresso cup & saucer (pack of 6)	Tazze espresso (conf. 6pezzi)
	2b	V061	Cappuccino cup and saucer (pack of 6)	Tazze cappuccino (conf. 6pezzi)
	3	V065	Puro Caf Espresso Machine Cleaner	Barattolo Puly Caf



MACCHINE  
DA CAFFÈ ESPRESSO  
DAL 1927



*LA MARZOCCO, s.r.l.*

VIA BOLOGNESE 68 PIAN DI SAN BARTOLO 50010 FIRENZE, ITALY

T: +39.055.401.39 F: +39.055.401.349

E-MAIL: [INFO@LAMARZOCCO.COM](mailto:INFO@LAMARZOCCO.COM)

[WWW.LAMARZOCCO.COM](http://WWW.LAMARZOCCO.COM)