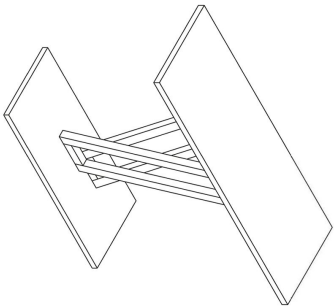
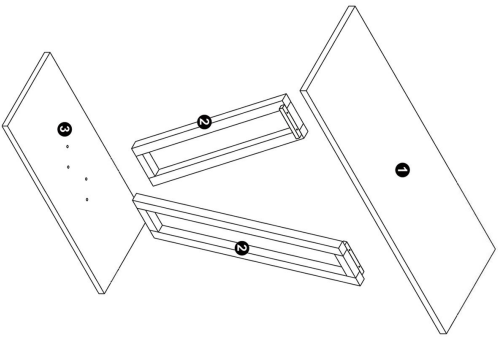


# Tribesigns LITTLE TREE Assembly Instructions



Model No. U0163, U0164, U0165

Simple table



**A** **Caution**  
Make sure all parts are included. Most board parts are labeled or stamped on the raw edge. Contact us for free replacement if having damaged or missing parts.

# 3

## Call us!

We're here to help!

If you have any issues with this product, please contact our customer service team before returning it.



We want you to be completely satisfied with your purchase! If anything is missing, damaged, incorrect, or not what you expected, don't worry. Please keep the outer packaging and take photos of both the packaging and products, and then reach out to us at support@tribesigns.com or call us at 1-424-220-6888. We'll take care of everything and send you a free replacement, so you can enjoy your purchase as soon as possible without any hassle.

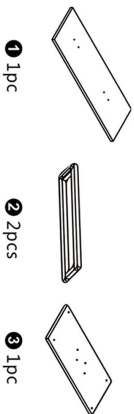
### Assembly Instructions:

1. Carefully read these instructions and keep them for future reference.
2. Refer to the parts list for guidance and ensure that you have all the pieces before starting the assembly process; if anything is missing, damaged, incorrect, contact us at support@tribesigns.com.
3. When assembling, place all parts on a soft, clean, and flat surface, such as a carpet, to prevent any scratches.
4. To avoid misalignment of the holes, please don't fully tighten the screws until you ensure all parts in place.

### Follow Tribesign:



## Parts & Hardware List



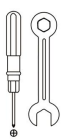
## Hardware List

- A** M8X50MM 4PCS
- B** M6X30MM 4PCS
- C** 4PCS
- D** 2PCS

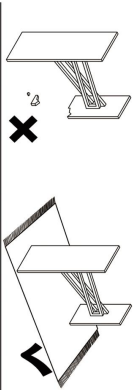
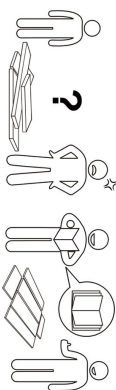
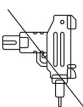
# 4



X2

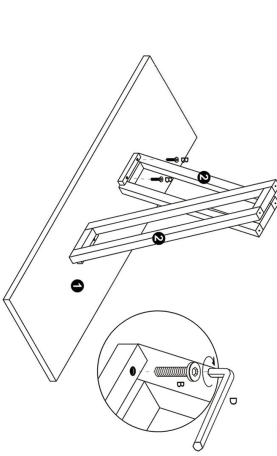
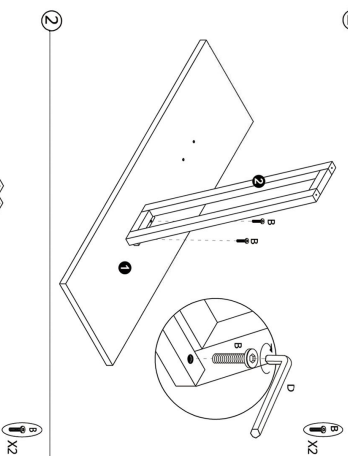


When using the electric screwdriver, reduce the power and torque to avoid damaging the furniture.

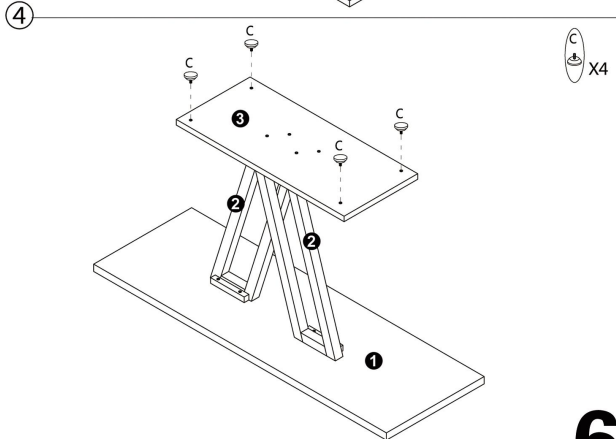
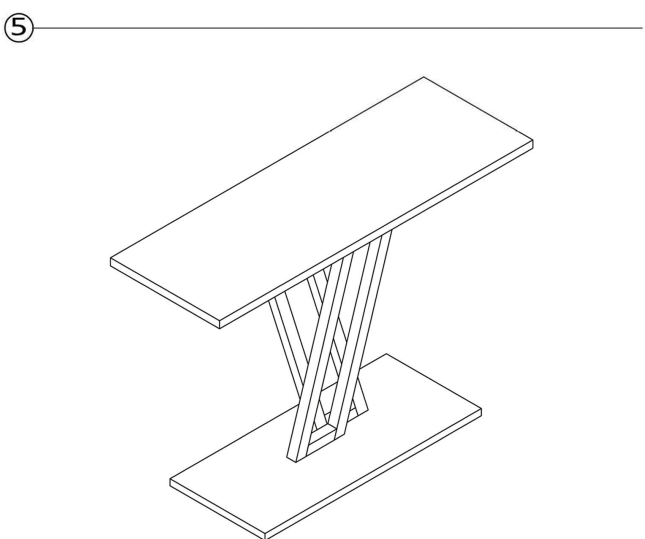
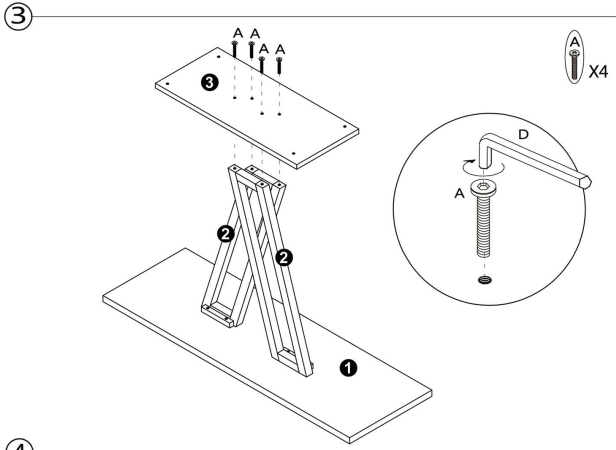


(Install leg-over restraint provided. Use of leg-over restraints may only reduce but not eliminate the risk of tip-over.)

# 2



# 5






6

7




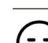


No heartburn,  
when we handle  
the return

Our way

-  support@tribesigns.com
-  Replacement/Refund
-  You

Their way

-  Re-package item
-  Schedule pick-up
-  Track package
-  Replacement
-  You

Contact our customer service team



support@tribesigns.com  
www.tribesigns.com



1-424-220-6888