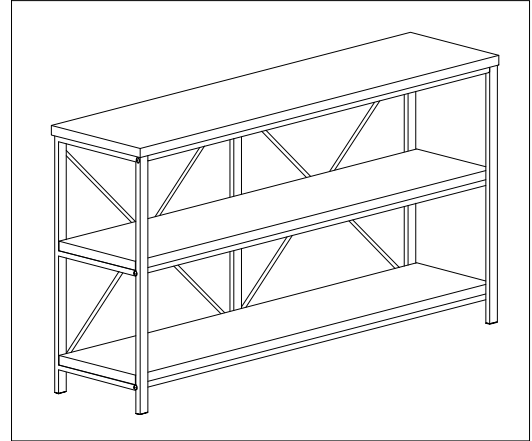
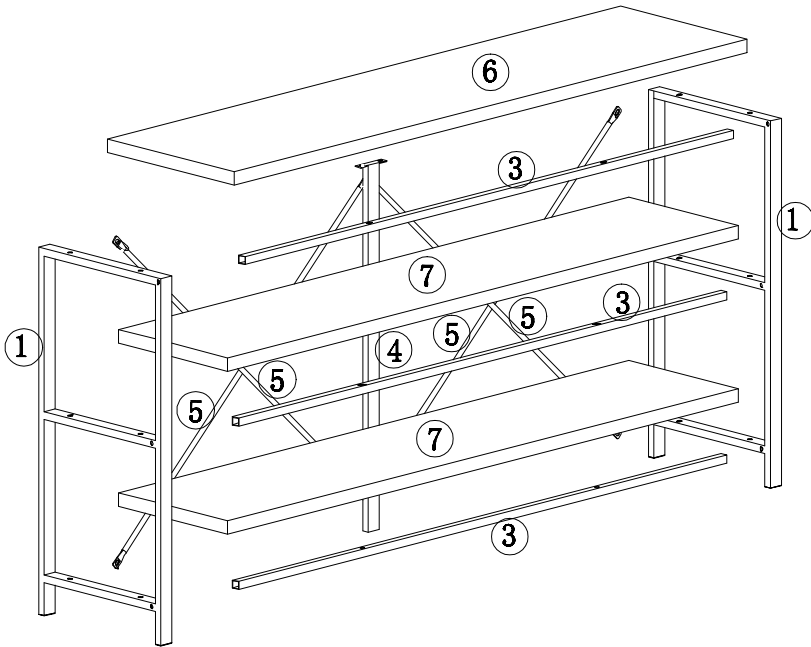


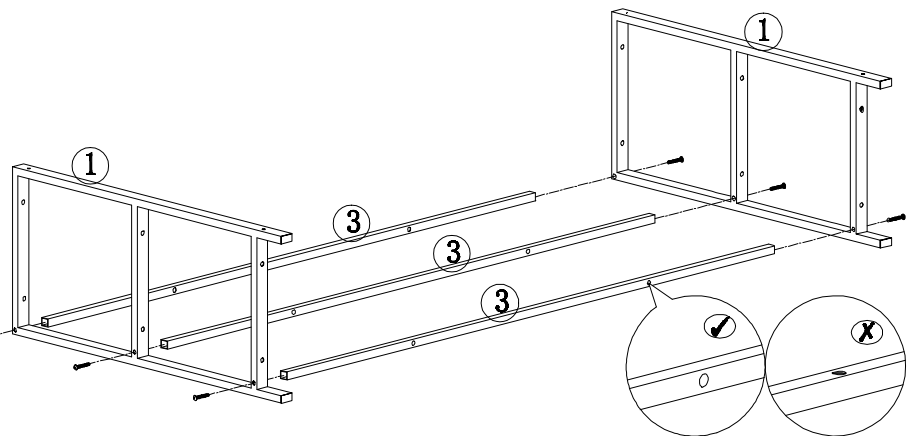
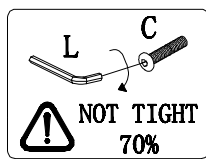
# Assembly Instruction



A	×8	B	×20	C	×6	D	×2	L	×1
M6×12mm		M6×25mm		M6×45mm				4mm	

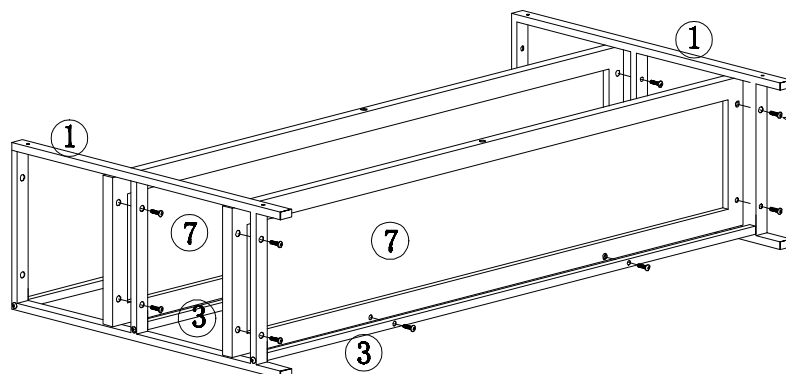
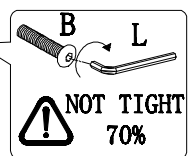
1

C	×6
M6×45mm	
L	×1
4mm	

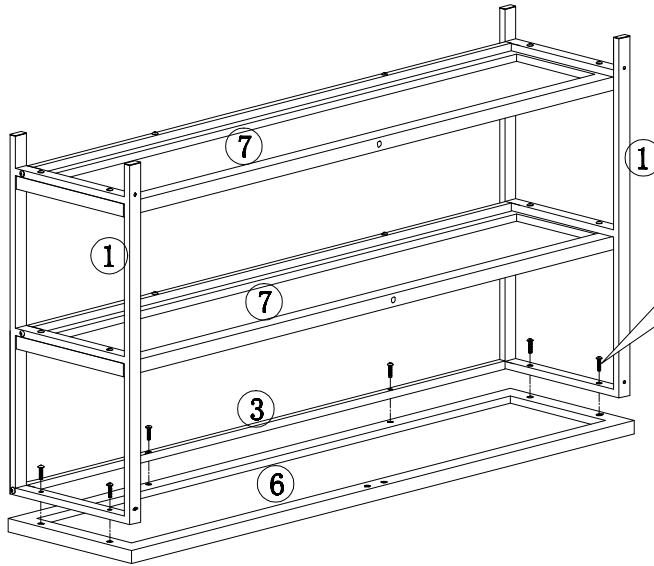


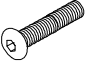
2


B	×12
M6×25mm	
L	×1
4mm	

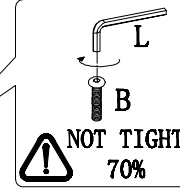


3

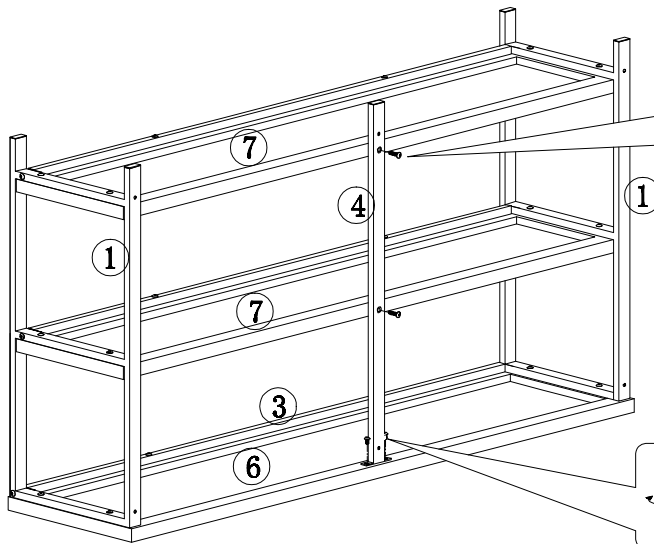


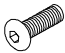
B	× 6
	
M6×25mm	

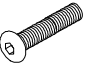
L	× 1
	
4mm	




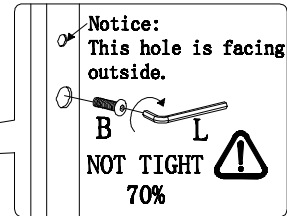
4



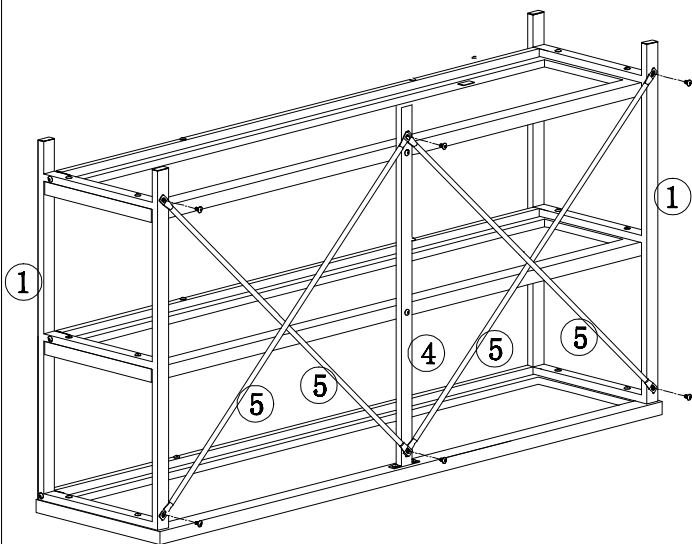
A	× 2
	
M6×12mm	


B	× 2
	
M6×25mm	

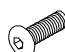
L	× 1
	
4mm	




5



D	× 2
	

A	× 6
	
M6×12mm	

L	× 1
	
4mm	

