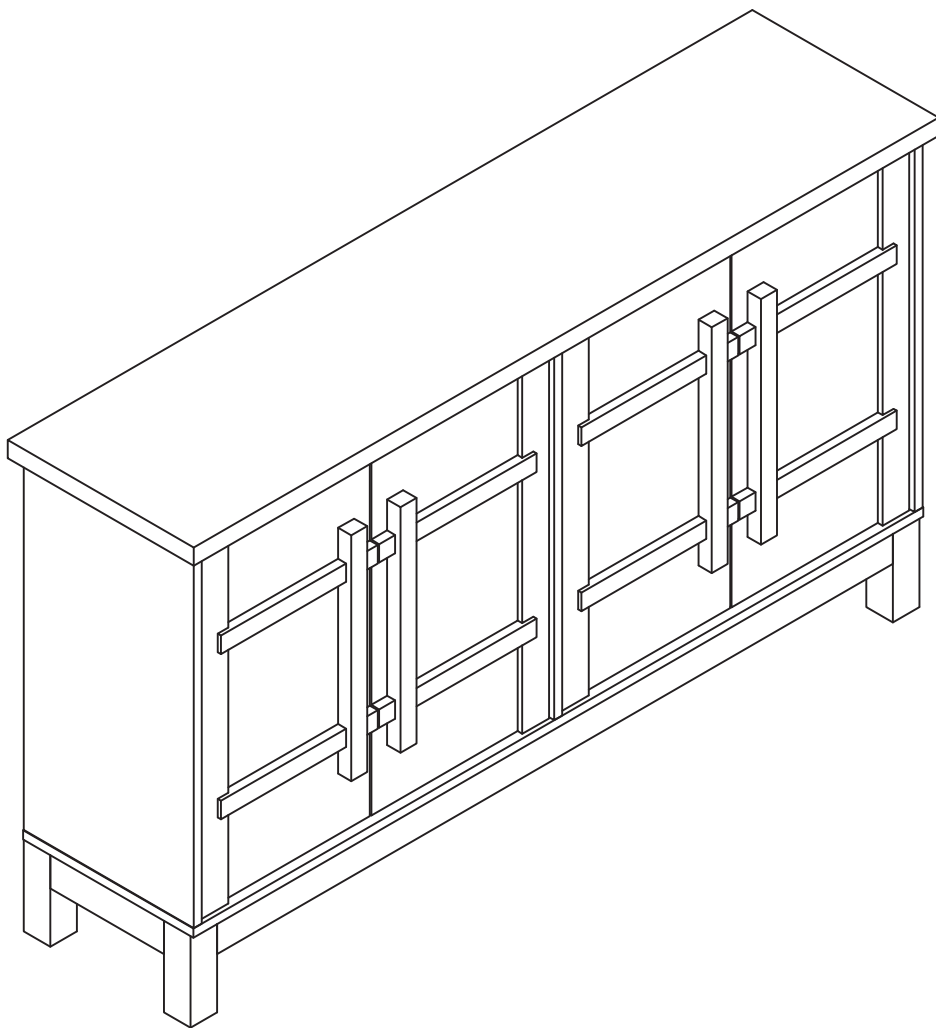


Tribesigns

Assembly Instructions



Sideboard cabinet

Model No.
HOGA-RY0088

www.tribesigns.com

Contact Us

We're here to help you.




Your satisfaction is our top priority. If you encounter any issues with this product, such as missing or damaged parts, we're here to help. Please retain the original packaging and take photos of the packaging and the product, then contact us as soon as possible.

Warm Tips

1. Carefully read these instructions and keep them for future reference.
2. Check the parts list and confirm everything's there before starting assembly.
3. When assembling, put all parts on a soft, smooth surface like a carpet to avoid scratches.
4. Don't fully tighten screws until all parts are confirmed in place to avoid misalignment.

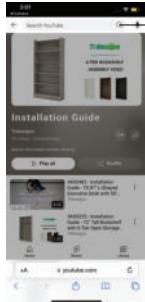
How to Get the Assembly Video

Step 1 Scan the QR code.



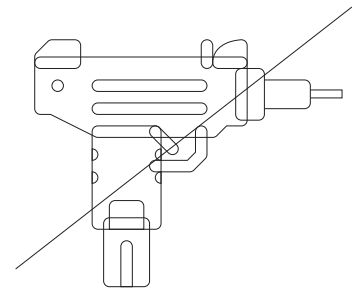
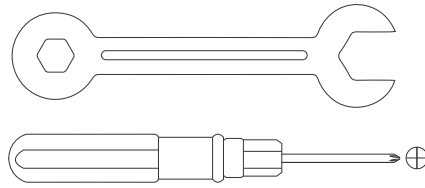
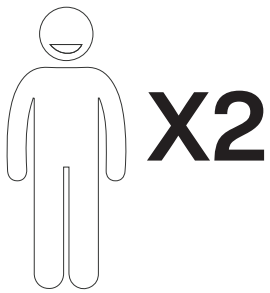
Installation Video

Step 2 Search with the Model No.
(on the bottom left corner of the title page)



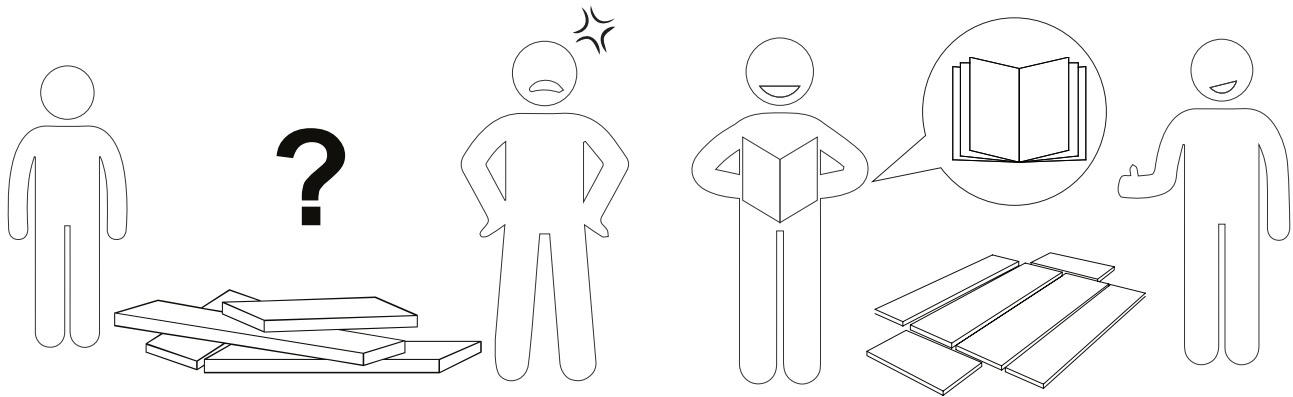
HOGA-RY0088

Note: If you can't find the assembly video, please contact us.



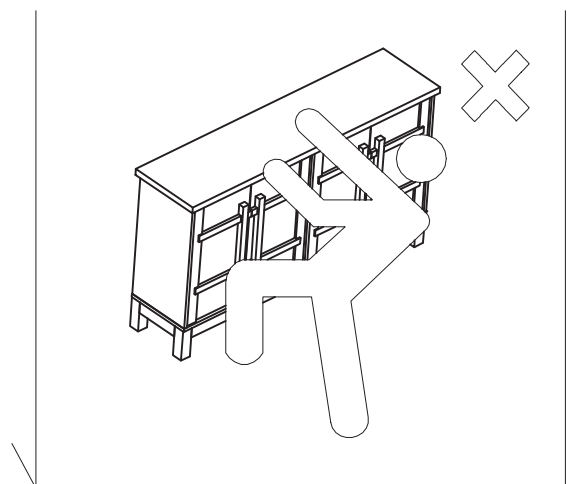
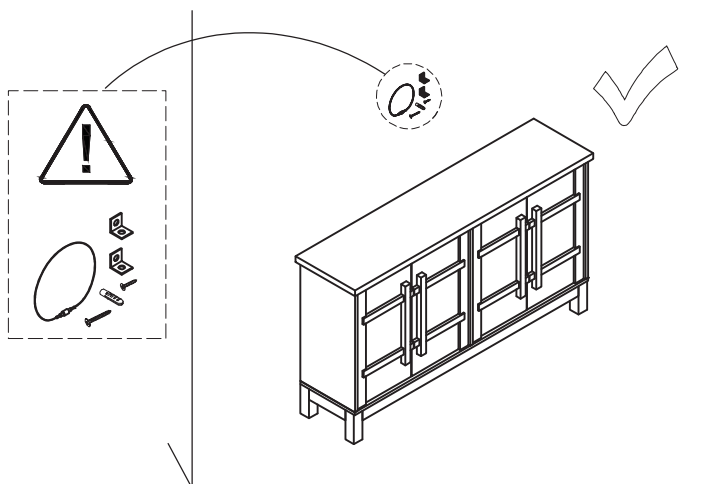
We recommend using hand tools for assembly.

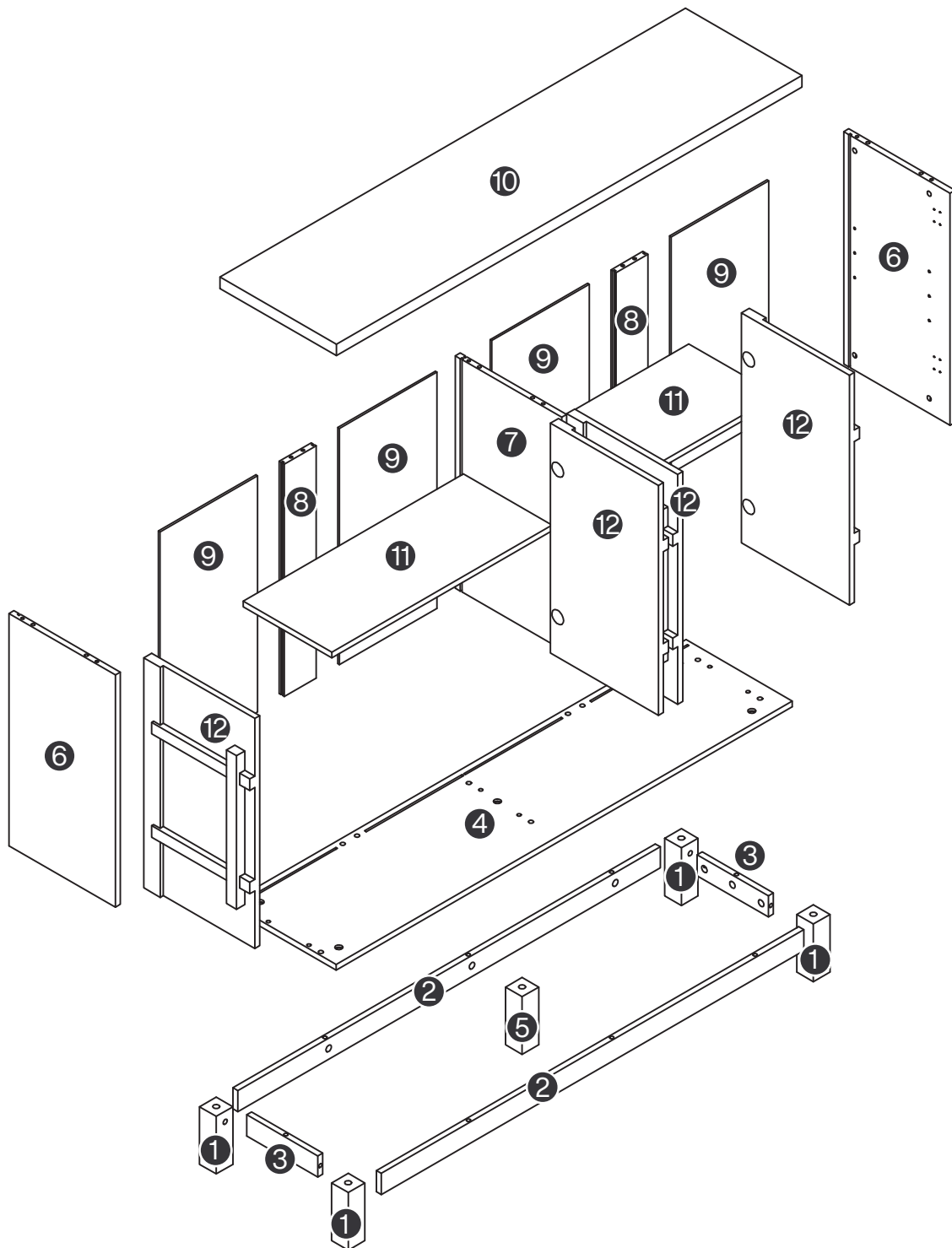
If an electric screwdriver is used, reduce power and torque to avoid damage to the product.



Install the Anti-Tip Kit


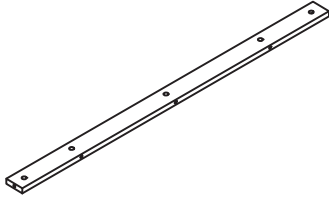
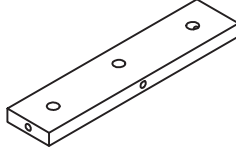
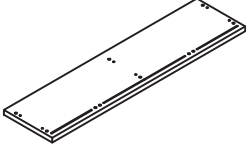

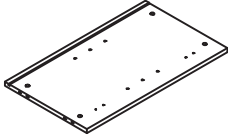
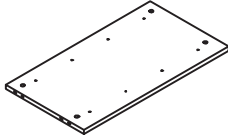
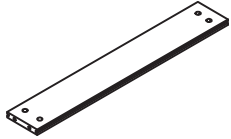
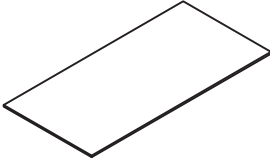
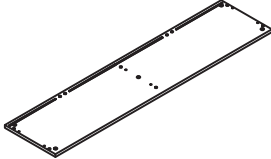
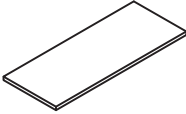
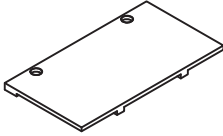
Using the anti-tip Kit can reduce the risk of tipping over, but can not eliminate it.



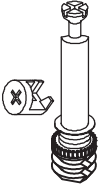


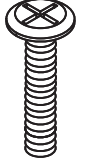
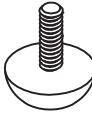


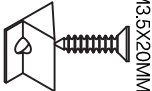

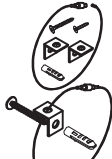

**⚠ Caution**

Make sure all parts are included. Most board parts are labeled or stamped on the raw edge. Contact us for a free replacement if you encounter any damaged or missing parts.

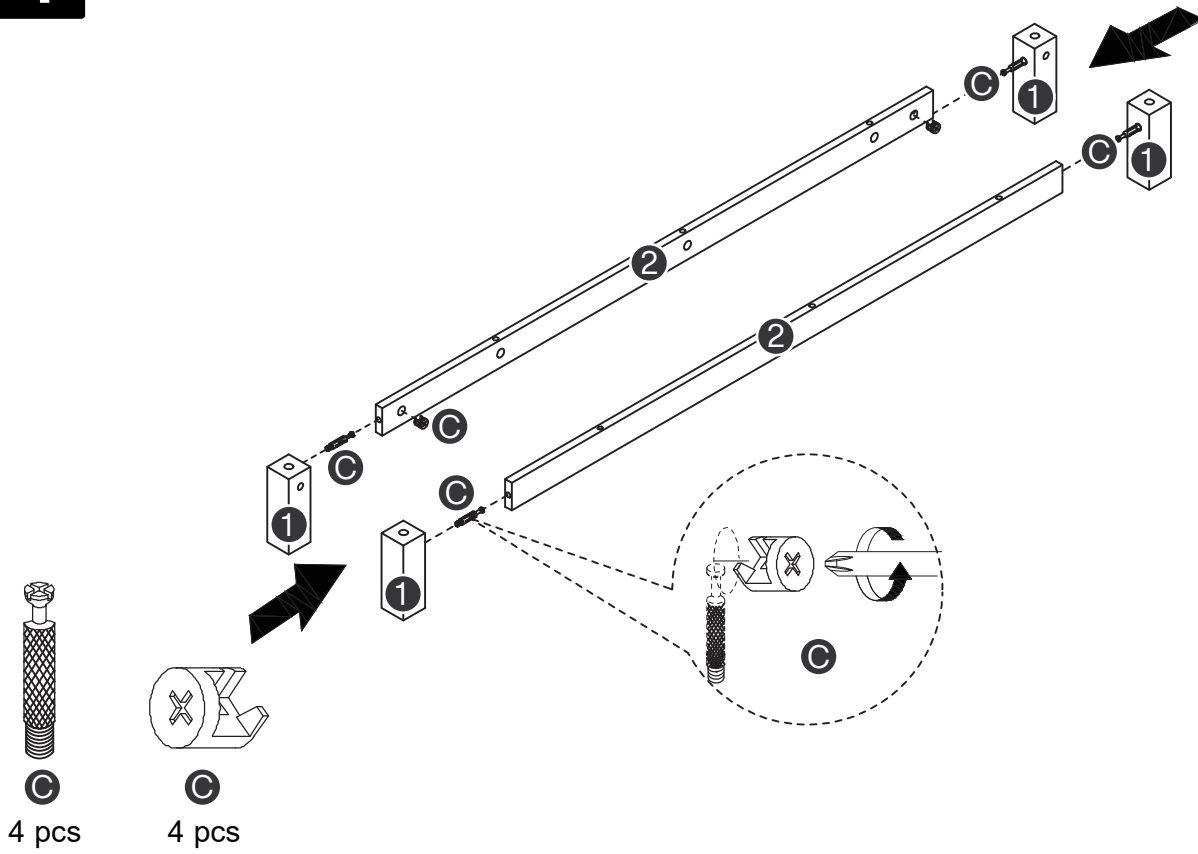
Parts List

 <p>1 4 pcs</p>	 <p>2 2 pcs</p>	 <p>3 2 pcs</p>	 <p>4 1 pc</p>
 <p>5 1 pc</p>	 <p>6 2 pcs</p>	 <p>7 1 pc</p>	 <p>8 2 pcs</p>
 <p>9 4 pcs</p>	 <p>10 1 pc</p>	 <p>11 2 pcs</p>	 <p>12 4 pcs</p>

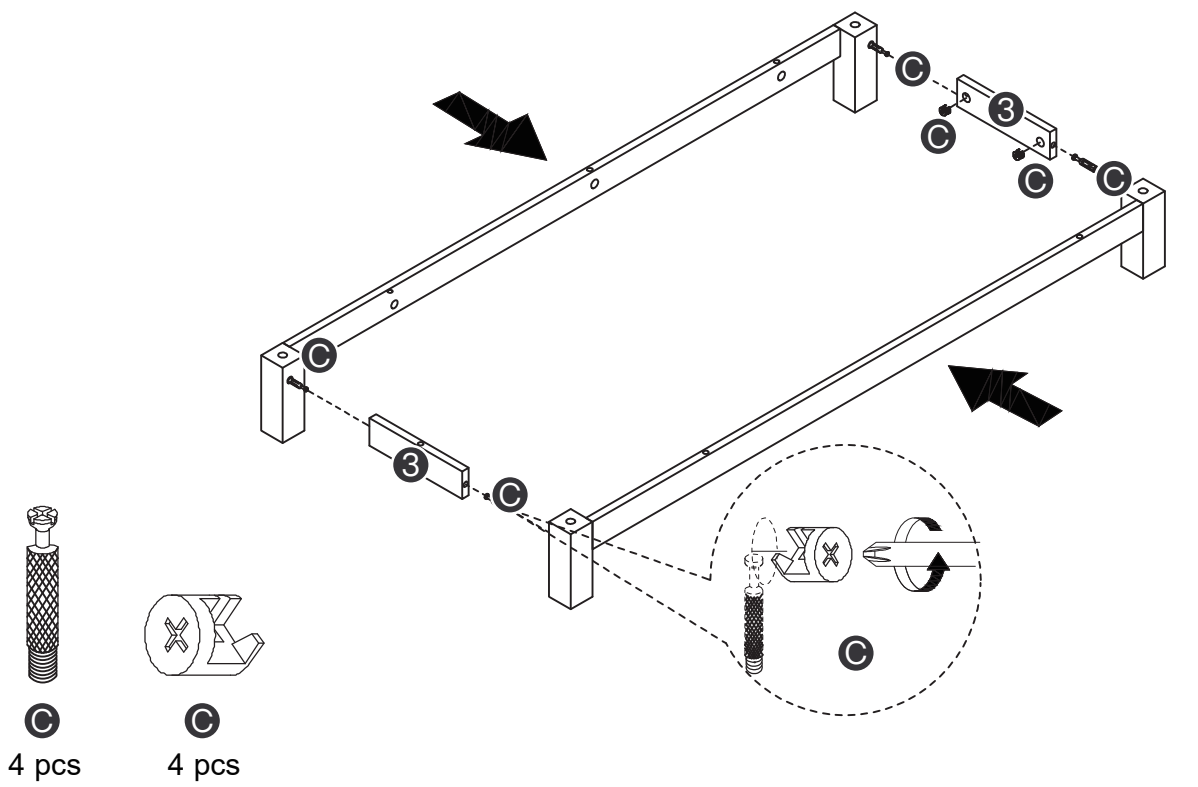
Hardware List

 <p>M6X40MM</p> <p>A</p> <p>28 pcs</p>	 <p>Ø8X30MM</p> <p>B</p> <p>12 pcs</p>	 <p>M6X40MM</p> <p>C</p> <p>8 pcs</p>	 <p>M8X25MM</p> <p>D</p> <p>5 pcs</p>	 <p>E</p> <p>5 pcs</p>	 <p>M3.5X14MM</p> <p>F</p> <p>48 pcs</p>
 <p>G</p> <p>8 pcs</p>	 <p>M3.5X20MM</p> <p>H</p> <p>16 pcs</p>	 <p>I</p> <p>8 pcs</p>	 <p>J</p> <p>2 pcs</p>	 <p>K</p> <p>1 pc</p>	

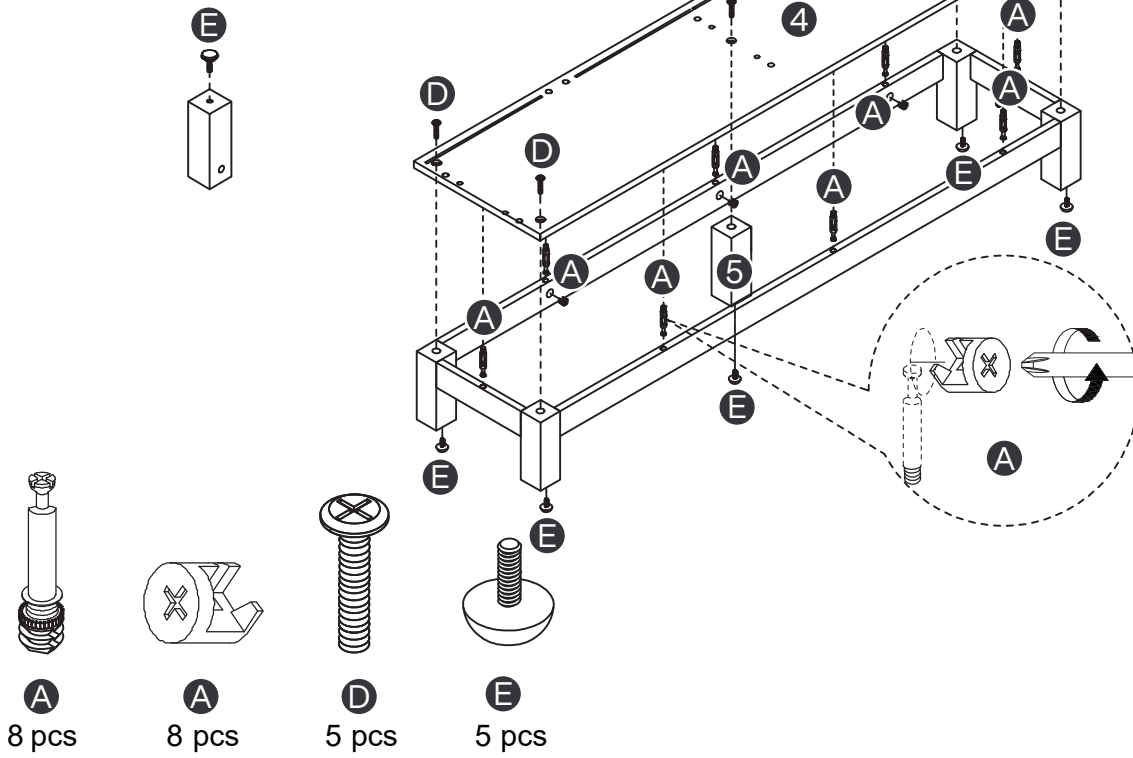
1



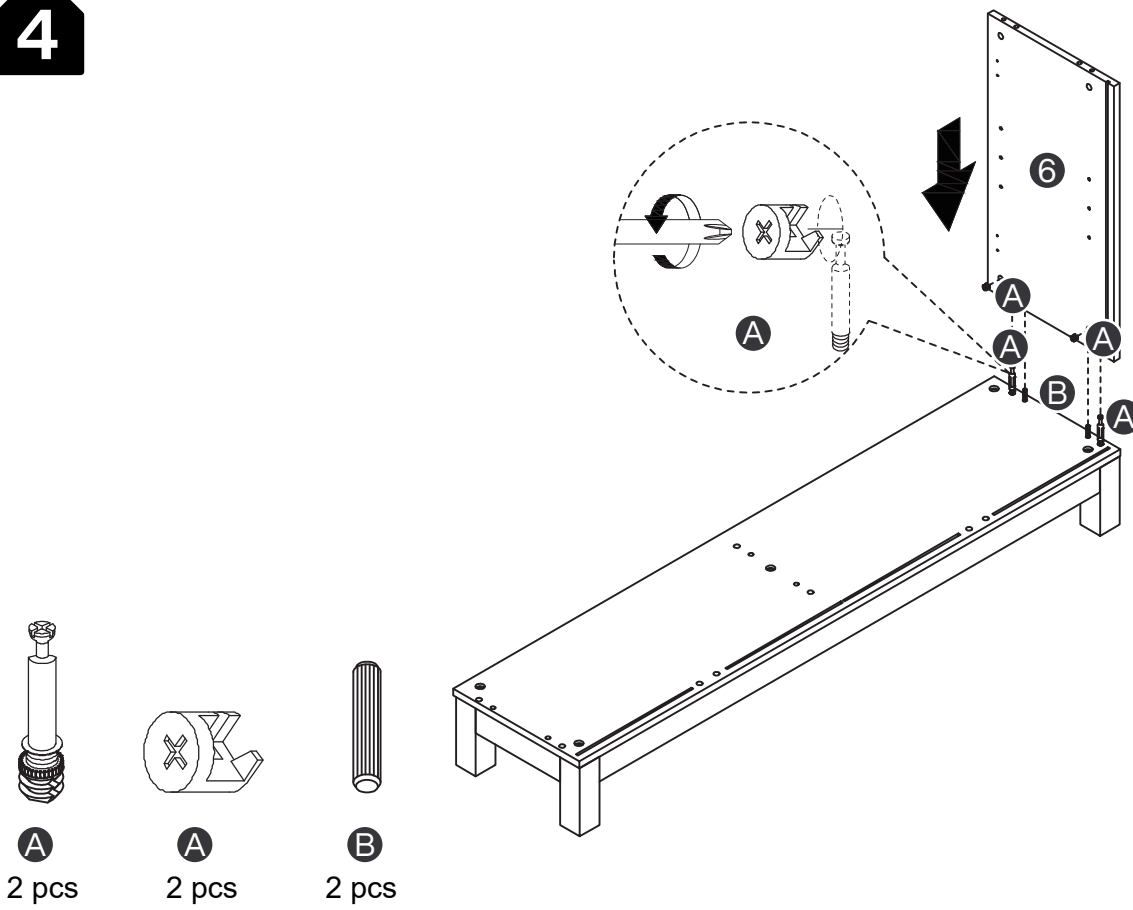
2



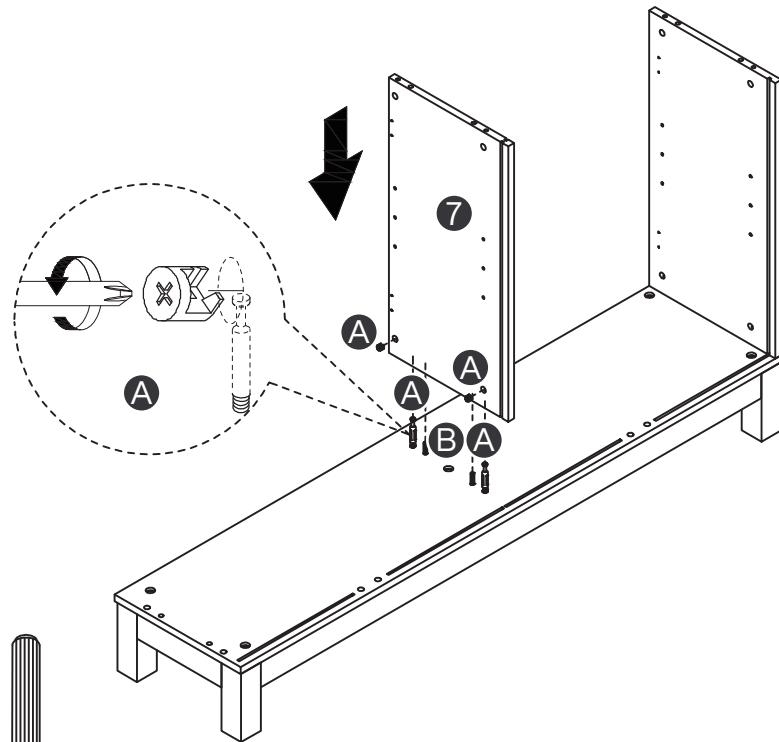
3

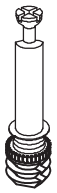




4

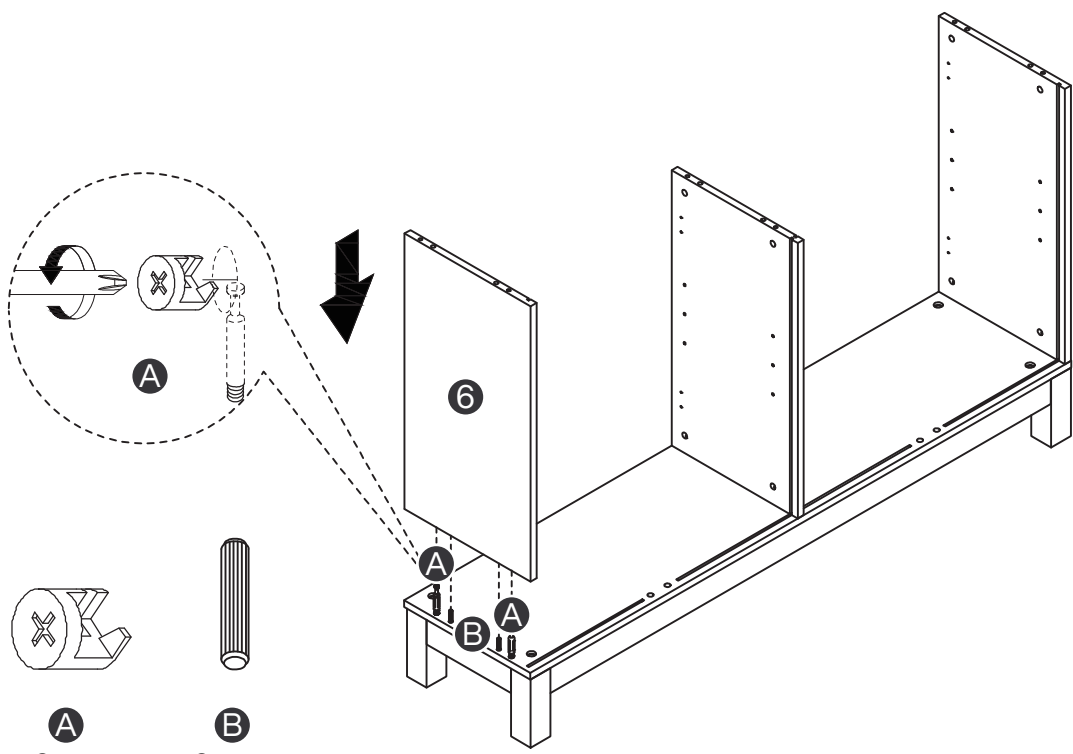





5



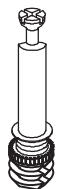
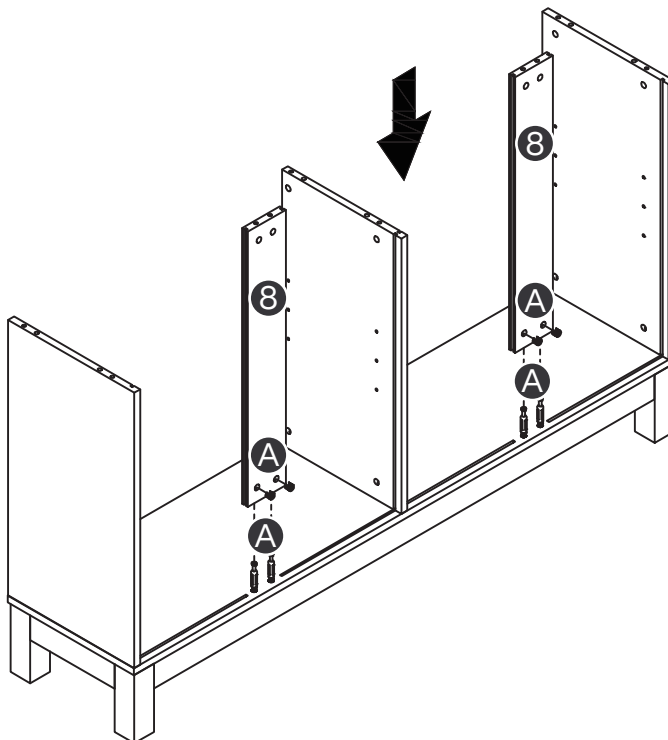
- 
A
2 pcs
- 
A
2 pcs
- 
B
2 pcs

6



- 
A
2 pcs
- 
A
2 pcs
- 
B
2 pcs

7

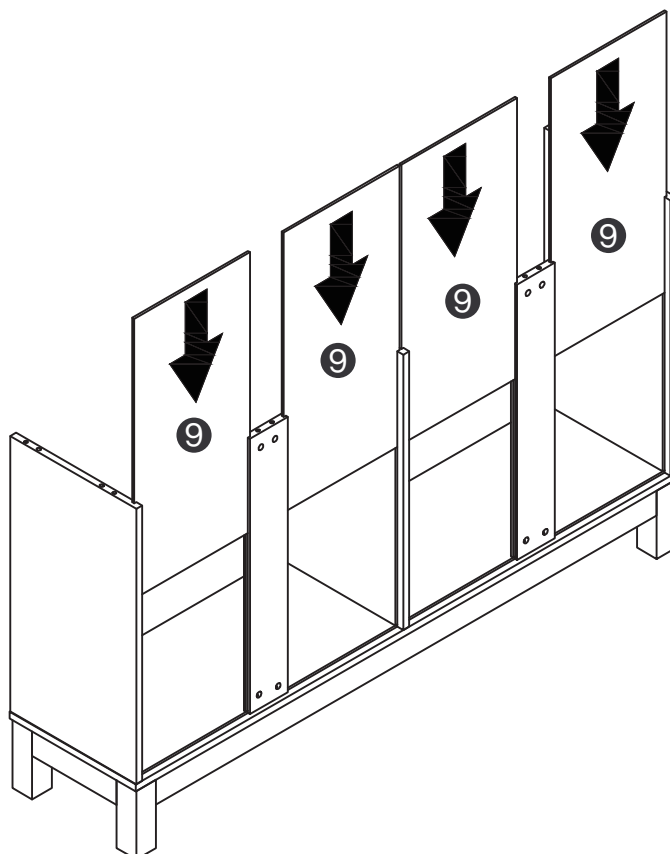


A
4 pcs

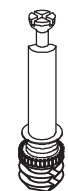
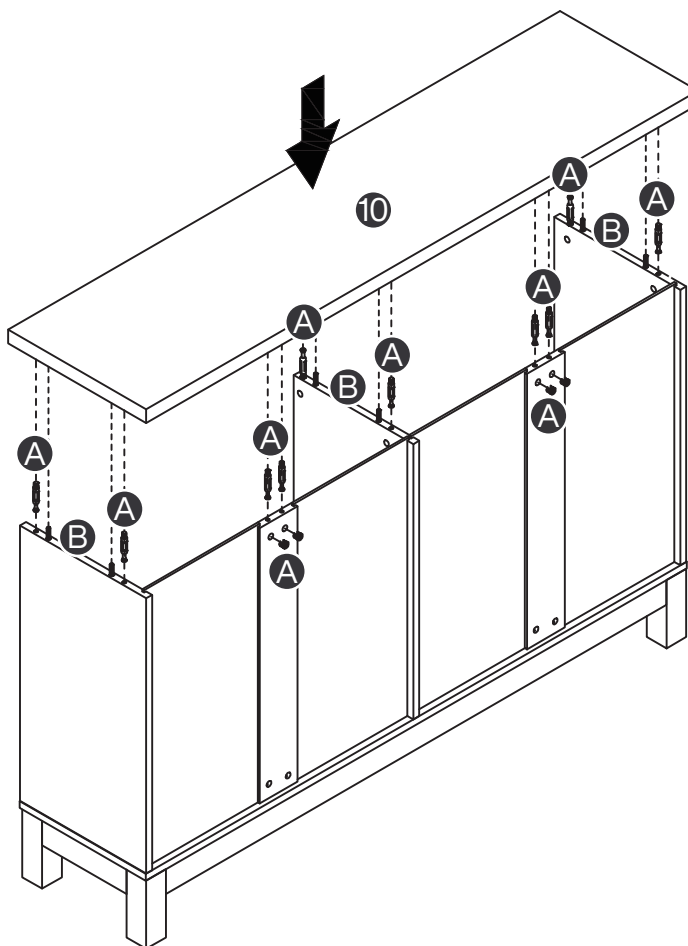


A
4 pcs

8



9



A
10 pcs

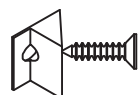
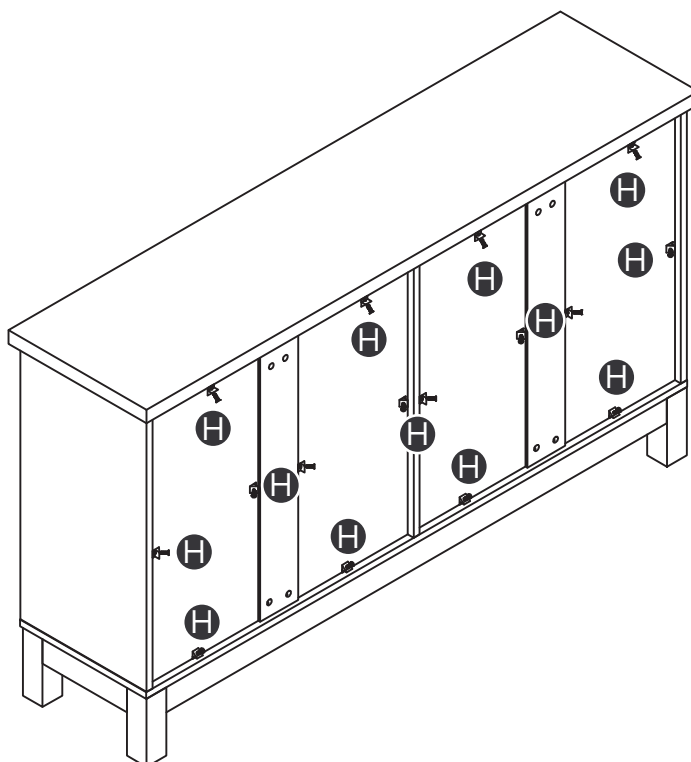


A
10 pcs



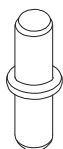
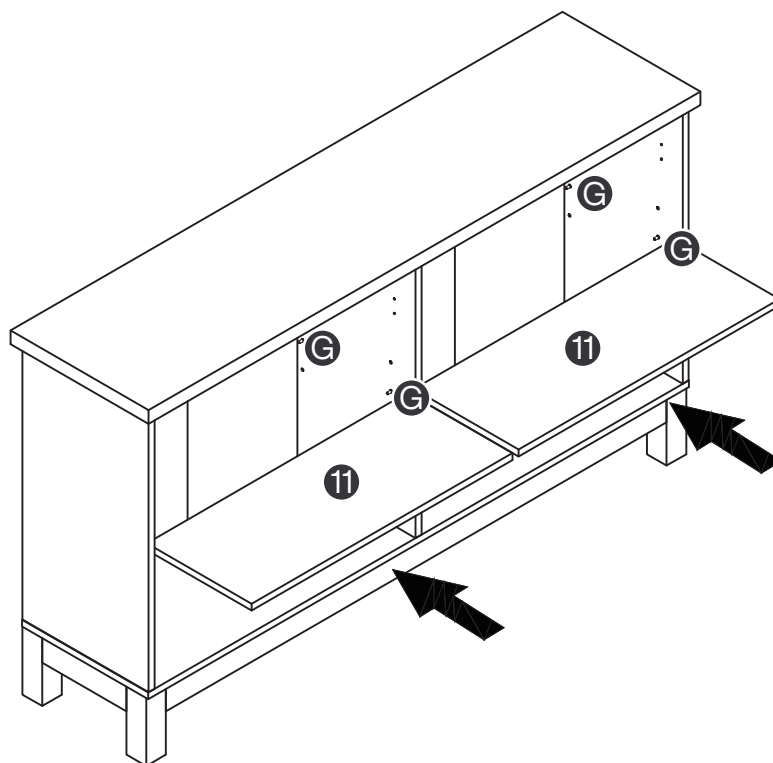
B
6 pcs

10



H
16 pcs

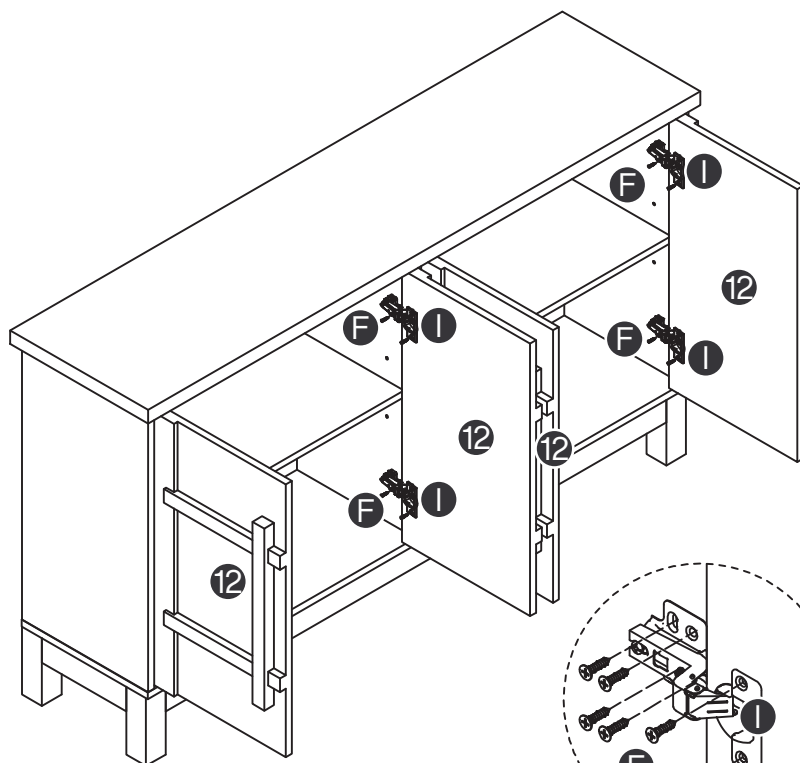
11



G

8 pcs

12



I

8 pcs

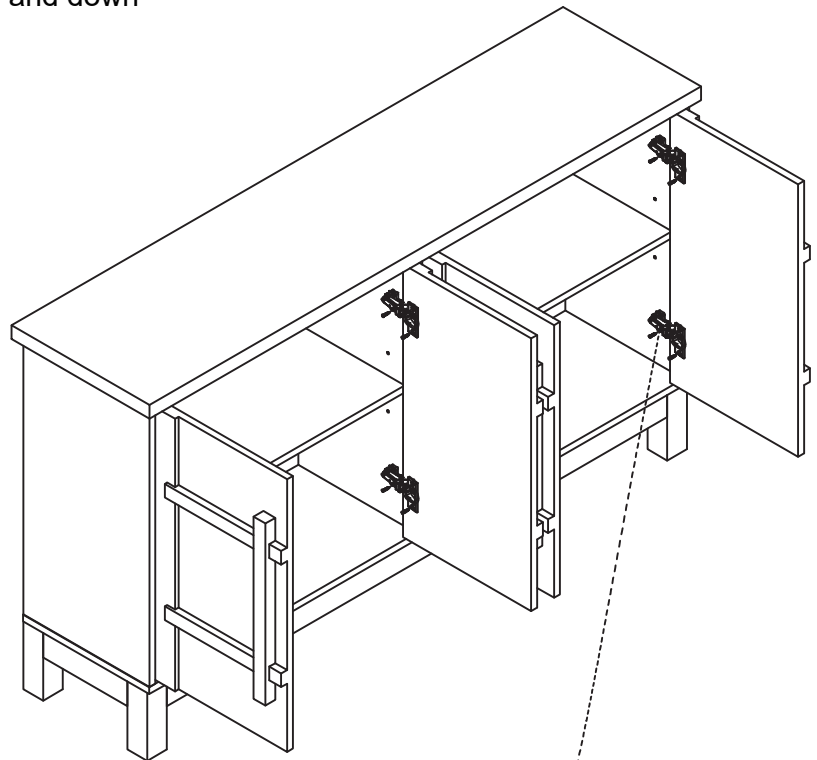
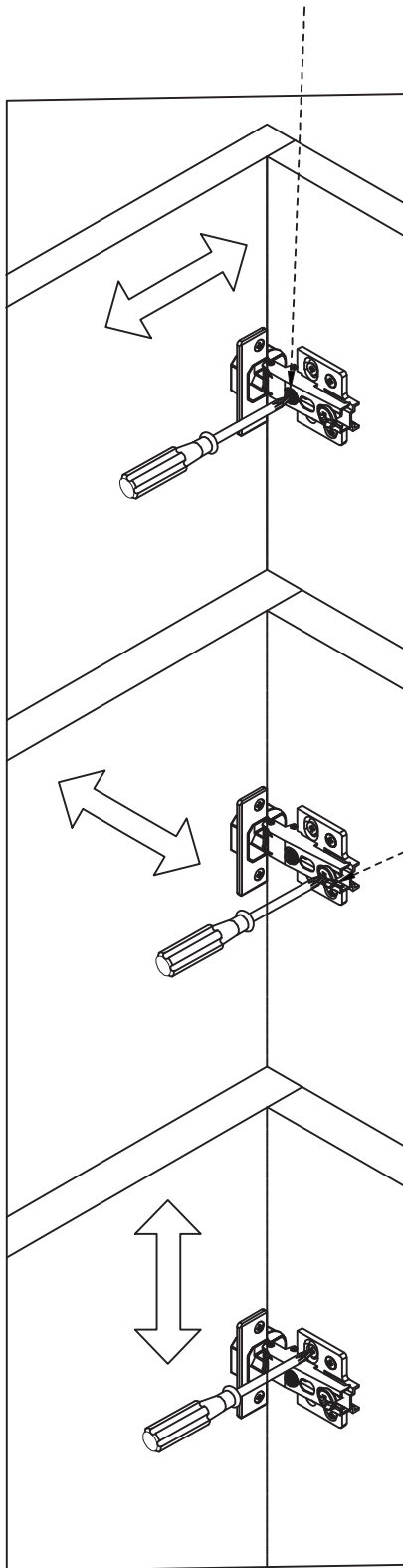


F

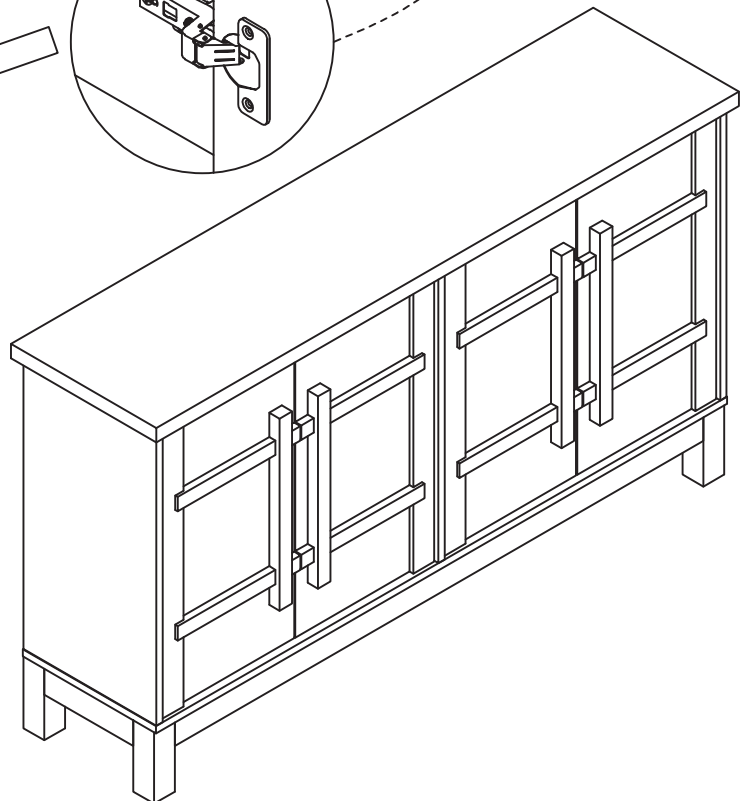
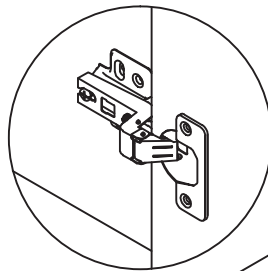
48 pcs

13

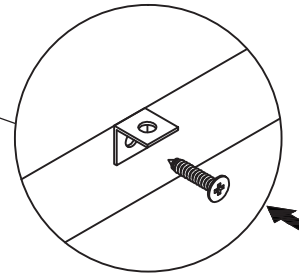
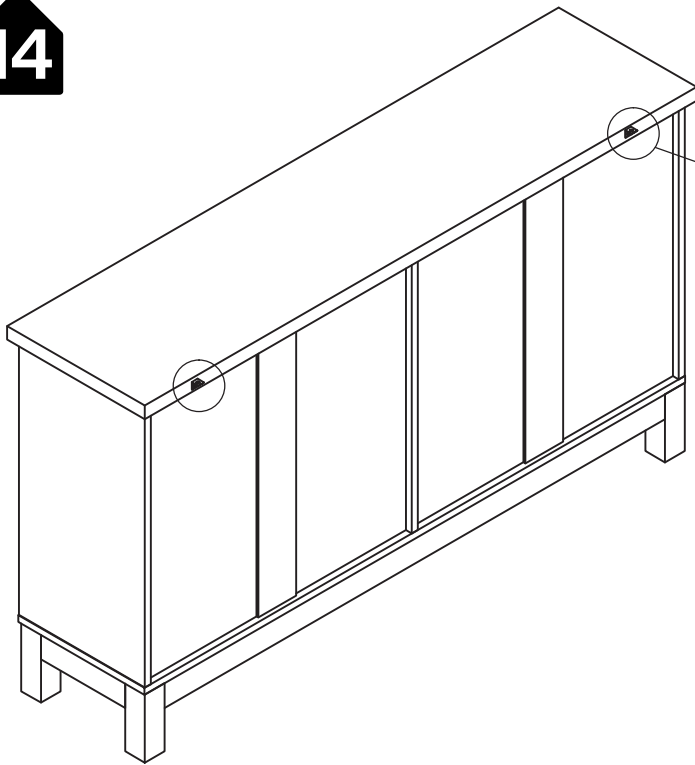
Adjustable cabinet door up and down



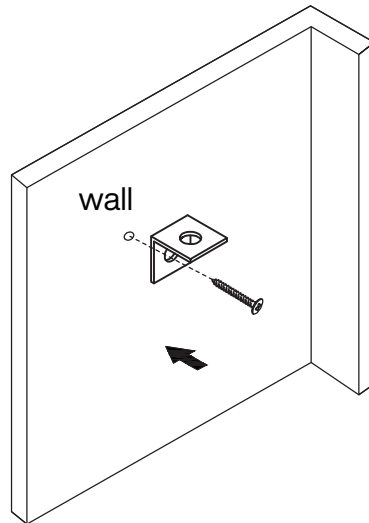
Adjustable cabinet doors front and back



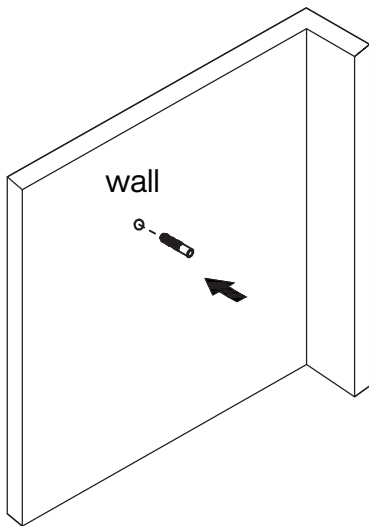
14



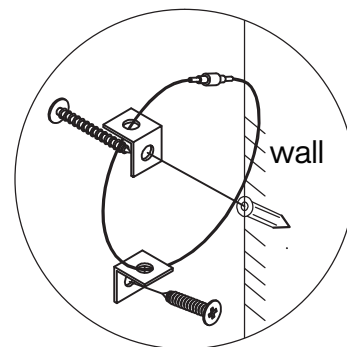
Attach one bracket (c) to the back edge of product's top using screws (a).



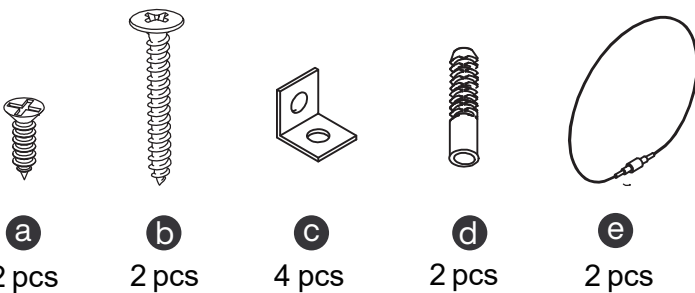
Secure another bracket (c) on the wall using screws (b).



Insert the expansion bolts (d) into the pre-drilled holes.

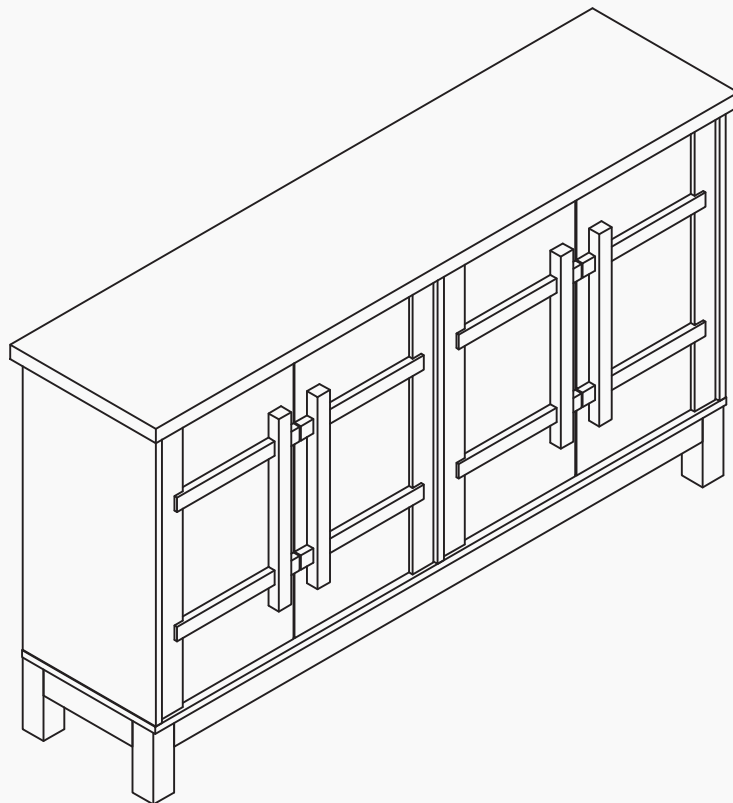


Position the furniture product close to the wall. Install the zip tie (e) through both brackets.





Thank you for your support!



Contact our customer service team



support@tribesigns.com
www.tribesigns.com



1-424-220-6888
Contact us anytime except
12:00 AM to 8:00 AM EST

Follow Tribesigns



Facebook



Instagram



Pinterest



Twitter



YouTube



TikTok



WhatsApp