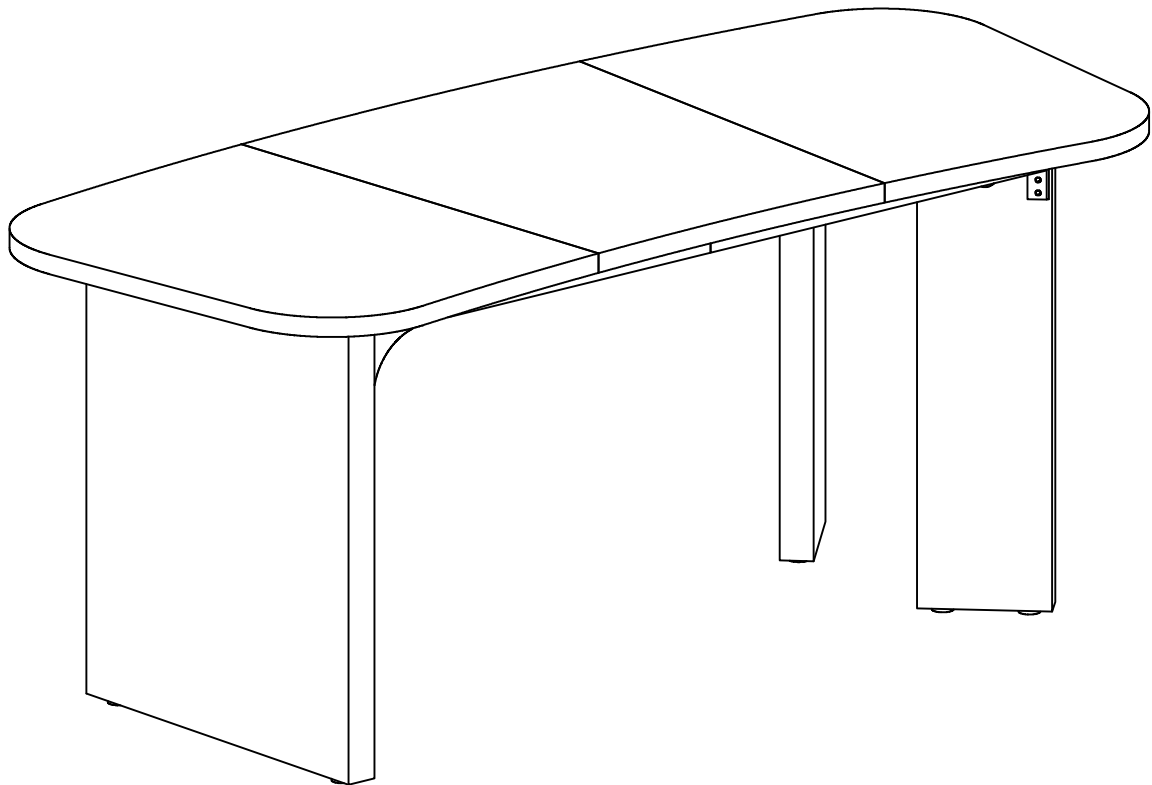


Tribesigns
LITTLE TREE
Assembly Instructions



Model No. HOGA-NY215

Office Table

Call us!

We're here to help!

If you have any issues with this product, please contact our customer service team **before returning** it.



We want you to be completely satisfied with your purchase! If anything is missing, damaged, incorrect, or not what you expected, don't worry. Please keep the outer packaging and take photos of both the packaging and products, and then reach out to us at **support@tribesigns.com** or call us at **1-424-220-6888**. We'll take care of everything and send you a free replacement, so you can enjoy your purchase as soon as possible without any hassle.

Assembly Instructions:

1. Carefully read these instructions and keep them for future reference.
2. Refer to the parts list for guidance and ensure that you have all the pieces before starting the assembly process, if anything is missing, damaged, incorrect, contact us **FIRSTLY BEFORE** assembling.
3. When assembling, place all parts on a soft, clean, and flat surface, such as a carpet, to prevent any scratches.
4. To avoid misalignment of the holes, Please don't full tighten the screws until you ensure all parts in place.

Follow Tribesign:



Facebook



Twitter



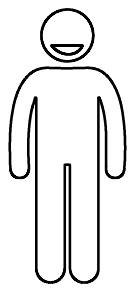
Pinterest



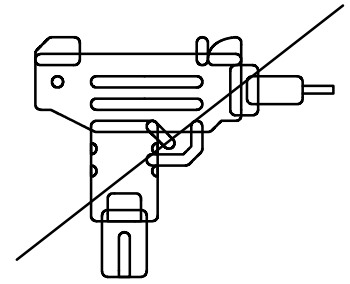
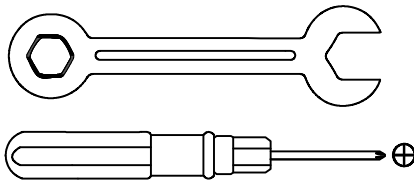
YouTube



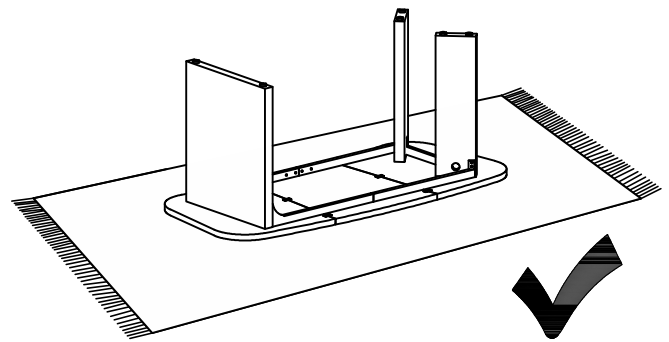
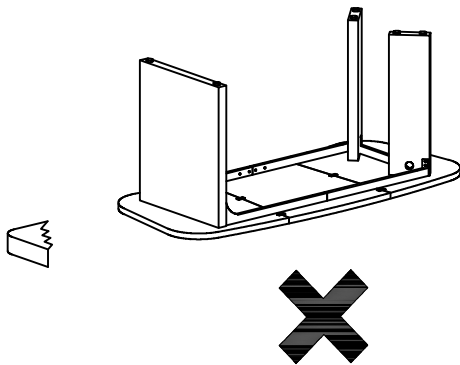
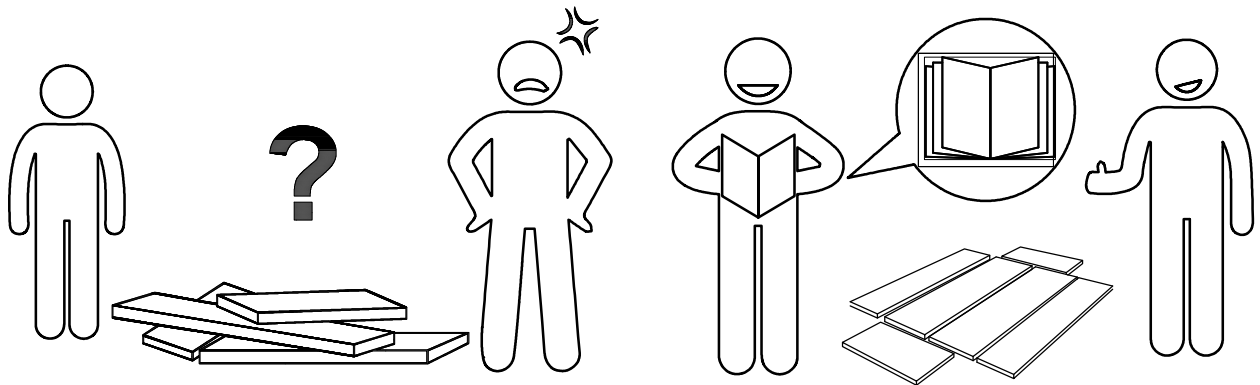
Instagram

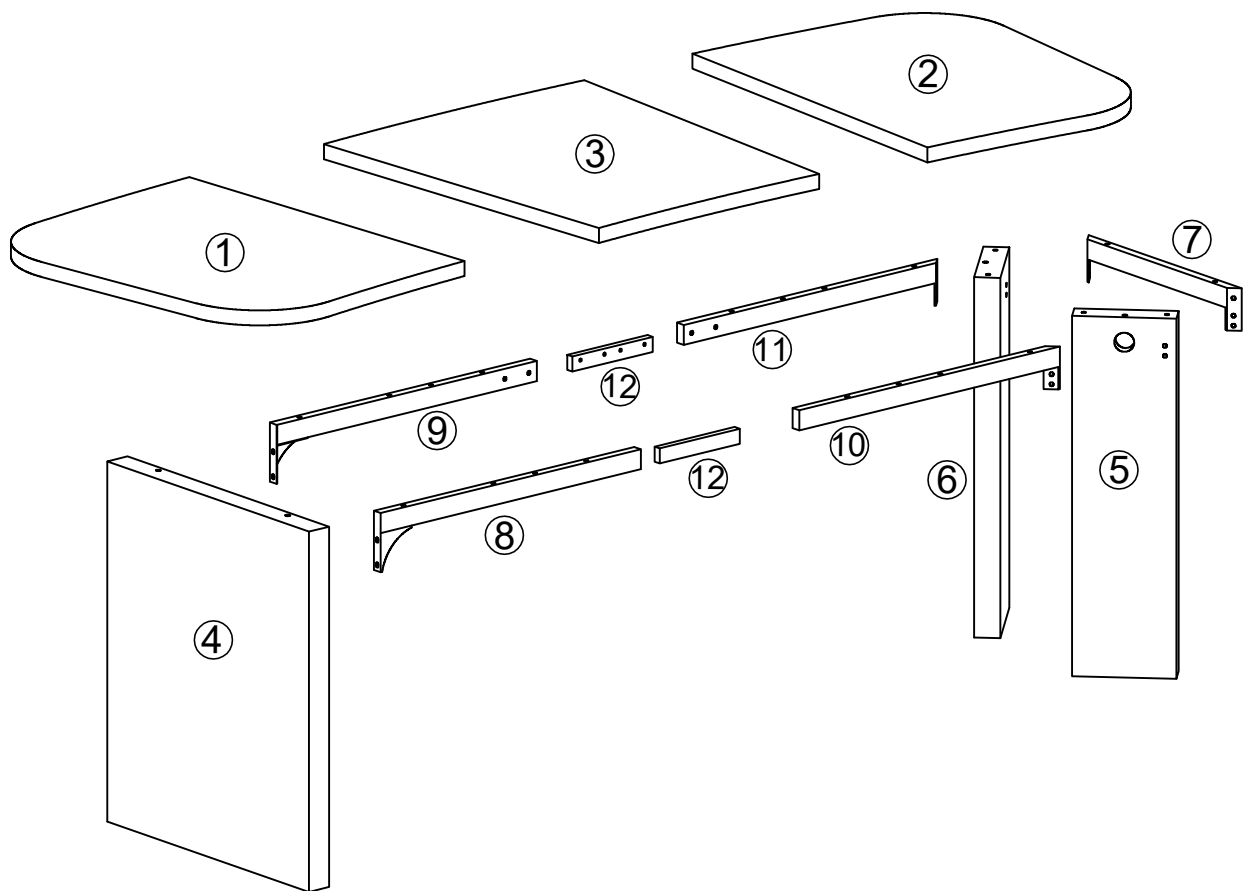


X2



When using the electric screwdriver ,
Reduce the power and torque to avoid damaging the furniture

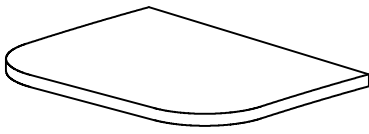




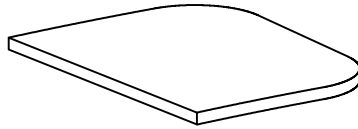
⚠ Caution

Make sure all parts are included. Most board parts are labeled or stamped on the raw edge. Contact us for free replacement if having damaged or missing parts.

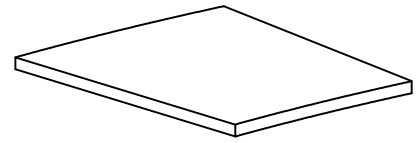
Parts & Hardware List



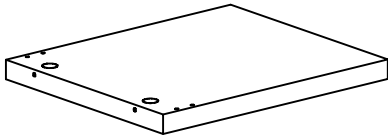
① 1pc



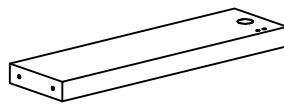
② 1pc



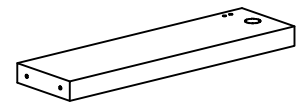
③ 1pc



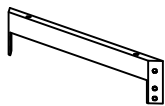
④ 1pc



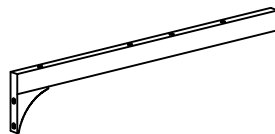
⑤ 1pc



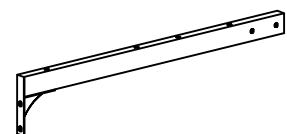
⑥ 1pc



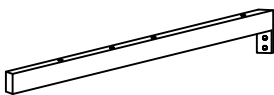
⑦ 1pc



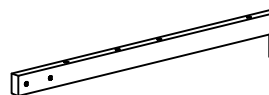
⑧ 1pc



⑨ 1pc



⑩ 1pc

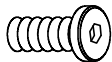
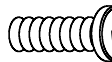
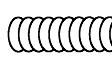




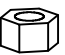
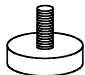
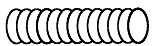



⑪ 1pc




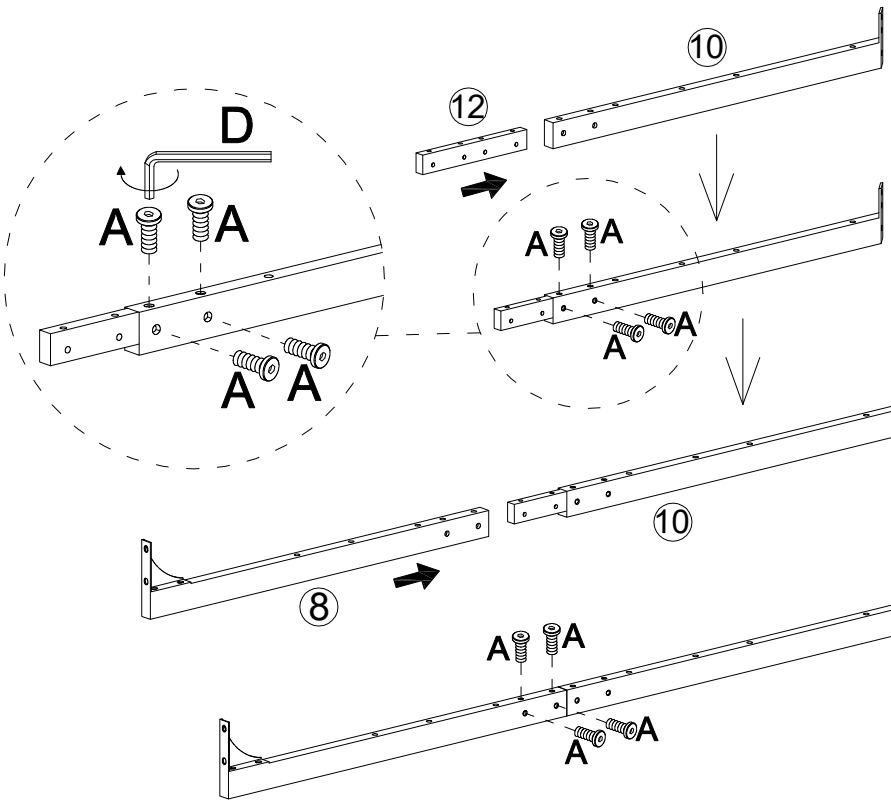
⑫ 2pcs

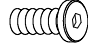

Hardware List

A	X16+1	B	X24+1	C	X18+1	D	X1	E	X4+1	F	X1
											
M6X12mm		M6X18mm		M6X55mm		M4X55mm		Ø8X30mm			
G	X4	H	X4	I	X6	J	X4	K	X6		
											
30X14X9mm		M8X14mm		M6XØ30mm		M8X70mm		40X20mm			


1

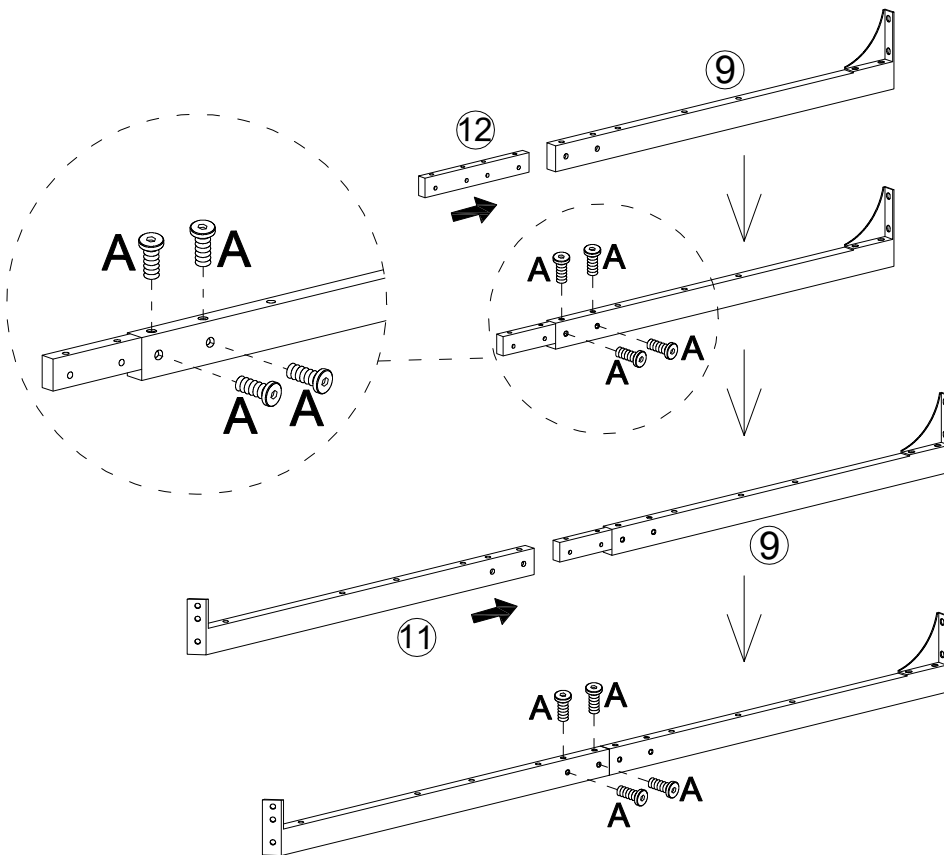
screw down 




A	X8	D	X1
			
M6X12mm		M4X55mm	

2

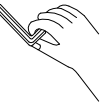
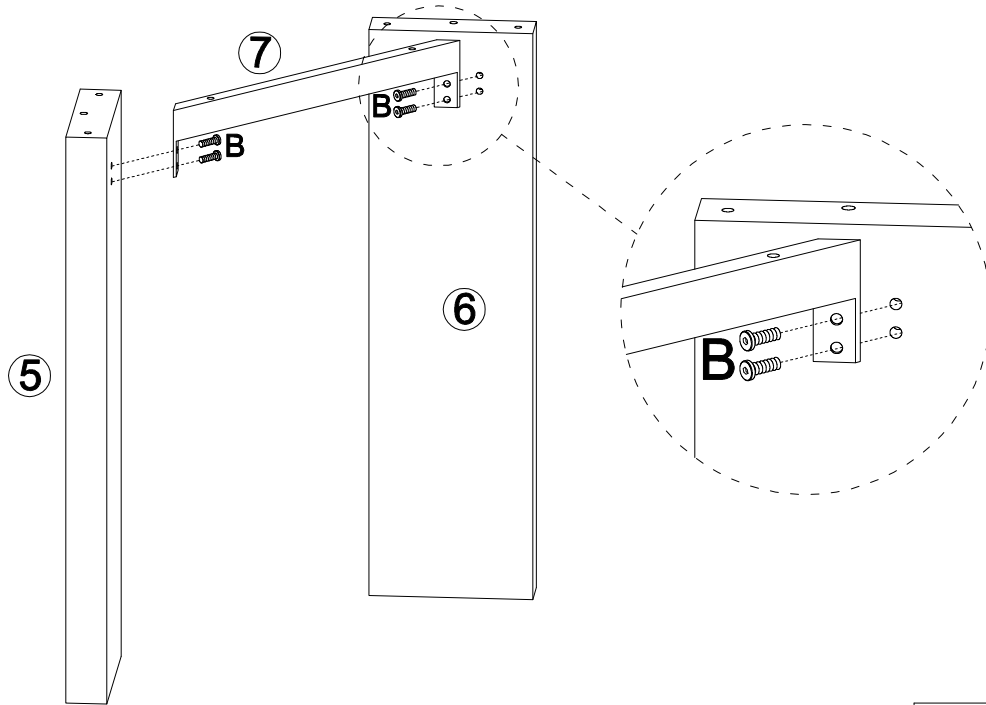
screw down 



A	X8
	
M6X12mm	

3

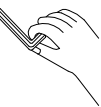
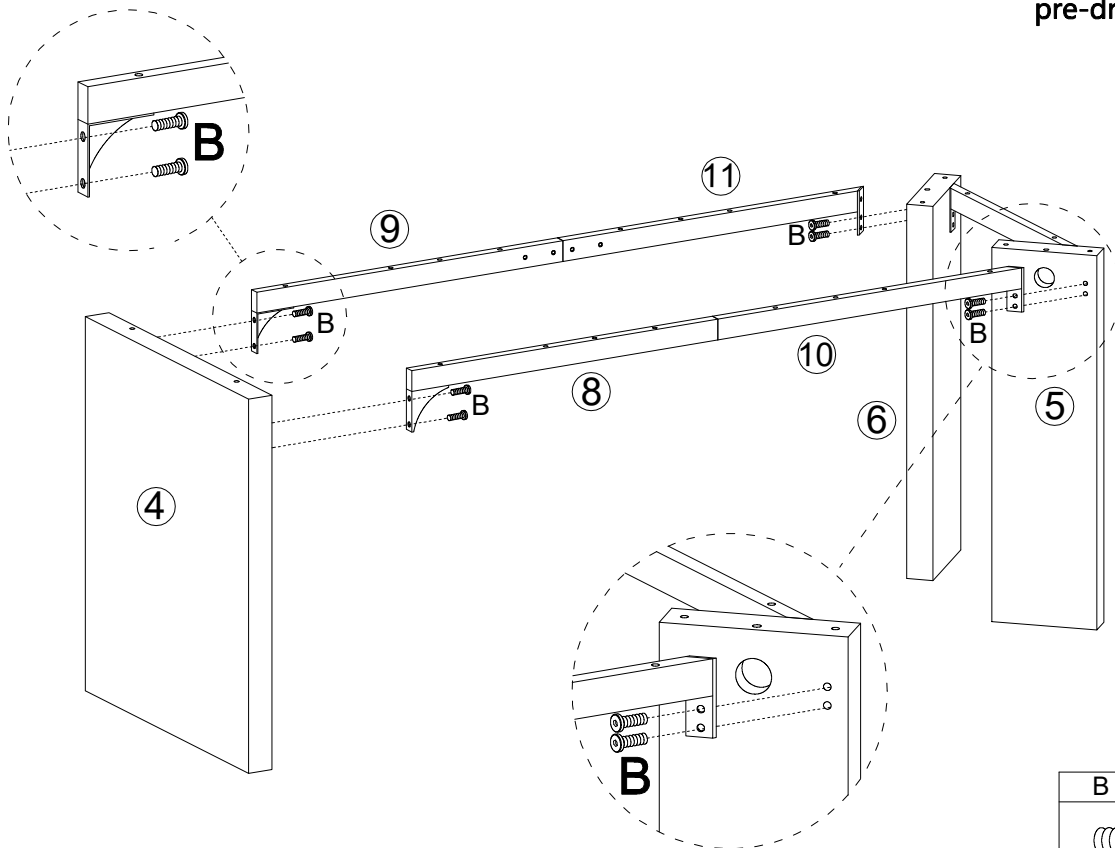
pre-drill 70%



B	X4
M6X18mm	

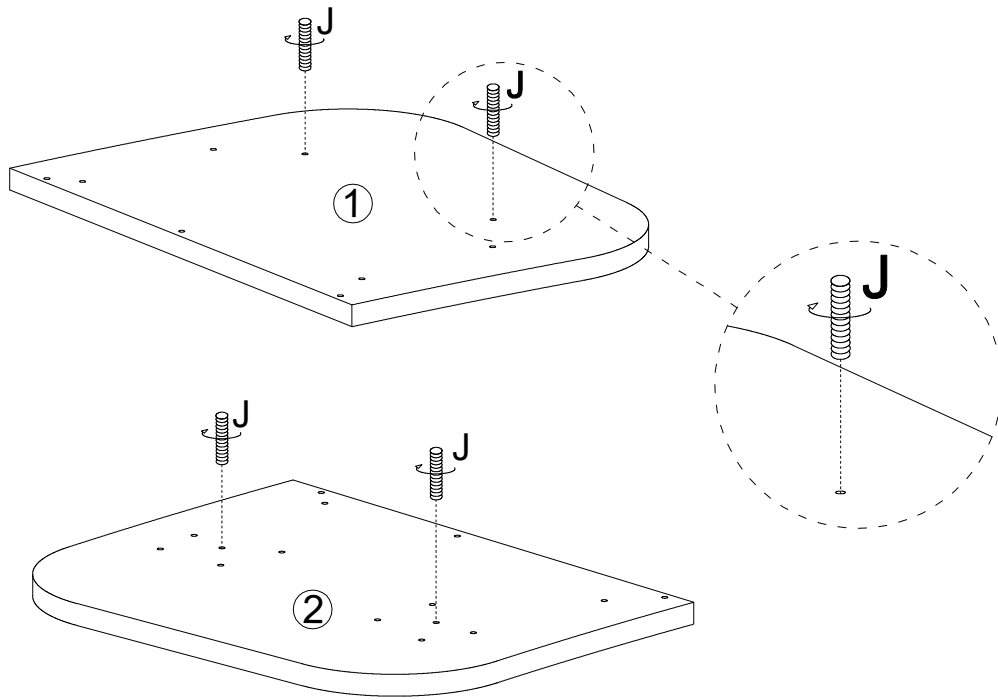
4

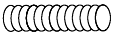
pre-drill 70%



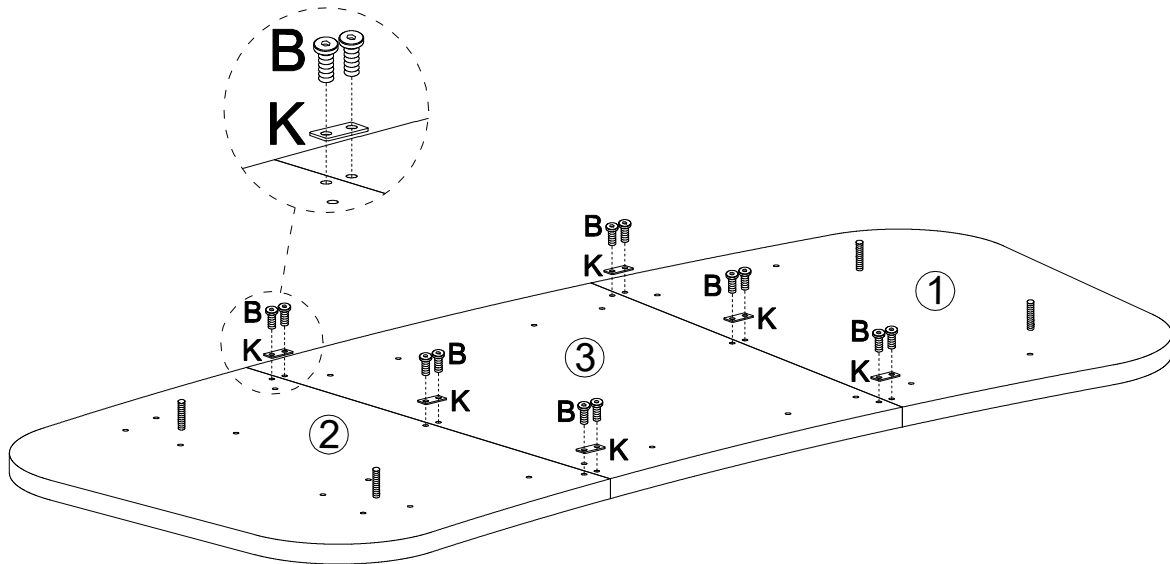
B	X8
M6X18mm	

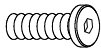

5




J	X4
	
M8X70mm	

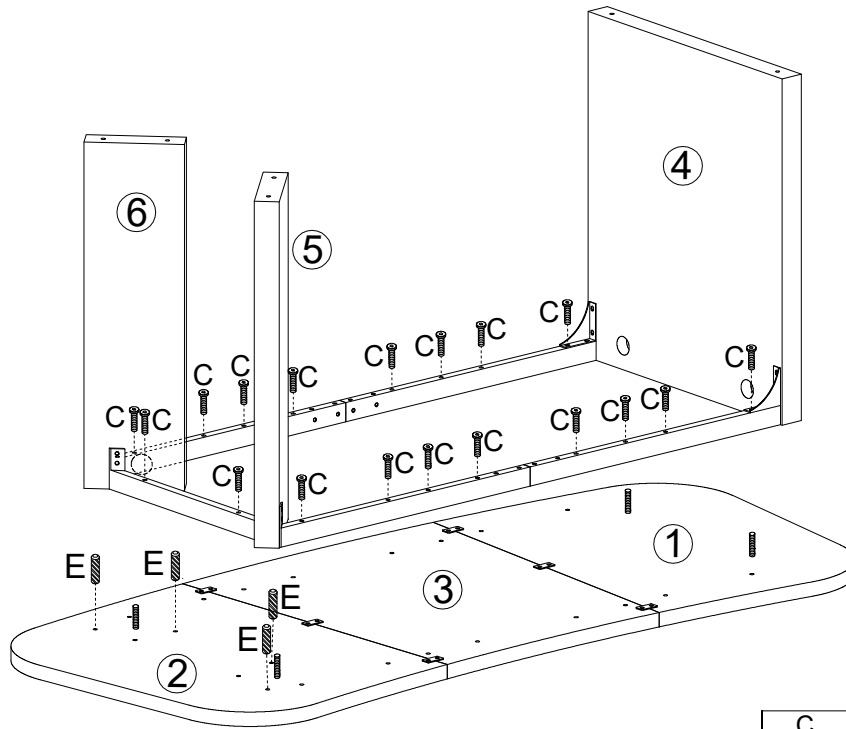
6

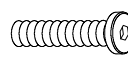



B	X12	K	X6
			
M6X18mm		40X20mm	

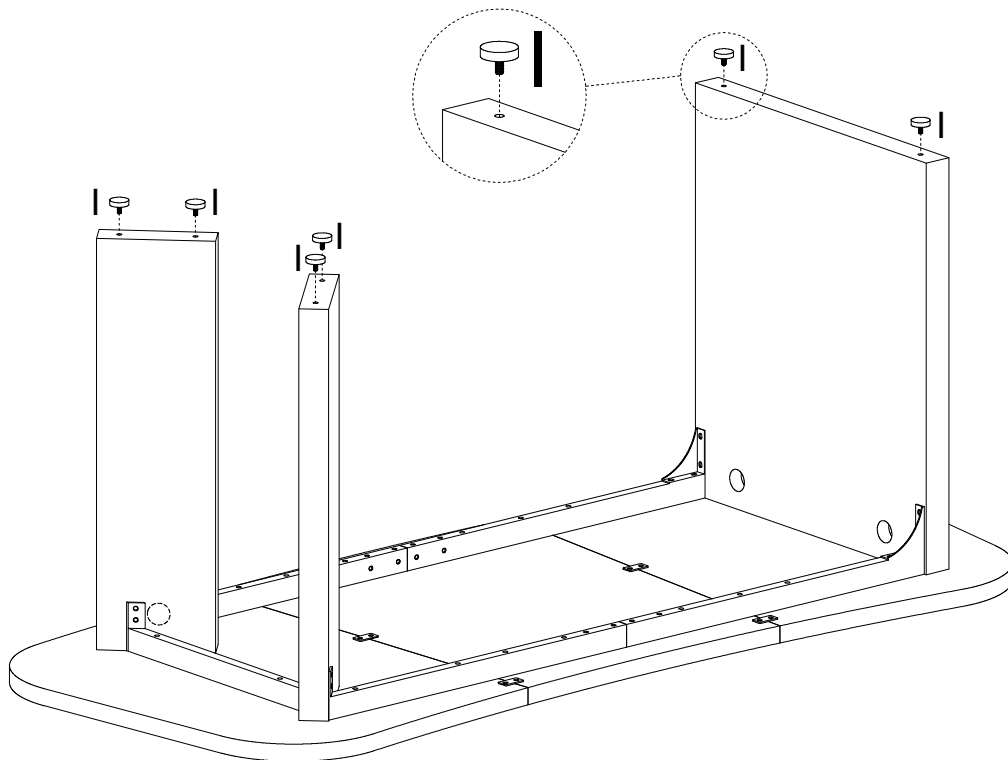
7

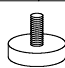
screw down 



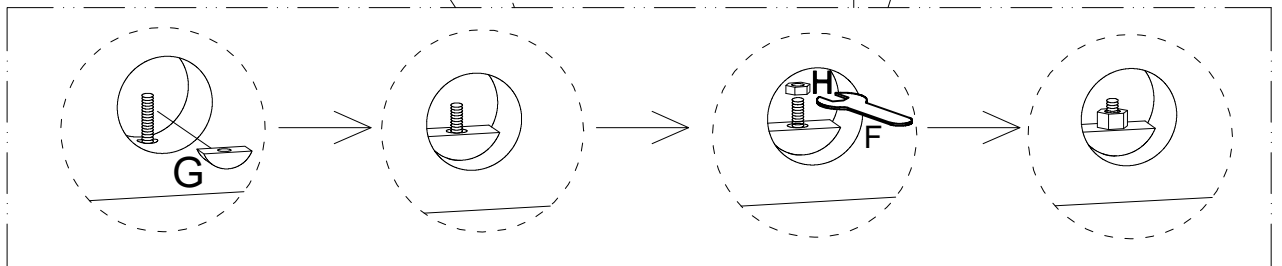
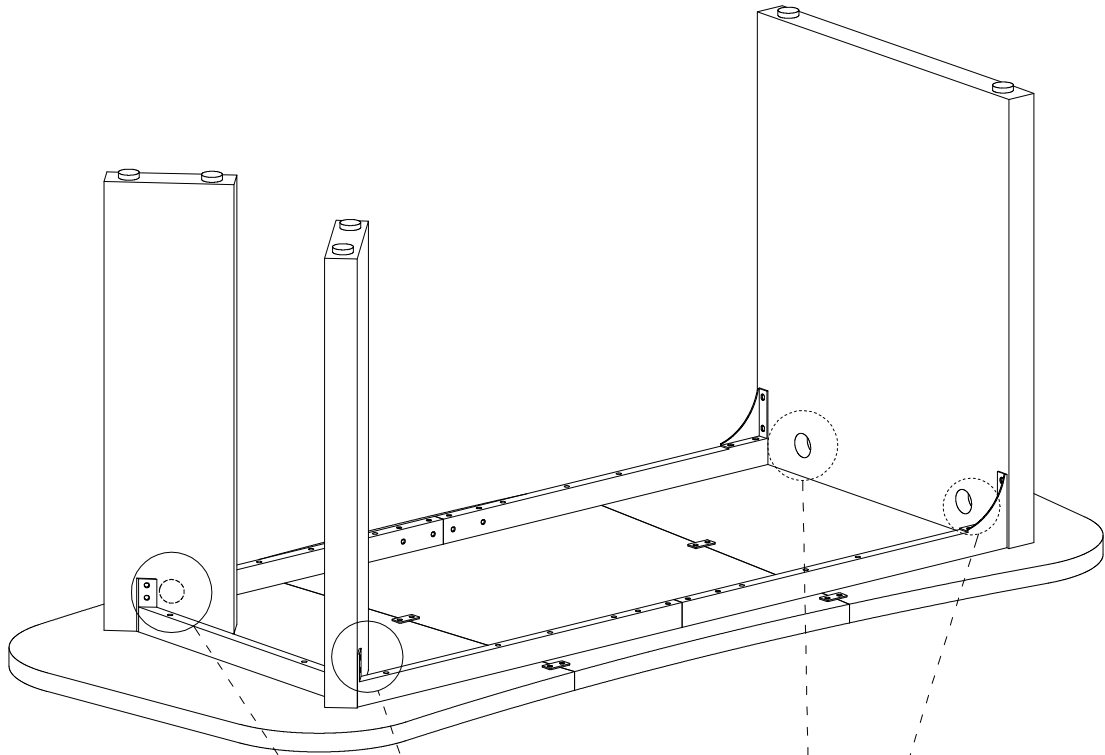
C	X18	E	X4
			
M6X55mm		Ø8X30mm	




8

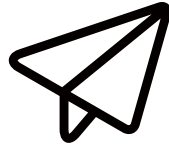


I	X6
	
M6XØ30mm	

9



F	X1	G	X4	H	X4
					
		30X14X9mm		M8X14mm	



No heartburn, when we handle the return


Our way


 support@tribesigns.com

 Replacement/Refund

 You

Their way

 Re-package item

 Schedule pick-up

 Track package

 Replacement

 You

Contact our customer service team



support@tribesigns.com
www.tribesigns.com



1-424-220-6888