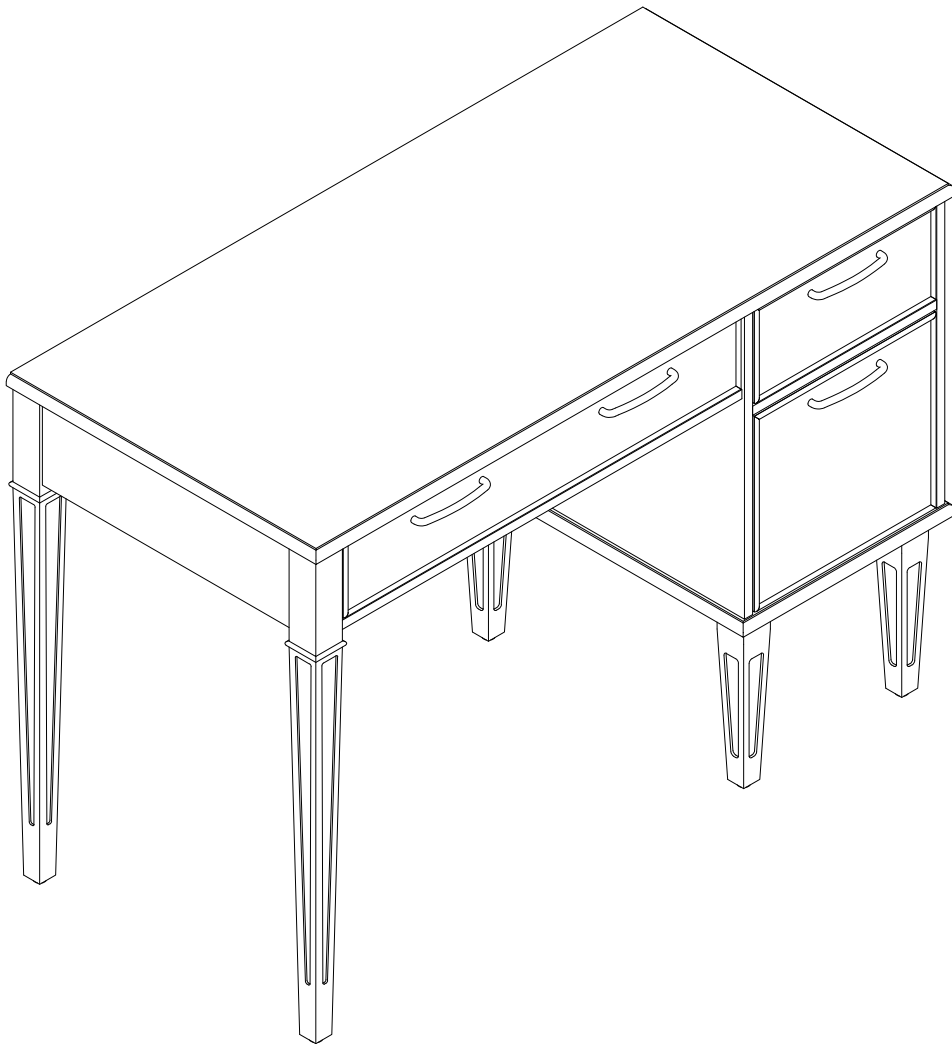


Tribesigns
LITTLE TREE
Assembly Instructions



Model No. HOGA-F2031

Computer Table

Call us!

We're here to help!

If you have any issues with this product, please contact our customer service team **before returning** it.



We want you to be completely satisfied with your purchase! If anything is missing, damaged, incorrect, or not what you expected, don't worry. Please keep the outer packaging and take photos of both the packaging and products, and then reach out to us at **support@tribesigns.com** or call us at **1-424-220-6888**. We'll take care of everything and send you a free replacement, so you can enjoy your purchase as soon as possible without any hassle.

Assembly Instructions:

1. Carefully read these instructions and keep them for future reference.
2. Refer to the parts list for guidance and ensure that you have all the pieces before starting the assembly process, if anything is missing, damaged, incorrect, contact us **FIRSTLY BEFORE** assembling.
3. When assembling, place all parts on a soft, clean, and flat surface, such as a carpet, to prevent any scratches.
4. To avoid misalignment of the holes, Please don't full tighten the screws until you ensure all parts in place.

Follow Tribesign:



Facebook



Twitter



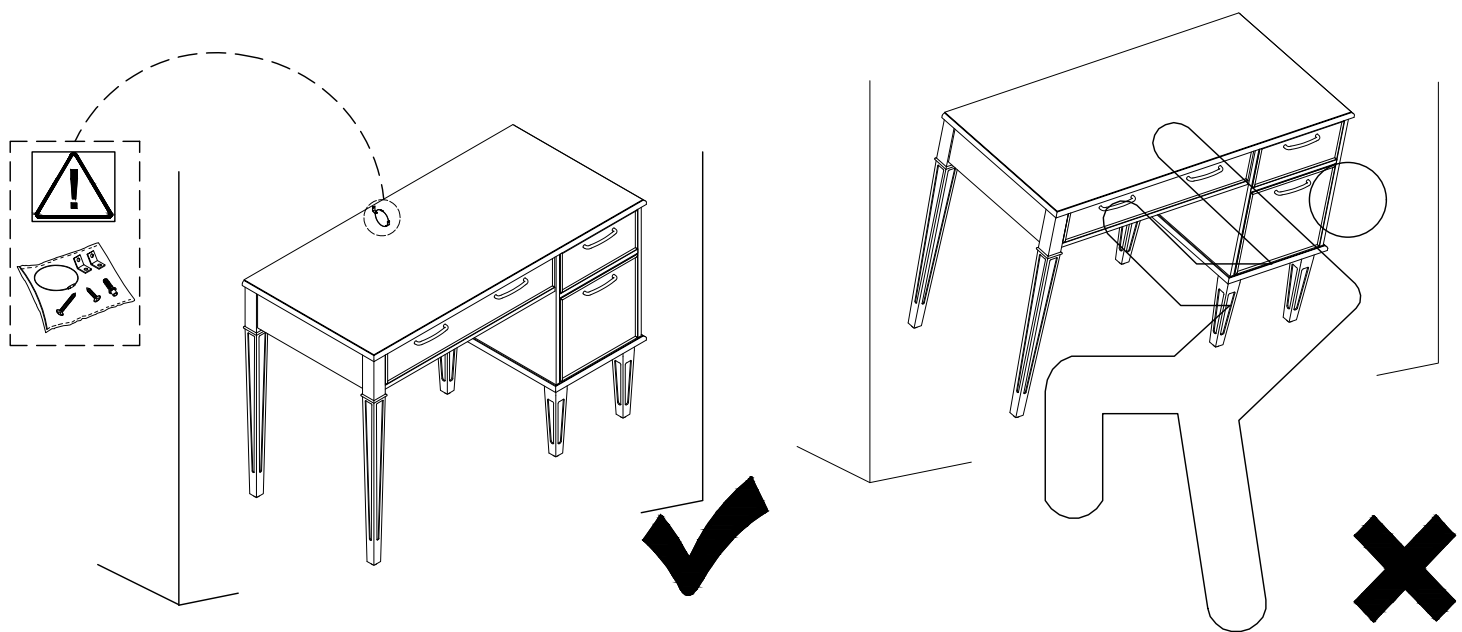
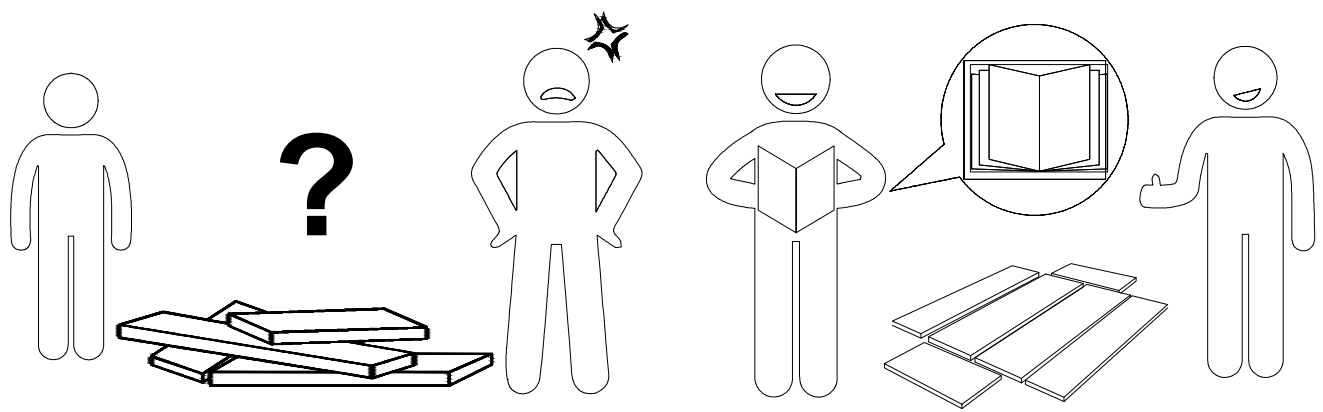
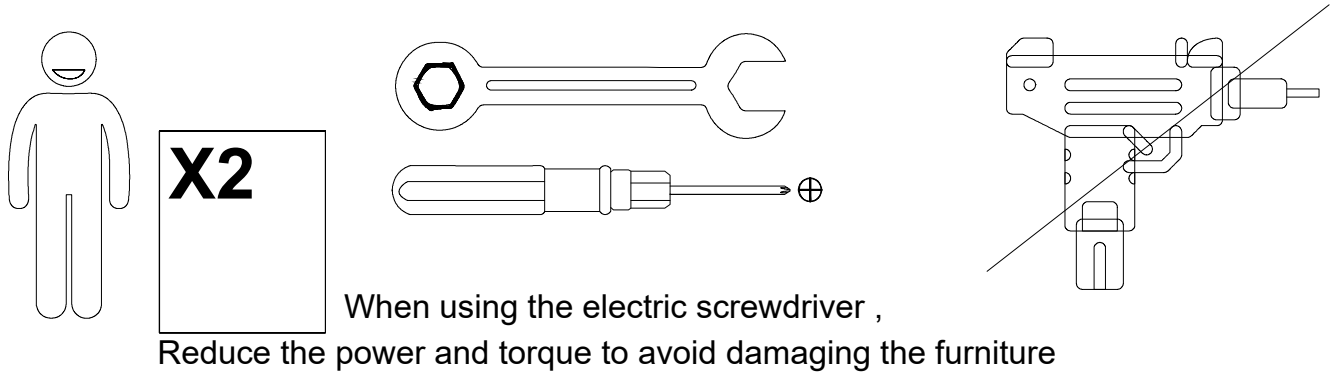
Pinterest



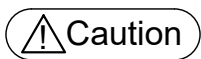
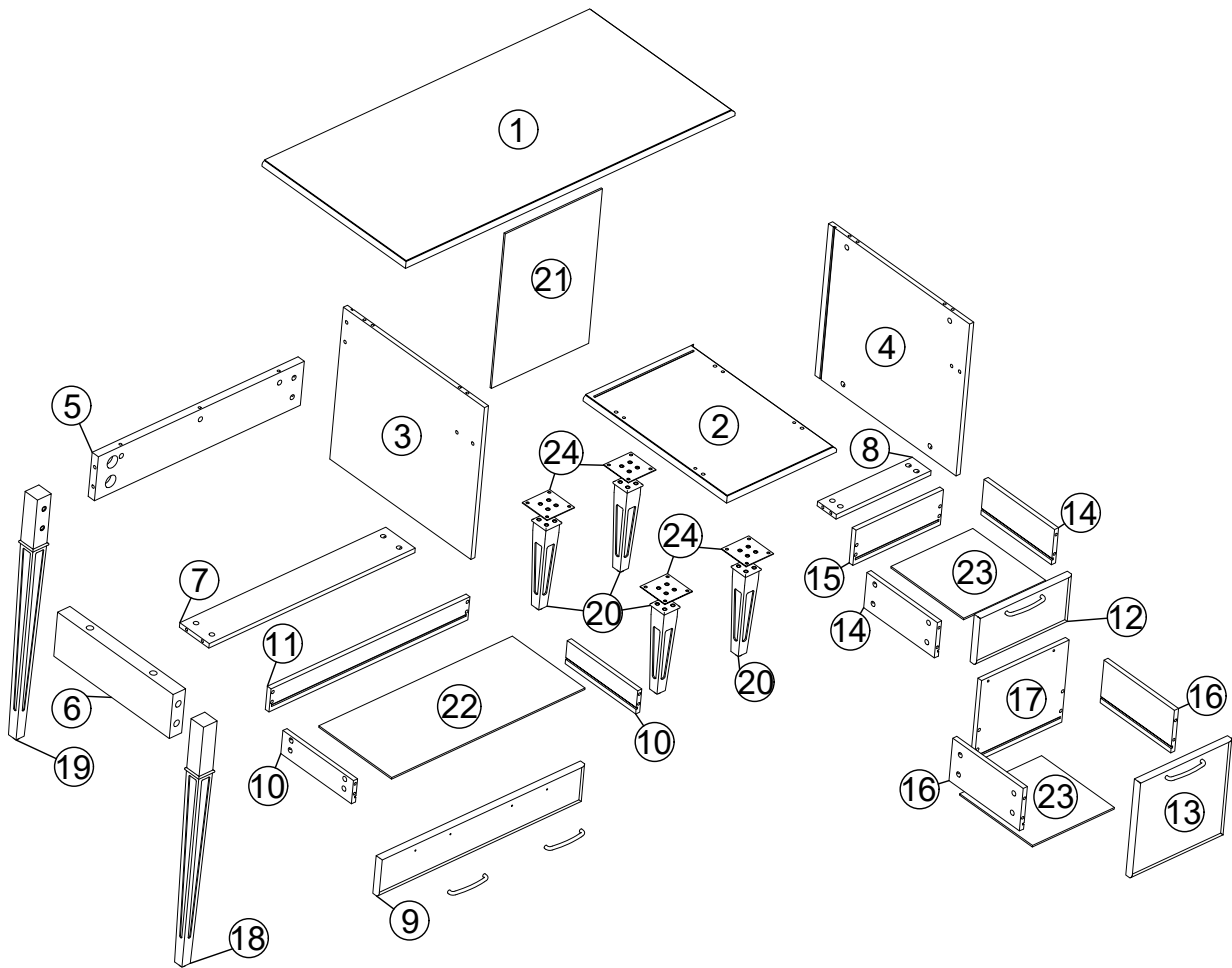
YouTube



Instagram

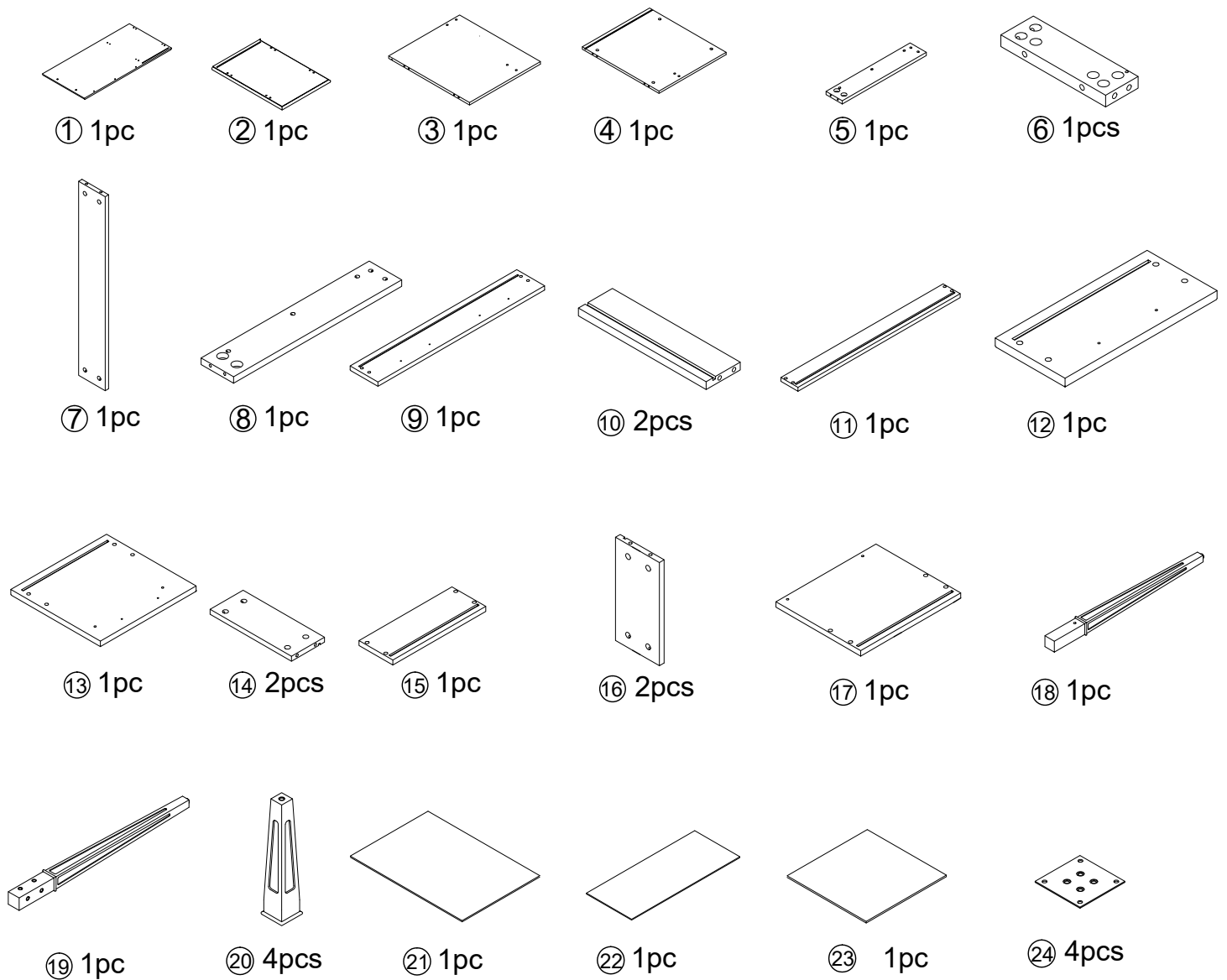


(Install tip-over restraint provided)
Use of tip-over restraints may only reduce but not eliminate,
the risk of tip-over.

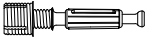

















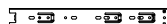


Make sure all parts are included. Most board parts are labeled or stamped on the raw edge. Contact us for free replacement if having damaged or missing parts.

Parts & Hardware List

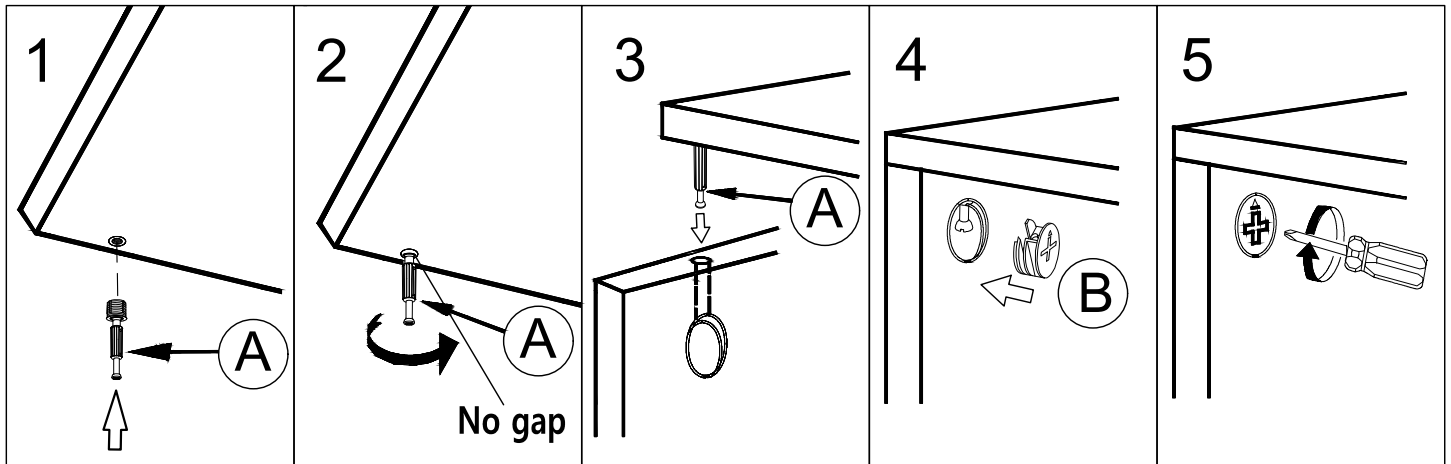
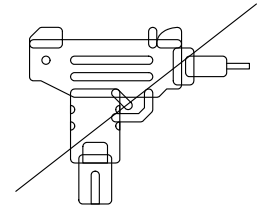


Hardware List

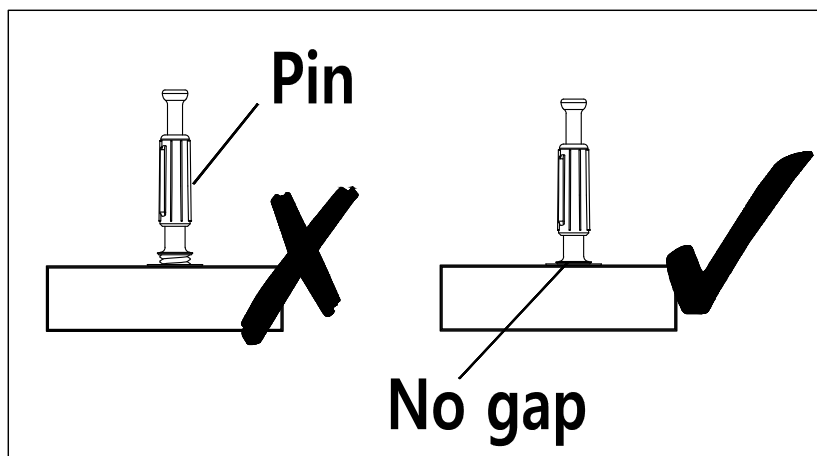
A	X45+1	B	X45+1	C	X8+1	D	X42+1	E	X8+1	F	X8+1	G	X8+1	H	X16+1
															
Ø6X40mm	Ø15X12mm	Ø8X30mm	3.5X14mm	Ø8x10	M6X30mm	M8X70mm	Ø10x1.5mm								
I	X6+1	J	X6+1	K	X1	L	X1	M	X8+1	N	X16+1	O	X16+1	P	X4
															
17x16x10.5	M6XØ23mm	M4X20mm	M4X55mm	M4x20mm	M6X15mm	M6X15mm	128mm								
Q	X1	R	X2	S	X3	T	X1	U	X2						
															
17x16x10.5	5X305mm	290mm													

Installation of Cams and Pins

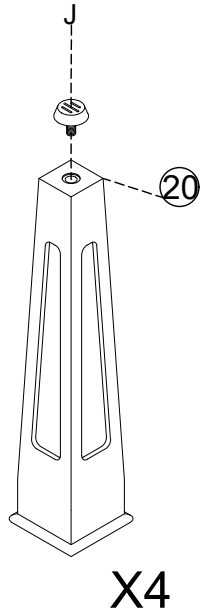
Screw the pin into the hole. To set the cams correctly, ensure that the arrow on the cam is opening to the hole of the pin it is locking. Lock the cam by turning the cam head with a screwdriver until it is tightened. Please do not use an electric screwdriver to assemble the unit.



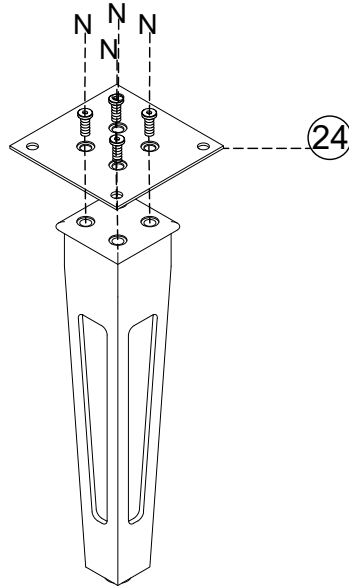
Read each step carefully before starting. It is very important that each step of instruction is performed in the correct order. If these steps are not followed in sequence, assembly difficulties will occur.



1

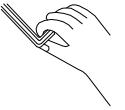


X4

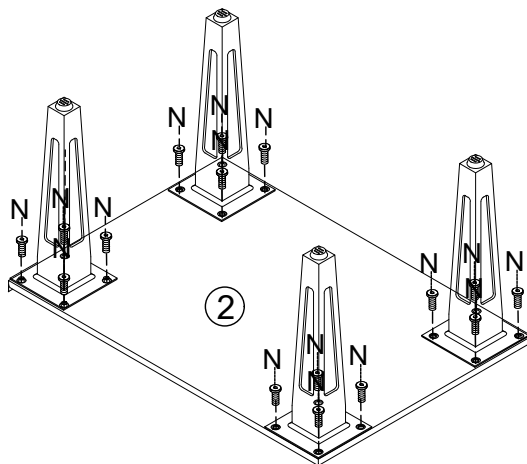


X4

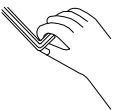
screw down

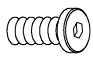
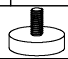



2



screw down

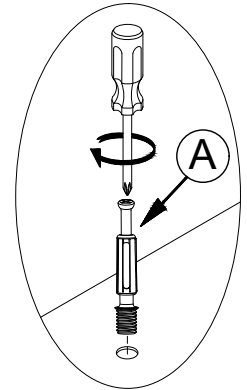
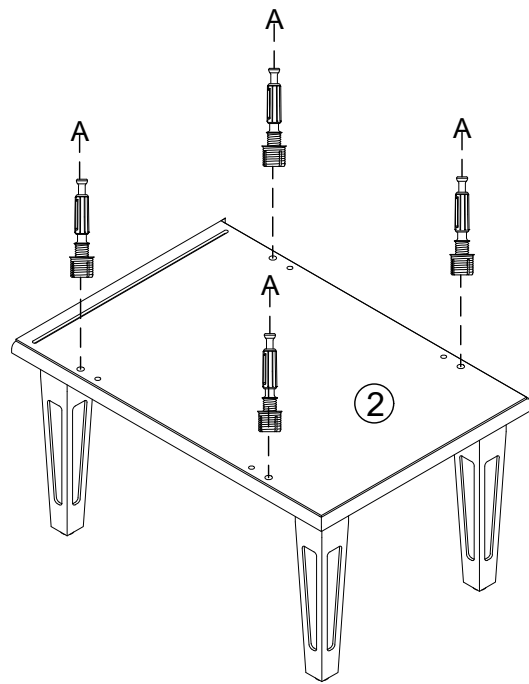


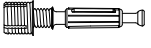
N	X16	J	X4
			
M6X15mm		M6XØ23mm	

N	X16
	
M6X15mm	

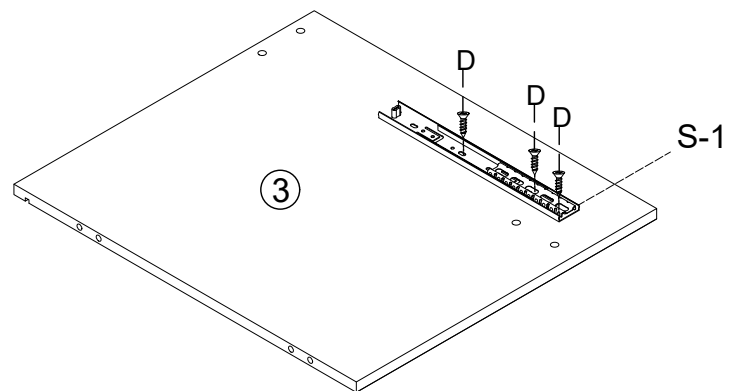
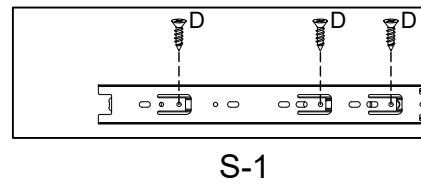
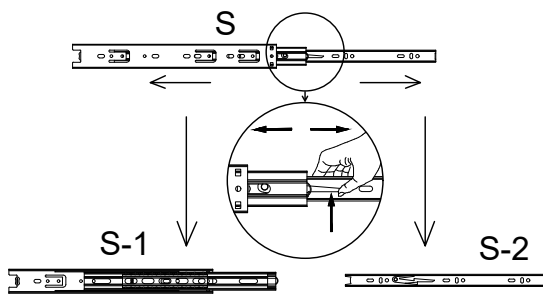
3

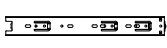
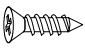
screw down 



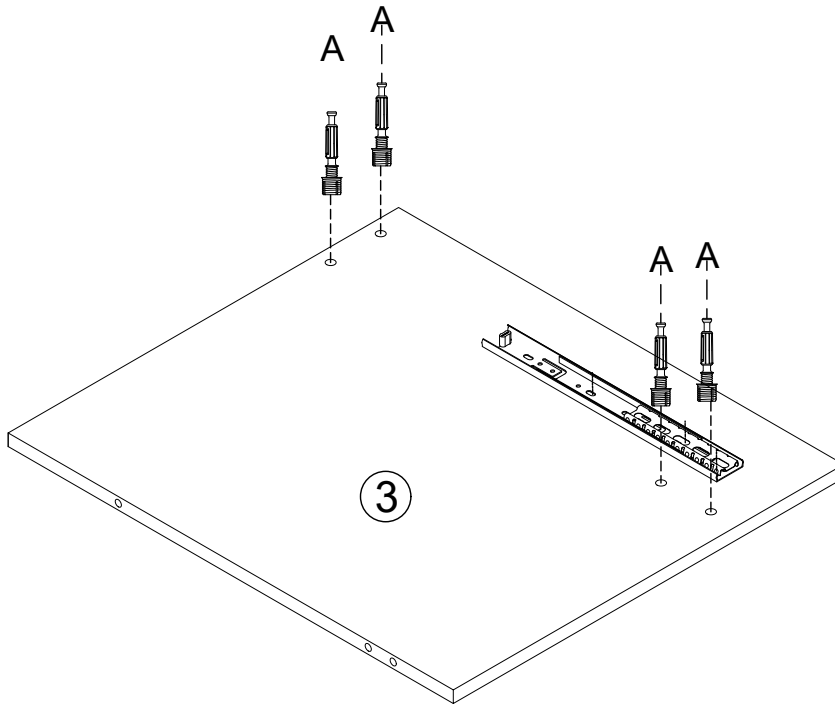
A	X4
	
Ø6X40mm	

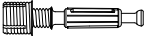
4



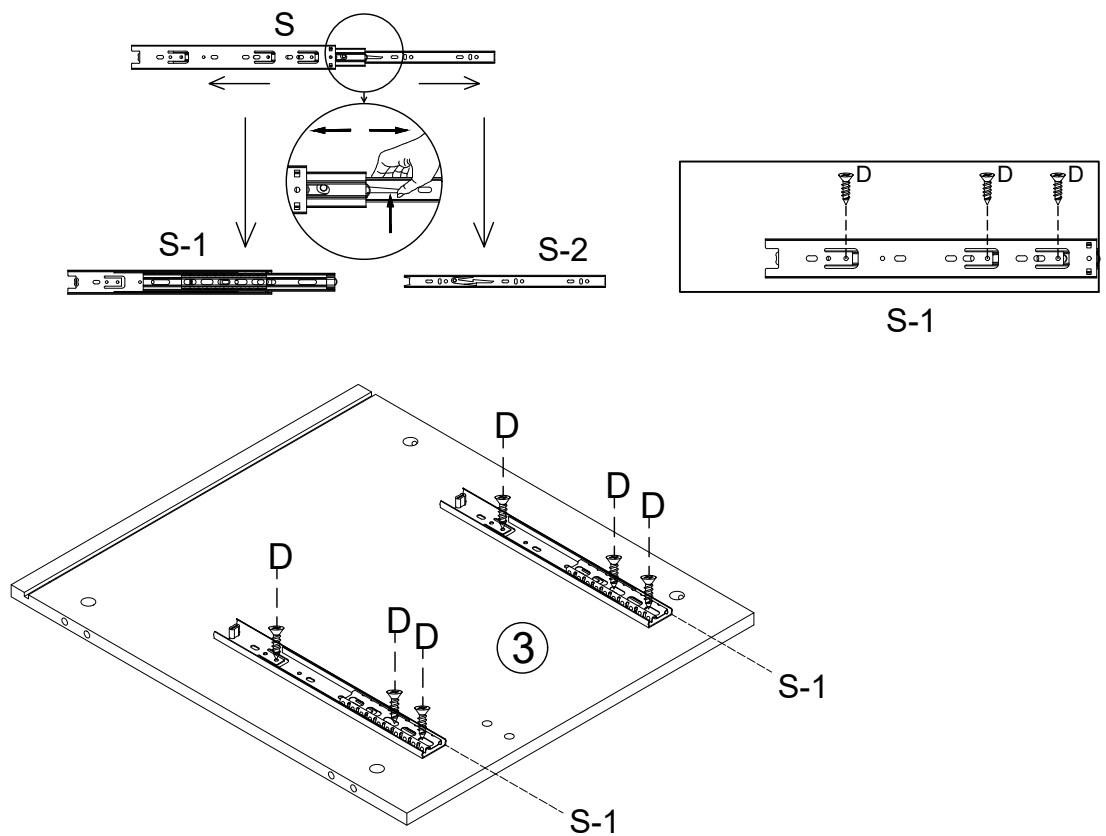
S	X1	D	X3
			
290mm		3.5X14mm	

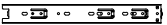

5



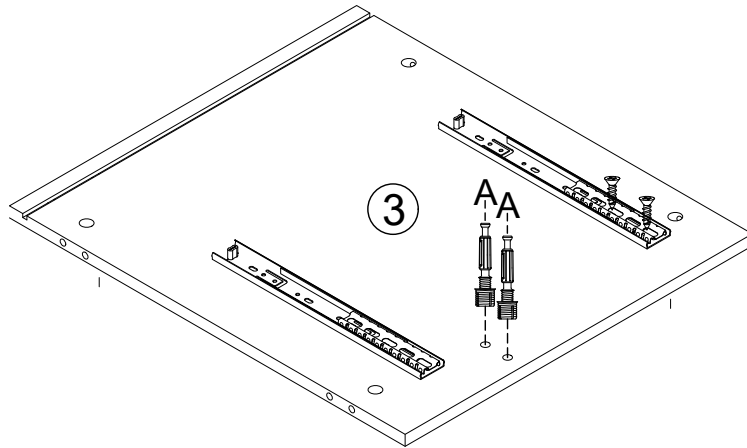
A	X4
	
Ø6X40mm	

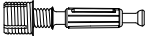
6



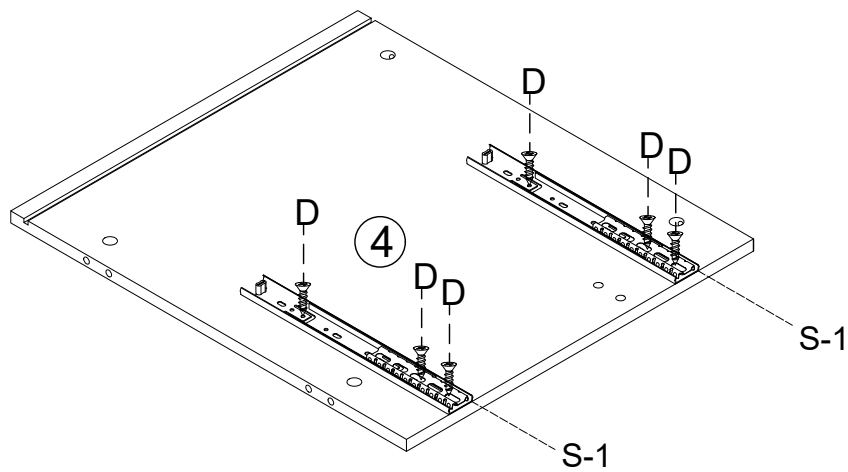
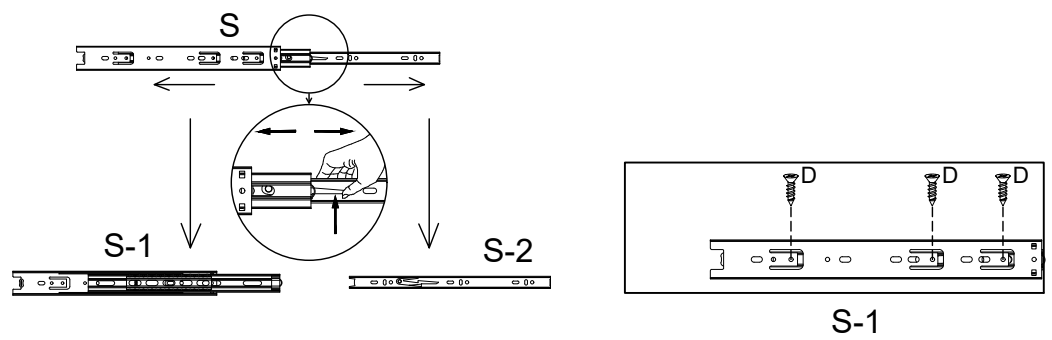
S	X2	D	X6
			
290mm		3.5X14mm	

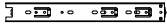

7



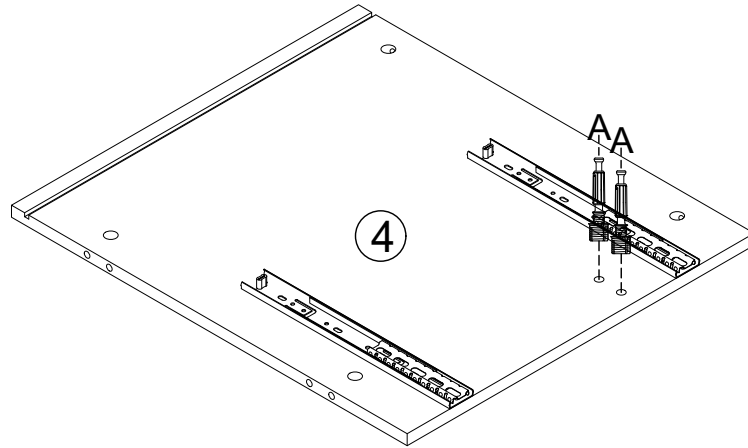
A	X2
	
Ø6X40mm	

8

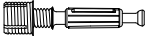


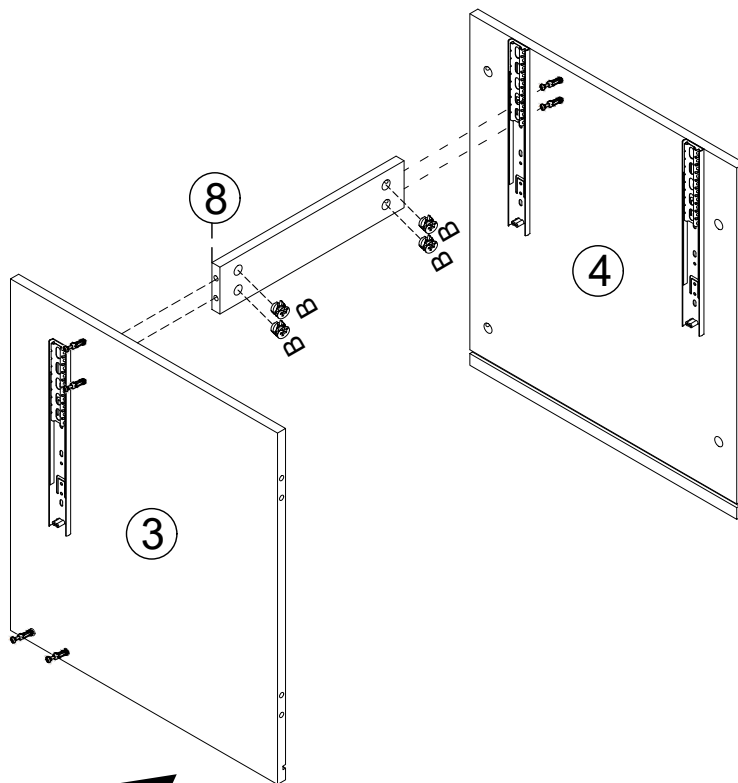
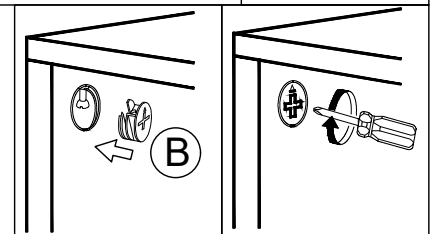
S	X2	D	X6
			
290mm		3.5X14mm	


9



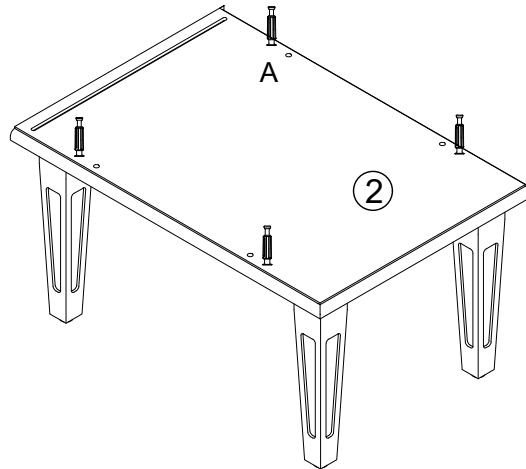
10

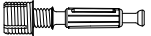
A	X2
	
Ø6X40mm	



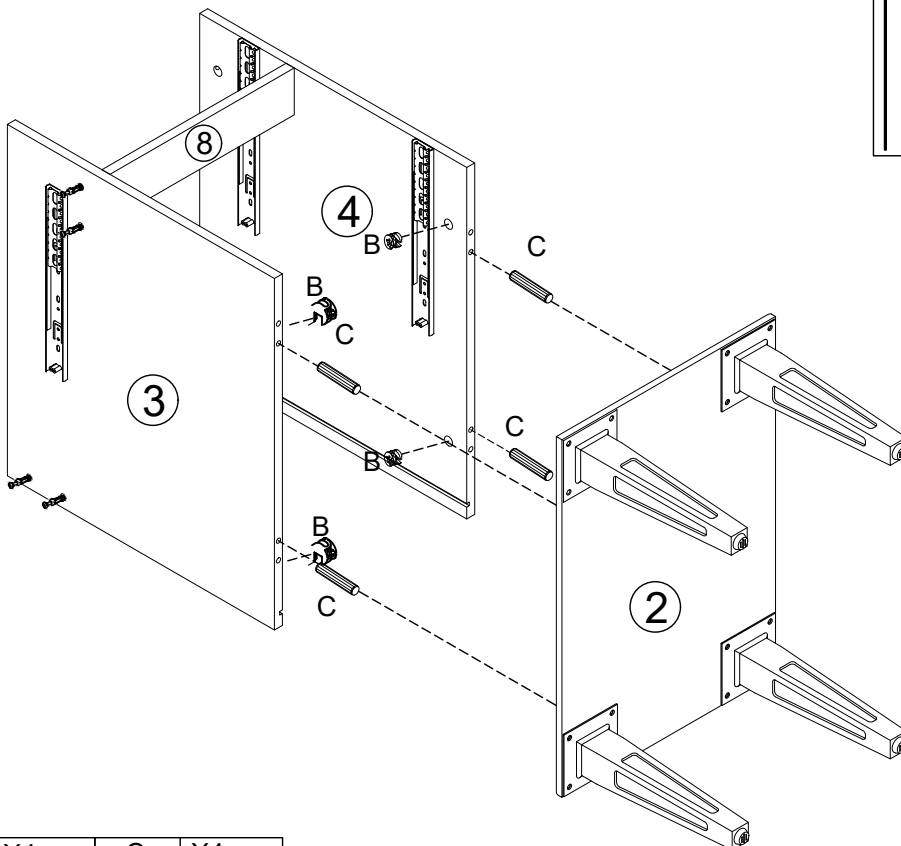
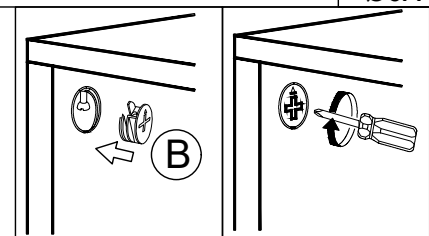
B	X4
	
Ø15X12mm	



11



A	X4
	
Ø6X40mm	

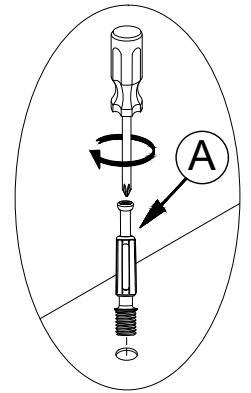
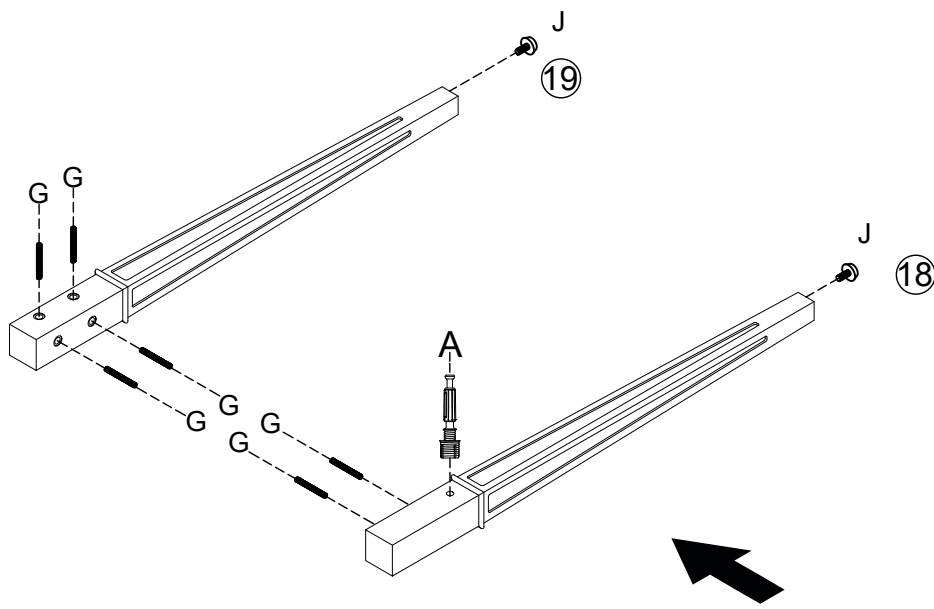
12



B	X4	C	X4
			
Ø15X12mm		Ø8X30mm	

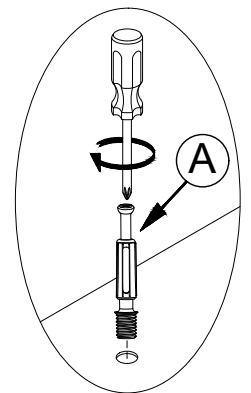
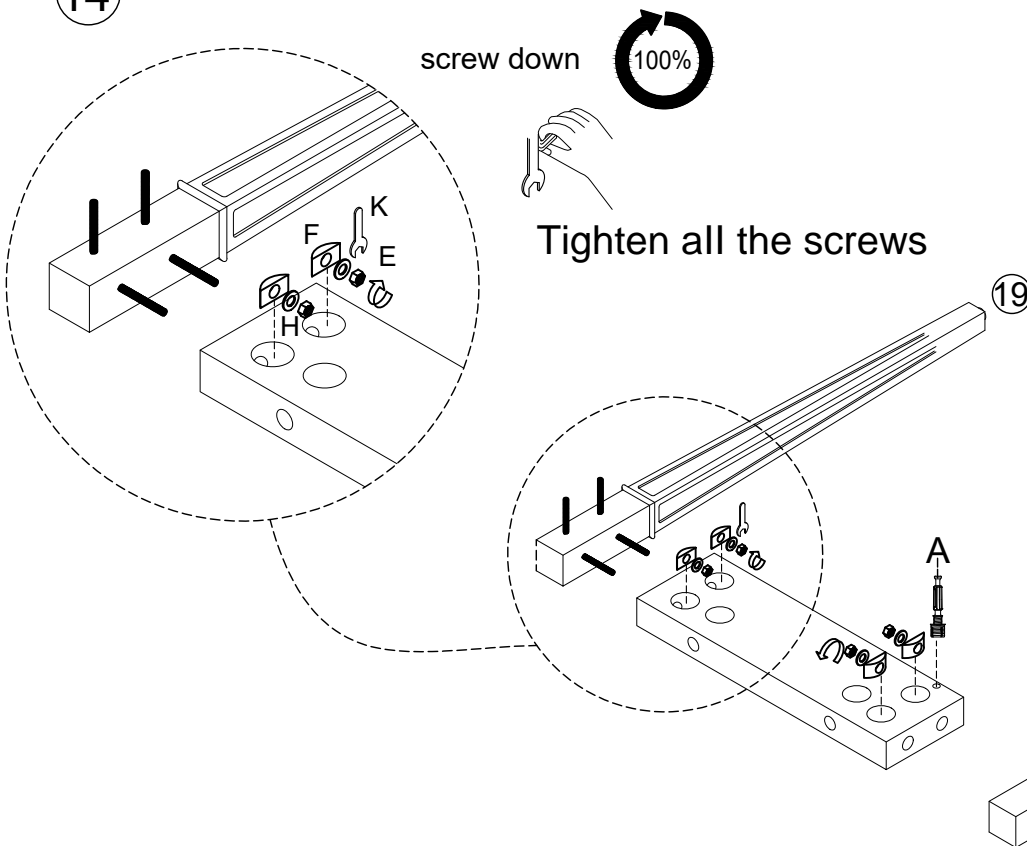


13



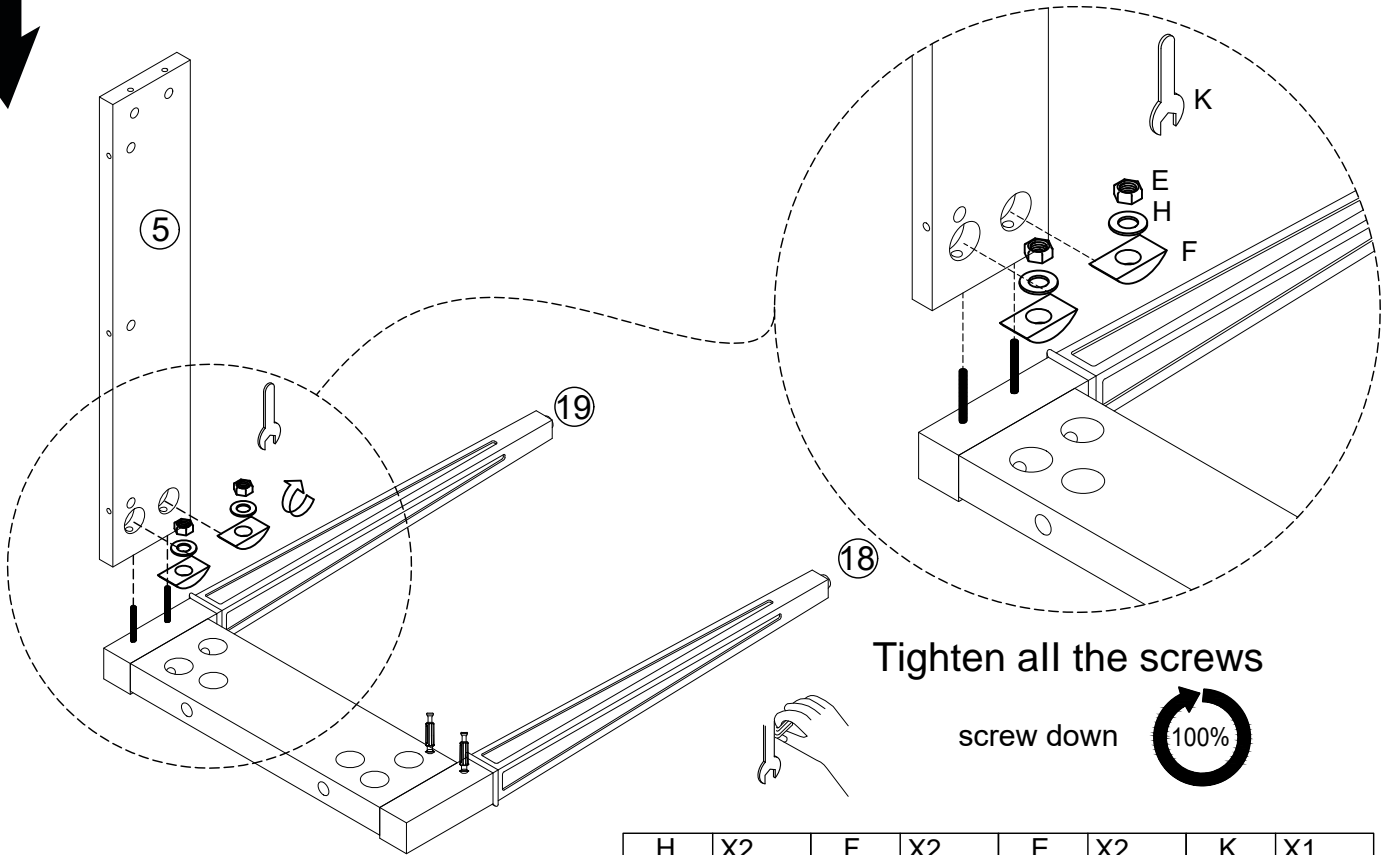
J	X2	A	X1	G	X6
M6XØ23mm		Ø6X40mm		Ø8X70mm	

14

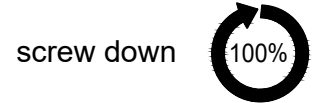


A	X1	H	X4	F	X4	E	X4	K	X1
Ø6X40mm		Ø10X1.5mm		Ø8X30mm		Ø8X10mm			

15



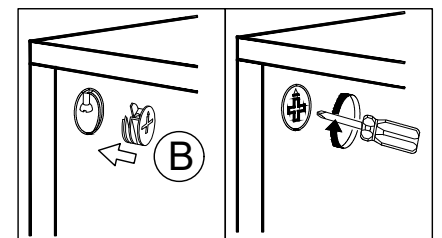
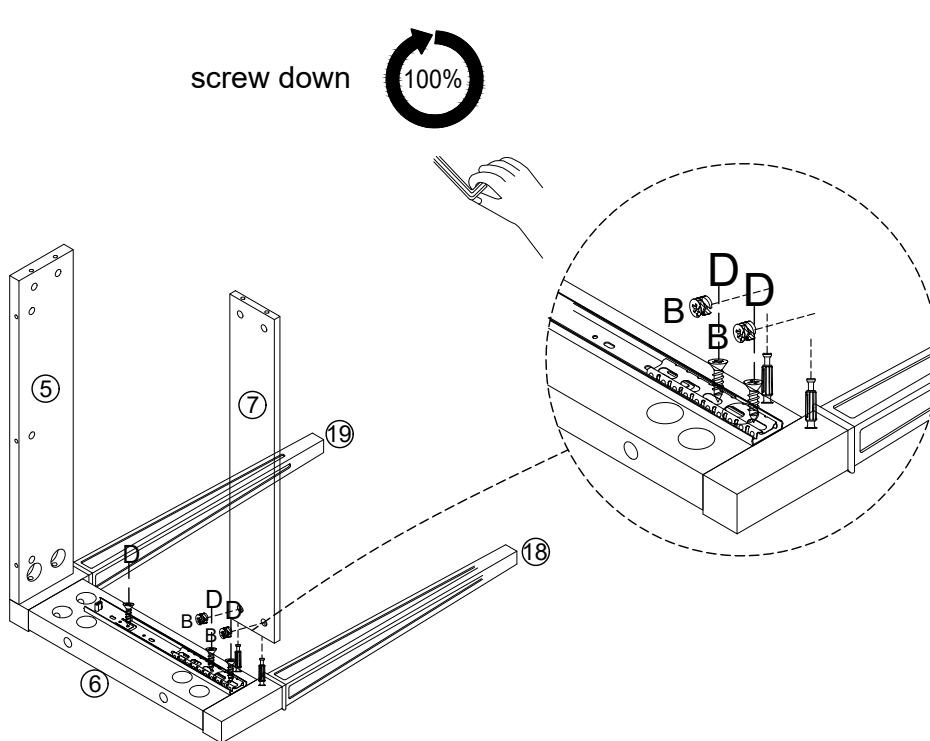
Tighten all the screws



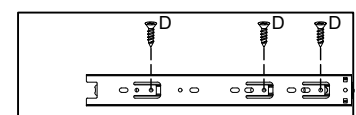
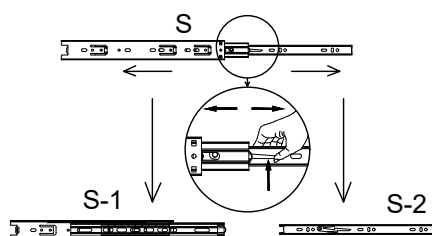
H	X2	F	X2	E	X2	K	X1
Ø10X1.5mm		Ø8X30mm		Ø8X10mm			

16

screw down

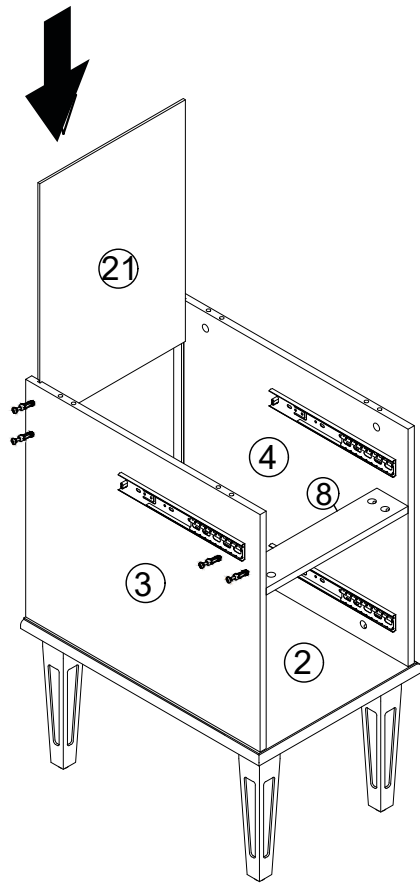


B	X2	S	X1	D	X3
Ø15X12mm		290mm		3.5X14mm	

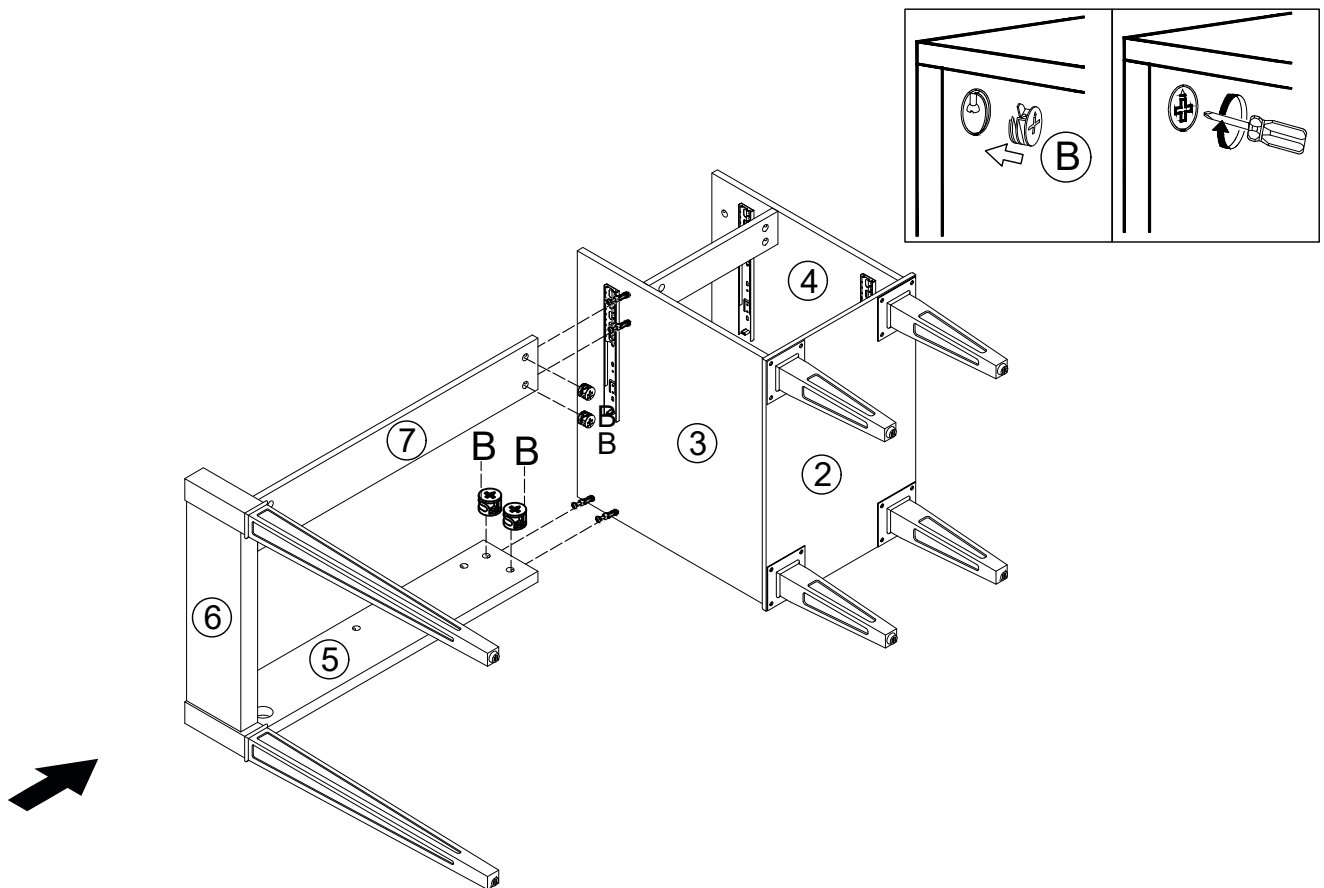



S-1

17

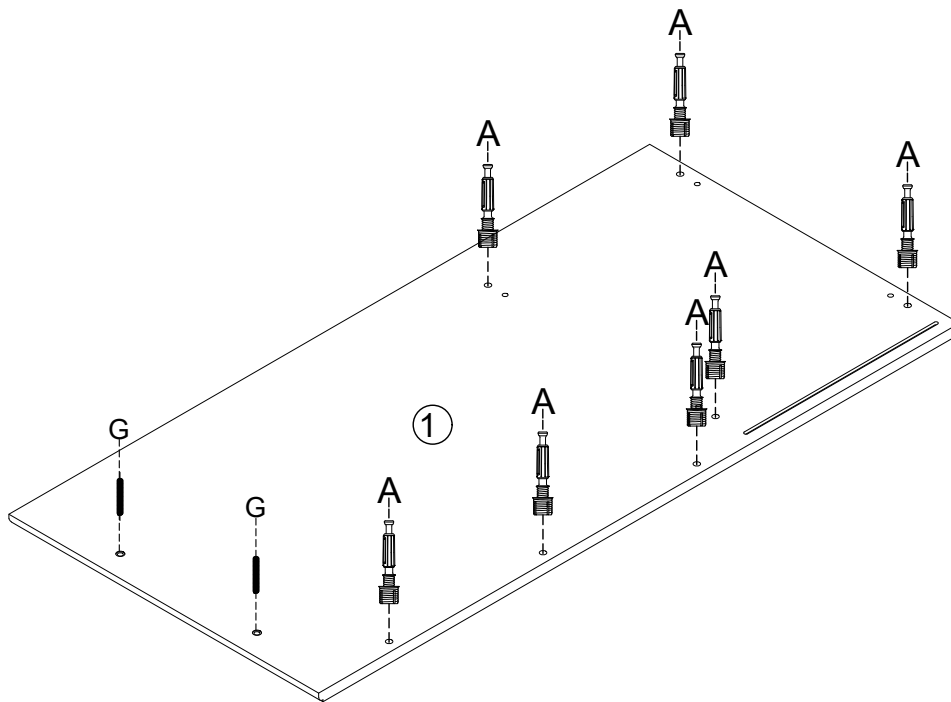



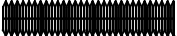
18



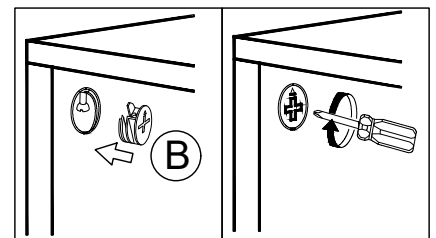
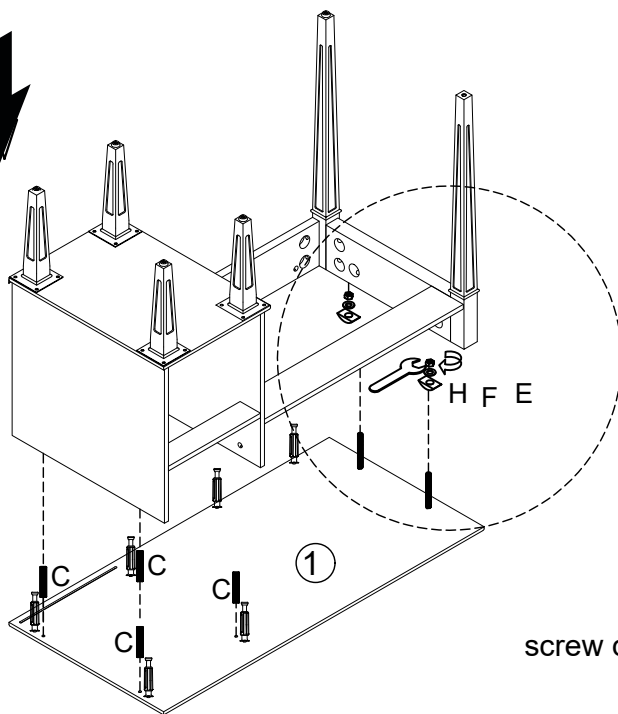
B	X4
	
Ø15X12mm	

19



A	X7	G	X2
			
Ø6X40mm		Ø8X70mm	


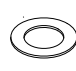




20



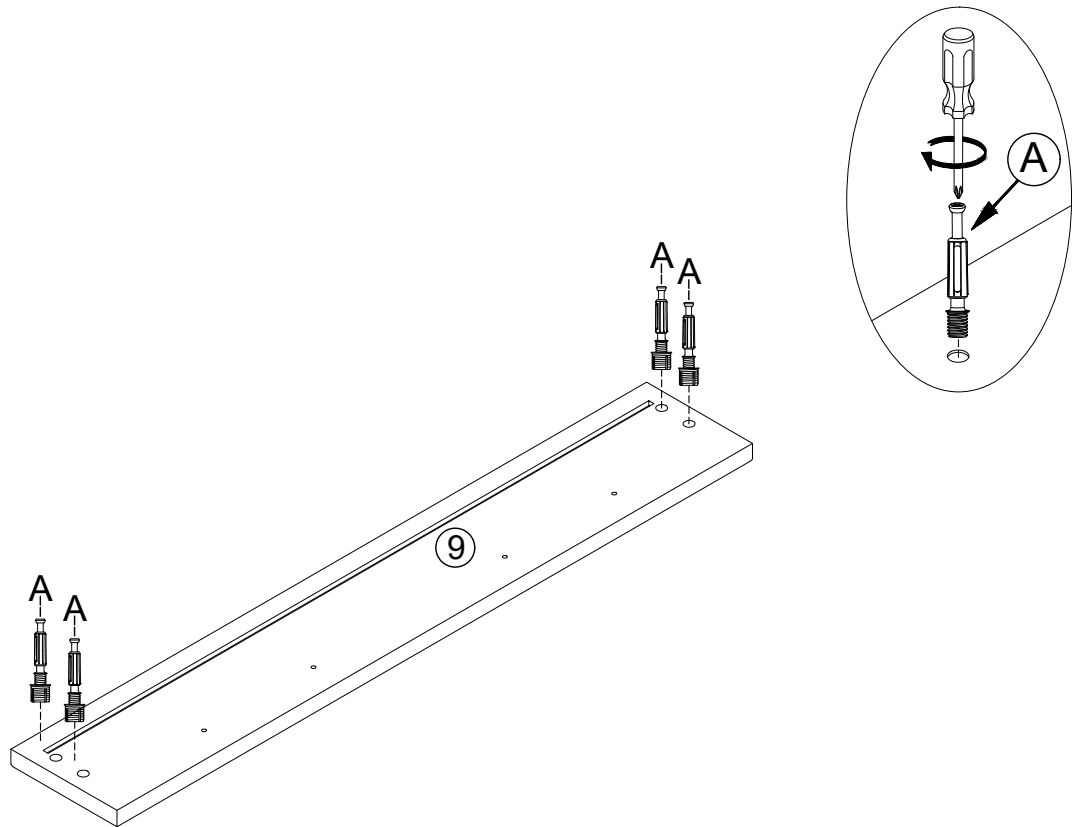
screw down

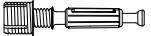


Tighten all the screws

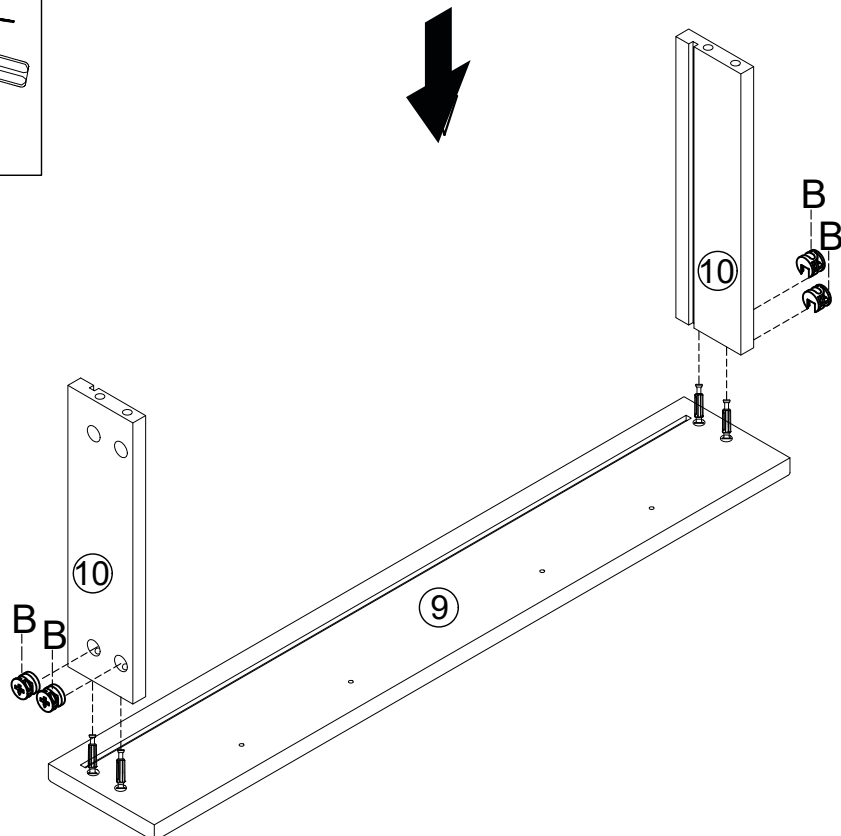
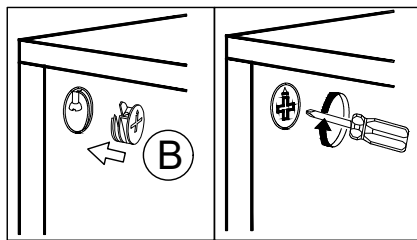
B	X7	H	X2	F	X2	E	X2	C	X4	K	X1
											
Ø15X12mm		Ø10X1.5mm		Ø8X30mm		Ø8X10mm		Ø8X30mm		M4X20mm	


21



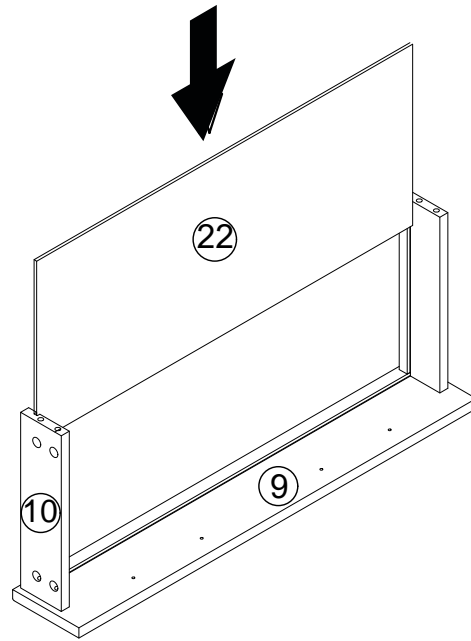
A	X4
	
Ø6X40mm	

22

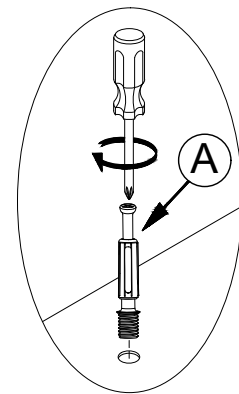
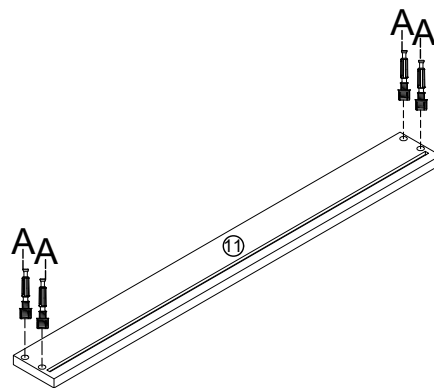


B	X4
	
Ø15X12mm	

23

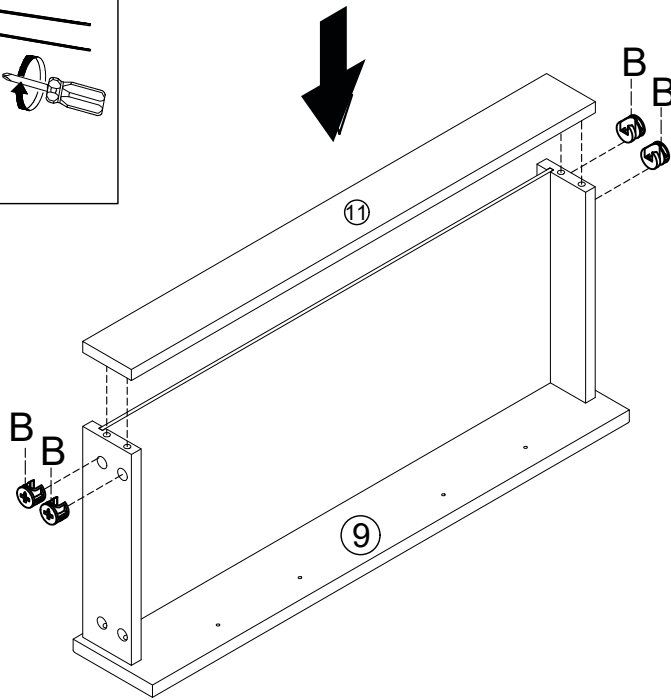
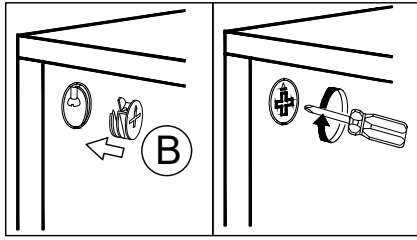


24



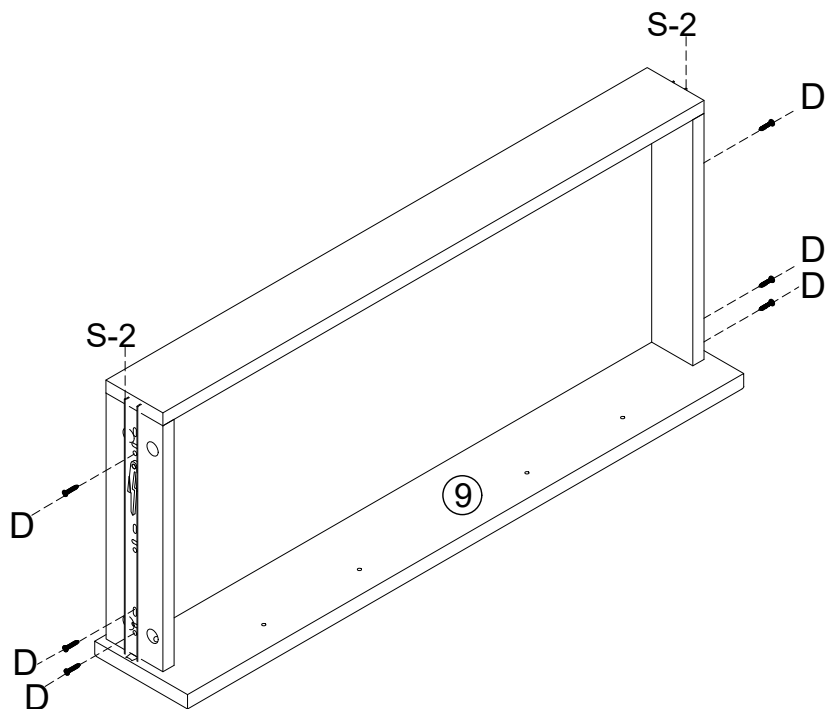
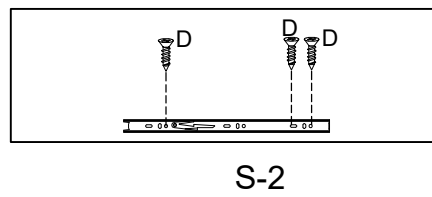
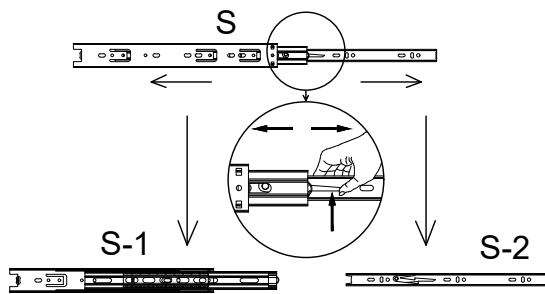
A	X4
Ø6X40mm	

25



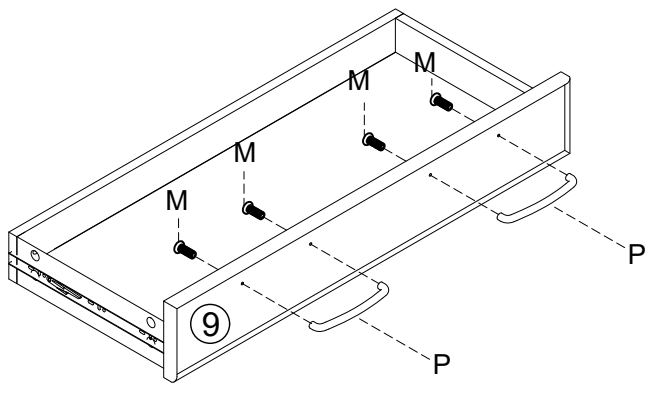
B	X4
Ø15X12mm	

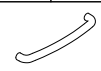
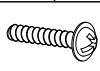
26



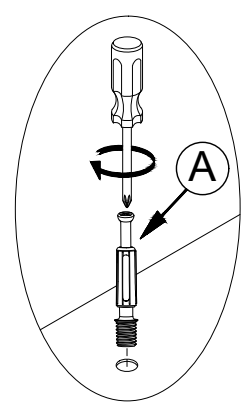
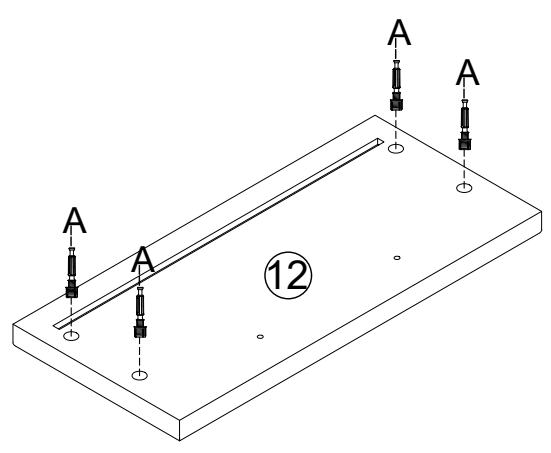
D	X6	S-2	X2
3.5X14mm		290mm	

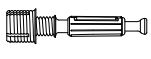
27



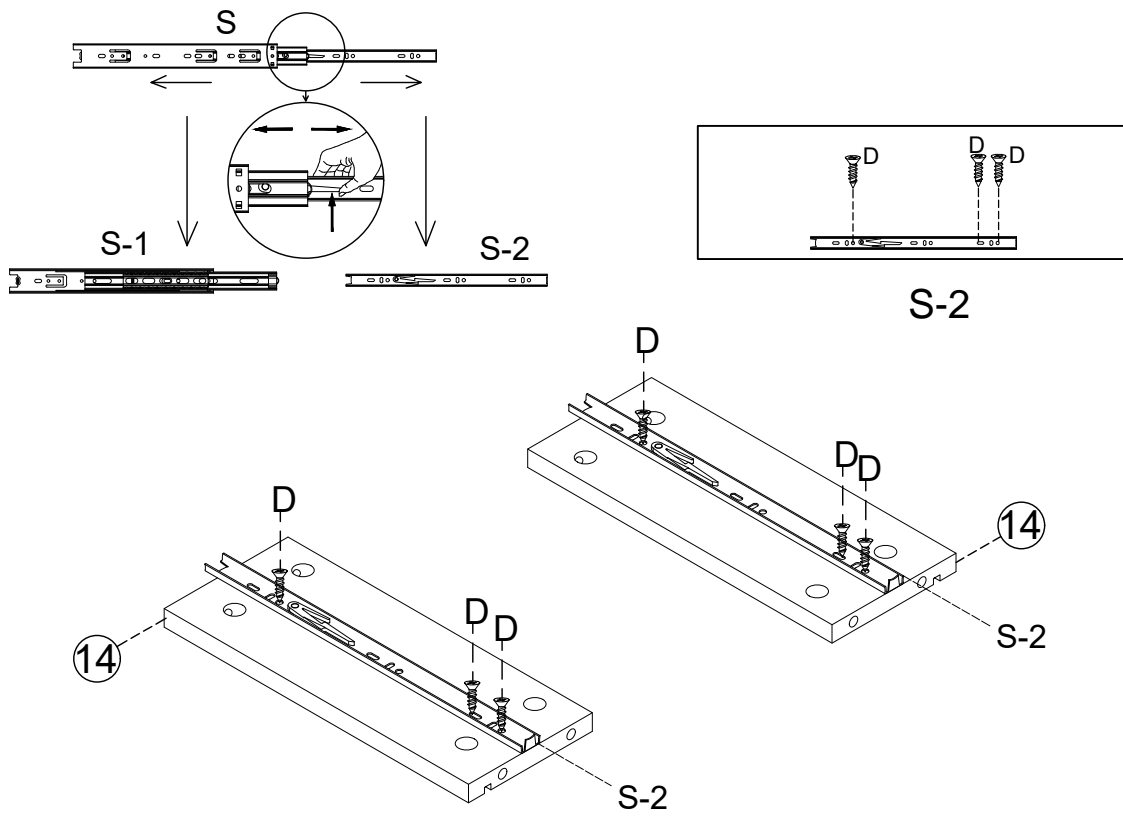
P	X2	M	X4
			
128mm		M4X20mm	

28

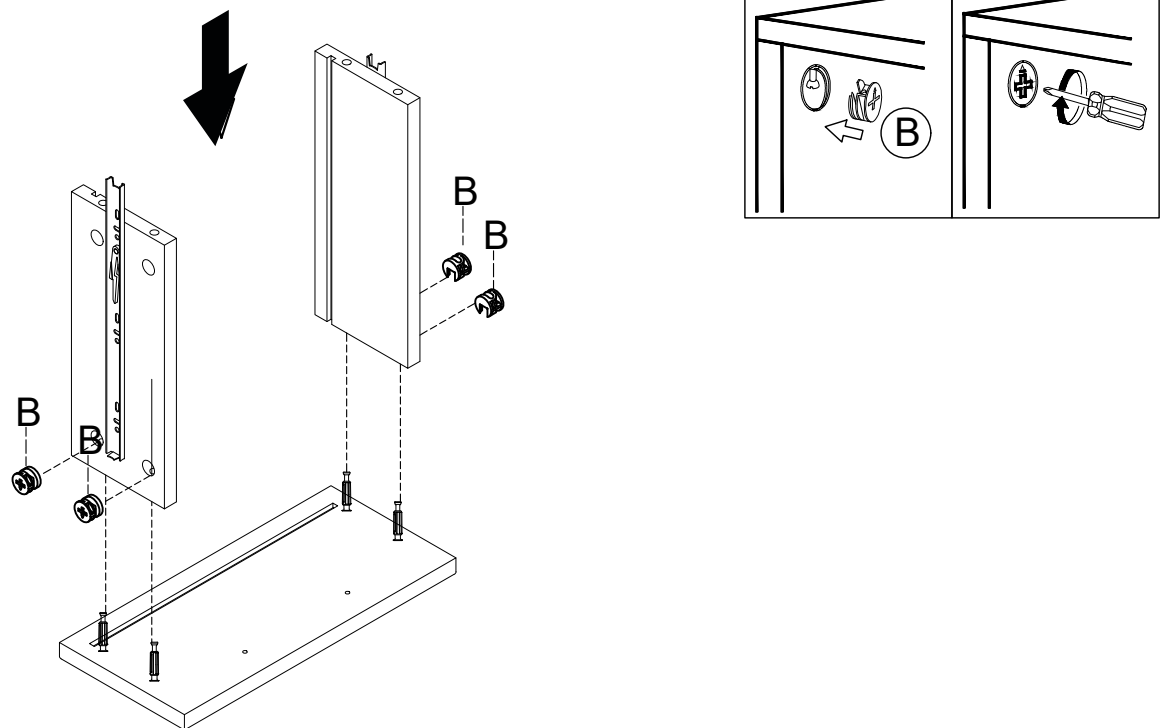



A	X4
	
Ø6X40mm	

29

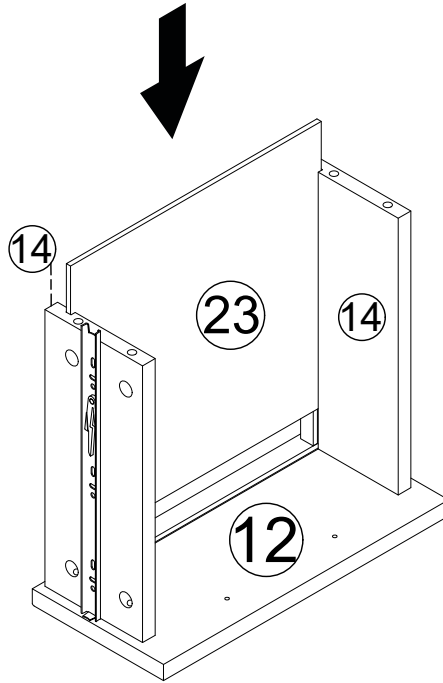


30

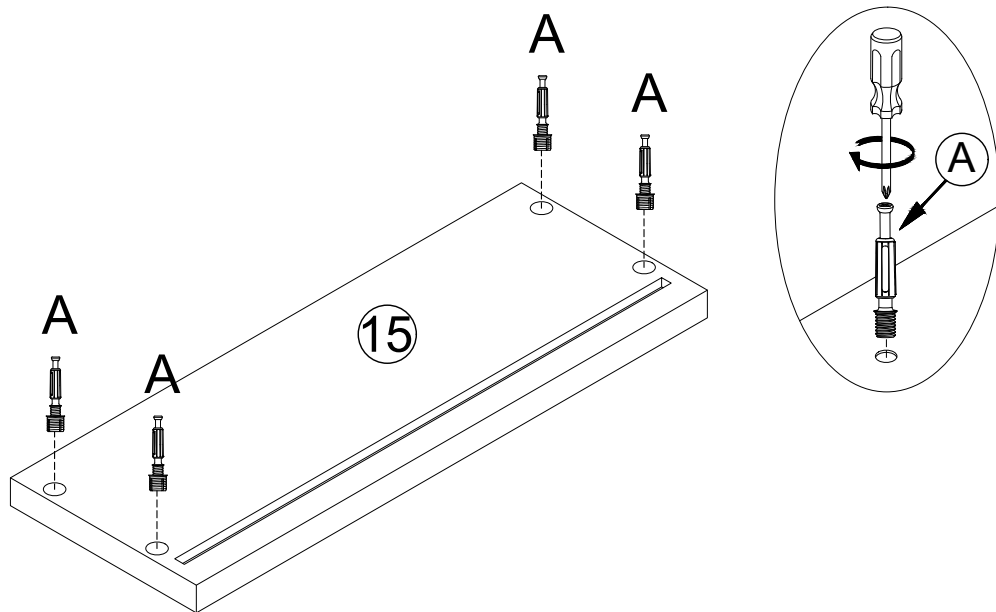


B	X4
	
Ø15X12mm	

31

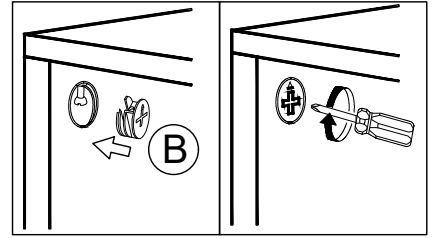
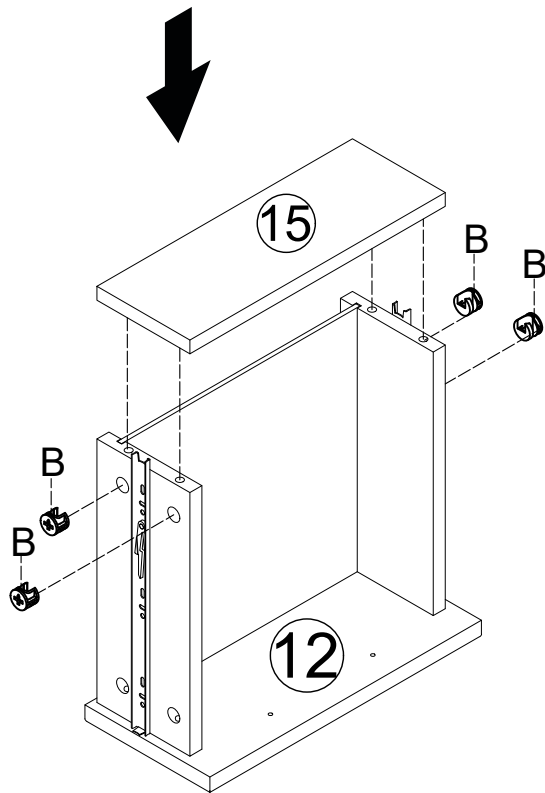


32



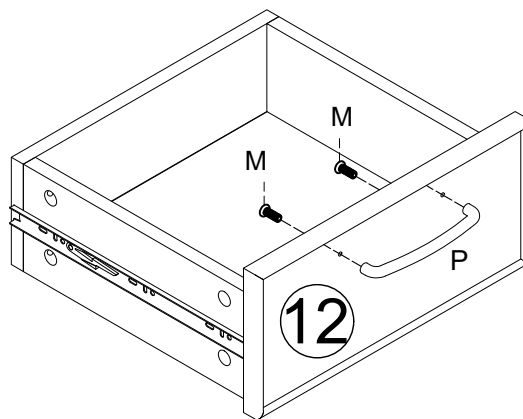
A	X4
Ø6X40mm	

33



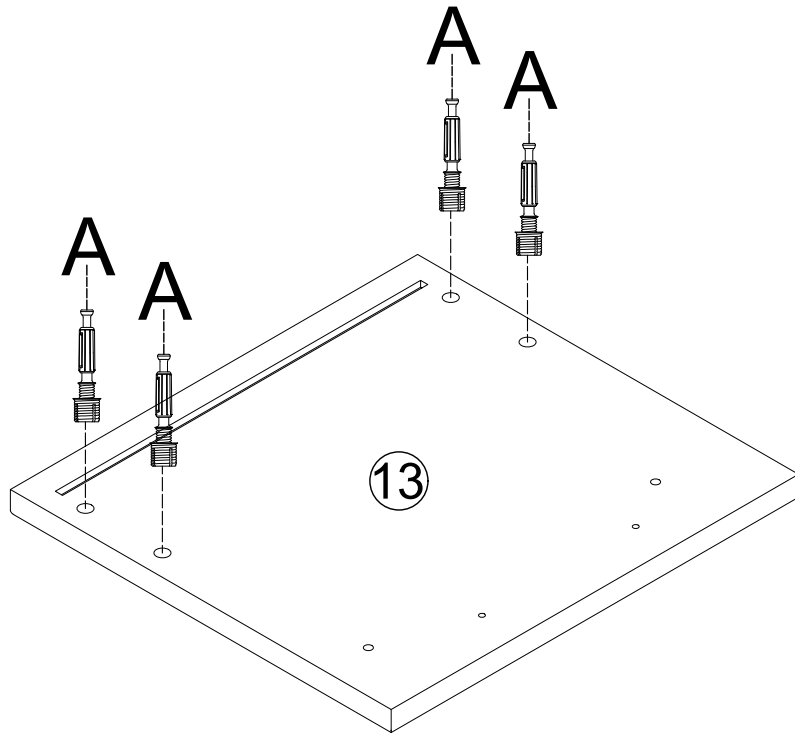
B	X4
Ø15X12mm	

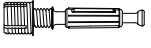
34



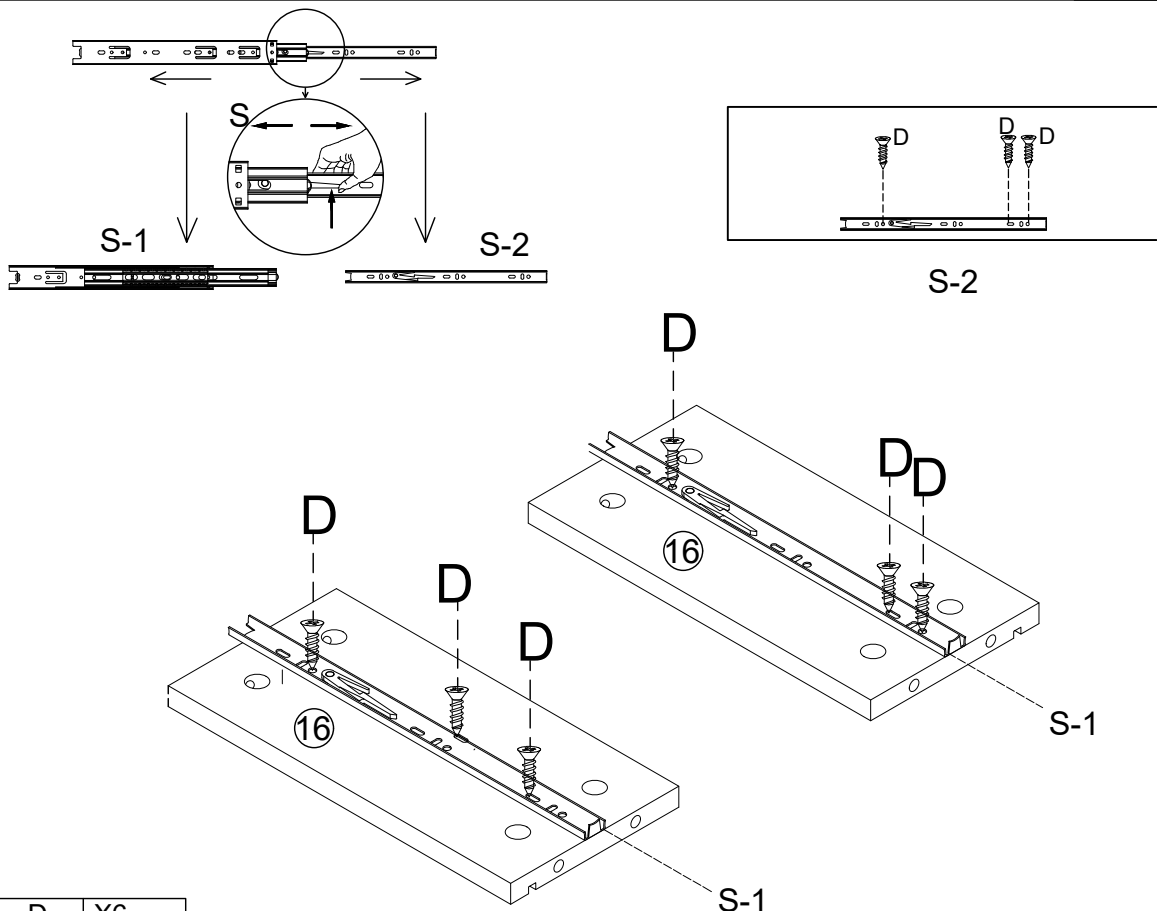
P	X1	M	X2
128mm		M4X20mm	



35



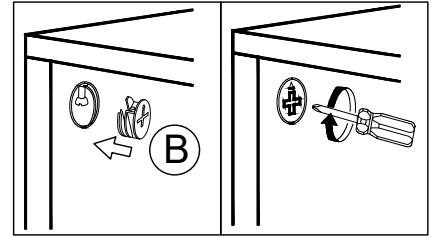
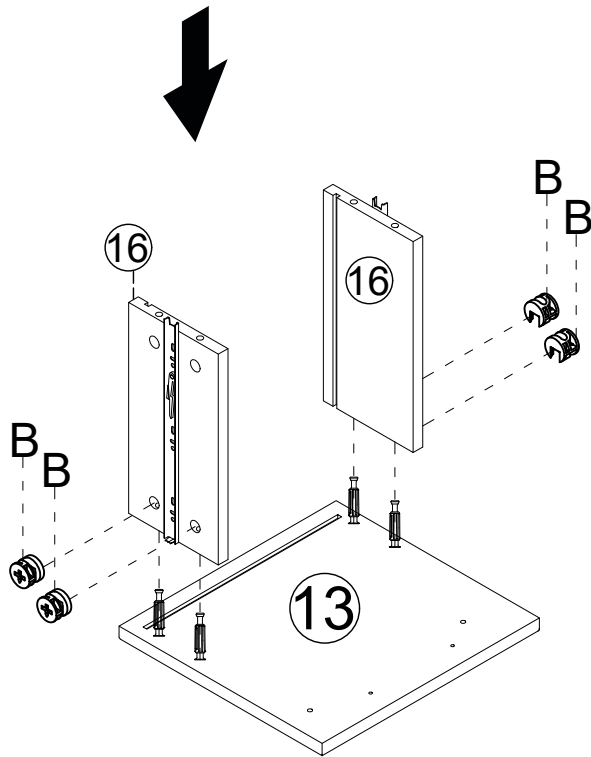
A	X4
	
Ø6X40mm	

36



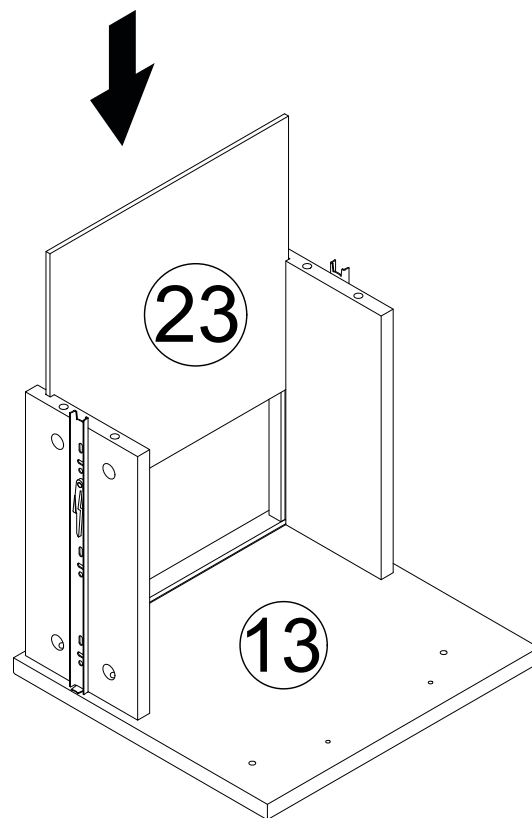
S-1	X2	D	X6
			
290mm		3.5X14mm	

37

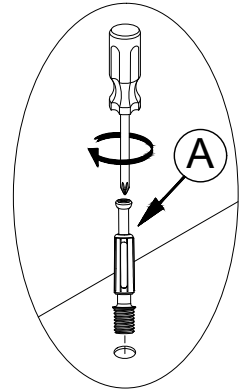
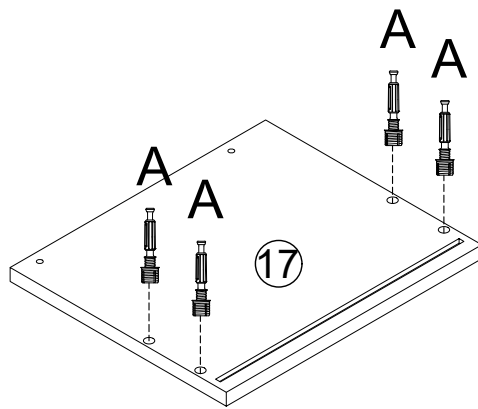


B	X4
Ø15X12mm	

38

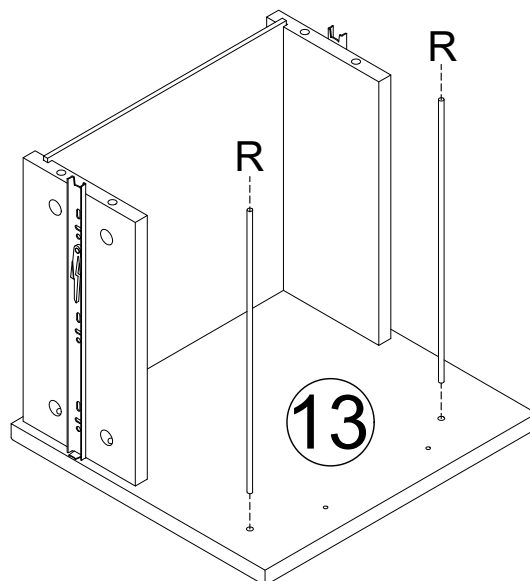


39



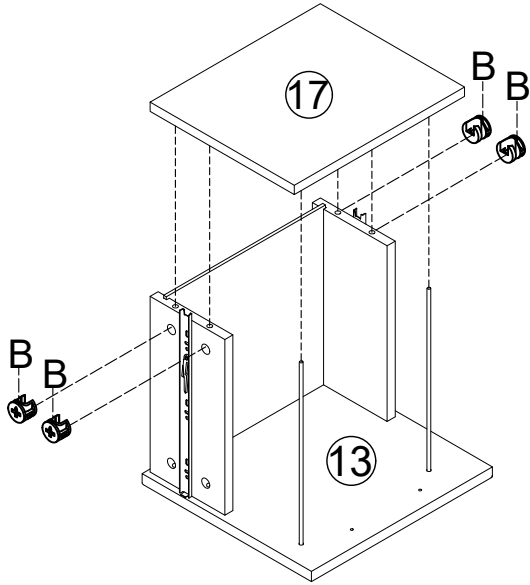
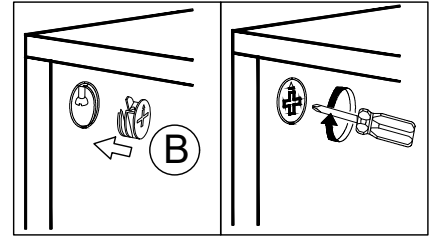
A	X4
Ø6X40mm	

40



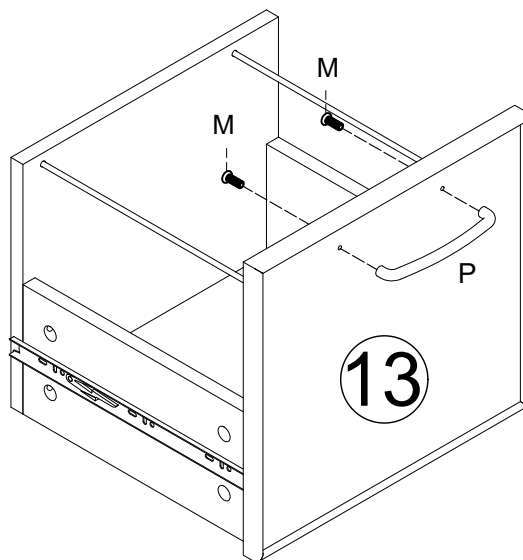
R	X2
5X305mm	

41



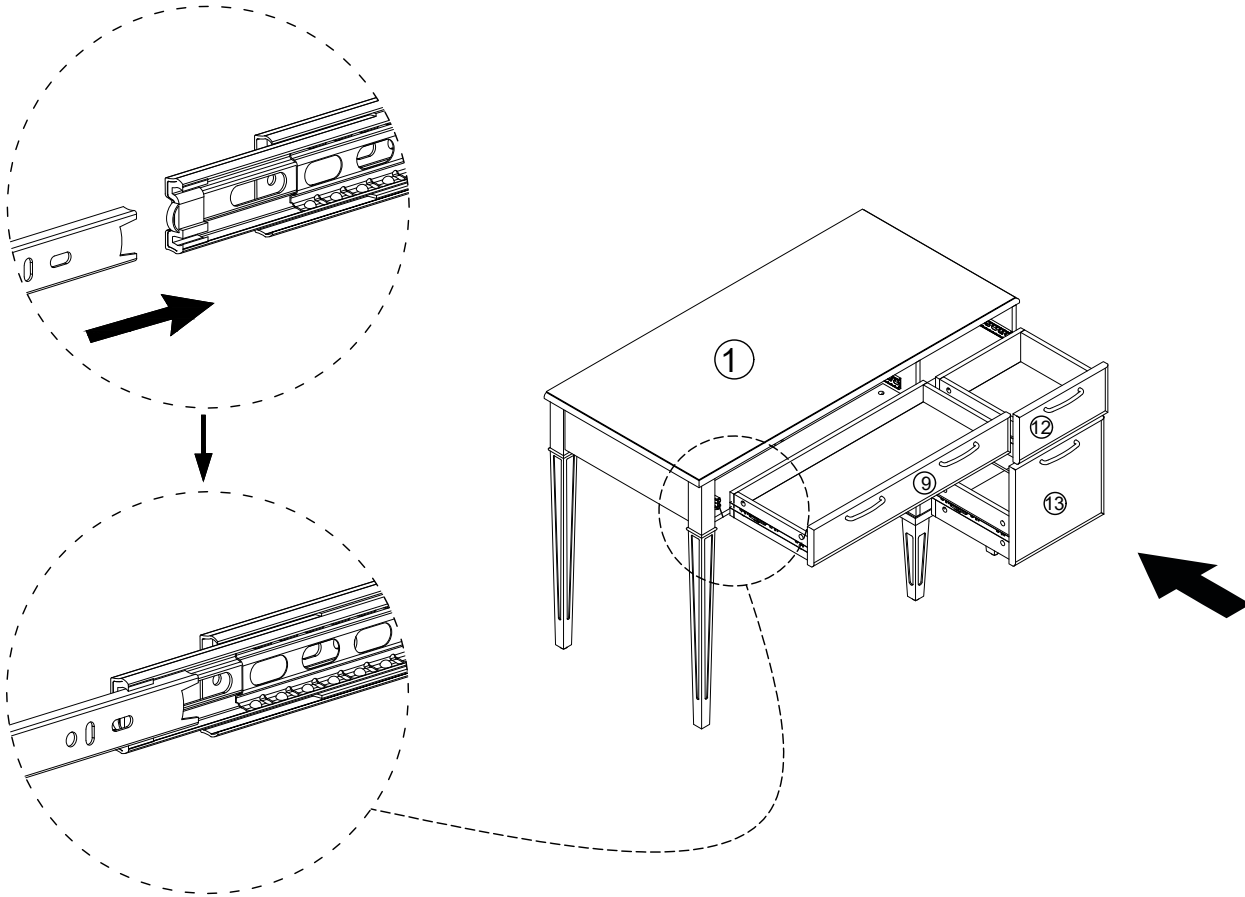
B	X4
Ø15X12mm	

42

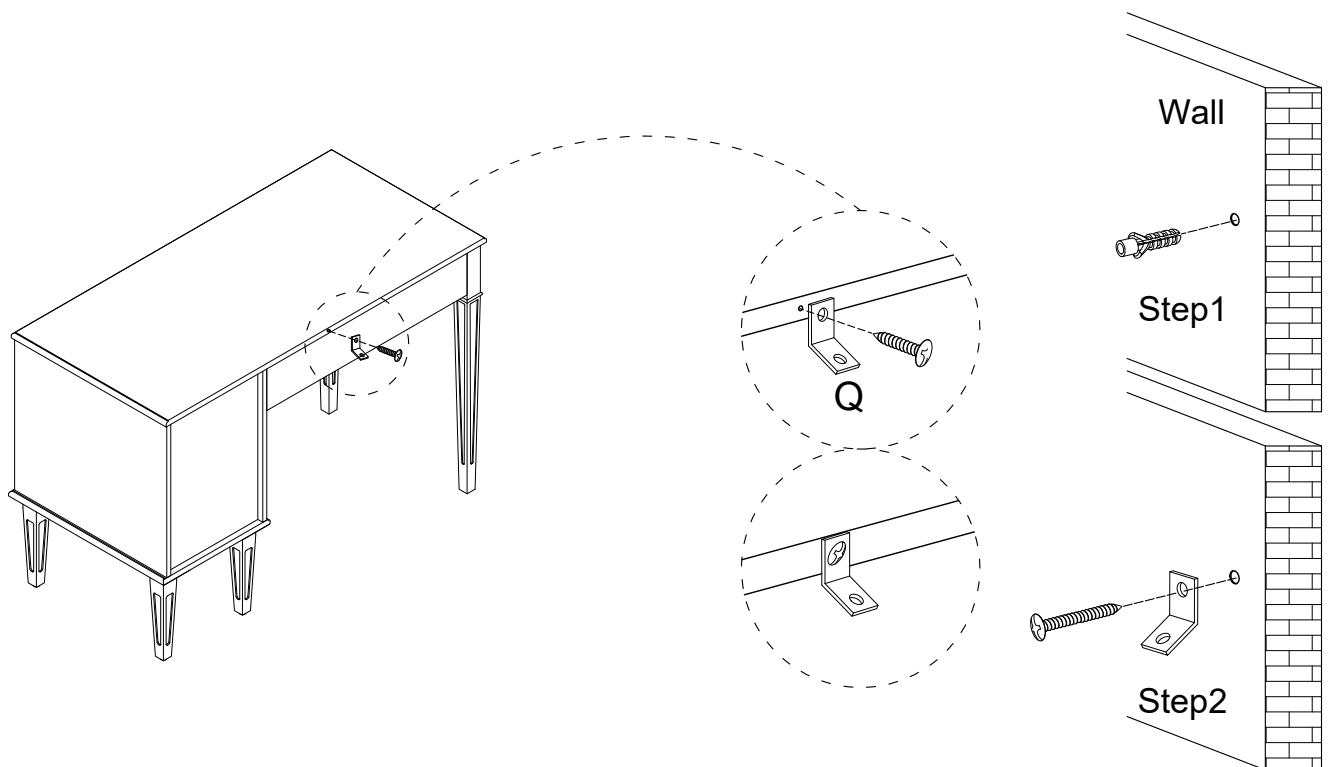


P	X1	M	X2
128mm		M4X20mm	

43

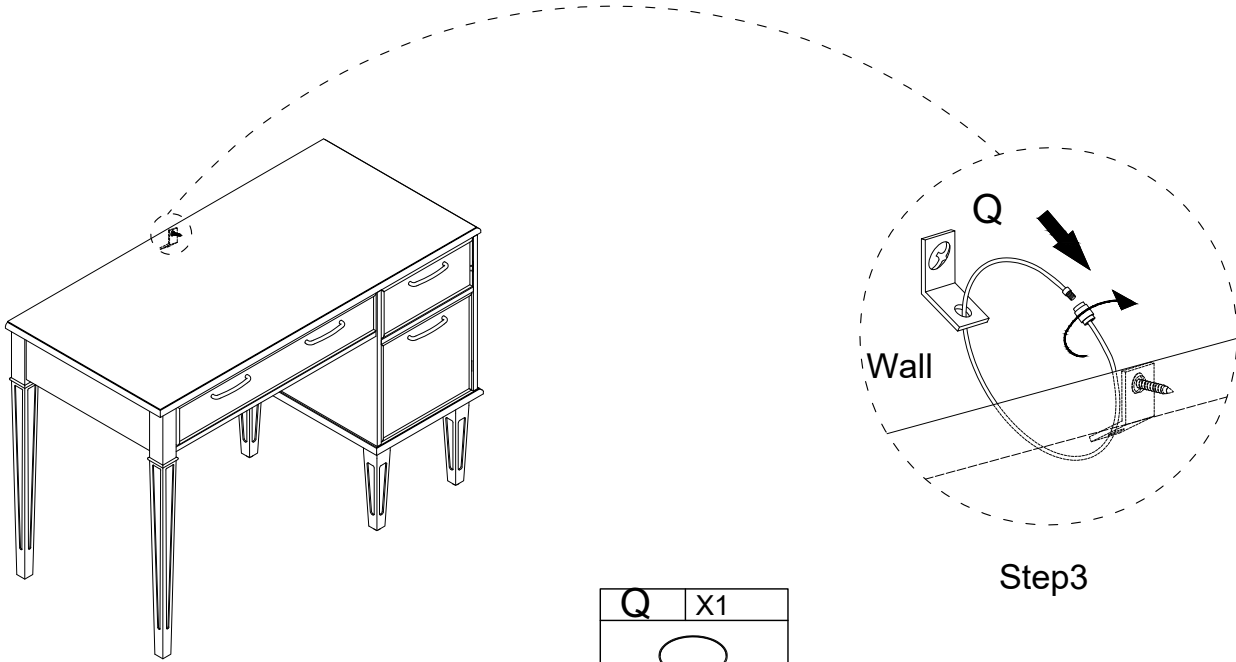


44



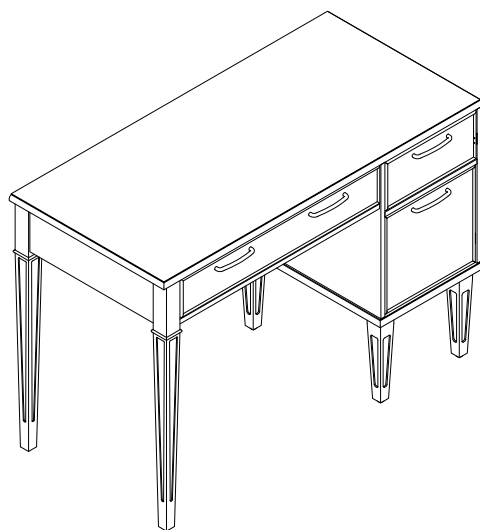
Q	X1
17x16x10.5	

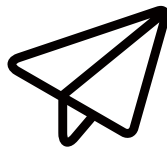
45



Q	X1
Step3	

46





No heartburn,
when we handle
the return

Our way



support@tribesigns.com



Replacement/Refund



You

Their way



Re-package item



Schedule pick-up



Track package



Replacement



You

Contact our customer service team



support@tribesigns.com
www.tribesigns.com



1-424-220-6888