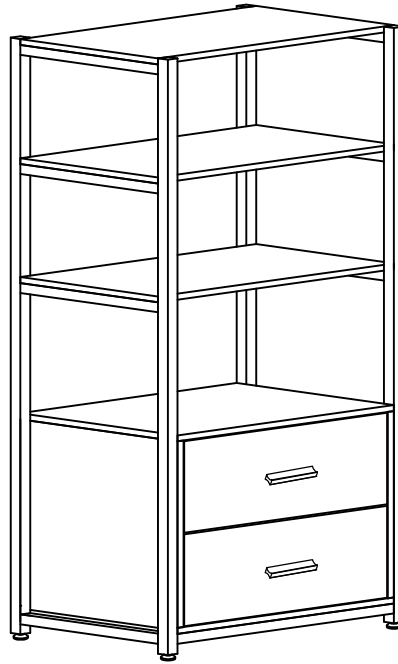



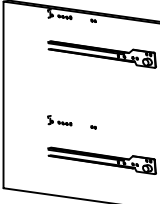
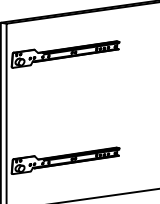
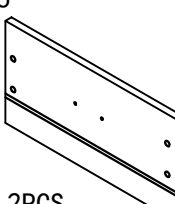
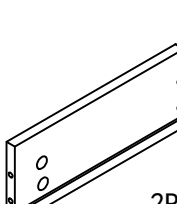
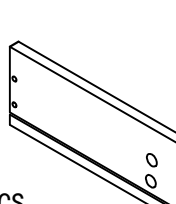
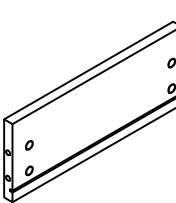
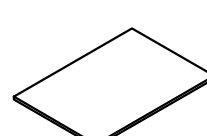
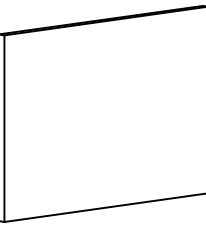
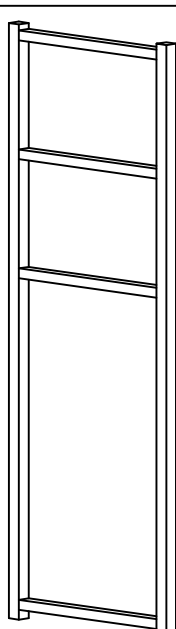









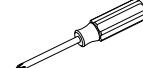


ASSEMBLY INSTRUCTION FOR DX-F1098 P1

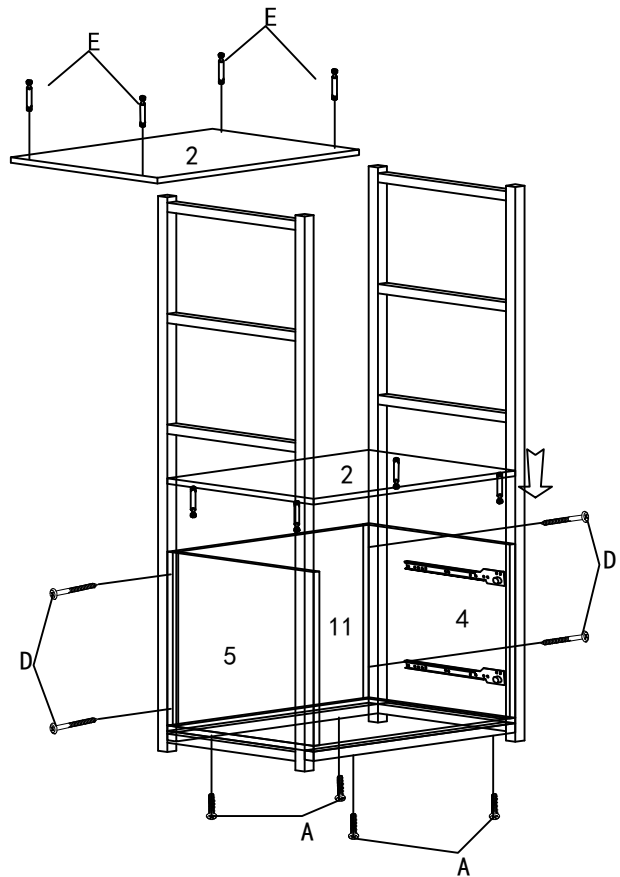
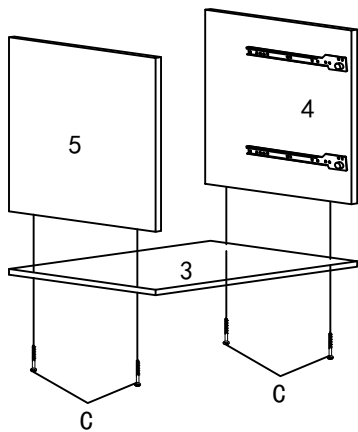
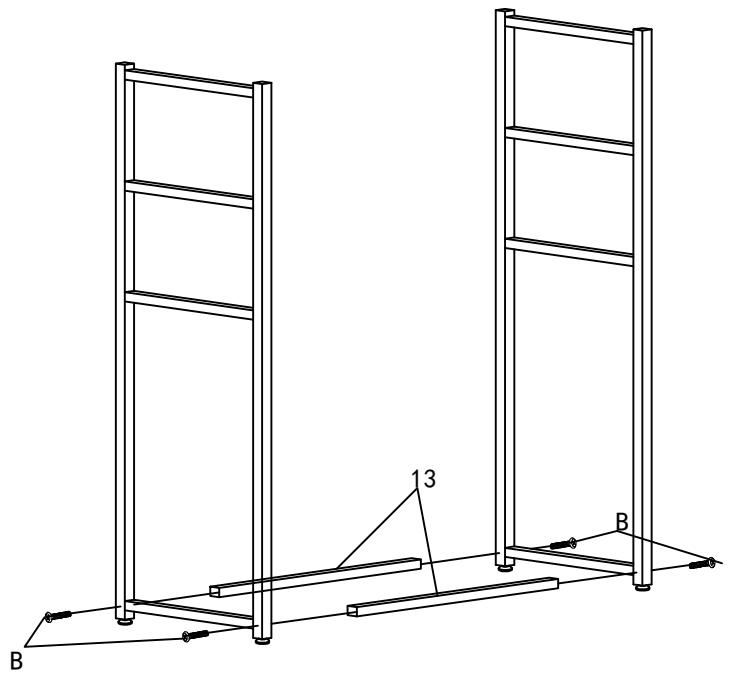
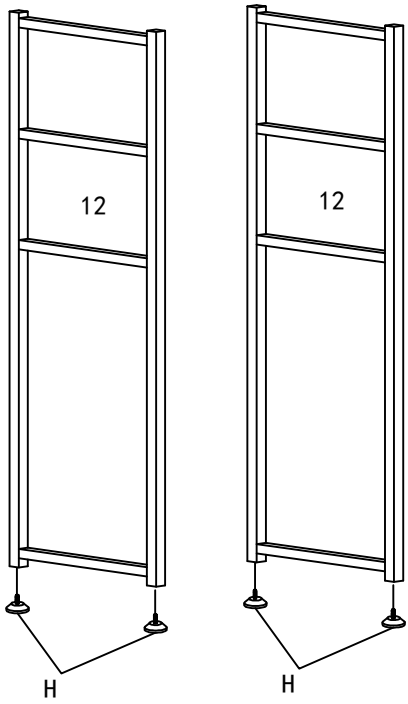
LITTLE TREE bookshelf



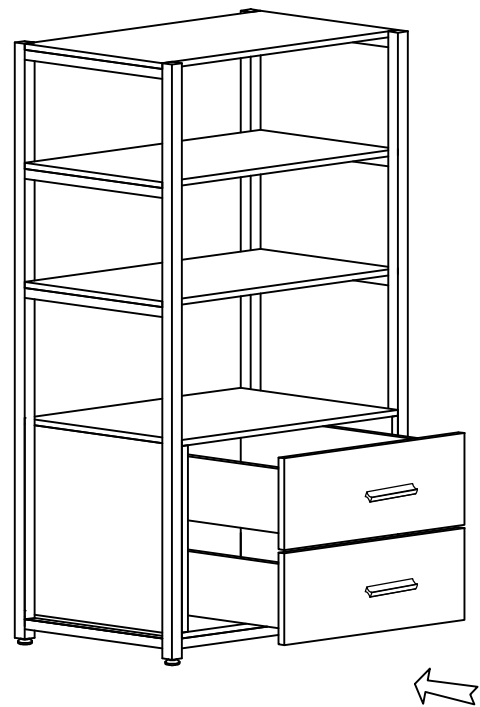
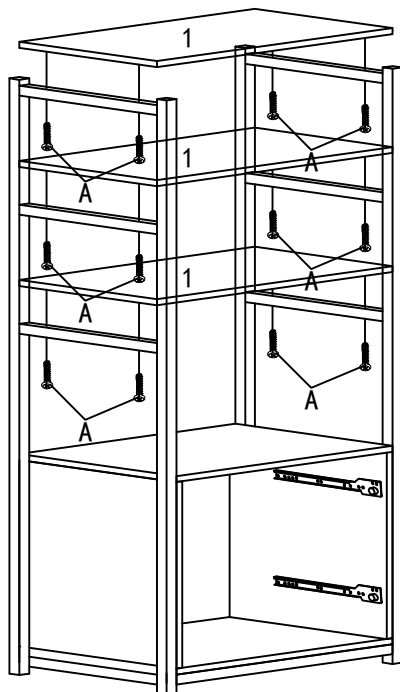
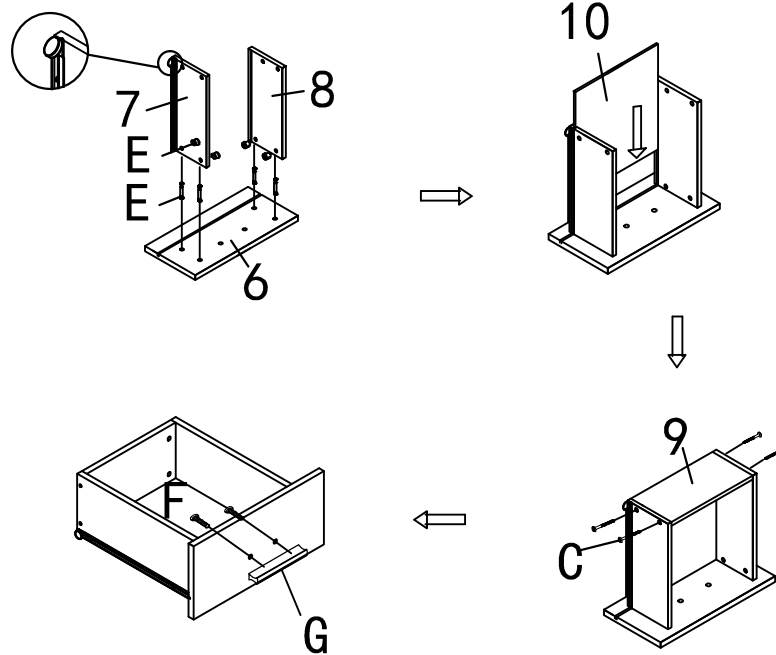
Notes: Don't tighten screws completely at first, just in case parts were assembled wrong and need disassemble. Tighten screws at last when all parts are put together

1  3PCS		2 		3 				
4 		5 		6  2PCS				
7  2PCS		8  2PCS		9  2PCS				
10  2PCS		11 		12  2PCS				
13  2PCS								
A  M6X35 16PCS	B  M6X40 4PCS	C  M5X50 12PCS	D  M5X70 4PCS	E  12PCS	F  M4X18 4PCS	G  2PCS	H  4PCS	

ASSEMBLY INSTRUCTION FOR DX-F1098 P2



ASSEMBLY INSTRUCTION FOR DX-F1098 P3



Thanks for choosing LITTLE TREE L Shaped Standing Desk, your satisfaction is our priority if you have any installation problems or any damages caused by shipping please feel free to contact us at support@littletree.com, our friendly customer service will solve your problem at first time. Hope our product can meet your expectation.