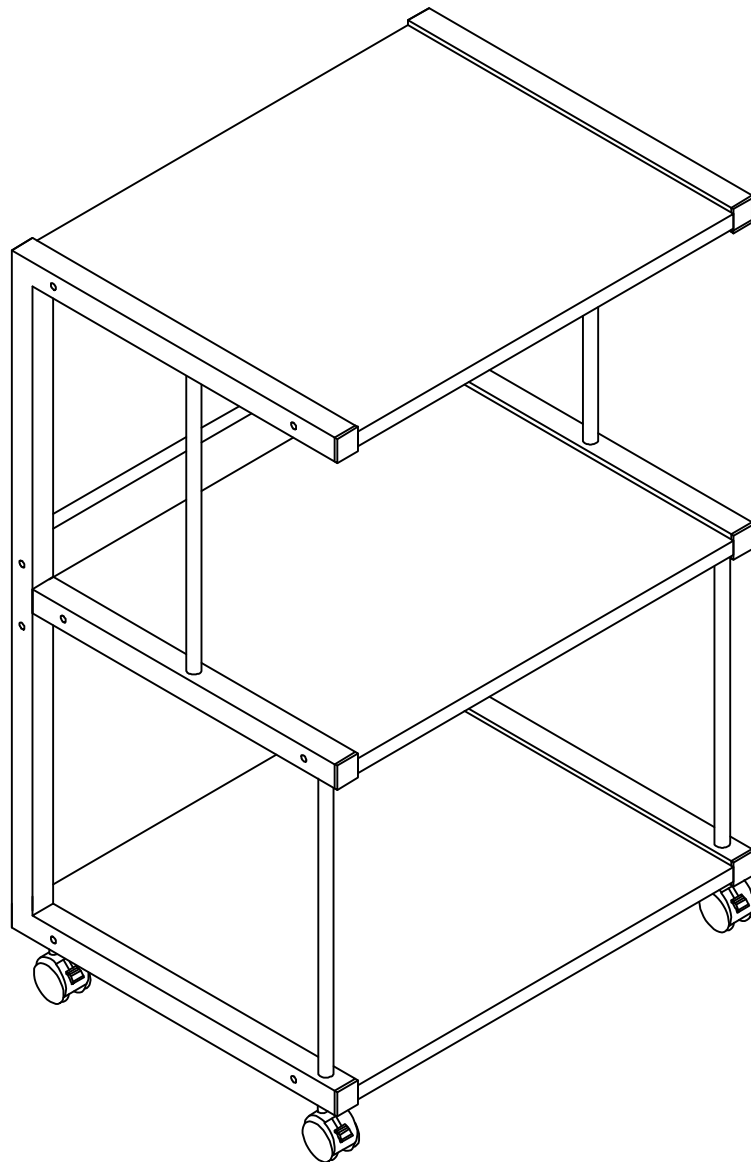


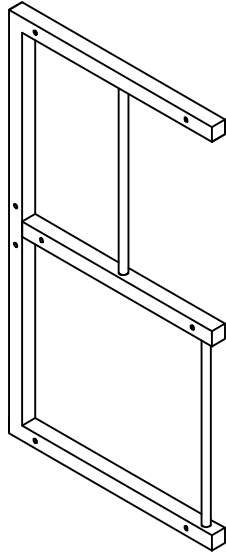
Installation instructions

HOGA-F1482-F1483



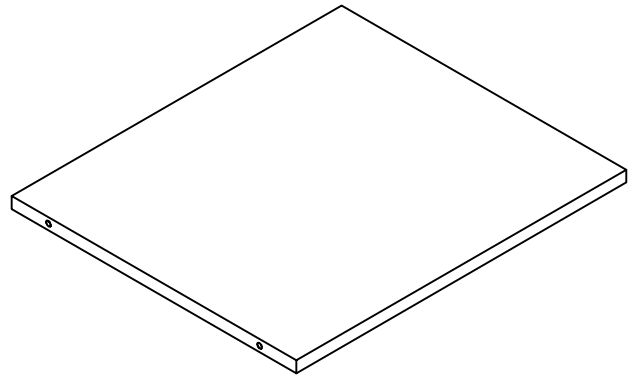
Accessories show

①



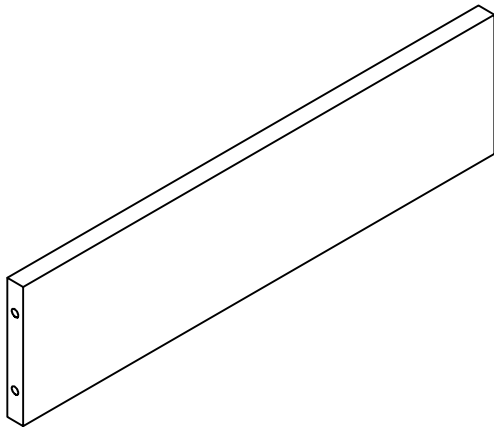
x2

②



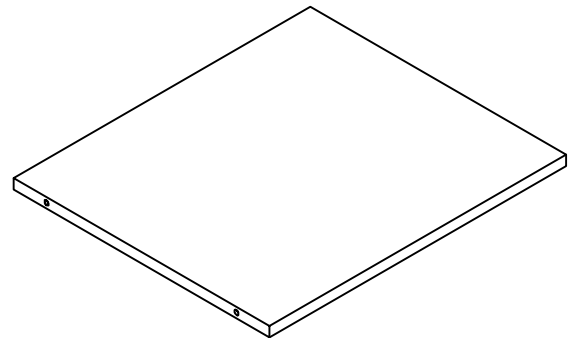
x2

③



x1

④



x1



w-1

16pcs

6*50



w-2

4pcs



w-3

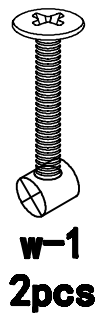
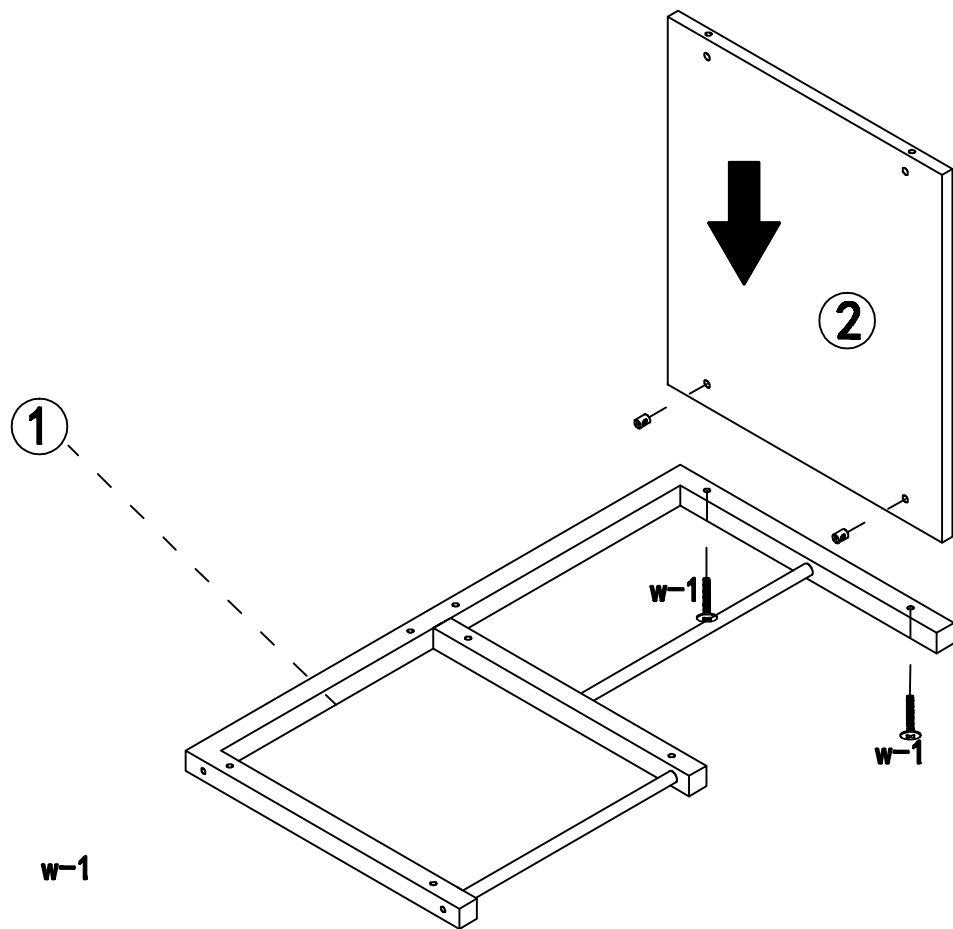
6pcs

NOTES: Don't tighten screws completely at first, just in case parts were assembled wrong and need disassembled. Tighten screws at last when all parts are put together.

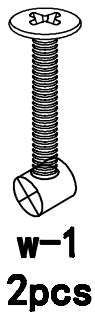
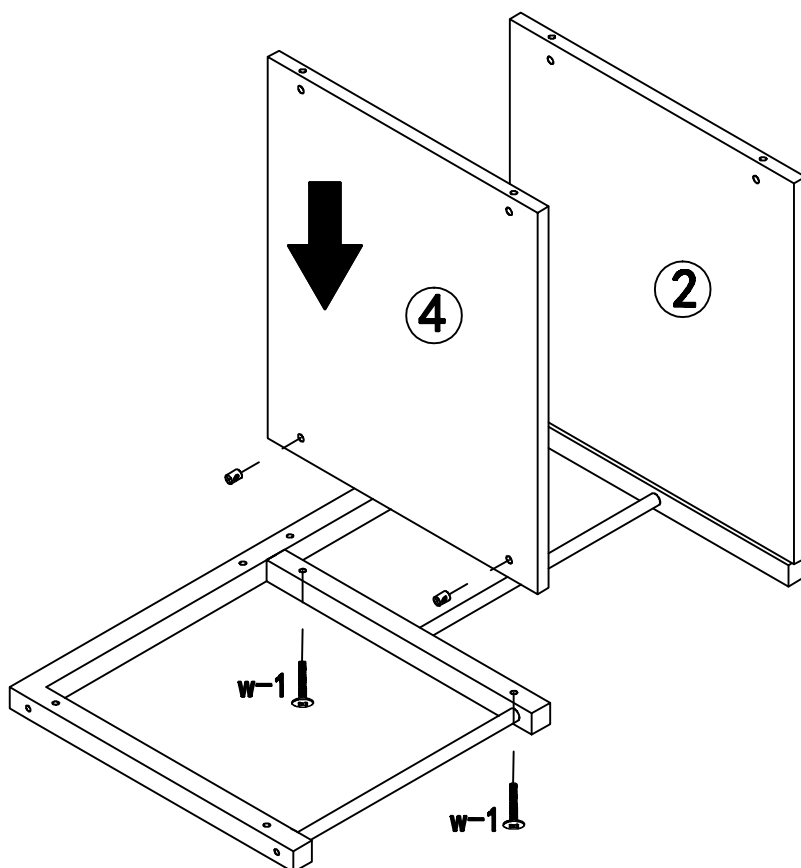
www.tribesigns.com

Email: support@tribesigns.com

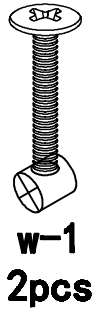
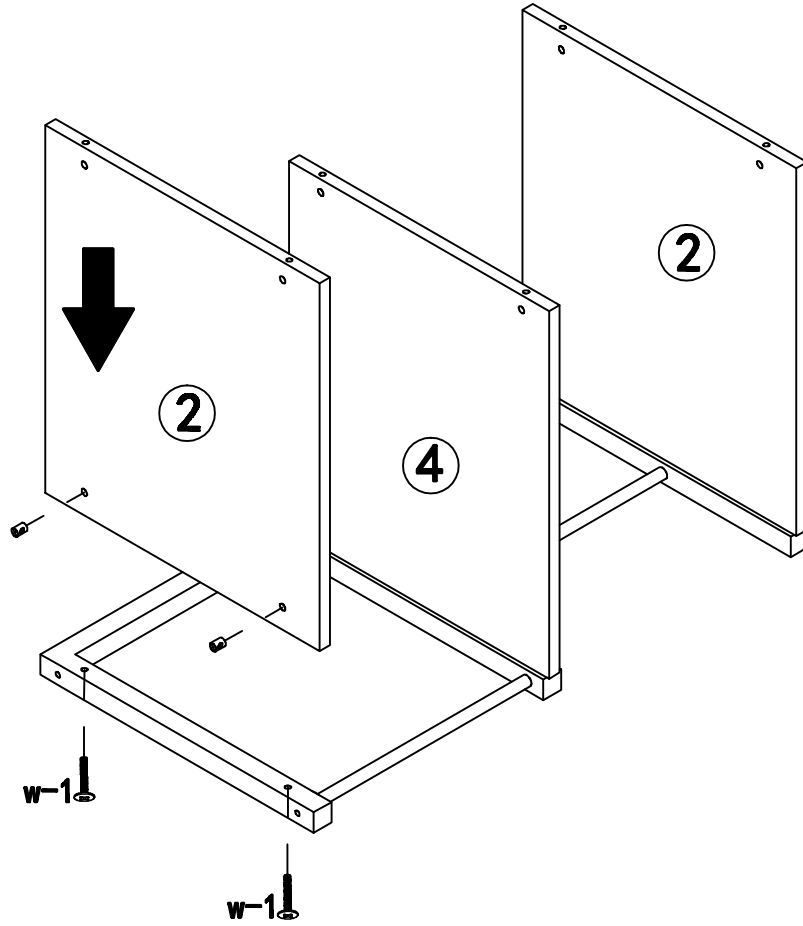
STEP 1



STEP 2

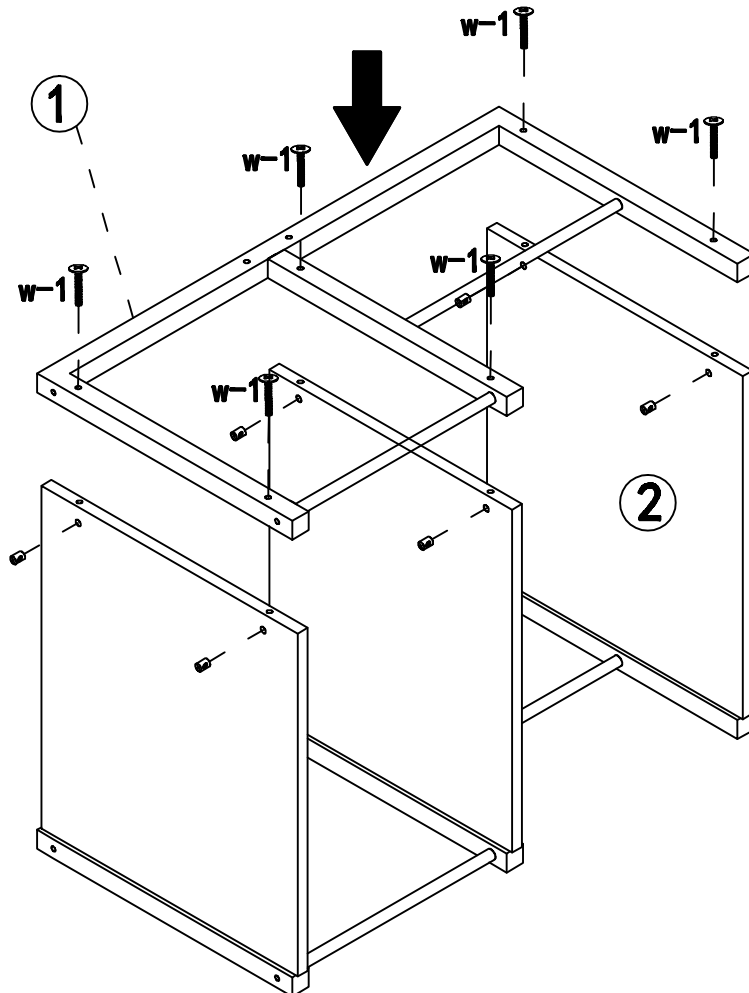


STEP 3



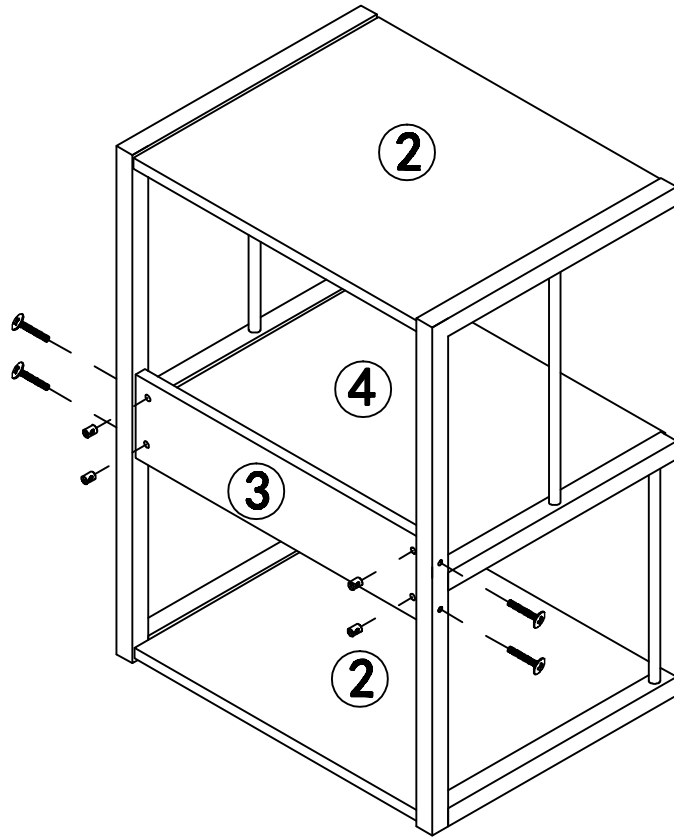
w-1
2pcs

STEP 4



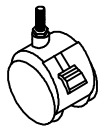
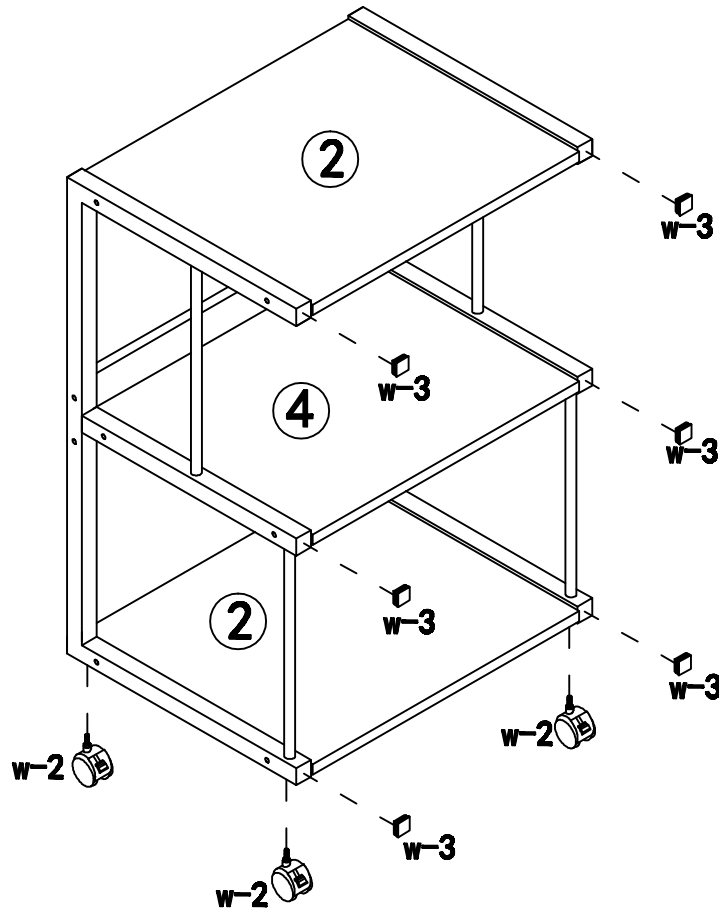
w-1
6pcs

STEP 5

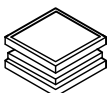


w-1
4pcs

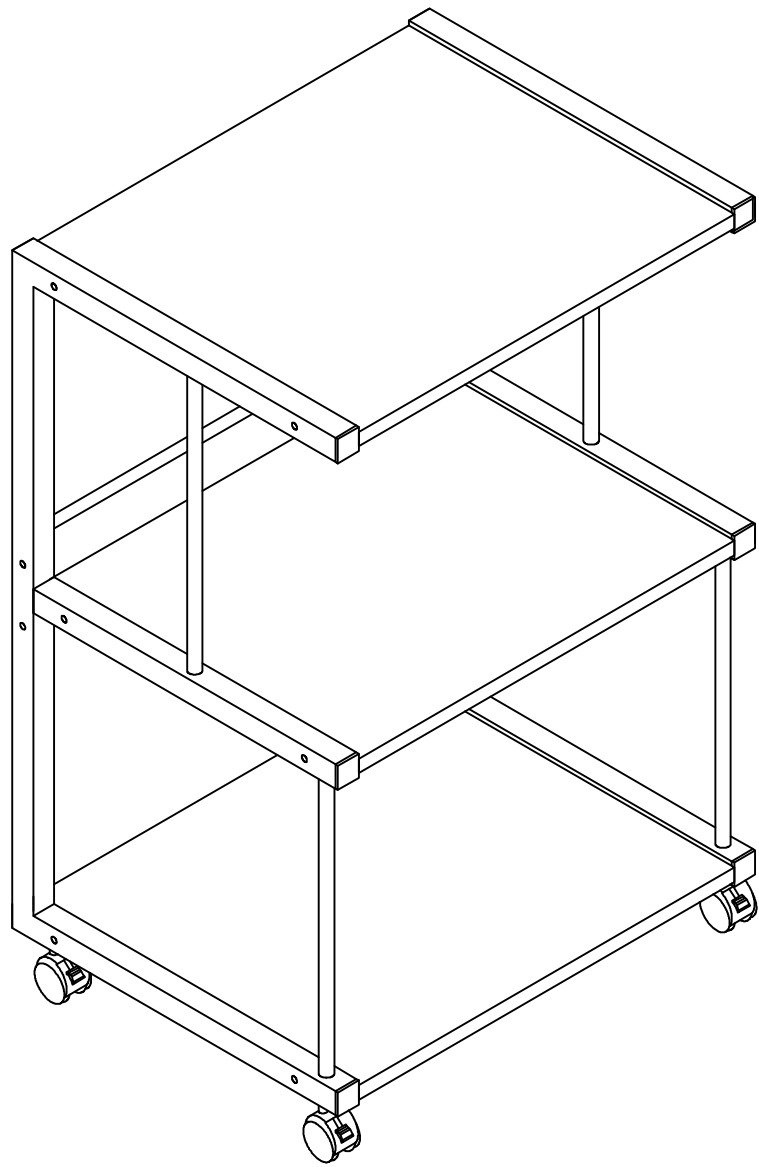
STEP 6



w-2
4pcs



w-3
6pcs



complete

Thanks for choosing Tribesigns product your satisfaction is our priority If you have any damages caused by shipping feel free to contact us at "support@tribesigns.com" our friendly customer service will solve problem for you.