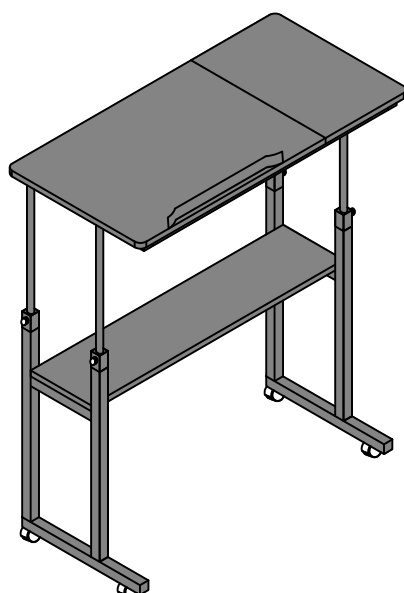
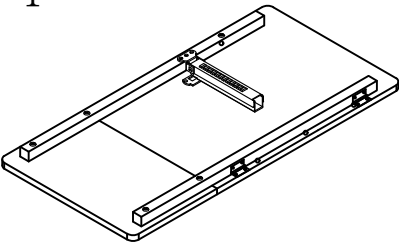
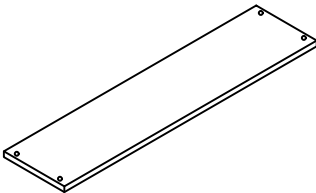
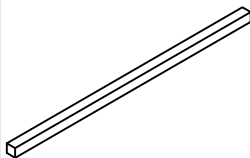
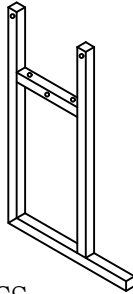
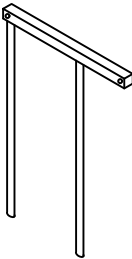




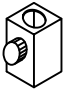


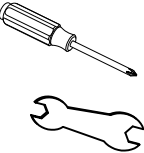



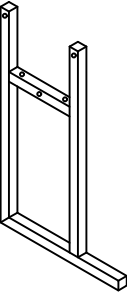
# ASSEMBLY INSTRUCTION FOR DX-C0566 P1

Tribesigns  
Painting table

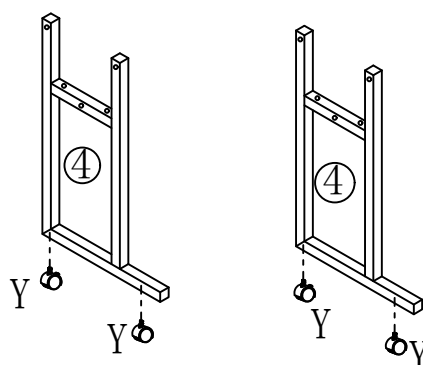


**Notes: Don't tighten screws completely at first, just in case parts were assembled wrong and need disassemble. Tighten screws at last when all parts are put together**


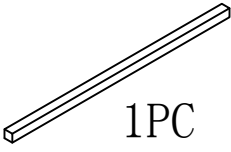
1 		2 		3 		4  2PCS		5  2PCS	
E  M6X25 3PCS	G  M6X35 4PCS	H  M6X40 6PCS	X  1PCS	W  4PCS	Y  1SET	Z  1PCS			

Y  1SET	 2PCS
4	

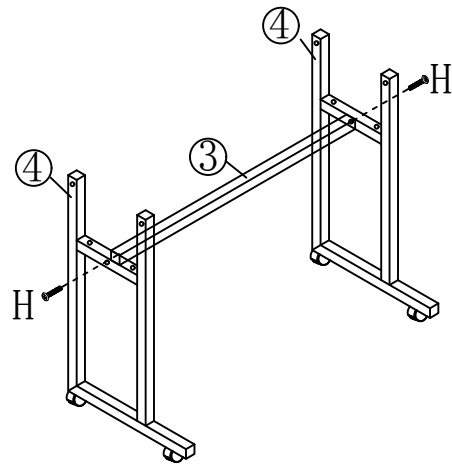
Step1


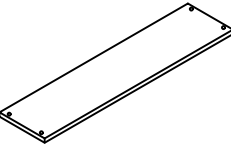


# ASSEMBLY INSTRUCTION FOR DX-C0566 P2

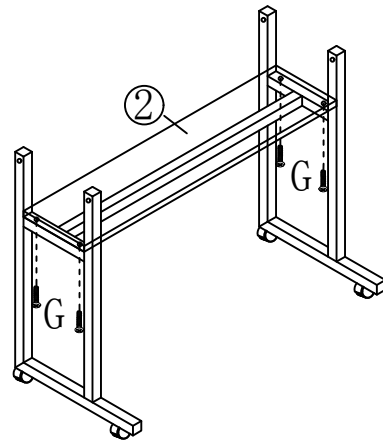
H		2PCS
3		1PC


Step2



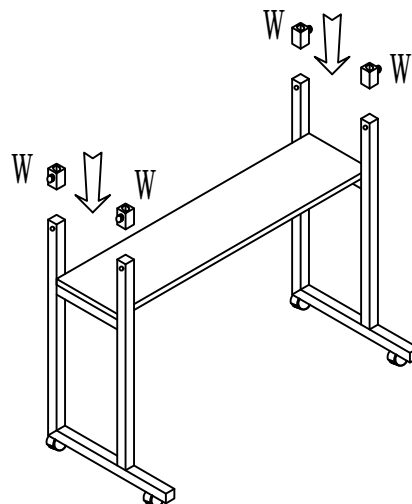
G		4PCS
2		1PC

Step3


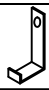




W		4PCS
---	-------------------------------------------------------------------------------------	------

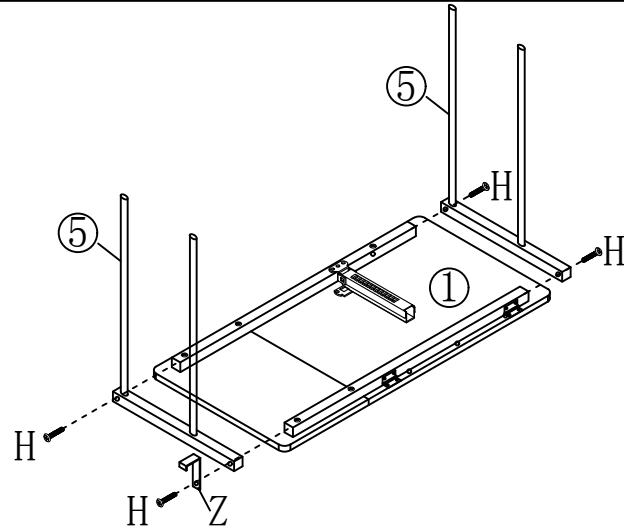
Step4



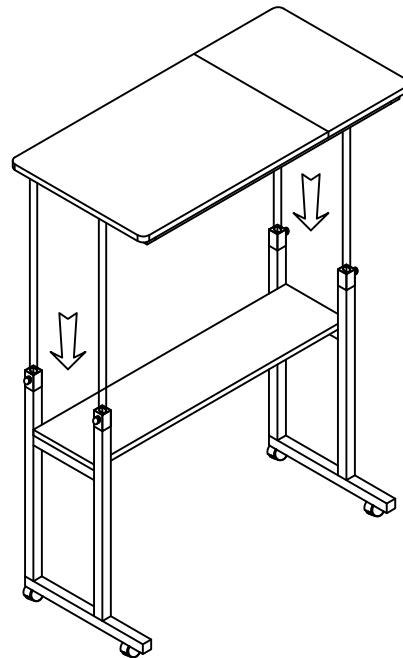
# ASSEMBLY INSTRUCTION FOR DX-C0566 P3

H		4PCS
Z		1PCS
1		1PC
5		2PCS

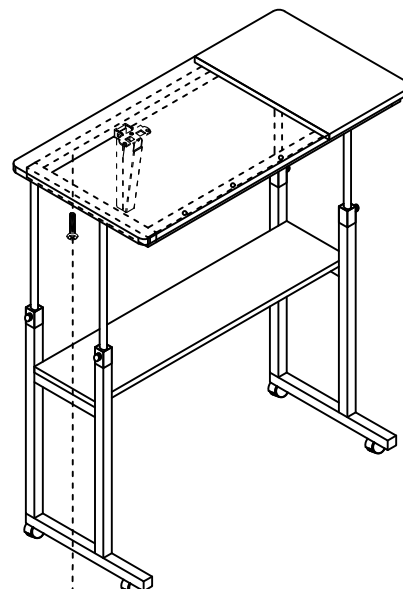
Step5



Step6





Step7

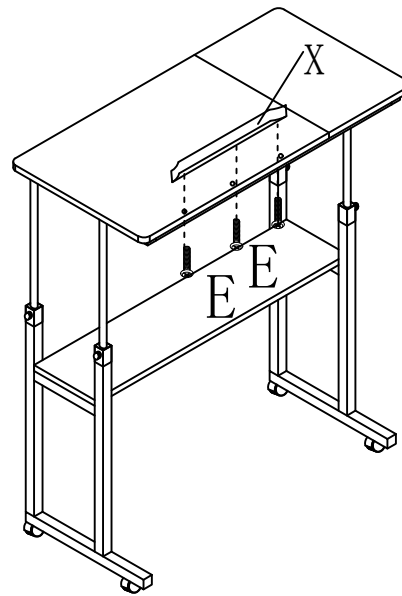


After fixing the No. 1 board with H screws, remove the screws from the No. 1 board so that the board can be turned over.

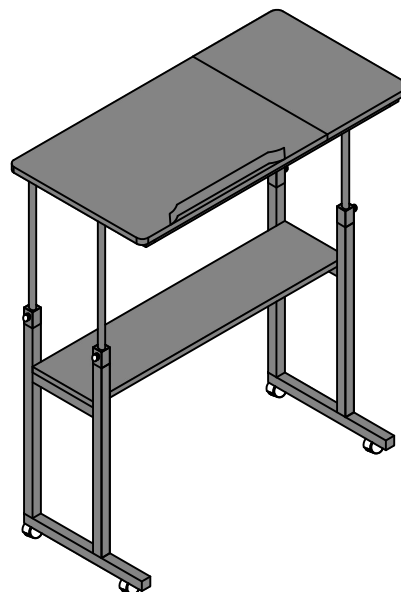
# ASSEMBLY INSTRUCTION FOR DX-C0566 P4

E		3PCS
X		1PC

Step8



Step9



Thanks for choosing Tribesigns File cabinets , your satisfaction is our priority.  
If you have any installation problems or any damages caused by shipping, feel free to  
contact us at “ support@tribesigns.com“, our friendly customer service will solve  
problem for you  
www.tribesigns.com