



WORX RACING Sea-Doo 4-tec Exhaust Bypass

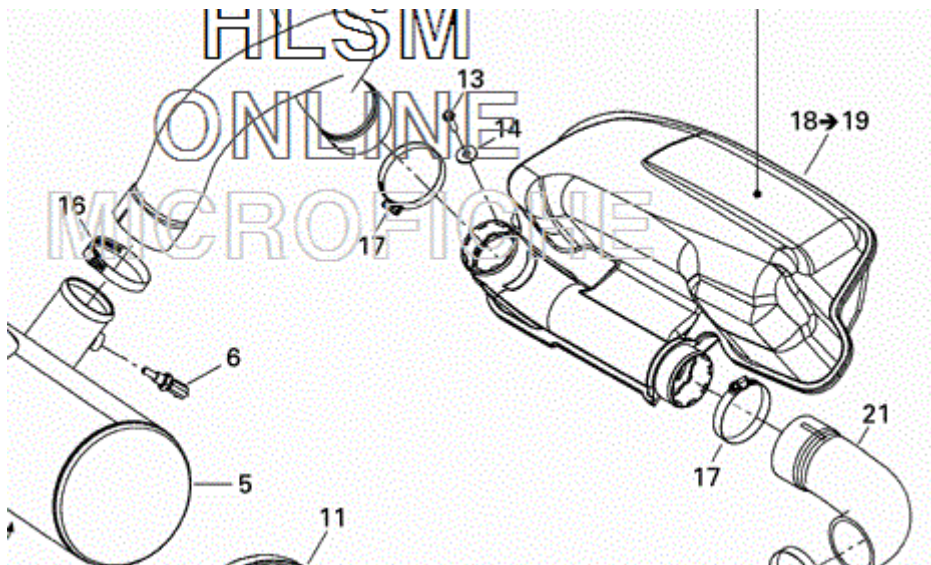
PART # - WR04027

MODELS: All Sea-Doo 4-tec Models 2005+

INSTALLATION INSTRUCTIONS

IMPORTANT: READ ALL INSTRUCTIONS BEFORE PROCEEDING WITH INSTALLATION

- 1- Make sure ski is secure and on a flat surface. Remove lanyard and disconnect battery.
- 2- Remove seat and depending on model Engine cover or Seat Bridge to access rear exhaust baffle.
- 3- Remove front screw or rivet that secures baffle (#13). Remove Hose clamps (#17) and remove baffle.
- 4- Reinstall bypass in place of baffle and use OEM clamps to secure.
- 5- Start and run ski on trailer in water before riding and check for leaks.



Thank you for purchasing **Worx Racing components** products. We firmly believe that **Worx Racing Components** products are among the finest watercraft parts available. A great deal of time and effort has gone into the design and development of this product to ensure that it will perform to the highest standard and that installation is a relatively straight forward and simple procedure. If you have any questions or comments on the performance and/or installation of our products please contact us at the numbers listed on page one or through your local **Worx** dealer.

8B 354 Brisbane Rd Arundel QLD 4214 Phone: +61 7 5563 1031

www.worx.com.au / info@worx.com.au