



**WORX RACING YAMAHA 1.8 Air Filter Kit**  
**PART # - WR04020**

**MODELS: YAMAHA 1.8 SUPERCHARGER MODELS**

---

**INSTALLATION INSTRUCTIONS**

**IMPORTANT: READ ALL INSTRUCTIONS BEFORE PROCEEDING WITH INSTALLATION**

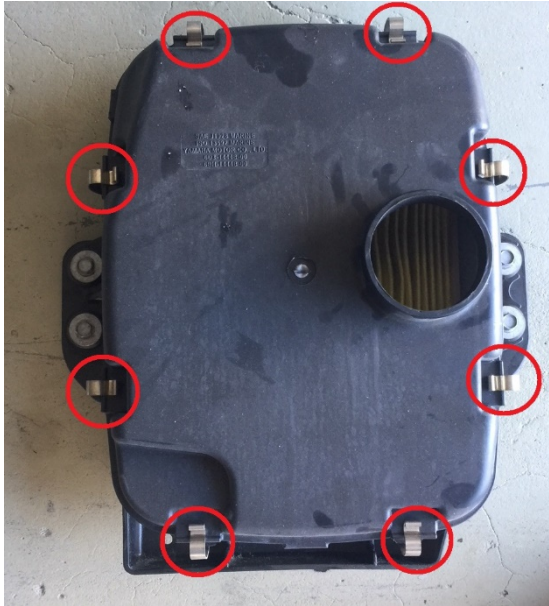
- 1- Make sure ski is secure and on a flat surface. Remove lanyard and disconnect battery.
- 2- Remove vent hose from intake hose and turn 180 degrees so it faces towards rear of ski. Remove OEM hose between stock airbox and Supercharger. Retain OEM hose clamp on supercharger. Remove OEM air box front cover by unclipping 8 retaining clips (2 on each side of box). **(#1)** Remove front of box from ski.
- 3- Remove 2 M8 bolts securing rear air box housing. Slide OEM air box toward rear of ski to remove from front mounting point. Remove from ski.
- 4- Remove 4 nuts **(#2)** securing OEM Airbox mounting bracket from ski. Remove bracket from ski.
- 5- Loosely fit supplied bracket to filter adaptor using m6 bolt and washer. Make sure bracket is fitted as per picture. **(#3,#4,#5)**
- 6- Secure 4-inch air filter to front of adaptor with supplied hose clamp.
- 7- Secure air filter hose to rear of adaptor with supplied hose clamp.
- 8- Remove nut from seat base locator from inside hull. **(#6,#7)**
- 9- Fit complete filter unit into ski. Use OEM clamp off charger on hose. Fit air filter hose directly onto supercharger. Twist hose up and secure bracket onto seat base mount with OEM brass nut and secure.
- 10- Adjust adaptor on bracket so air filter hose does crease or bend.
- 11- Tighten bolt holding filter adaptor to bracket.
- 12- Tighten clamp on air filter hose securing it onto supercharger. **(#9)**
- 13- Fit Breather filter into breather hose with adaptor supplied.
- 14- Secure breather hose to arm for engine cover with zip tie. **(#10)**
- 15- Check all clamps and bolts are secure. Run ski on flusher and check for any boost leaks.
- 16- Water test ski and check after first few minutes.

Thank you for purchasing **Worx Racing components** products. We firmly believe that **Worx Racing Components** products are among the finest watercraft parts available. A great deal of time and effort has gone into the design and development of this product to ensure that it will perform to the highest standard and that installation is a relatively straight forward and simple procedure. If you have any questions or comments on the performance and/or installation of our products please contact us at the numbers listed on page one or through your local **Worx** dealer.

8B 354 Brisbane Rd Arundel QLD 4214 Phone: +61 7 5563 1031

[www.worx.com.au](http://www.worx.com.au) / [info@worx.com.au](mailto:info@worx.com.au)

---



#1



#2



#3



#4



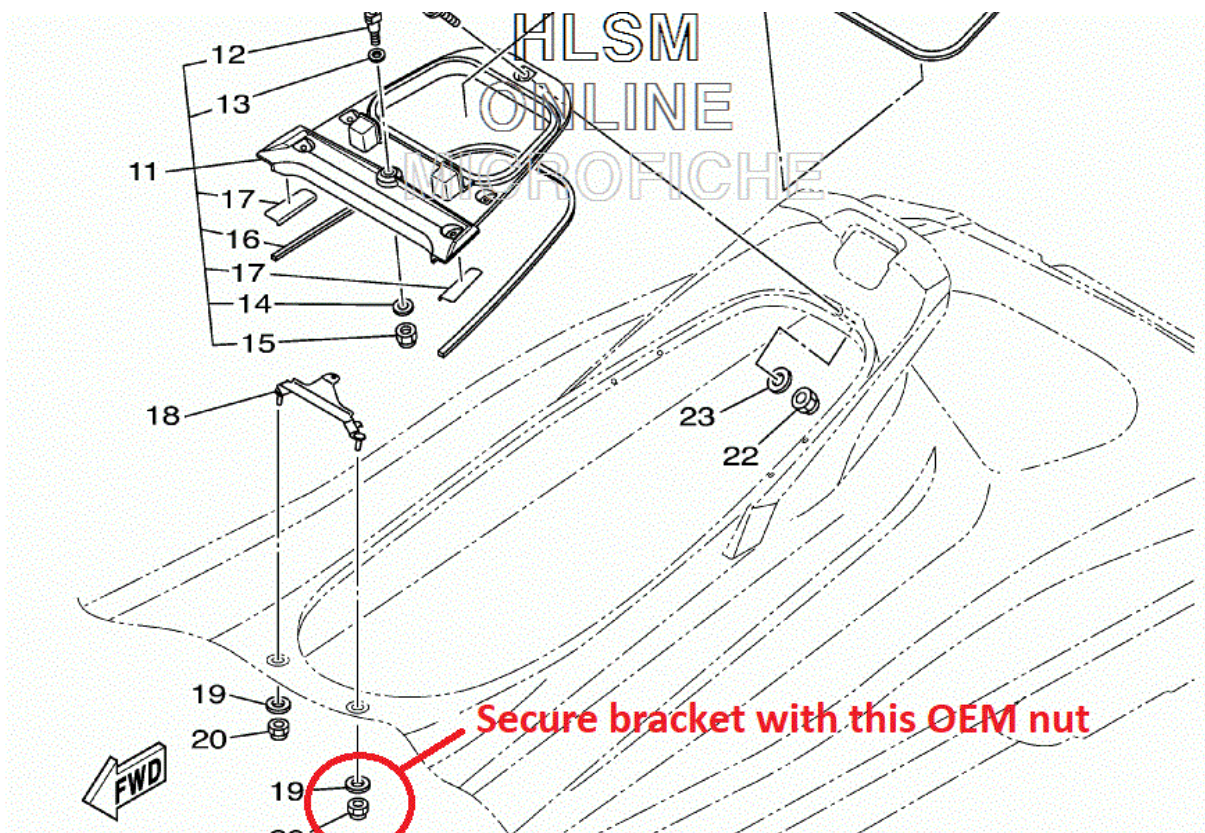
#5



#6



#7

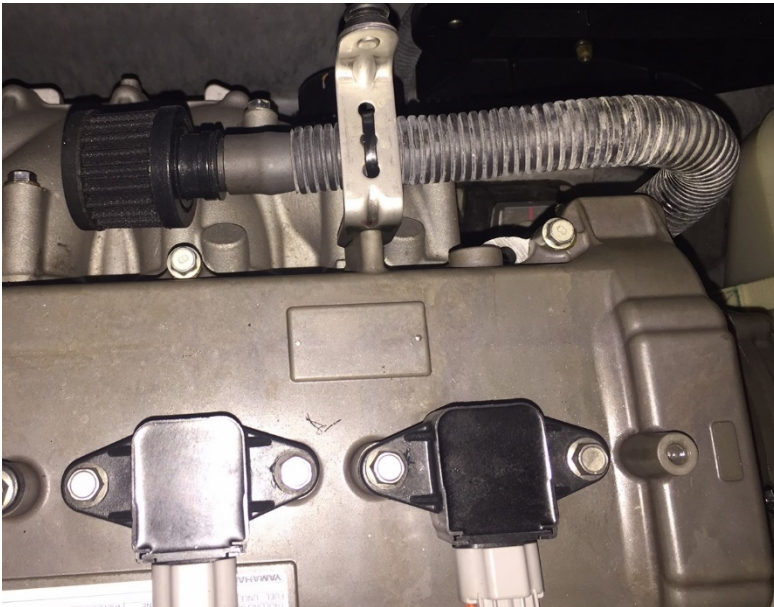




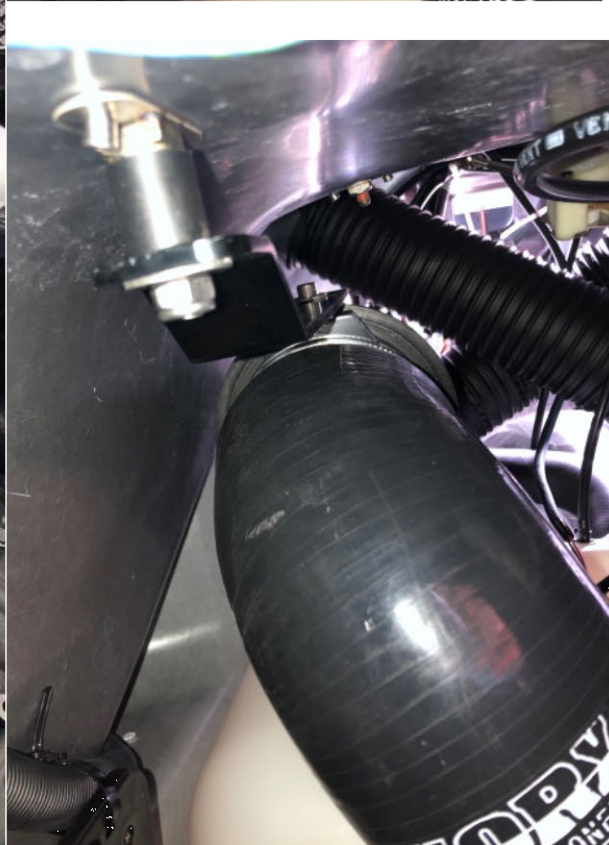
#8



#9



#10



2019+ FX