



WINDOW PANEL ROTOPAX MOUNT

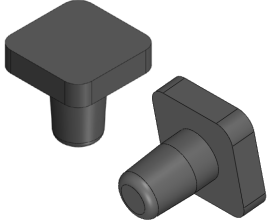
I N S T A L L I N S T R U C T I O N S

HARDWARE CHECKLIST

Exact hardware color counts may vary based on the options selected at checkout.

4

Vibration dampers



4

1/4"-20 Hex bolt
(3/4")



4

1/4"-20 Nylock nut



8

1/4" Washer



Before you start

It is suggested that all accessories are installed while the window panel is off of the vehicle. This makes the process of positioning and fastening the accessory much easier.

Setup

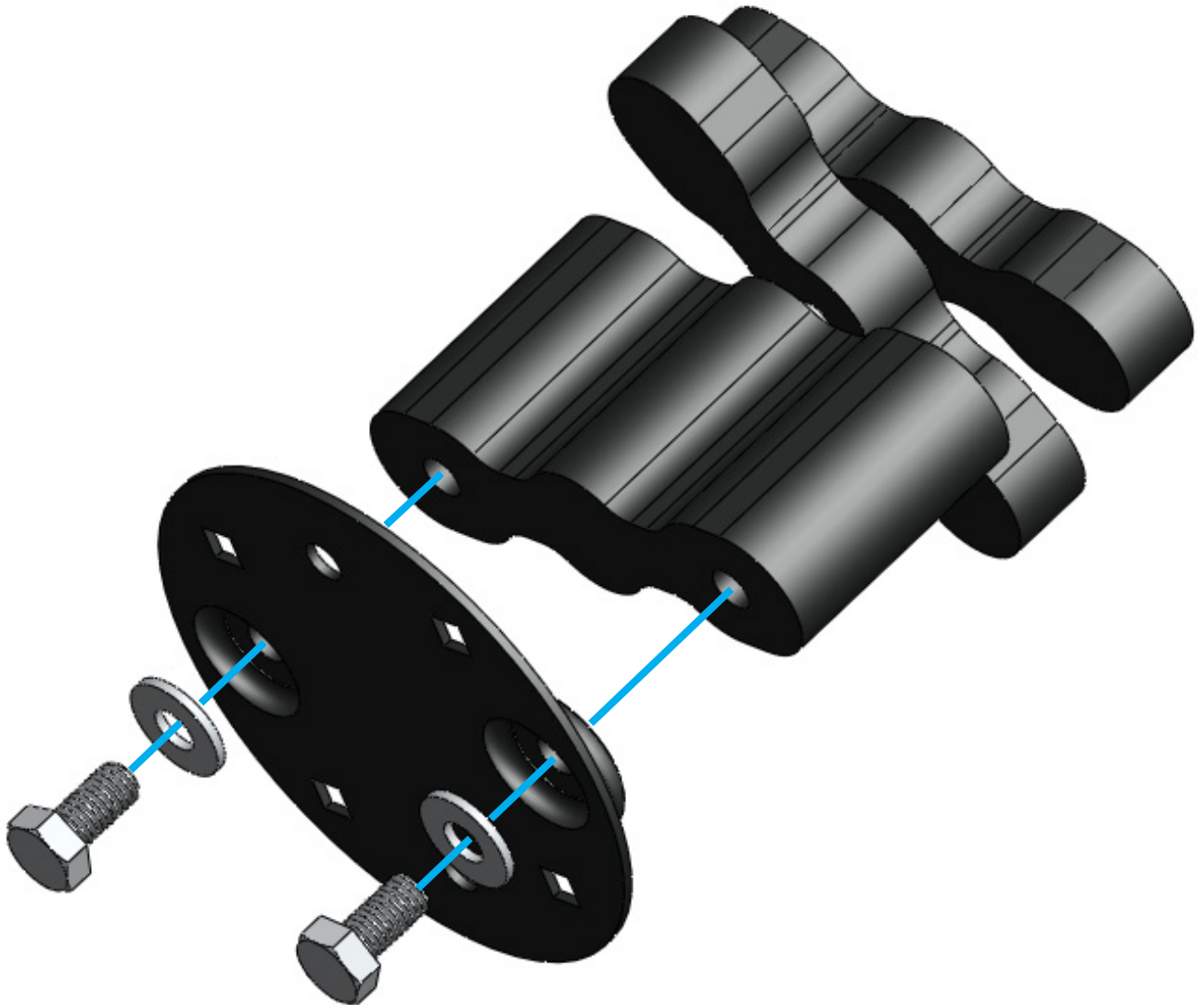
Required Components:

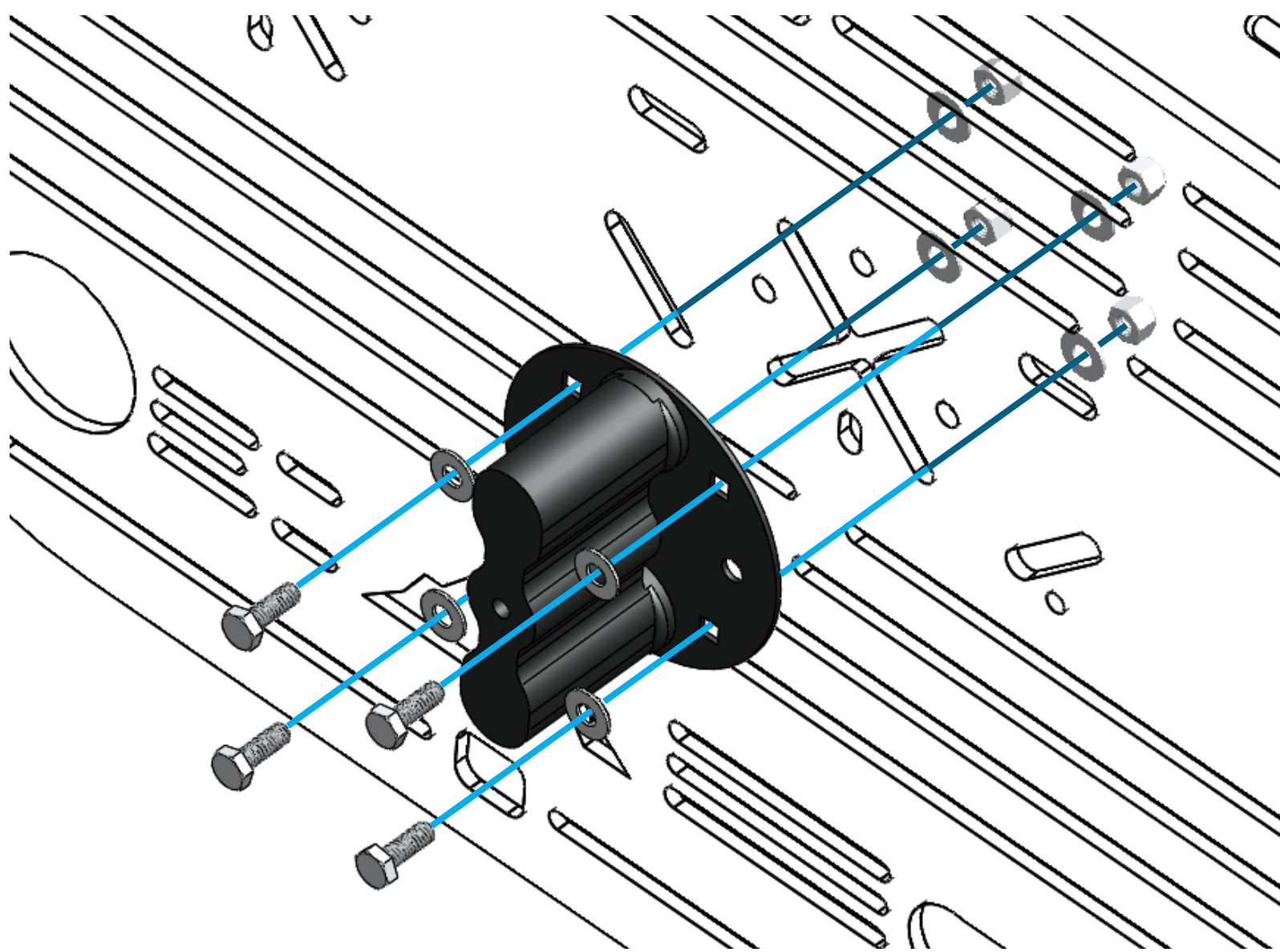
4x Rotopax flat washers

4x Rotopax nylock nuts

1x Rotopax Standard/DLX/LOX

If the bottom mounting plate supplied with all standard/DLX/LOX Rotopax mounts is not already installed, do so using the 2x M8 x 12mm bolts supplied by Rotopax.





Assembly 01

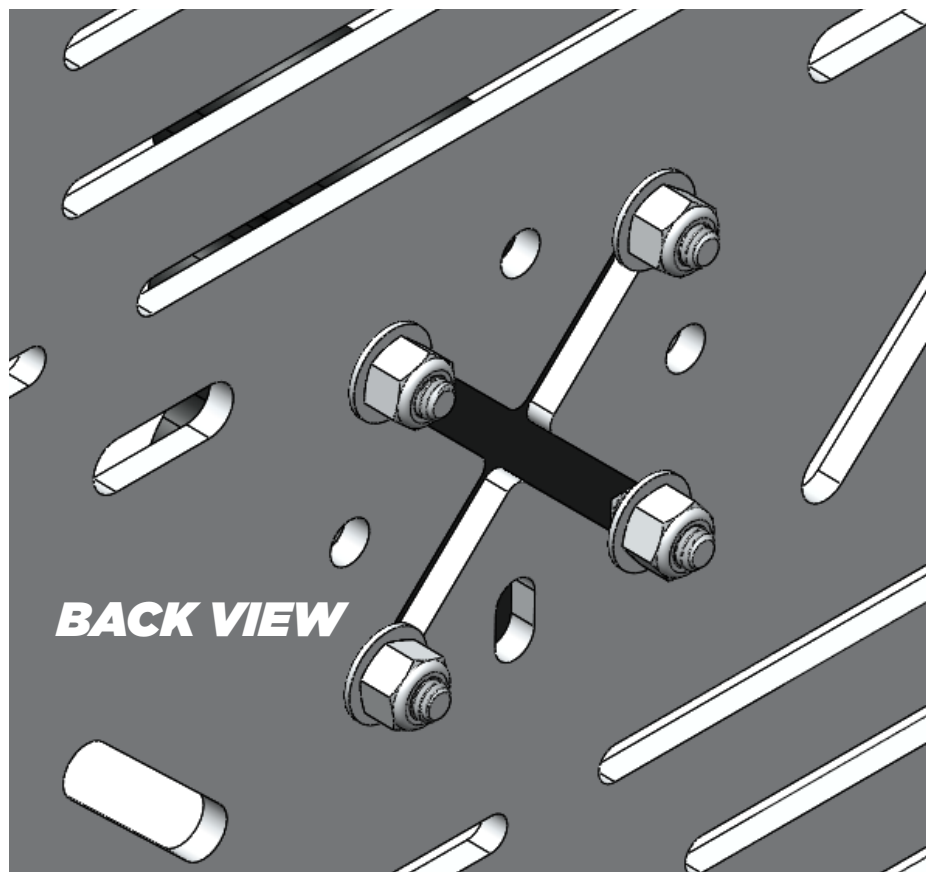
Required Components:

4x 1/4"-20 x 3/4" Hex bolt

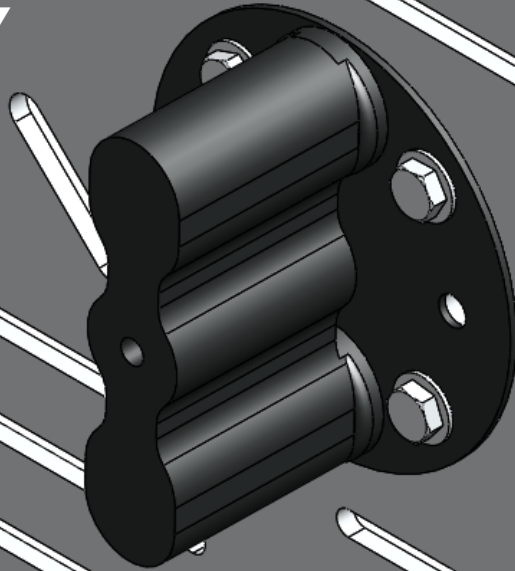
8x 1/4" Flat Washers

4x Nylock nuts

Secure the rotopax assembly to the window panel using the supplied hex bolts, nuts, and flat washers. Each bolt should sit at the ends of the X-pattern on the window panel.

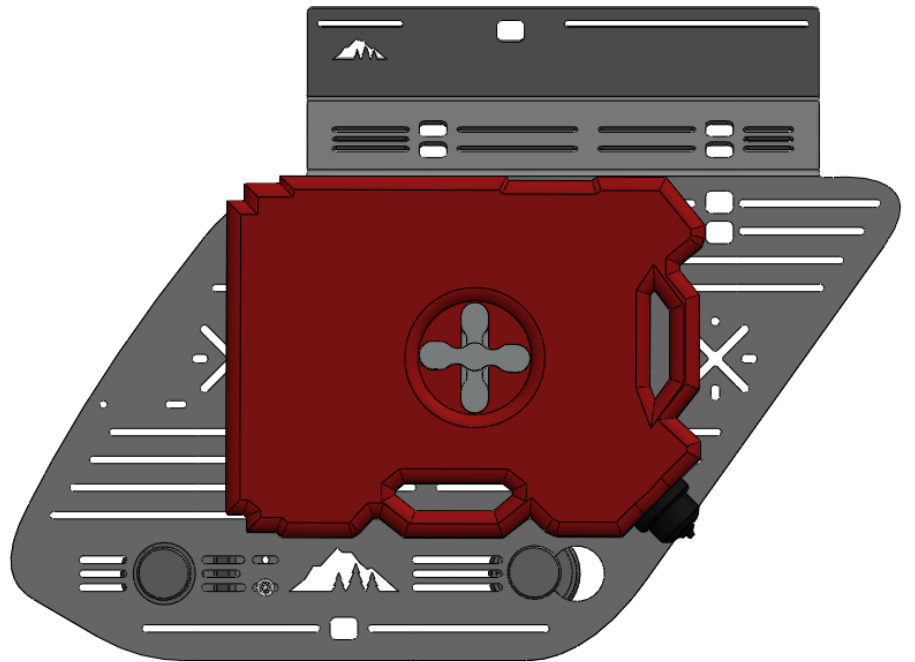


FRONT VIEW



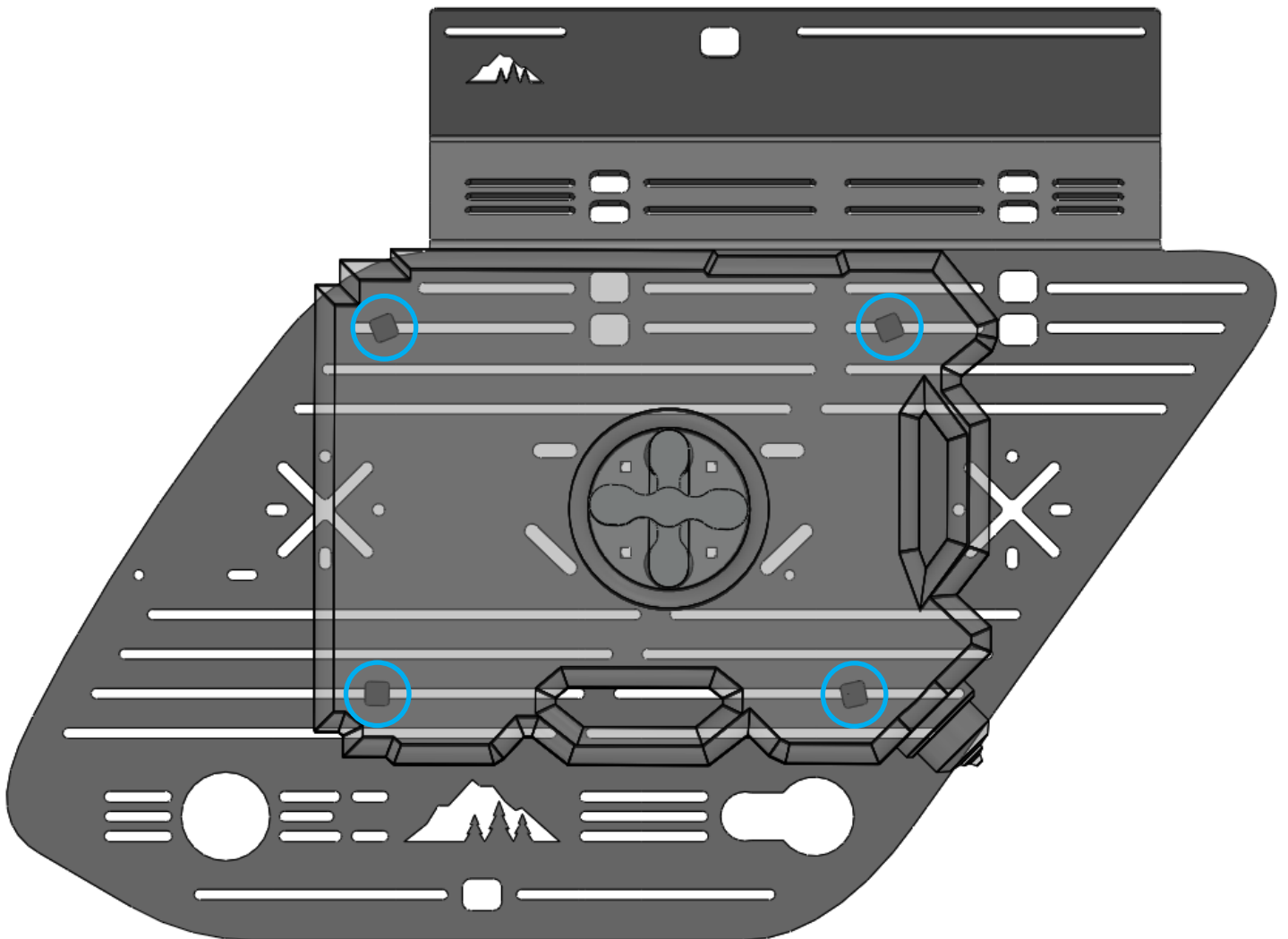
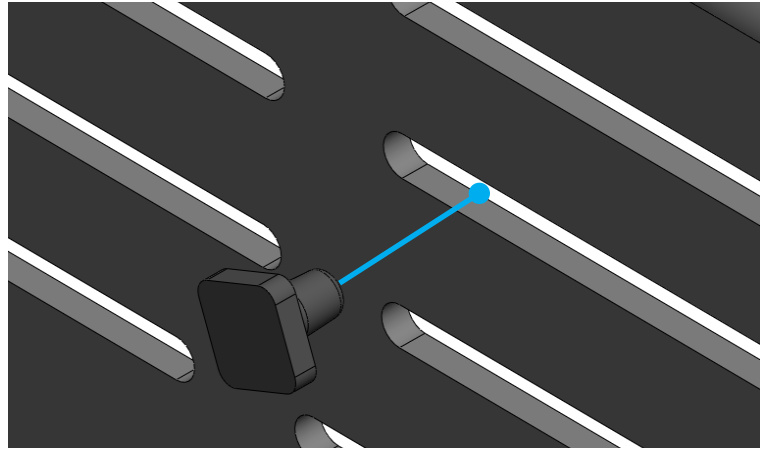
Assembly 02

Slide the Rotopax container over the base and screw the supplied handle in to secure the Rotopax container.



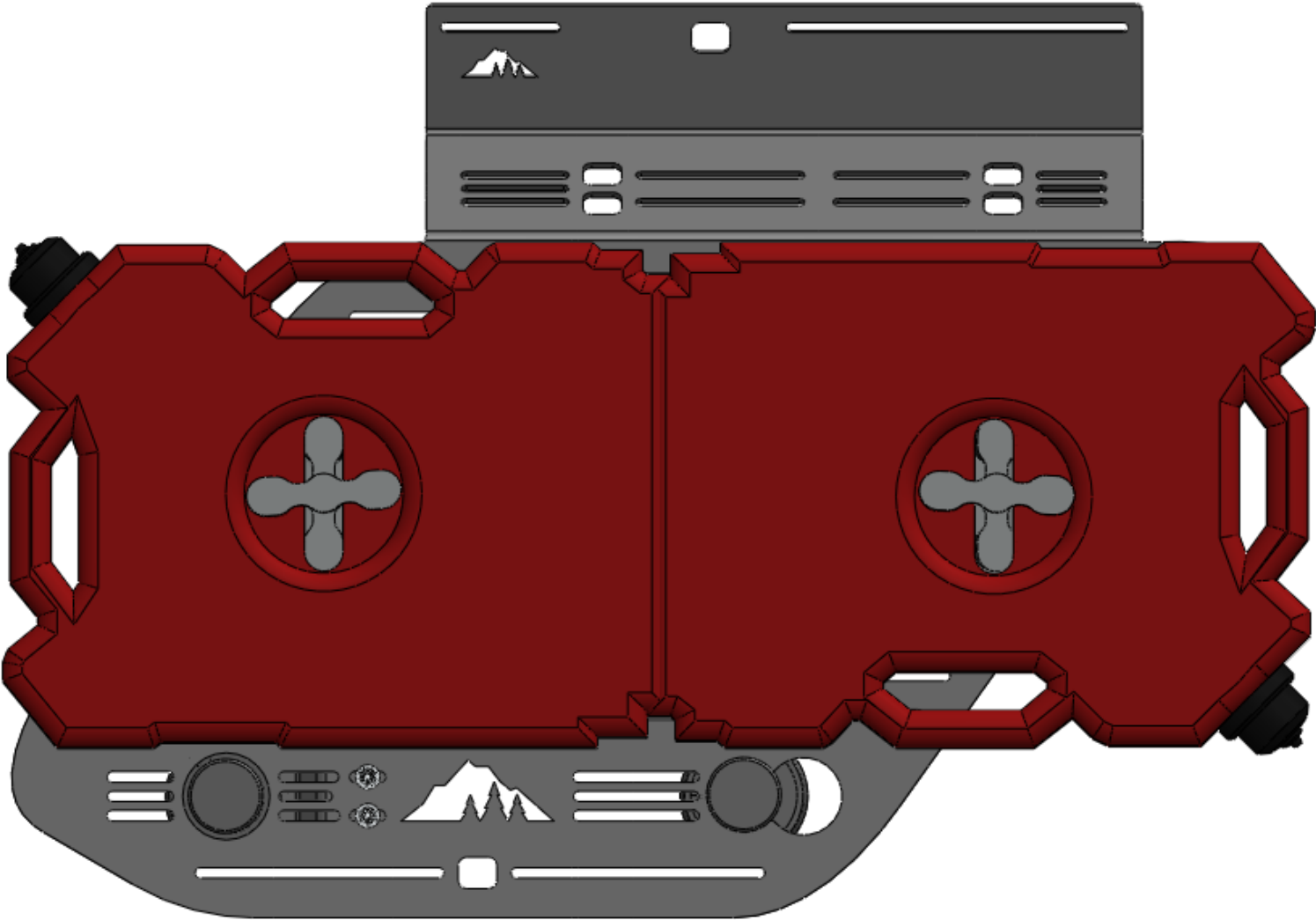
Assembly 03

Once the Rotopax container is situated, lift it back off of the panel slightly and install the supplied vibration dampening plugs through the slots in the **four corners** of contact between the container and the panel.



Assembly 04

Repeat the installation process in the two outer Rotopax mounting locations on the panel if you plan to use 2x 2 gallon containers, or 1x 4 gallon container.



EXPLORE.

All products built and designed by Sherpa Equipment Company are intended for off-road use and should be assembled, installed, and used according to Sherpa Equipment Company's recommendations. Sherpa Equipment Companies products should be used safely with good judgment towards others and surroundings.

By installing Sherpa Equipment Companies products on your vehicle you assume all liability. Sherpa Equipment Company will not be held liable for damages or loss associated with the installation or use of its products. It is recommended that you inspect your roof rack within the first 100 miles of installation and every 500 miles after.