



TRACTION BOARD MOUNTS

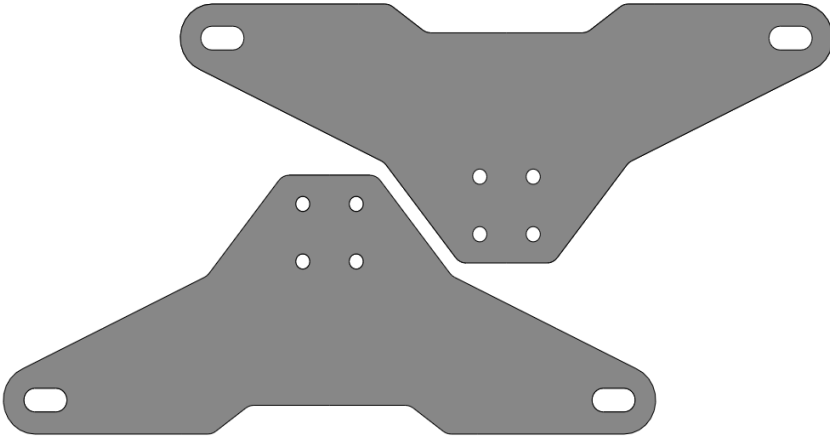
I N S T A L L I N S T R U C T I O N S

HARDWARE CHECKLIST

Exact hardware color counts may vary based on the options selected at checkout.

2

Sherpa Traction Board Mounts



8

1/4"-20 Socket Button
(1/2")



8

1/4"-20 Tnut

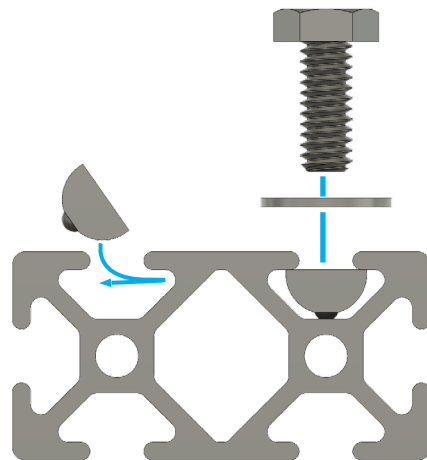


8

1/4" Washer

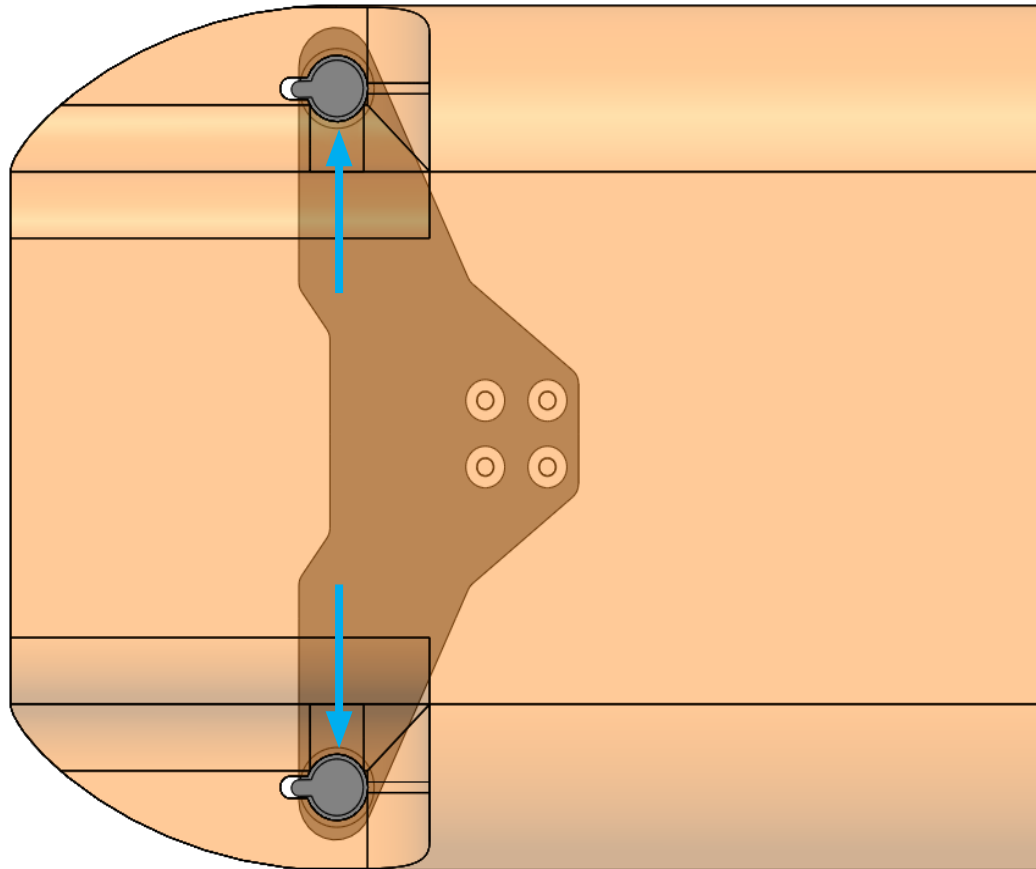
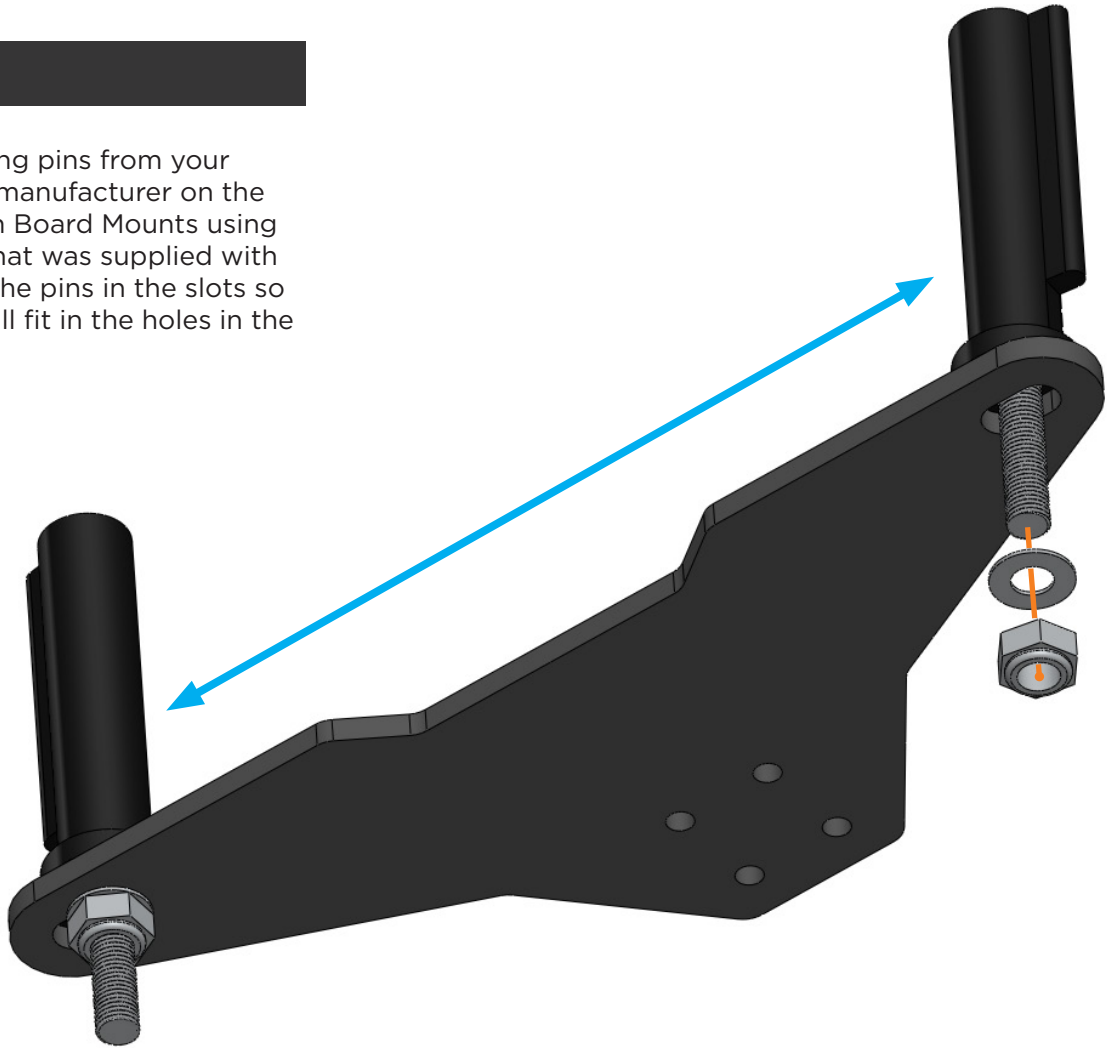


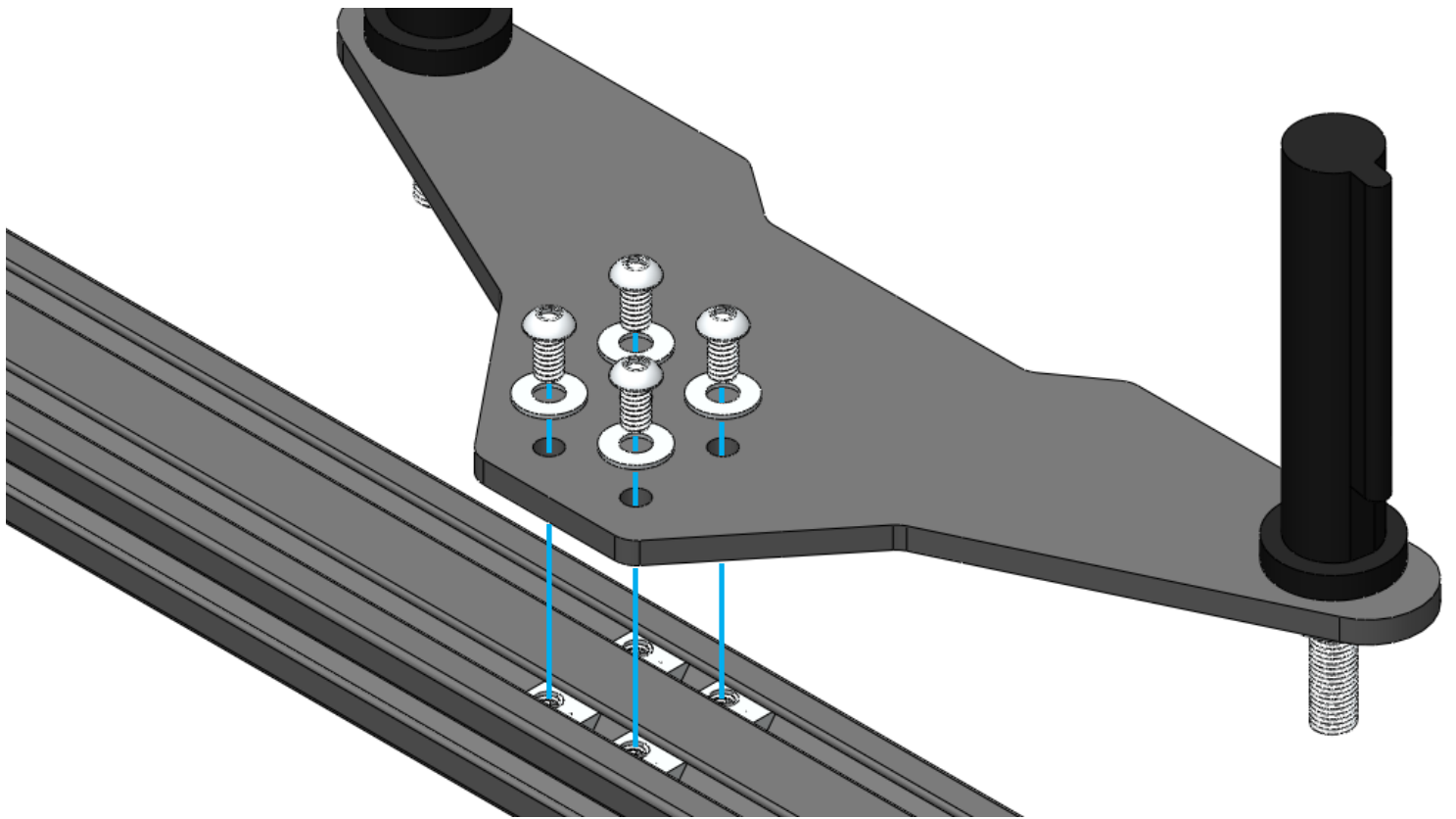
USING TNUTS



Setup

Install the locking pins from your traction board manufacturer on the Sherpa Traction Board Mounts using the hardware that was supplied with the kit. **Adjust** the pins in the slots so that the pins will fit in the holes in the traction board.





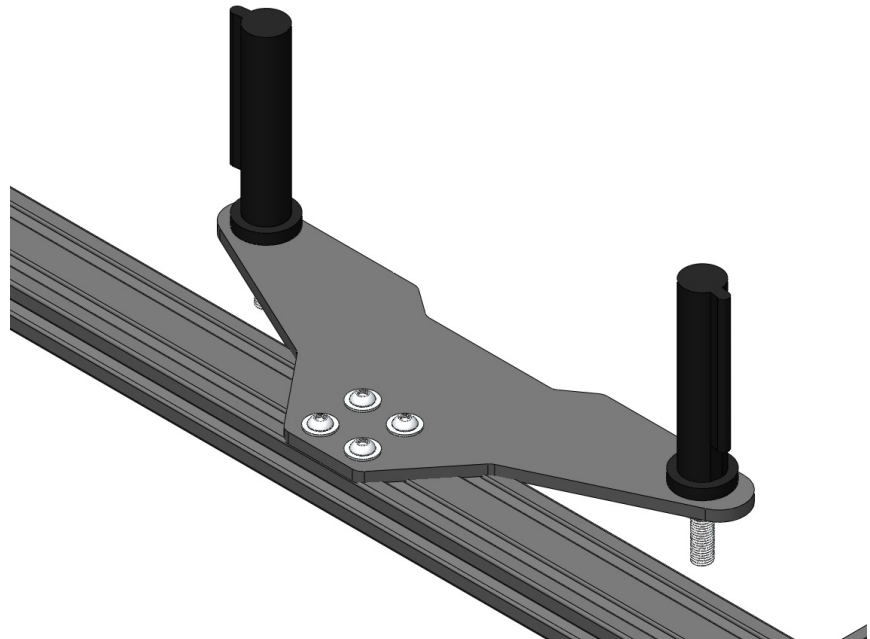
Install 01

Required Components:

- 8 1/4"- 20 x 1/2" Socket button
- 8 1/4"- 20 Tnut
- 8 1/4" Flat washer

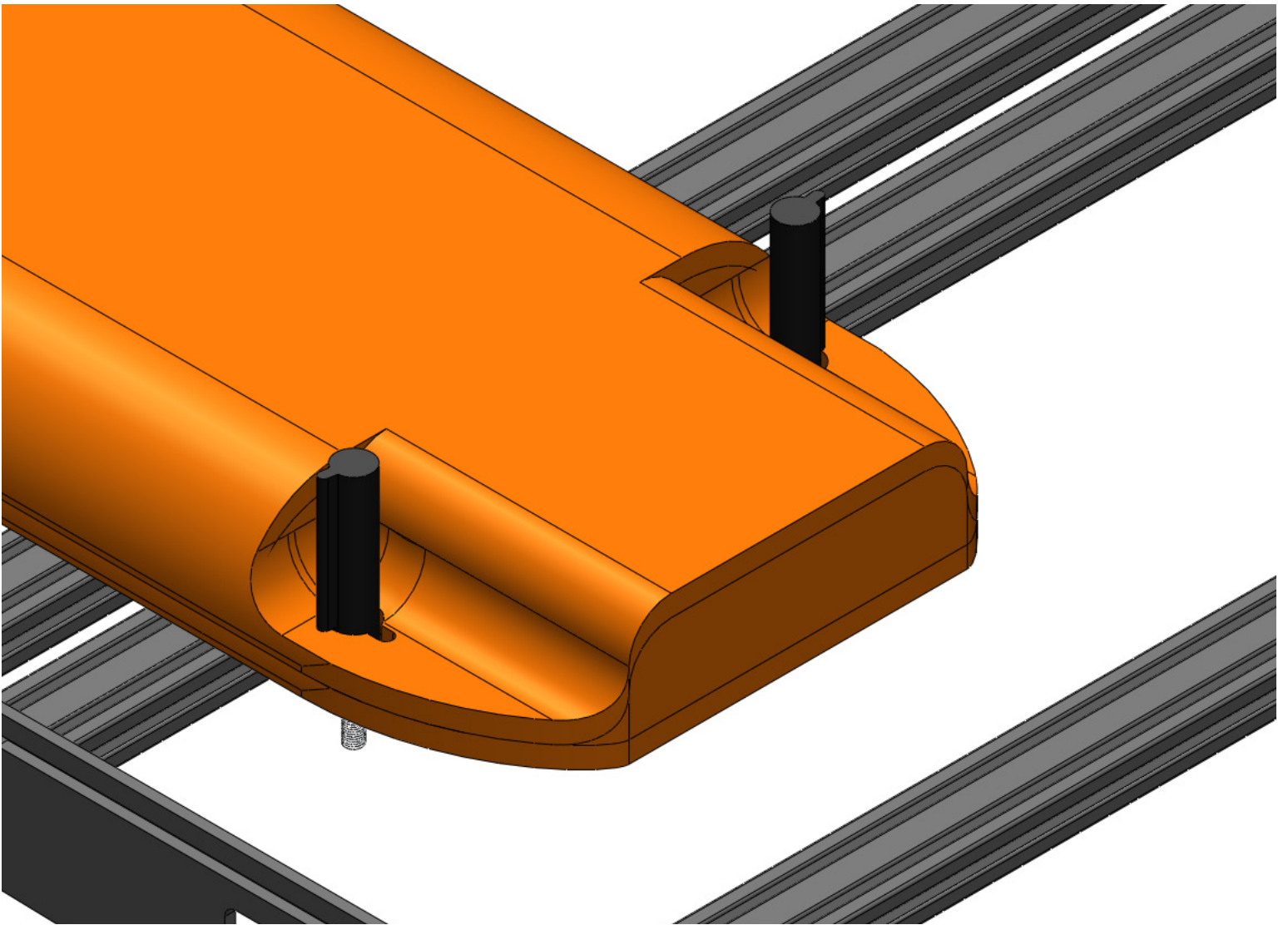
Insert four Tnuts into the top slots of a cross member. Secure the Sherpa Traction Board Mount to the cross member with the 1/2" socket buttons and washers.

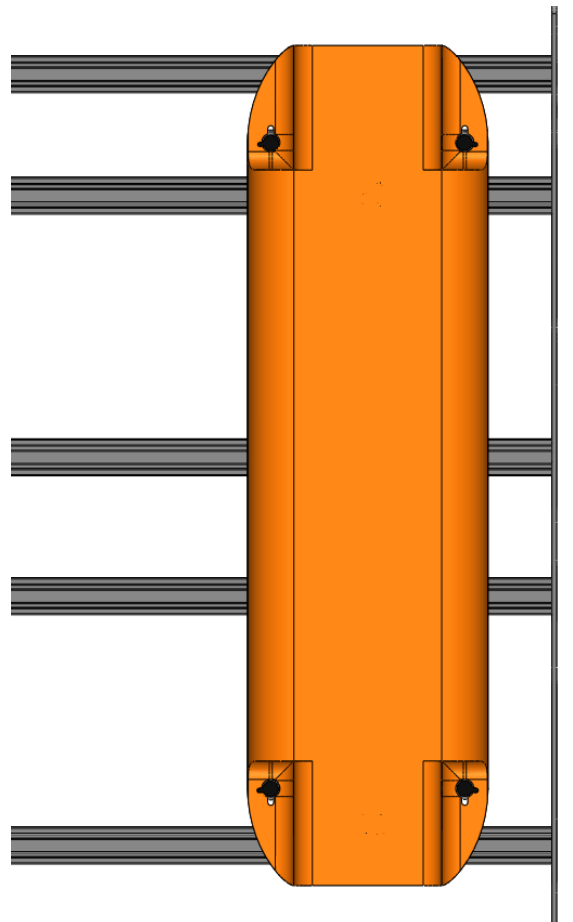
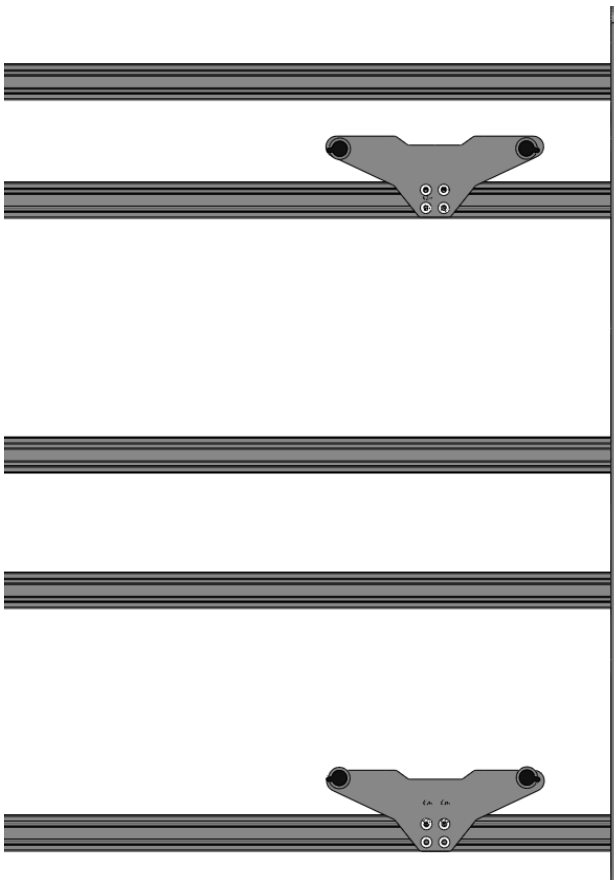
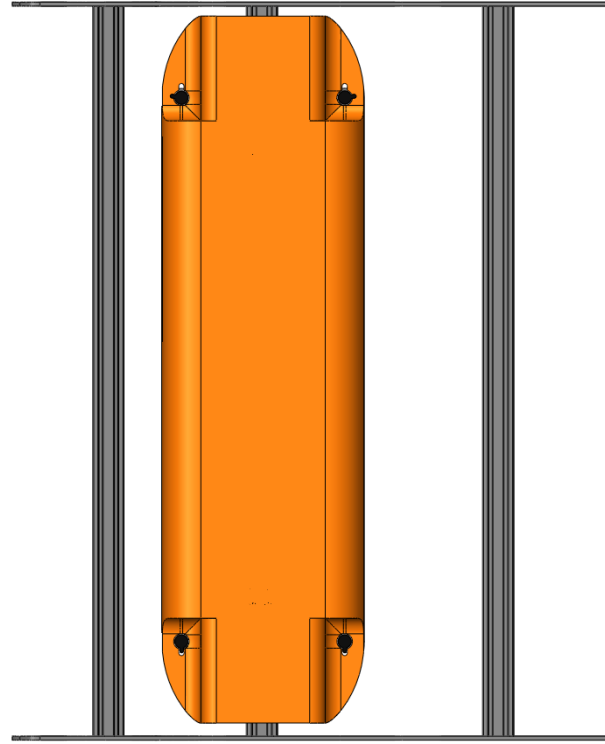
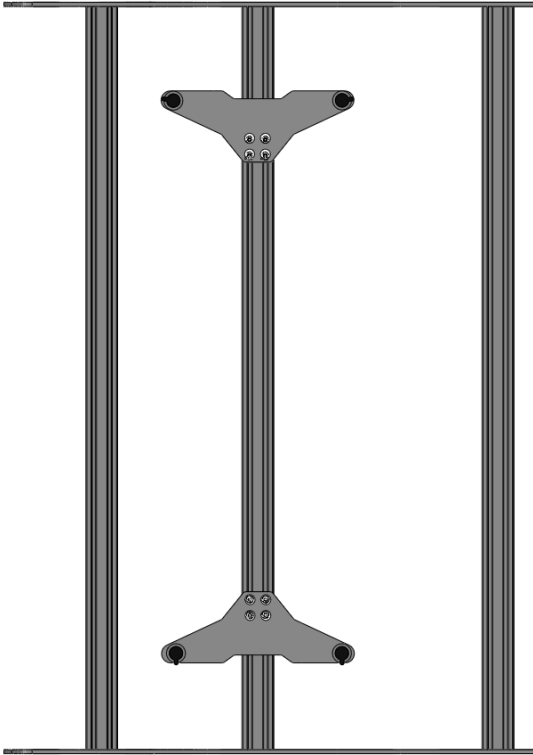
Repeat this process for the other traction board mount. Note that the mounts do not necessarily have to face the same direction, as long as the pins will line up with the holes in the traction board. This can be useful if the cross member is being shared by another accessory.

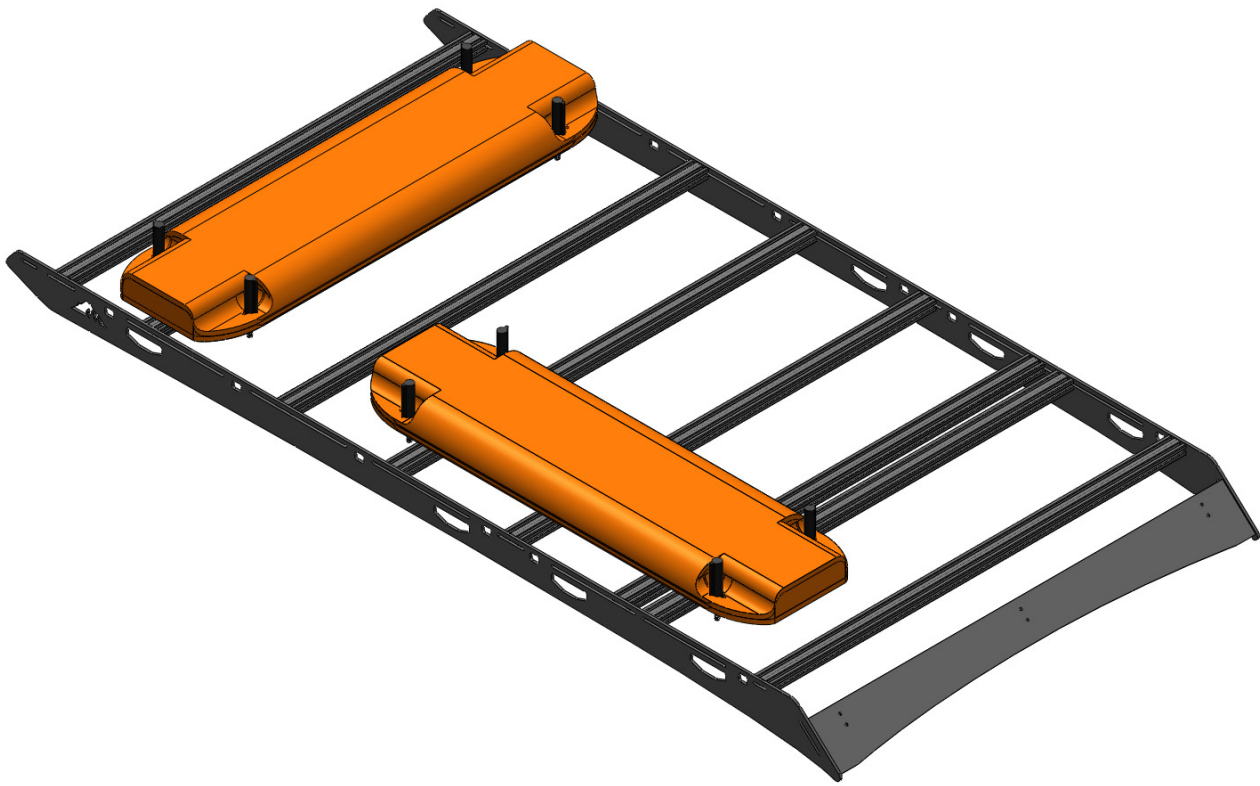


Install 02

Place your traction board over the pins to ensure fitment. If the pins do not fall into the holes in the traction board, make the appropriate adjustments in the crossbar, mount, or pins as necessary.







EXPLORE.

All products built and designed by Sherpa Equipment Company are intended for off-road use and should be assembled, installed, and used according to Sherpa Equipment Company's recommendations. Sherpa Equipment Companies products should be used safely with good judgment towards others and surroundings.

By installing Sherpa Equipment Companies products on your vehicle you assume all liability. Sherpa Equipment Company will not be held liable for damages or loss associated with the installation or use of its products. It is recommended that you inspect your roof rack within the first 100 miles of installation and every 500 miles after.