



ROTOPAX MOUNT

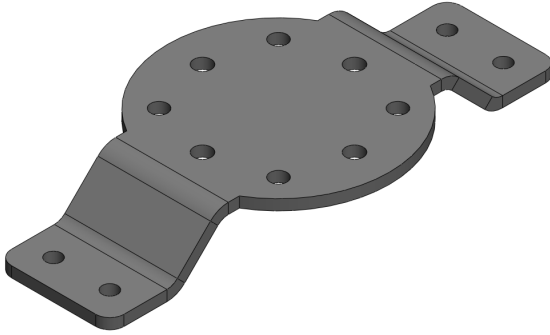
I N S T A L L I N S T R U C T I O N S

HARDWARE CHECKLIST

Exact hardware color counts may vary based on the options selected at checkout.

1

Sherpa Rotopax
Mount



4

1/4"-20 Socket Button
(1/2")



4

1/4"-20 Tnut

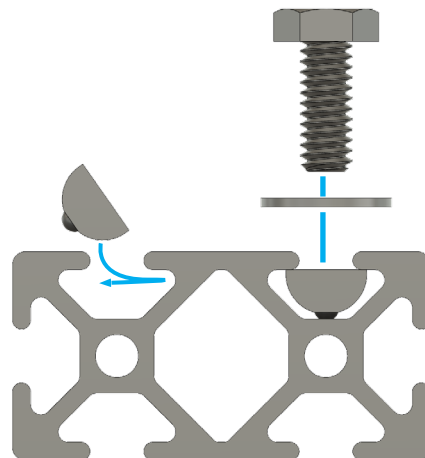


4

1/4" Washer



USING TNUTS



Setup

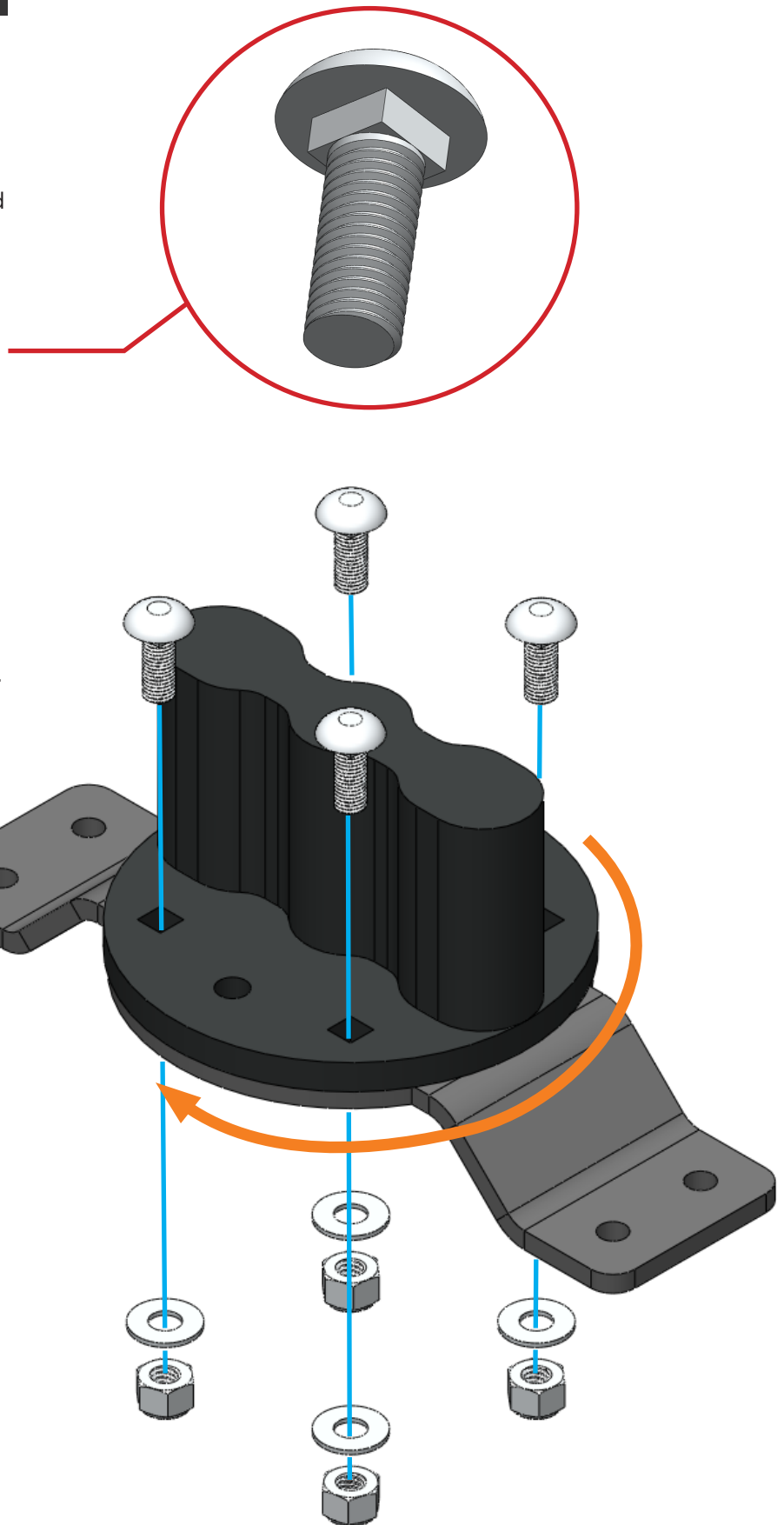
Required Components:

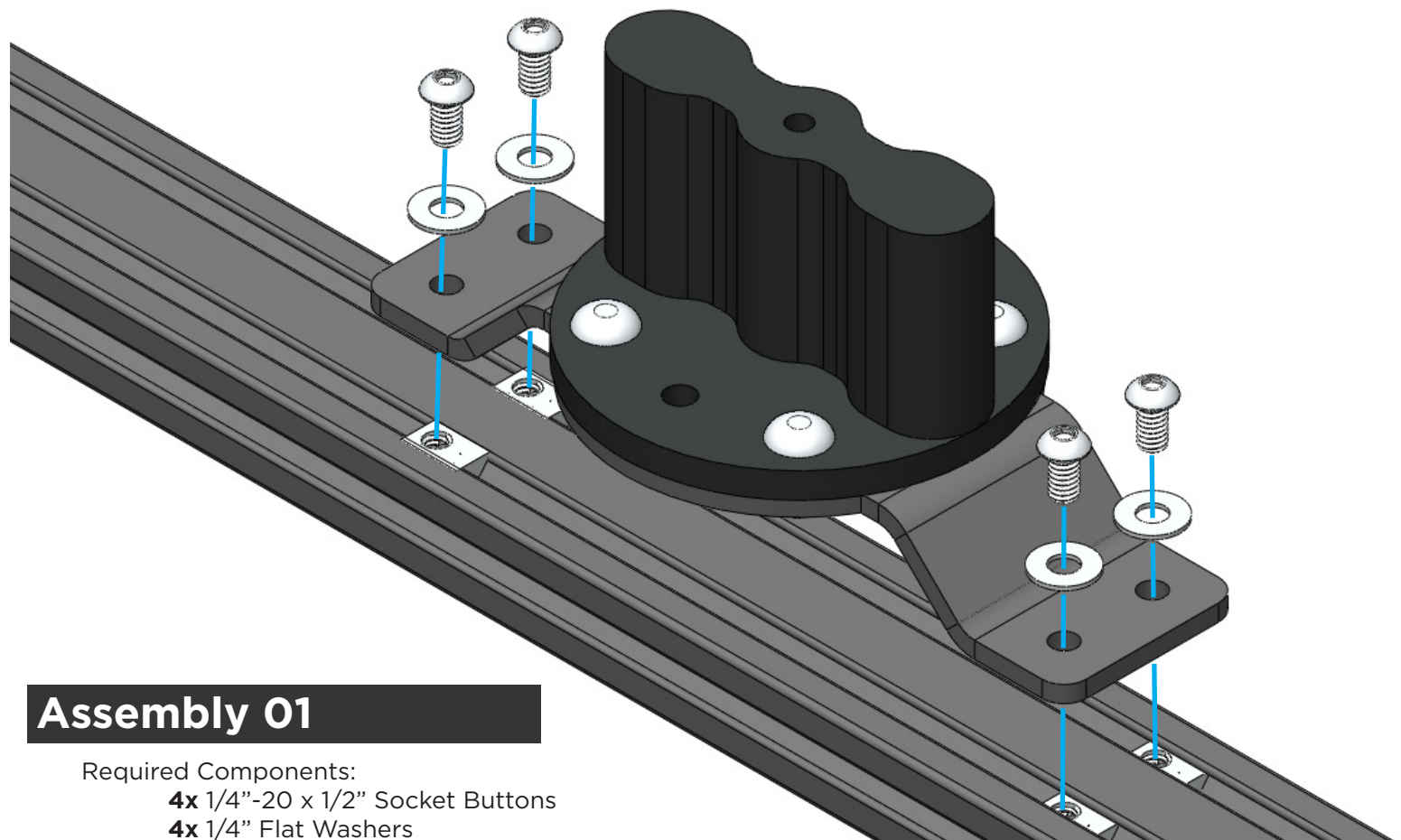
- 4x Rotopax carriage bolts
- 4x Rotopax flat washers
- 4x Rotopax nylock nuts
- 1x Rotopax Standard/DLX/LOX

If the bottom mounting plate supplied with all standard/DLX/LOX Rotopax mounts is not already installed, do so using the 2x M8 x 12mm bolts supplied by Rotopax.

Using the 4x carriage bolts (distinguished by the square feature on the bottom side of the bolt head), flat washers, and nylock hex nuts supplied by Rotopax, fasten the Rotopax mount to the Sherpa mount as shown in the picture.

Note the orientation of the Rotopax handle. It can be rotated by 90° in order to change the orientation of the Rotopax container once mounted. Alternatively, the mount itself can be mounted 90° once on the roof rack if desired, although this requires multiple cross members.

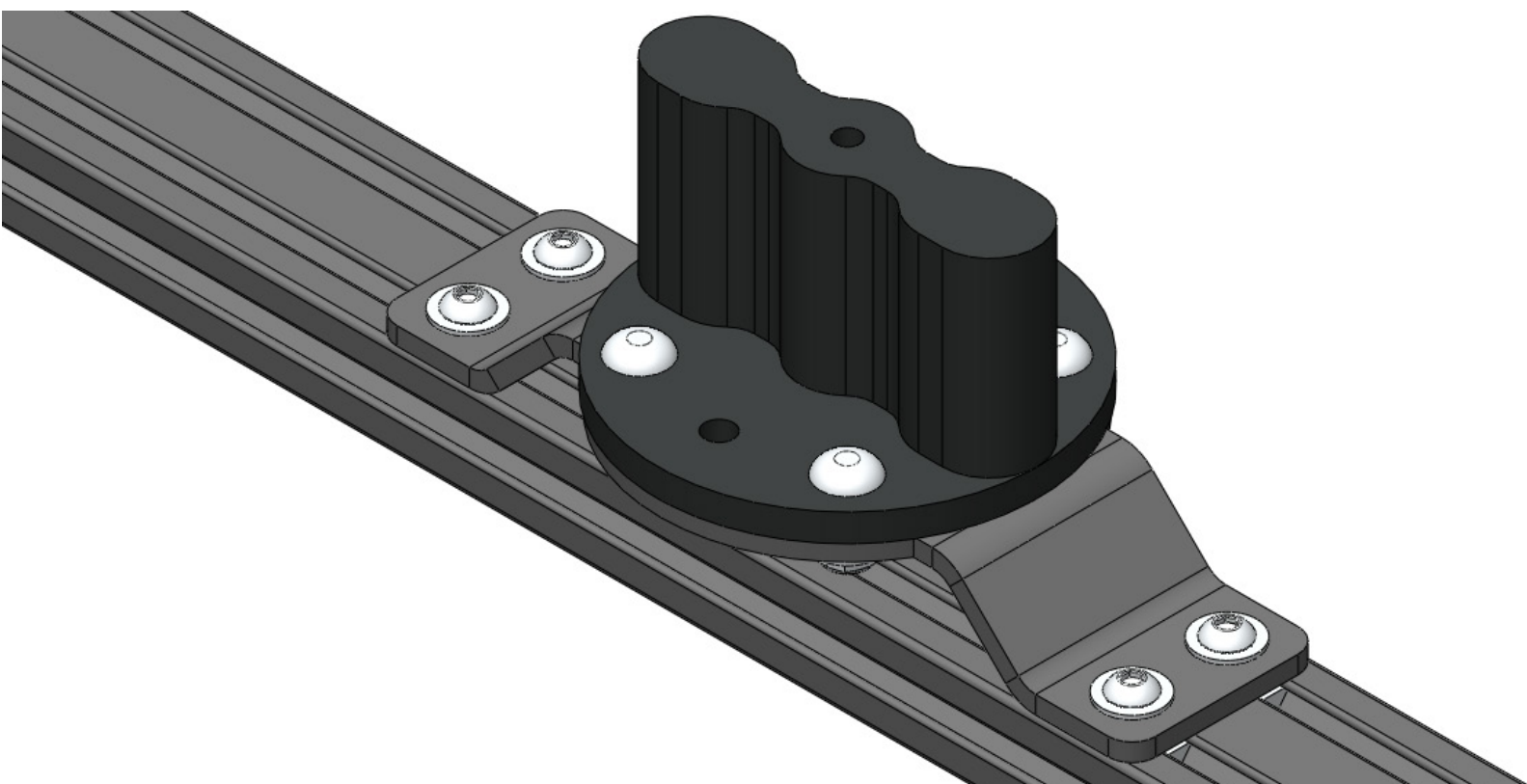




Assembly 01

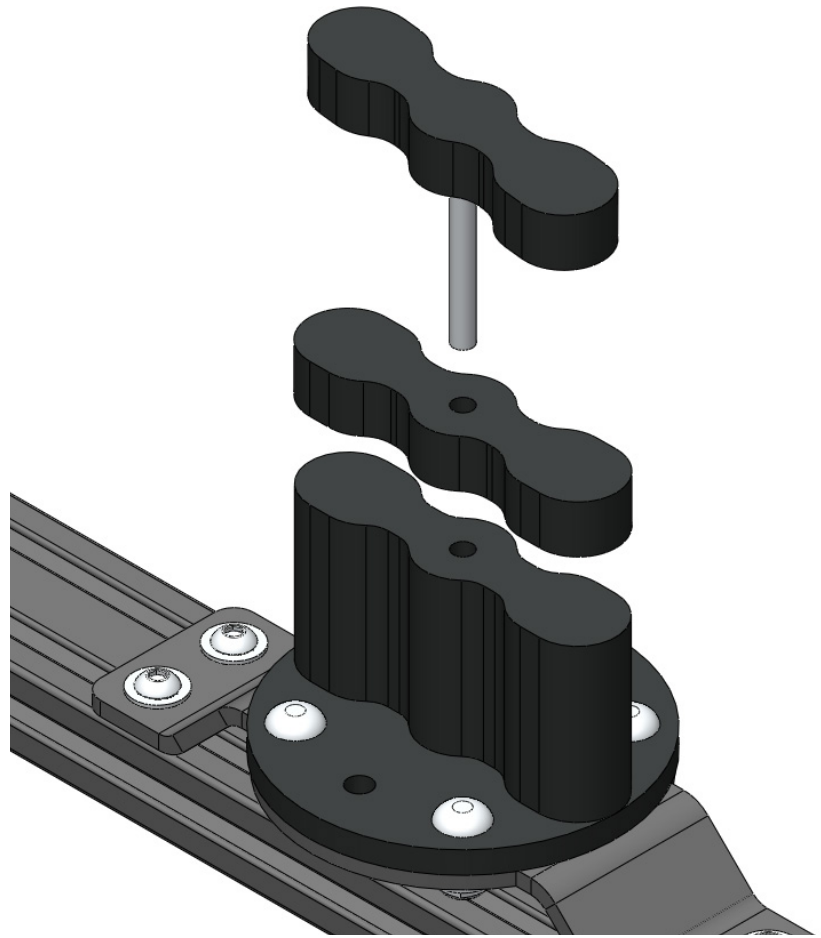
- Required Components:
- 4x 1/4"-20 x 1/2" Socket Buttons
 - 4x 1/4" Flat Washers
 - 4x Nuts

Drop the supplied nuts into the slots on a cross member and line them up below the holes in the bottom flanges of the Sherpa Rotopax mount. The 1/4-20" x 1/2" socket buttons and washers are then inserted and tightened down to secure the mount.



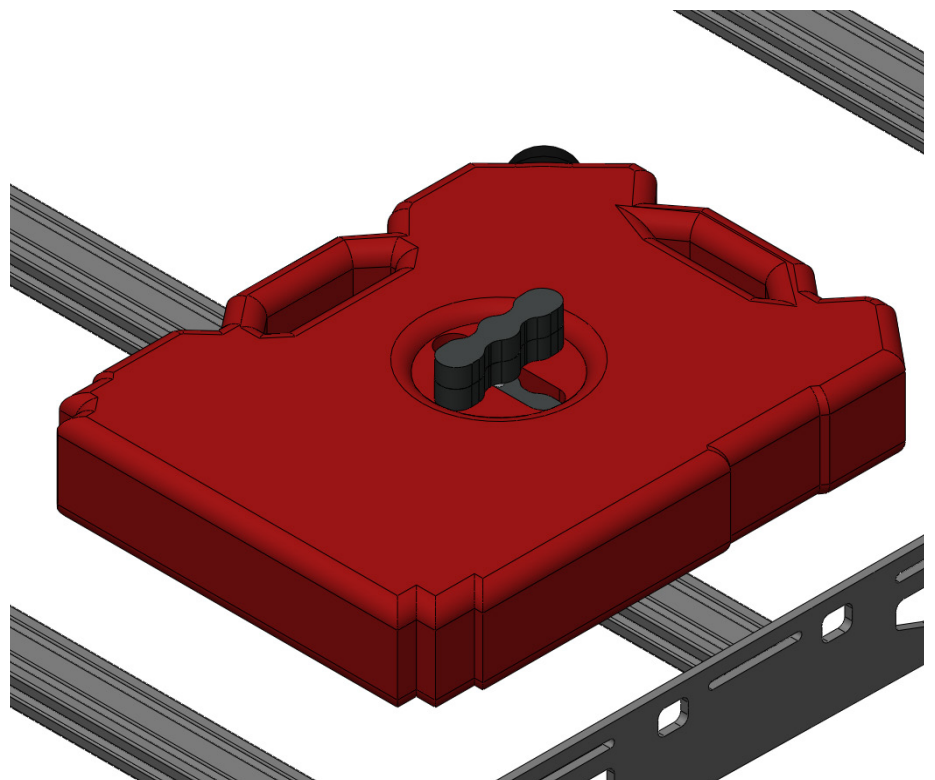
Assembly 02

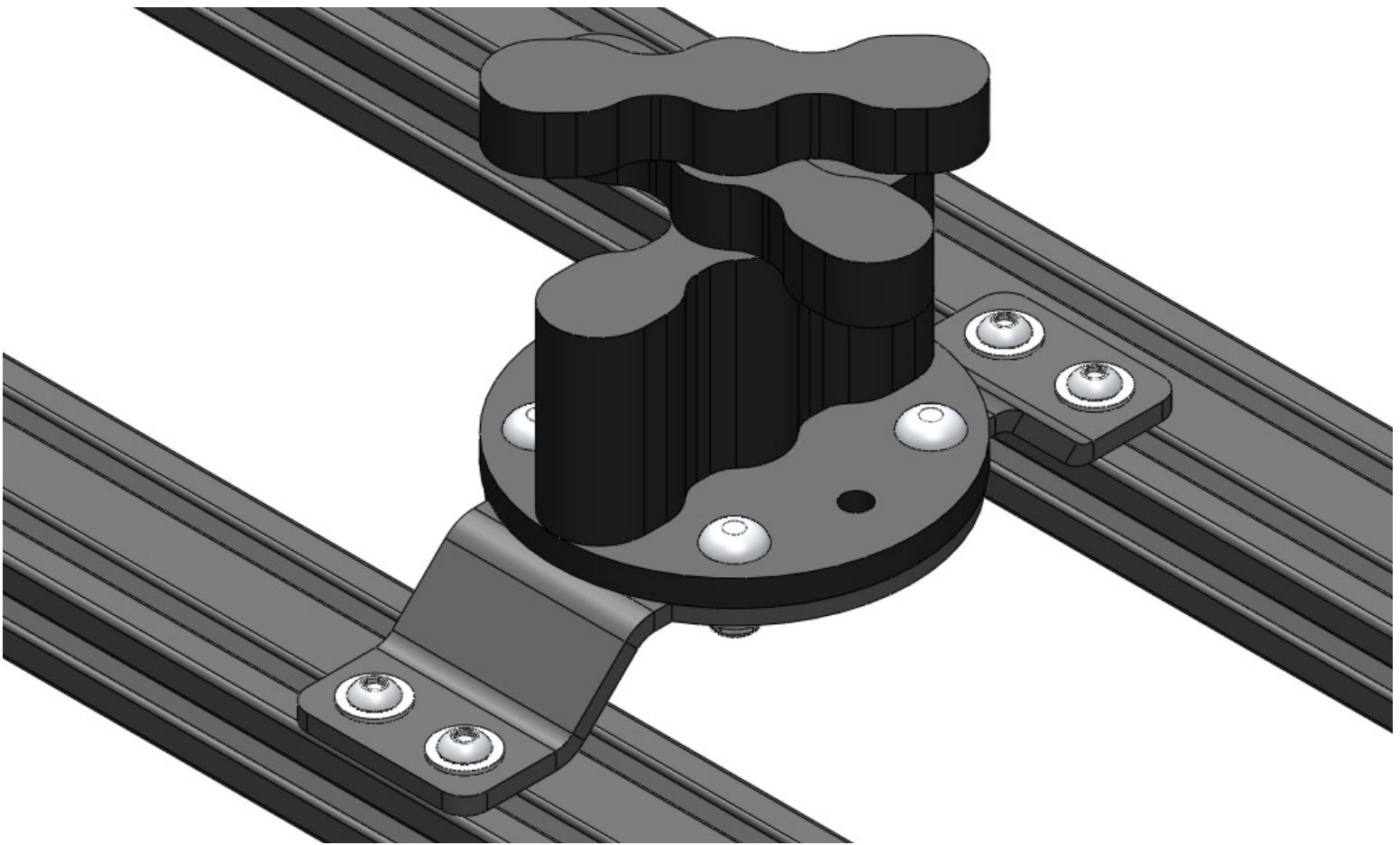
Install the threaded T-Handle included with the Rotopax Mount kit by threading in the handle a few turns. The DLX and LOX pack will include a second collar that the T-Handle fits through.



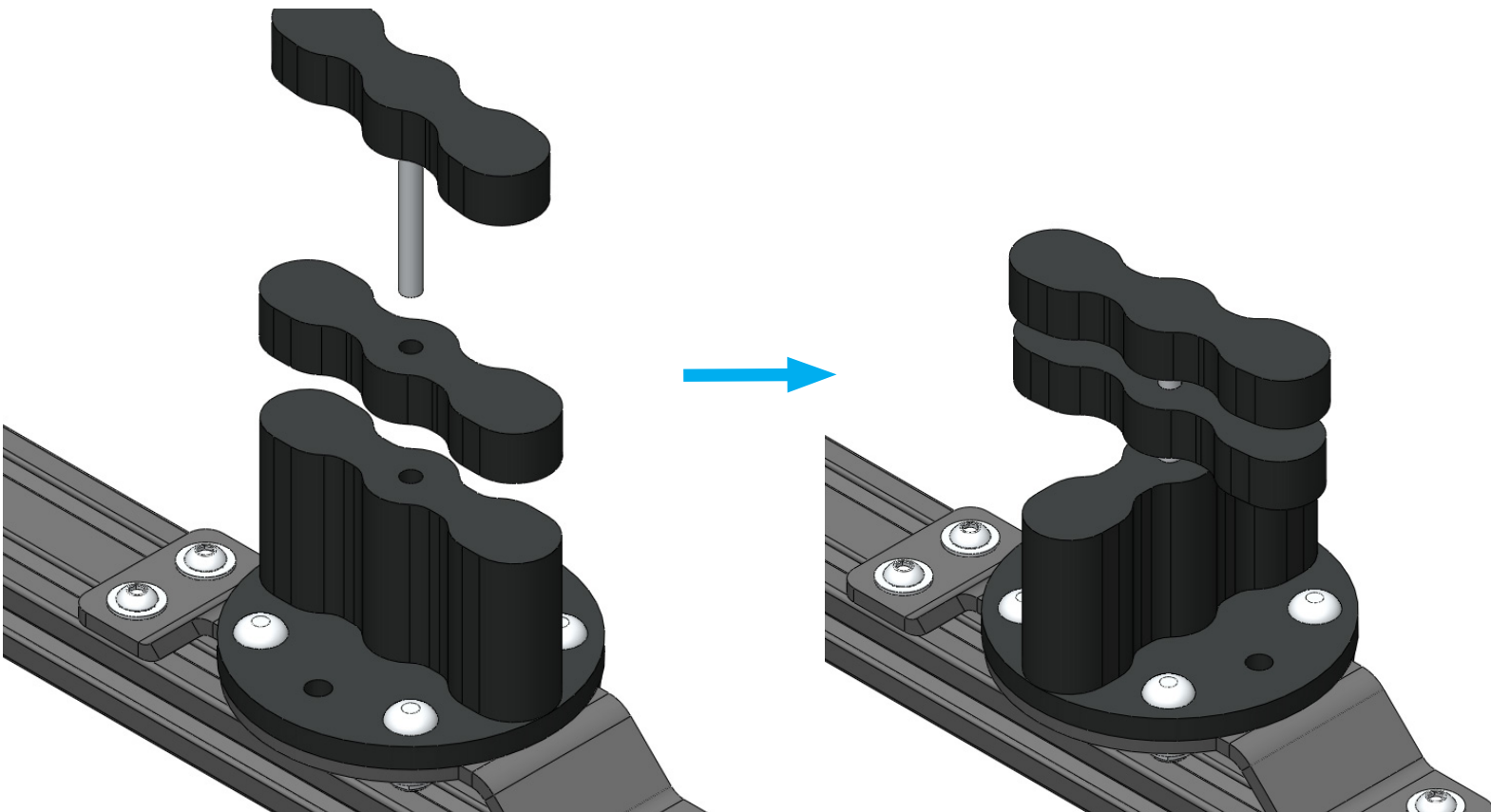
Assembly 03

Slide the Rotopax container over the loose handle and screw the handle down.

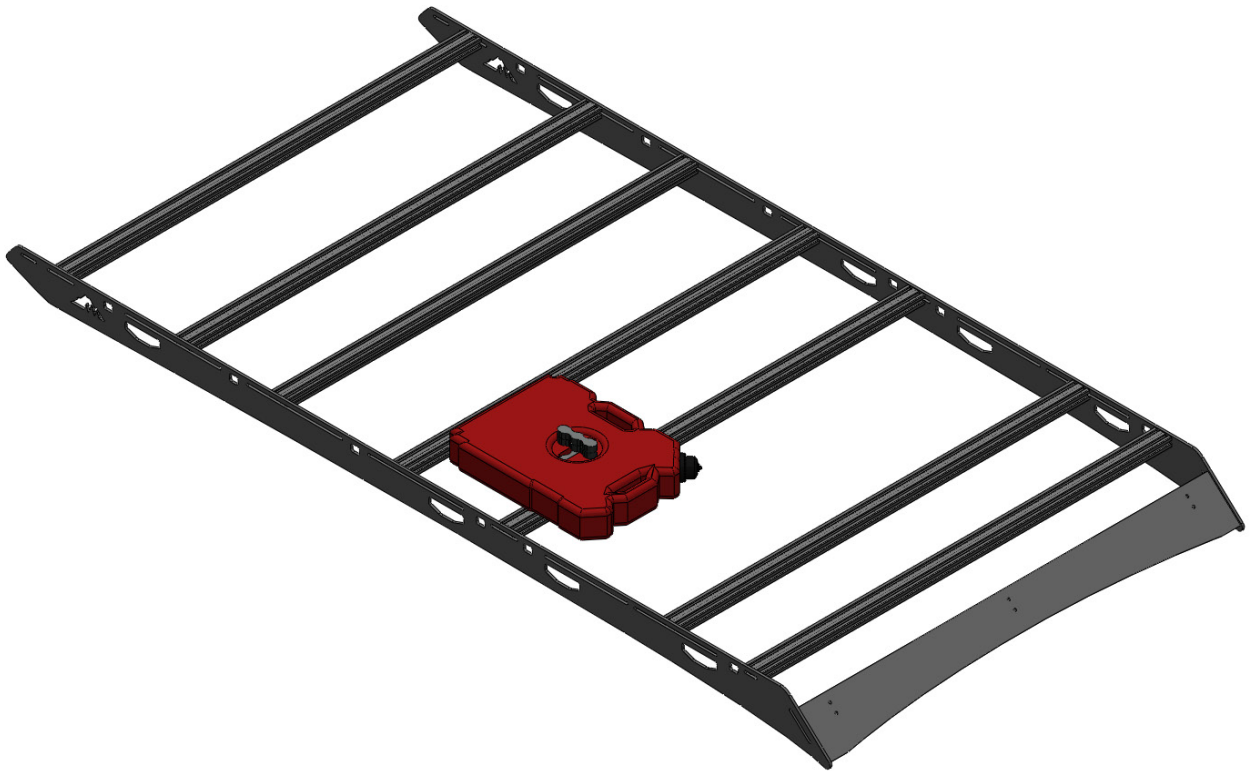




The Sherpa Rotopax mount can be run across two cross members if the user's accessory configuration requires it.



Rotate the Rotopax mount 90° if the alternate Rotopax container orientation is desired.



EXPLORE.

All products built and designed by Sherpa Equipment Company are intended for off-road use and should be assembled, installed, and used according to Sherpa Equipment Company's recommendations. Sherpa Equipment Companies products should be used safely with good judgment towards others and surroundings.

By installing Sherpa Equipment Companies products on your vehicle you assume all liability. Sherpa Equipment Company will not be held liable for damages or loss associated with the installation or use of its products. It is recommended that you inspect your roof rack within the first 100 miles of installation and every 500 miles after.