



# ROAM CASE MOUNTS

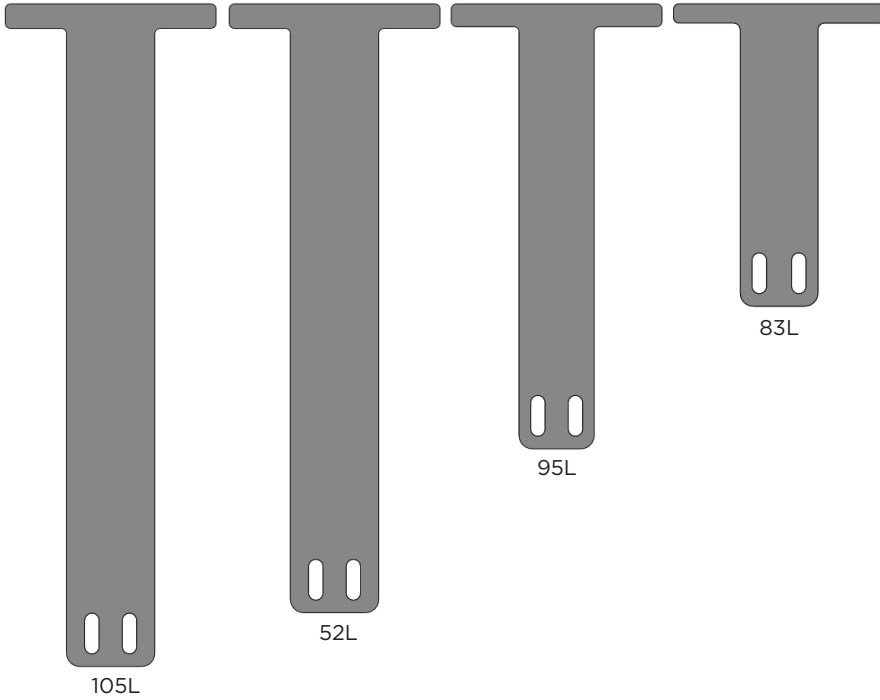
I N S T A L L   I N S T R U C T I O N S

# HARDWARE CHECKLIST

Exact hardware color counts may vary based on the options selected at checkout.

**2**

Sherpa Roam Case Mounts



**4**

1/4"-20  
(9/16")



**4**

1/4"-20 Tnut

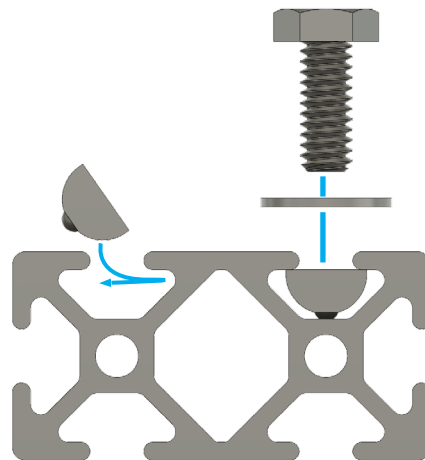


**4**

1/4" Washer



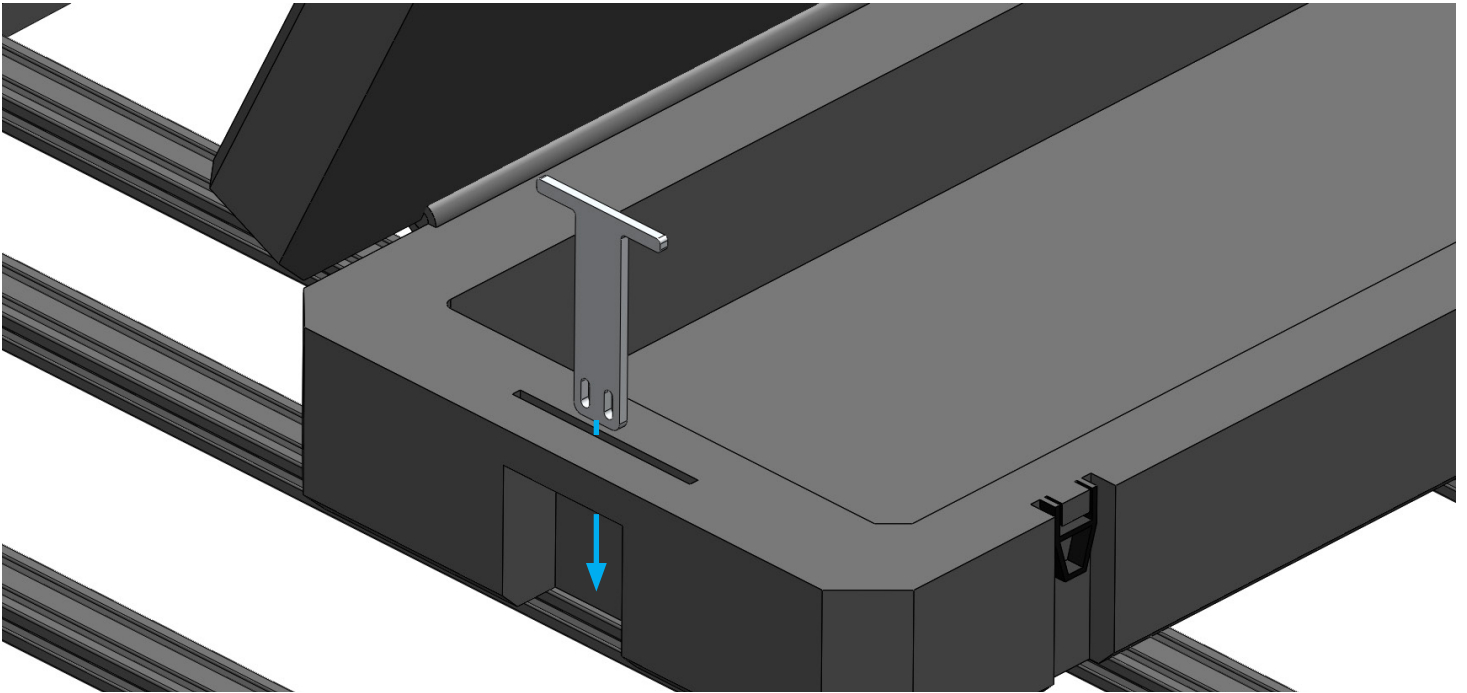
## USING TNUTS



## Setup

Place your Roam case in the desired location along the top surface of your cross members. Note that once mounted, the case itself will not be able to move, but the lid will still be able to move, but the lid will still be fully functional.

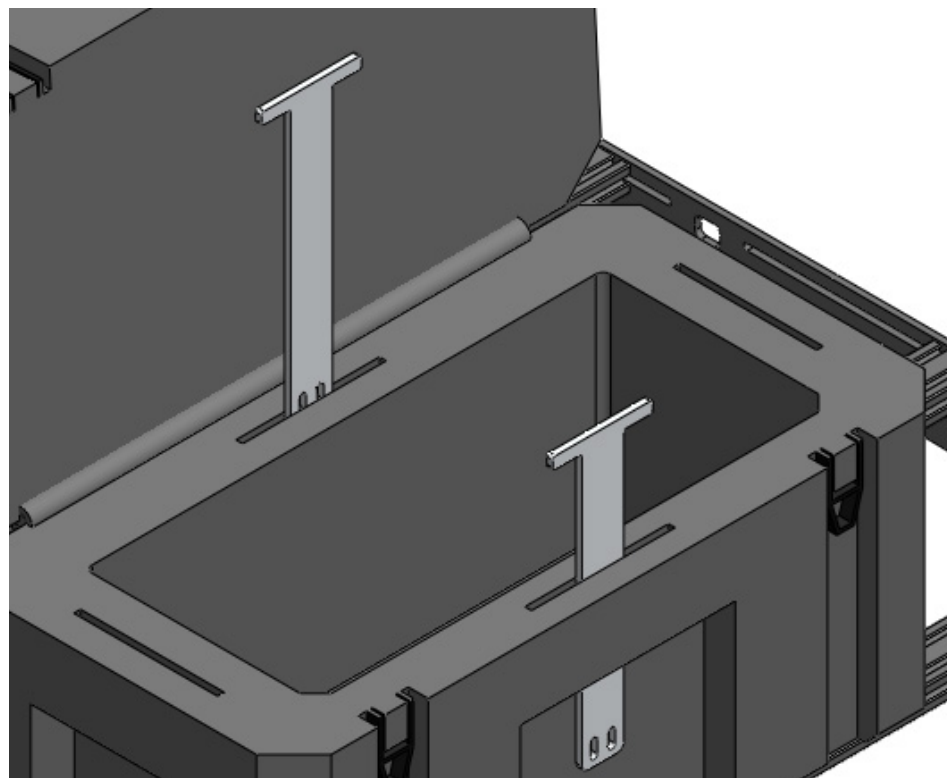
Installation of the case mounts will require the removal of the rope handles included with each Roam case.



## Install 01

Determine the which cross members you are going to use and position them along the slots of your sideplates so that the edge of the Roam case aligns with the side of the cross member. Note that if the cross member has mounting feet attached to it, it is rigid. You can still use these cross members for the Roam case, but they will not be movable.

Open the lid of your Roam case and drop the case mounts into the rectangular holes found along the inside lip of the case. The location of the holes may vary depending on your case size and preferred configuration.



## Install 02

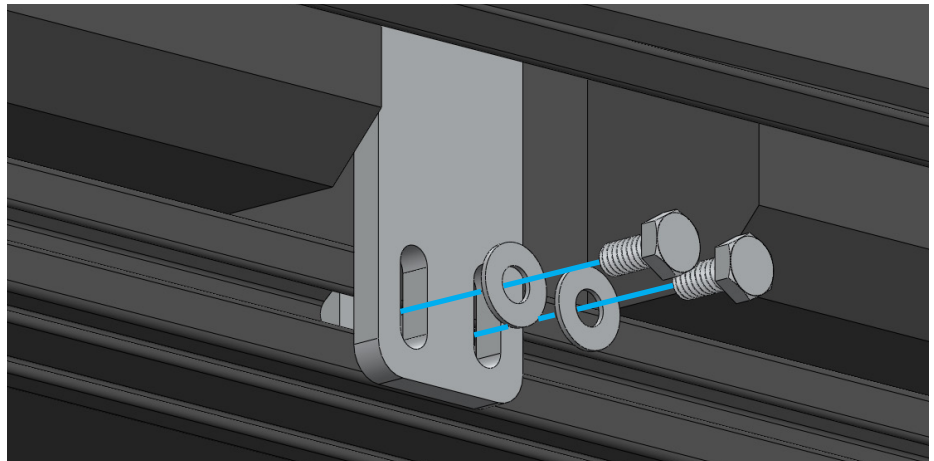
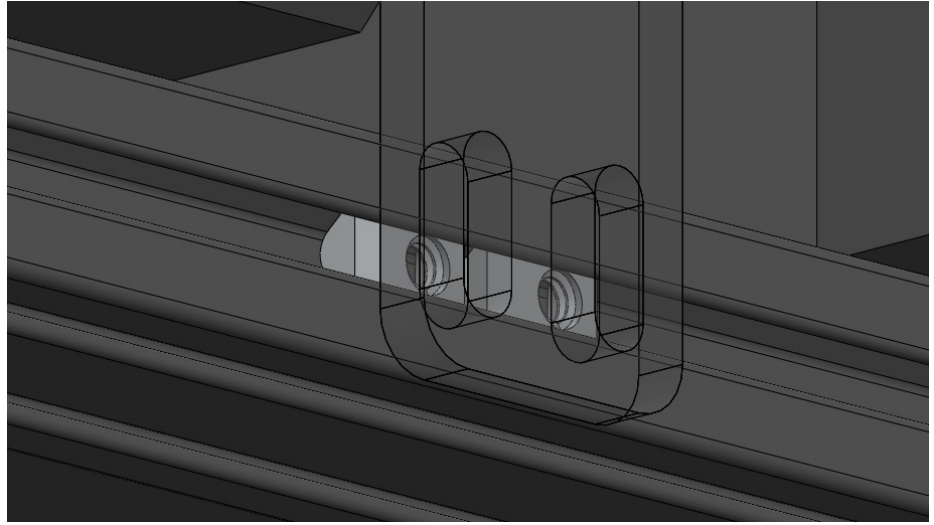
Required Components:

2 1/4"- 20 x 9/16" bolt

2 1/4"- 20 Tnut

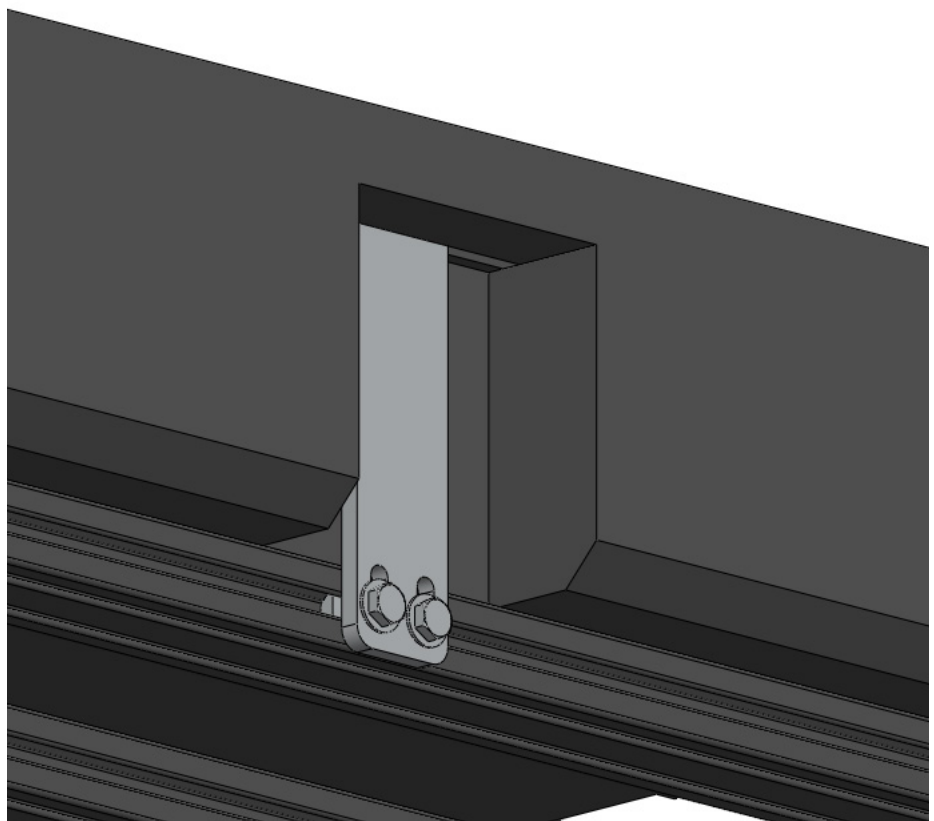
2 1/4" Flat washer

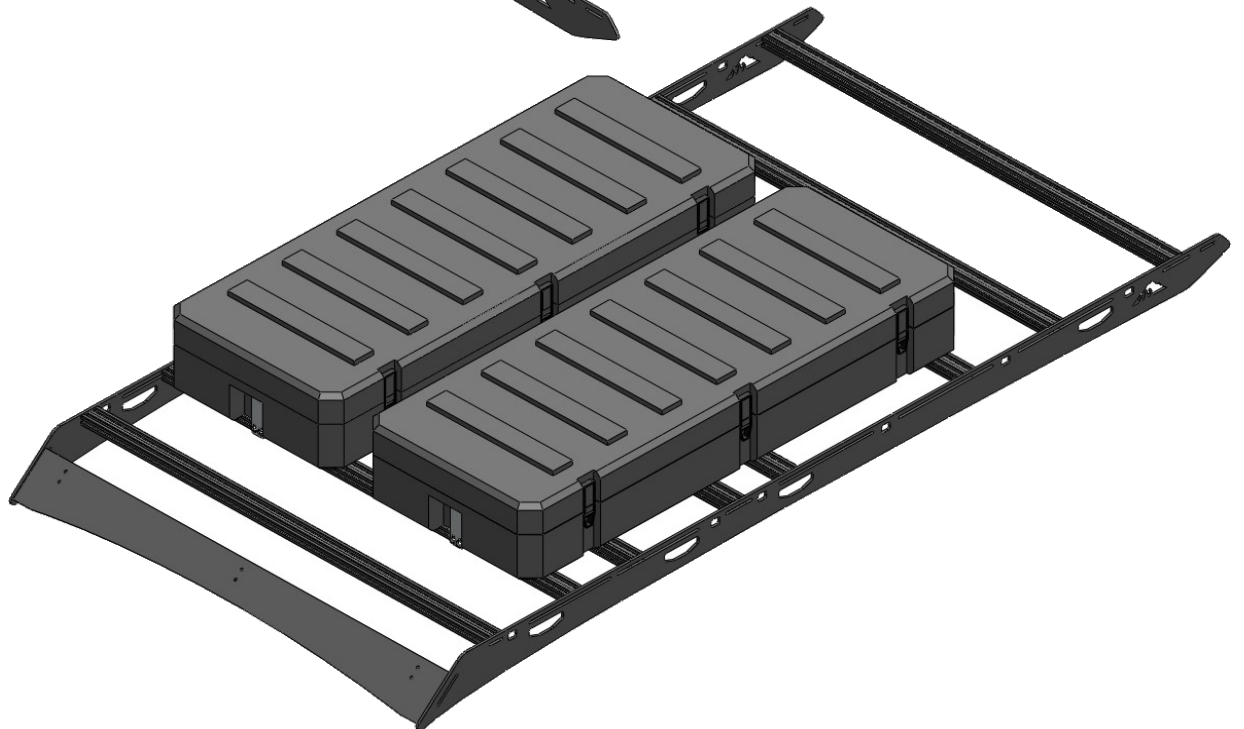
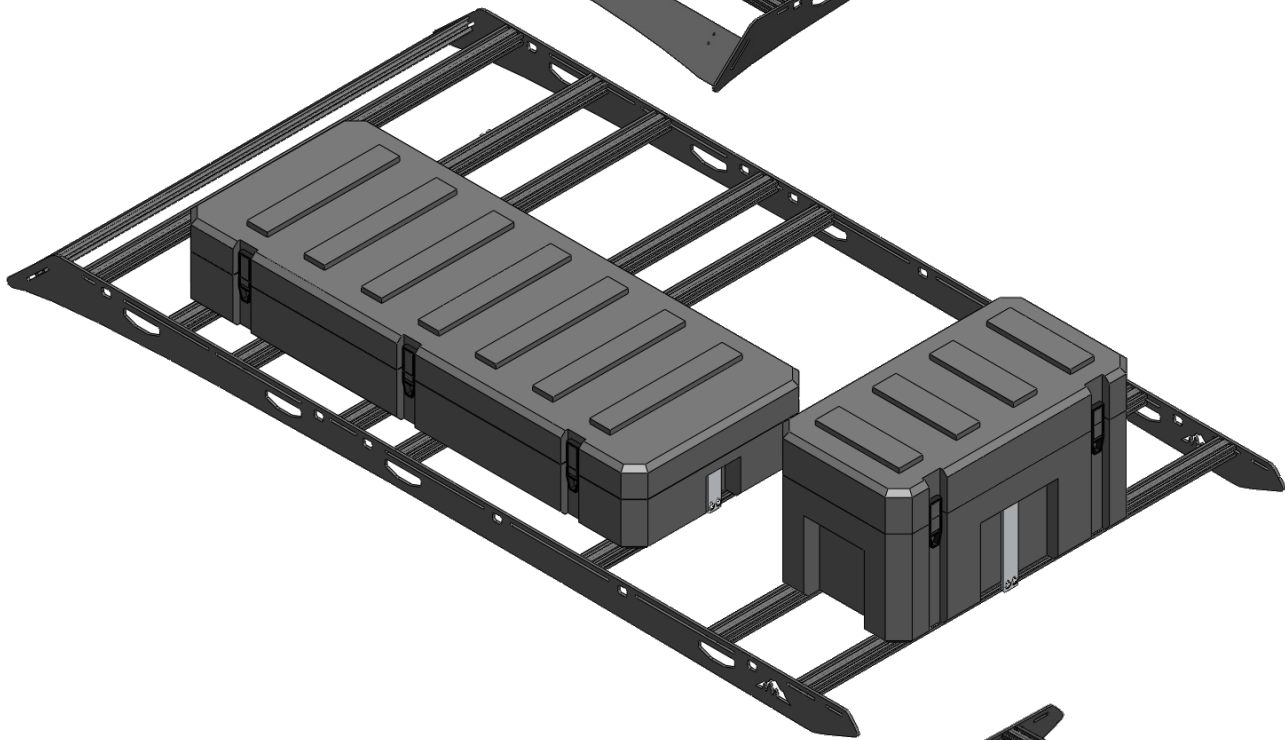
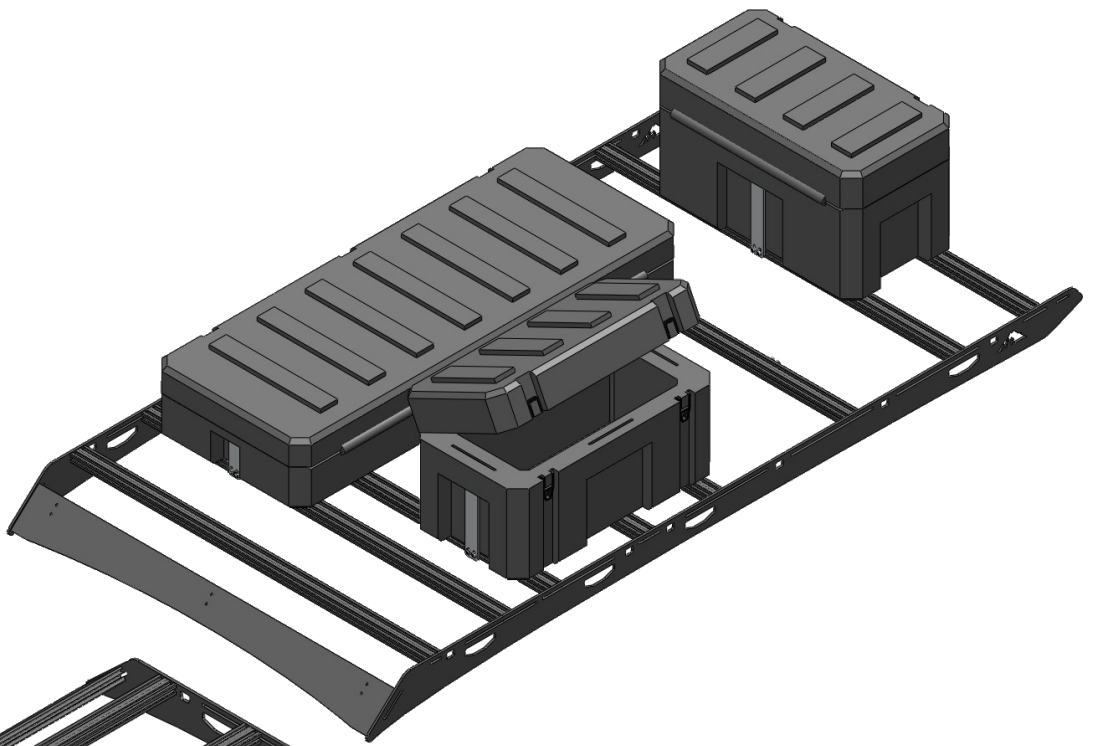
Insert two Tnuts into the side slot of a cross member. Secure the Roam case mount with the 9/16" bolts and washers. Repeat this step for the other side of the case.



## Configurations

That's it! Pictured next are some different configurations for your Roam cases (possible placement may vary between different racks. The following pictures are based on a Crestone rack that has 47" long cross members).





# EXPLORE.

All products built and designed by Sherpa Equipment Company are intended for off-road use and should be assembled, installed, and used according to Sherpa Equipment Company's recommendations. Sherpa Equipment Companies products should be used safely with good judgment towards others and surroundings.

By installing Sherpa Equipment Companies products on your vehicle you assume all liability. Sherpa Equipment Company will not be held liable for damages or loss associated with the installation or use of its products. It is recommended that you inspect your roof rack within the first 100 miles of installation and every 500 miles after.