



MID - HEIGHT BED RACK

I N S T A L L I N S T R U C T I O N S

HARDWARE CHECKLIST

Quantities marked in blue may be used in the preassembly of front adjustable mounts.
Exact hardware color counts may vary based on the options selected at checkout.

8

Hex bolt
(3/8"-16 x 1")



40

Carriage bolt
(5/16"-18 x 1.0)



2

Carriage bolt
(1/4"-20 x 1")



40

Nylock nut
(5/16"-18)



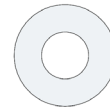
2

Nylock nut (1/4"-20)



8

3/8"
Flat washer



40

5/16"
Flat washer



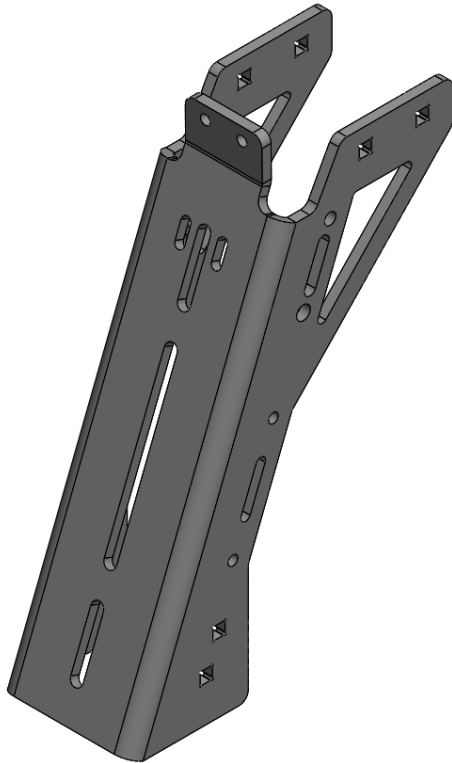
2

1/4"
Flat washer



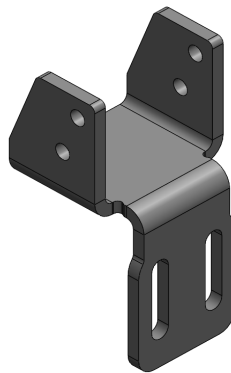
4

MID-HEIGHT
TOWERS



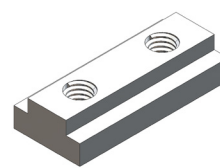
4

CHAIR
BRACKETS



4

BEDNUTS



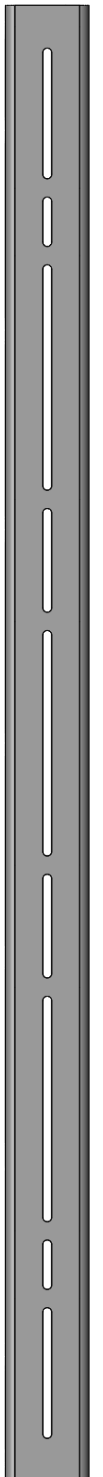
2

ACCESSORY
BRACES



2

CROSSBARS



The below assembly images may differ slightly in appearance from actual product.

01

Required Components:

4x Mid-height towers

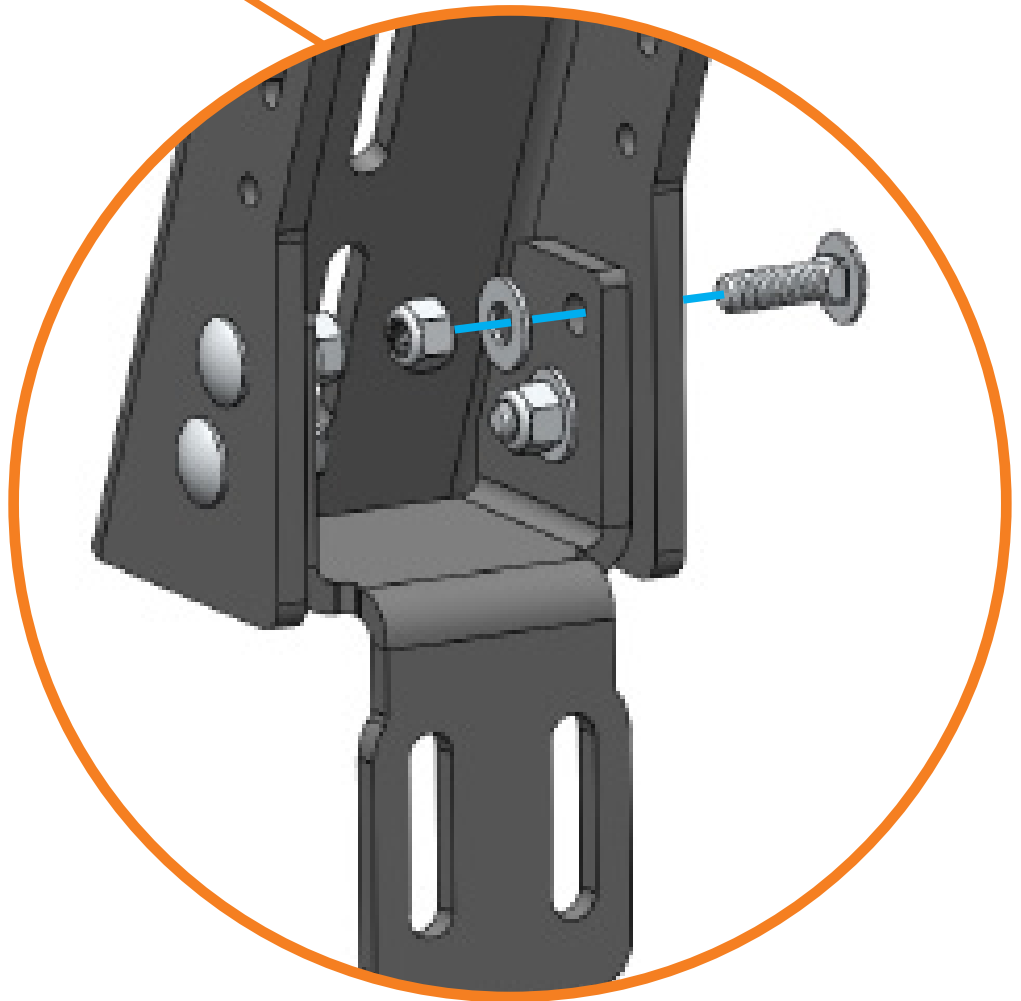
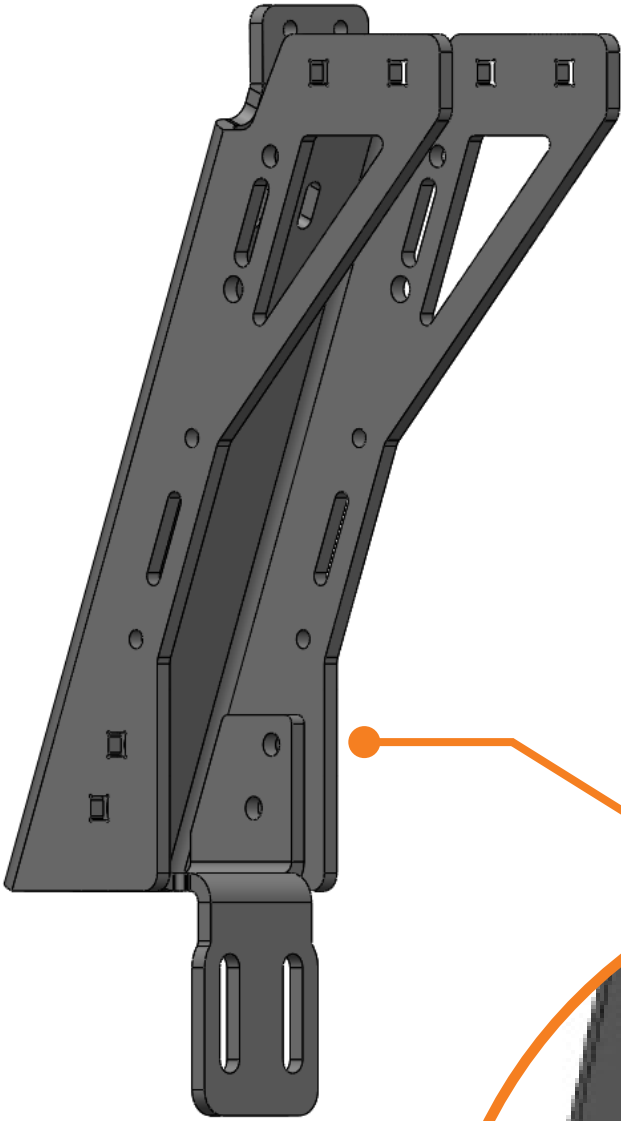
4x Chair brackets

16x 5/16"-18 Carriage Bolt

16x 5/16" Washer

16x 5/16"-18 Nut

Loosely fasten each chair bracket to a tower using the supplied carriage bolts, washers, and nylock nuts. Leave the hardware loose enough for the chair brackets to move.



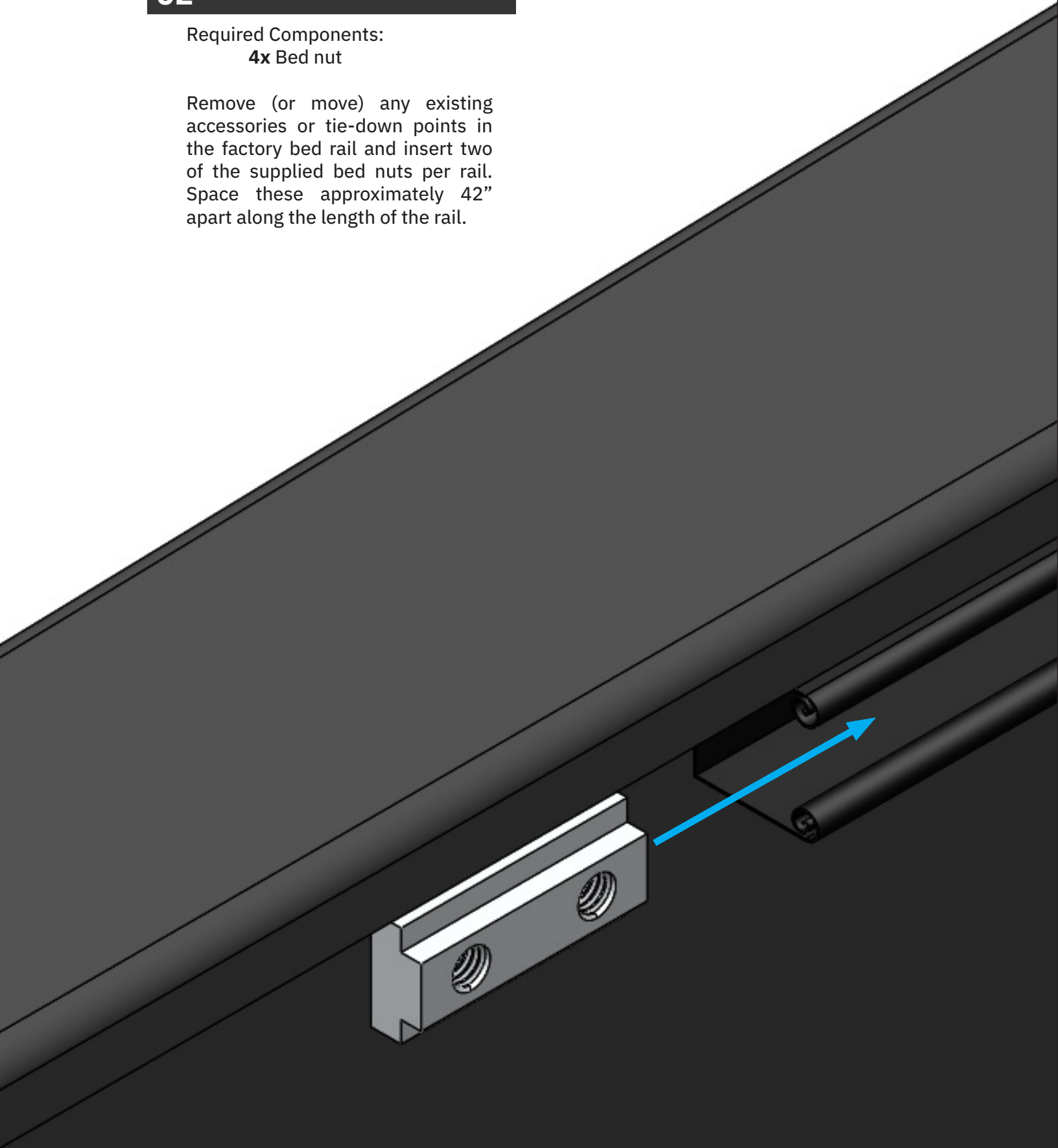
x4

02

Required Components:

4x Bed nut

Remove (or move) any existing accessories or tie-down points in the factory bed rail and insert two of the supplied bed nuts per rail. Space these approximately 42" apart along the length of the rail.



x4

03

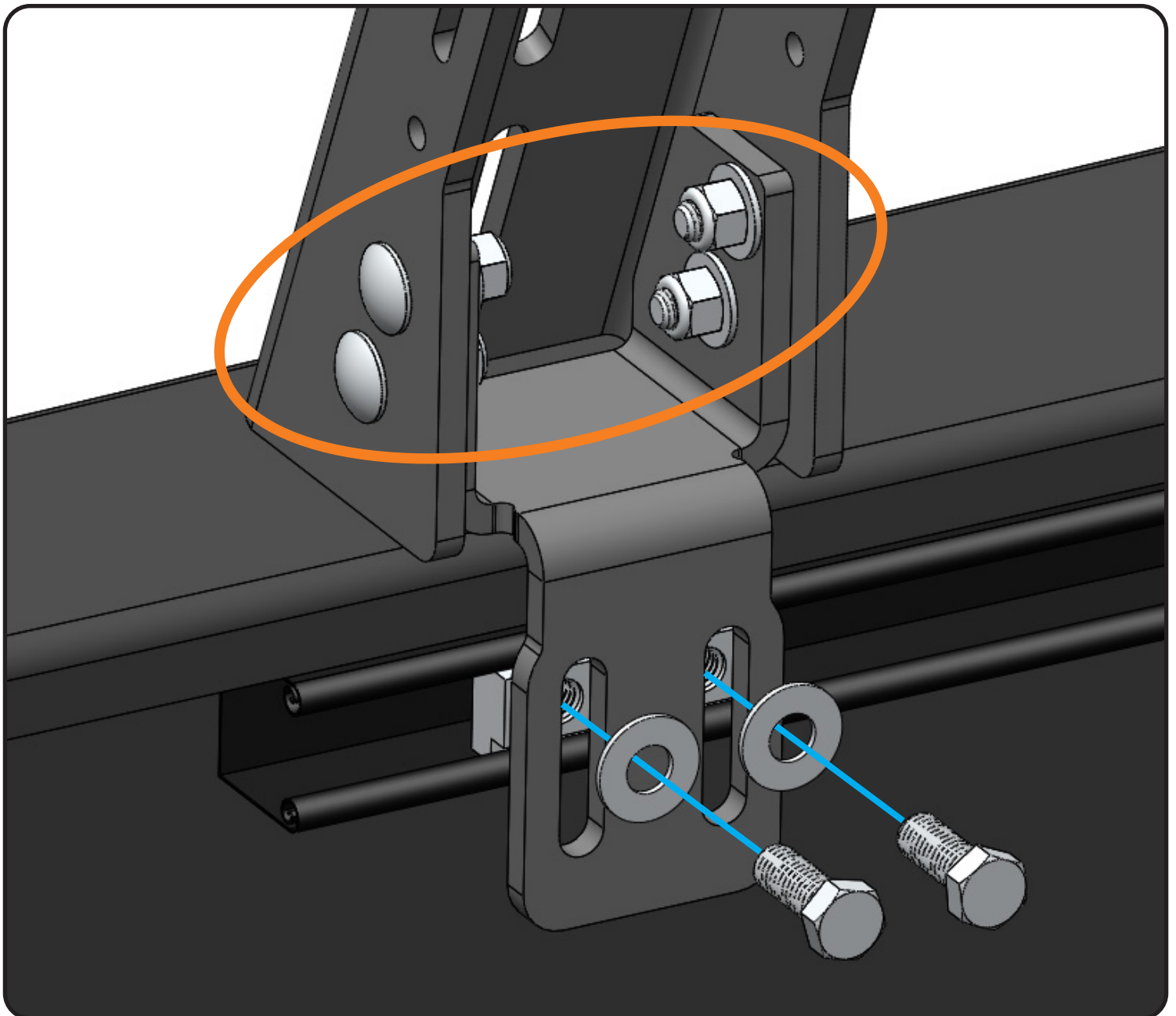
Required Components:

8x 3/8"-16 x 1.0 Hex bolt

8x 3/8" Flat washer

Fasten each tower to the factory bed rail by **bolting through the chair brackets into the bednut** using the supplied 3/8"-16 x 1.0" hex bolts and corresponding washers.

With the towers sitting flat on the surface of the bed, **finish tightening** the 5/16" nylock nuts from step 01.



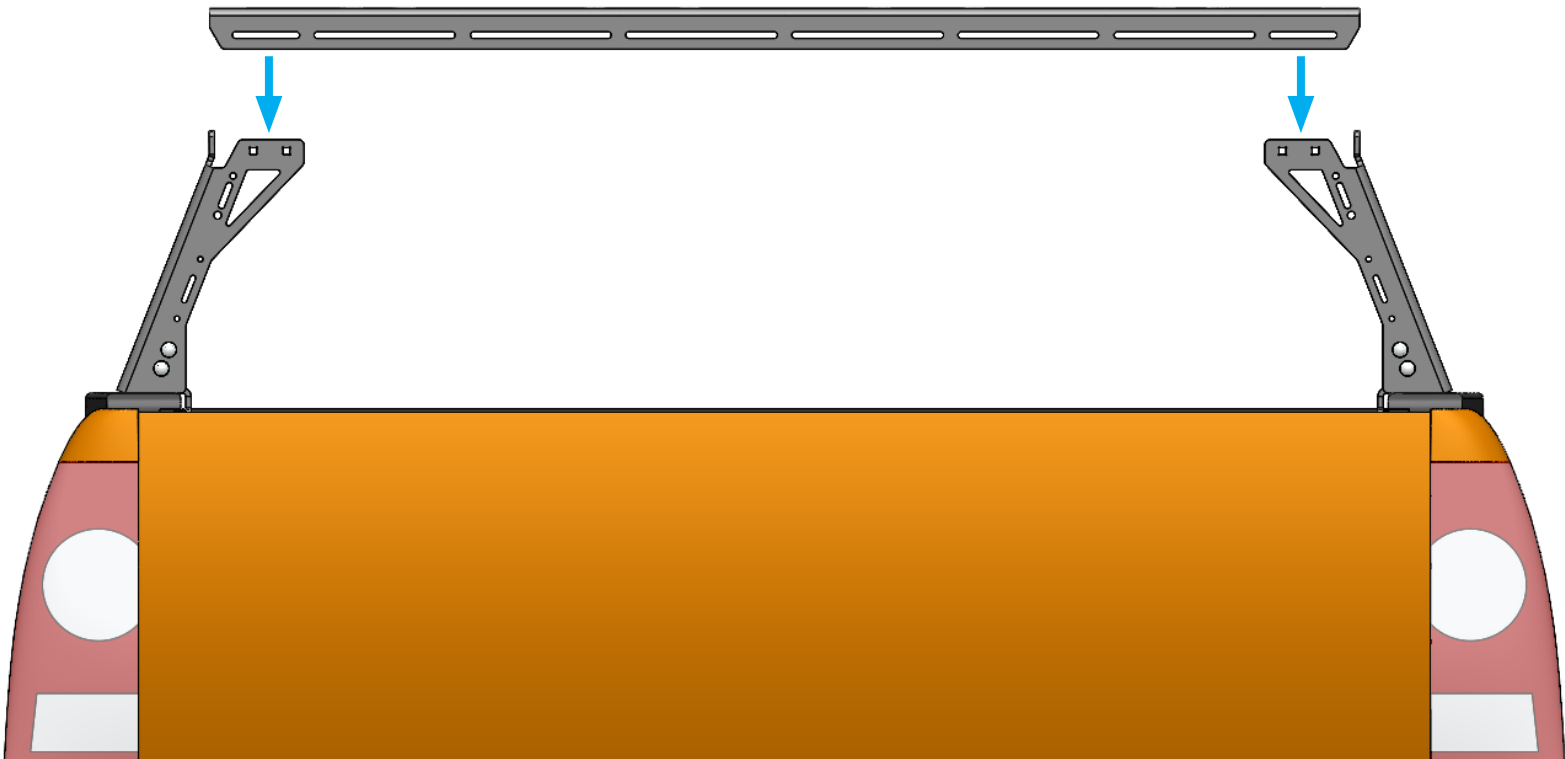
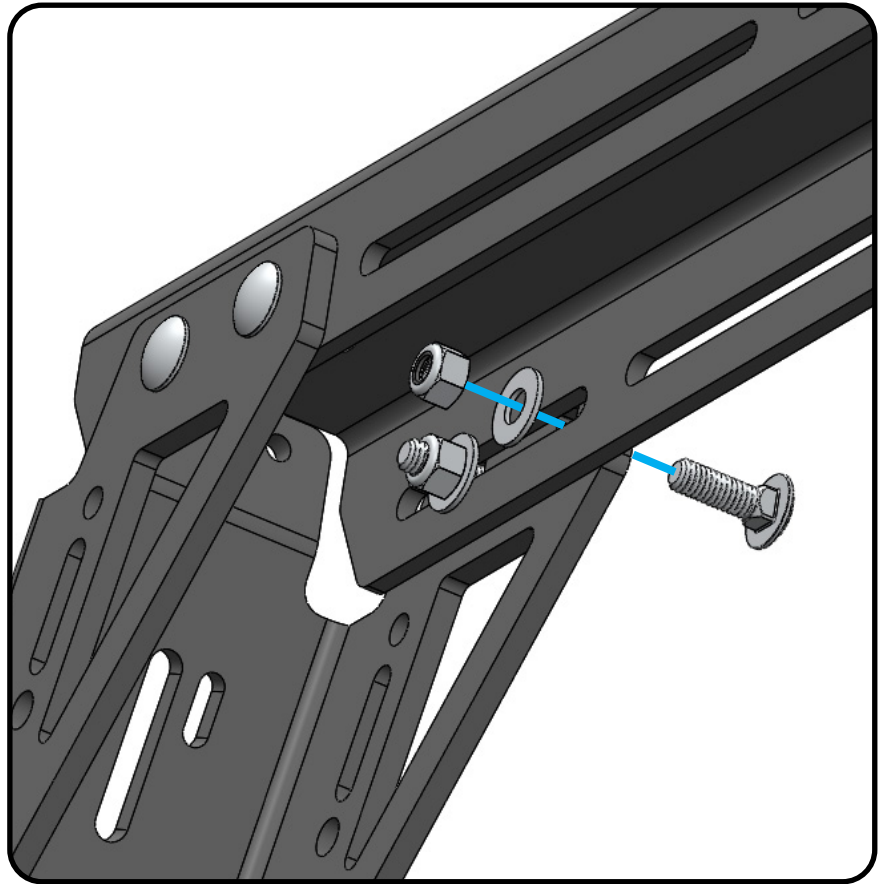
04

Required Components:

- 16x 5/16"-18 Carriage bolt**
- 16x 5/16"-18 Nylock nut**
- 16x 5/16" Flat washer**

Insert a crossbar between the towers and center it by lining up the ends of the bar with the upward-facing flanges of the towers. Fasten with the supplied carriage bolts, washers, and nylock nuts.

Repeat this for the second set of crossbar and towers.



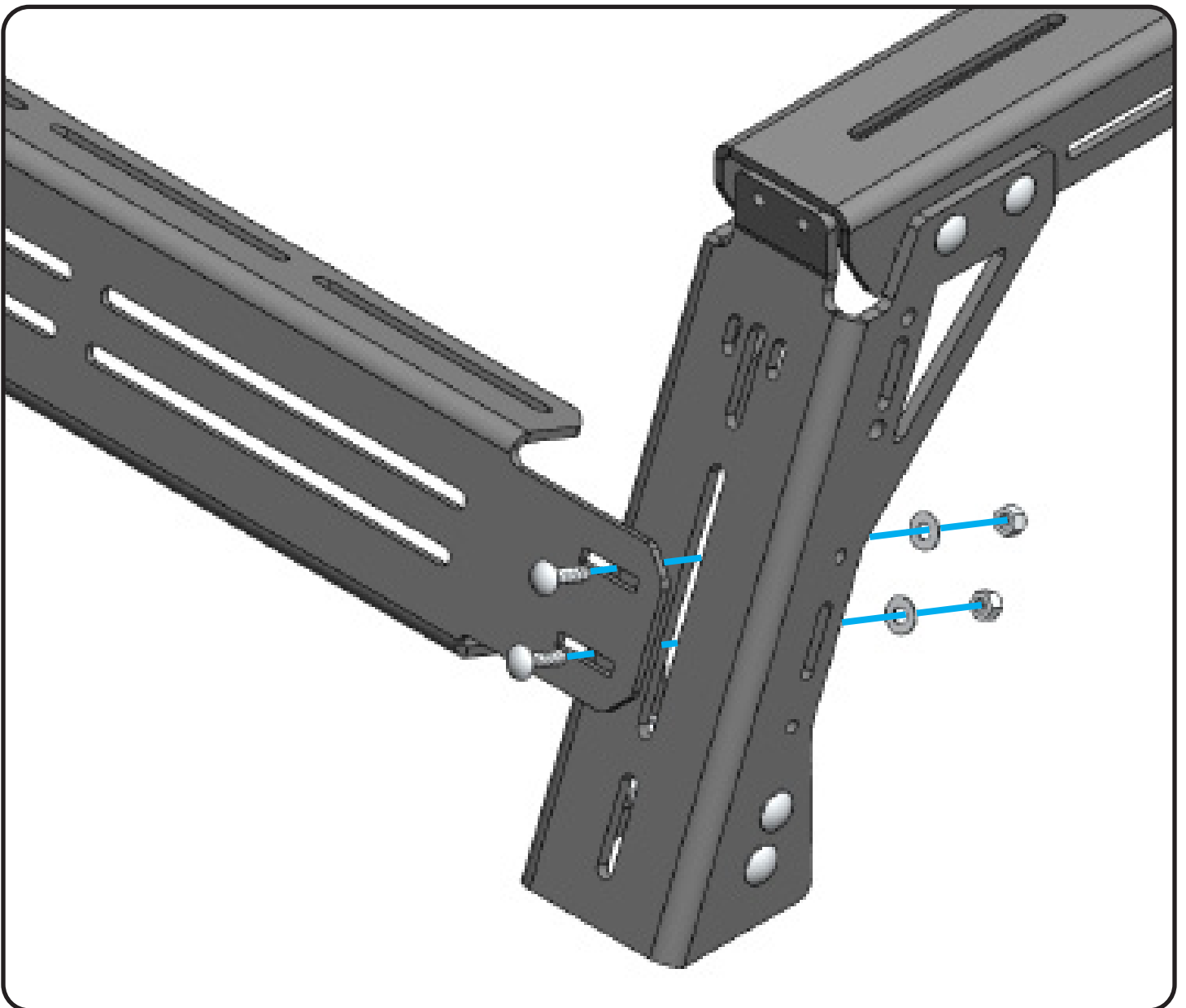
05

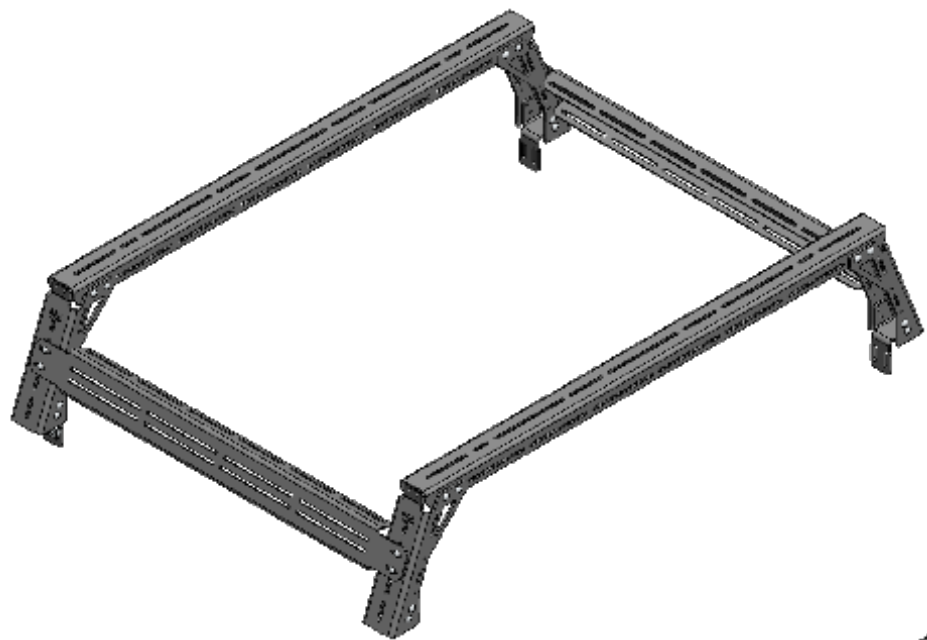
Required Components:

- 8x 5/16"-18 Carriage bolt**
- 8x 5/16"-18 Nylock nut**
- 8x 5/16" Flat washer**

Install the accessory braces along the length of the bed rack assembly using the supplied 1/4"-20 carriage bolts, washers, and nylock nuts.

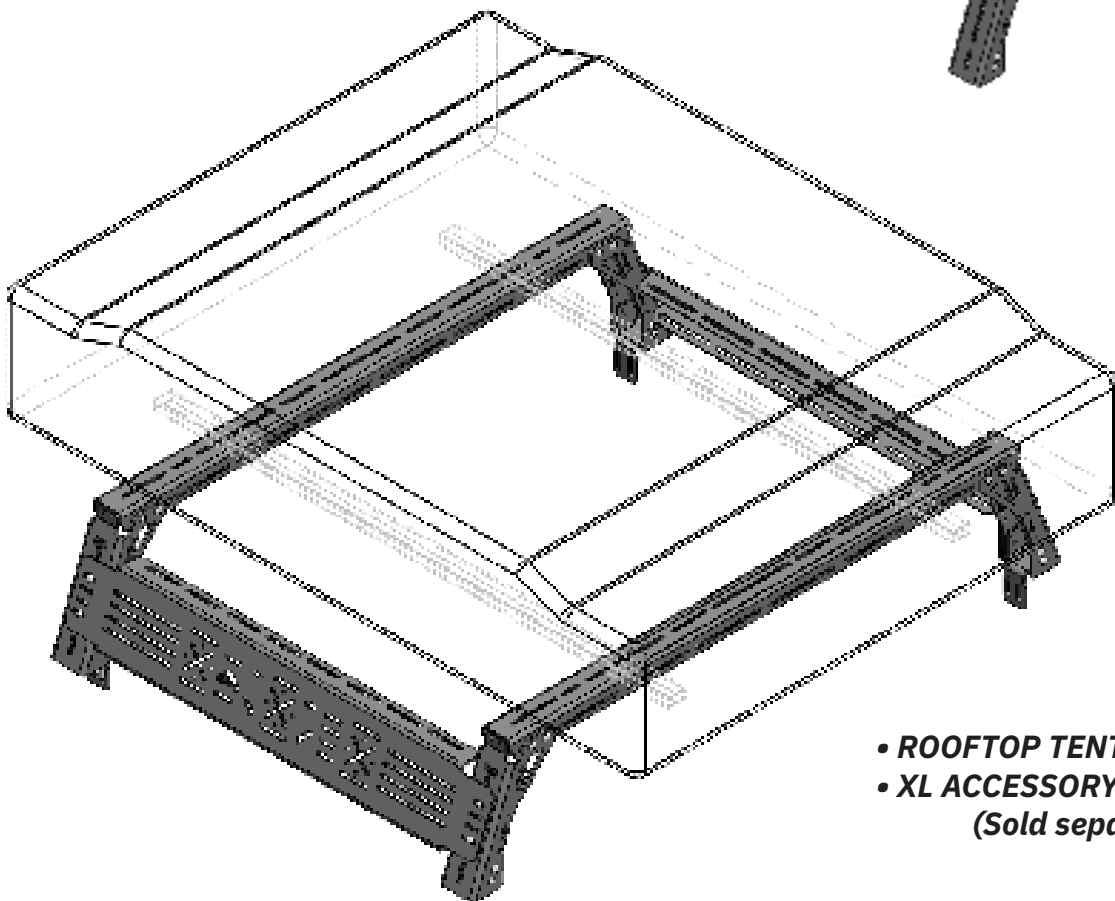
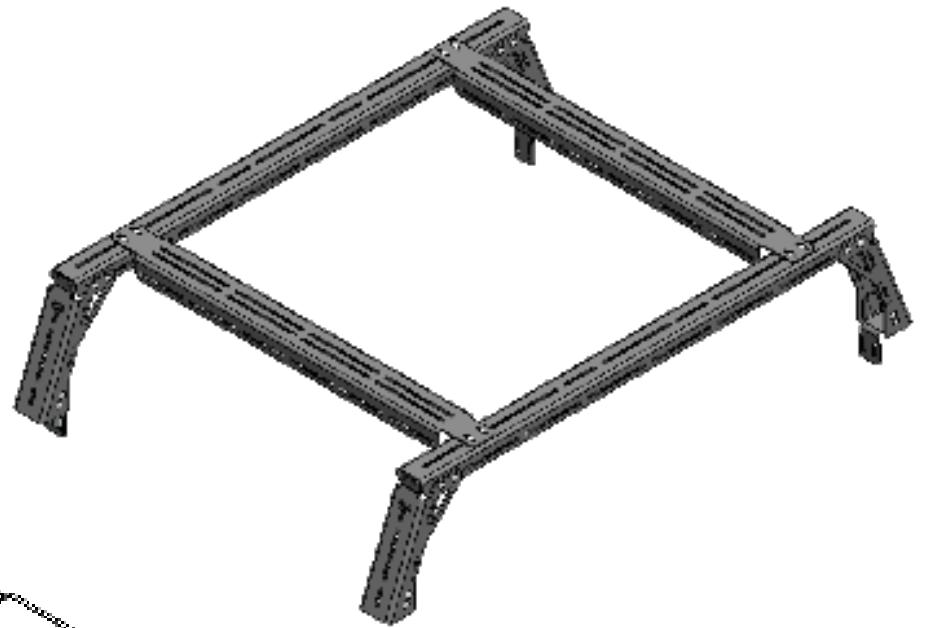
These can be added to the sides of the towers or on top of the crossbars. Example configurations are supplied on the next page.





SIDE

TOP



- ***ROOFTOP TENT***
- ***XL ACCESSORY PANEL***
(Sold separately)



EXPLORE.

All products built and designed by Sherpa Equipment Company are intended for off-road use and should be assembled, installed, and used according to Sherpa Equipment Company's recommendations. Sherpa Equipment Companies products should be used safely with good judgment towards others and surroundings.

By installing Sherpa Equipment Companies products on your vehicle you assume all liability. Sherpa Equipment Company will not be held liable for damages or loss associated with the installation or use of its products. It is recommended that you inspect your roof rack within the first 100 miles of installation and every 500 miles after.