



AWNING MOUNTS

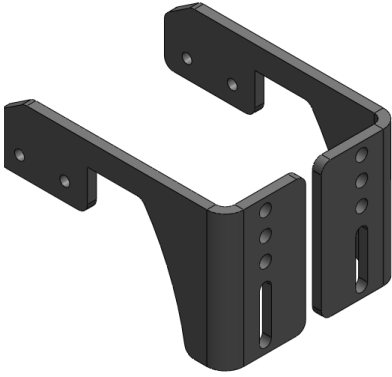
I N S T A L L I N S T R U C T I O N S

HARDWARE CHECKLIST

Exact hardware color counts may vary based on the options selected at checkout.

2

Standard Awning
Mounts



OR

2

HD Awning
Mounts



4 or 8

1/4"-20
(9/16")



4 or 8

1/4"-20 Tnut



4 or 8

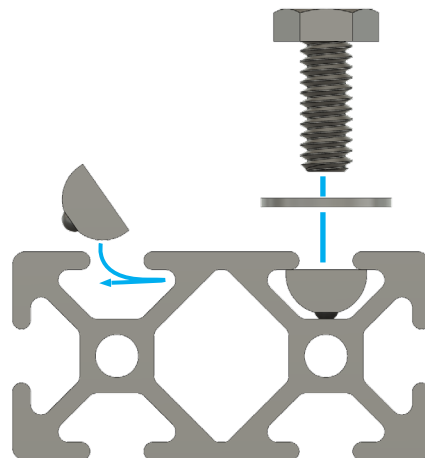
1/4" Washer



BEFORE YOU BEGIN

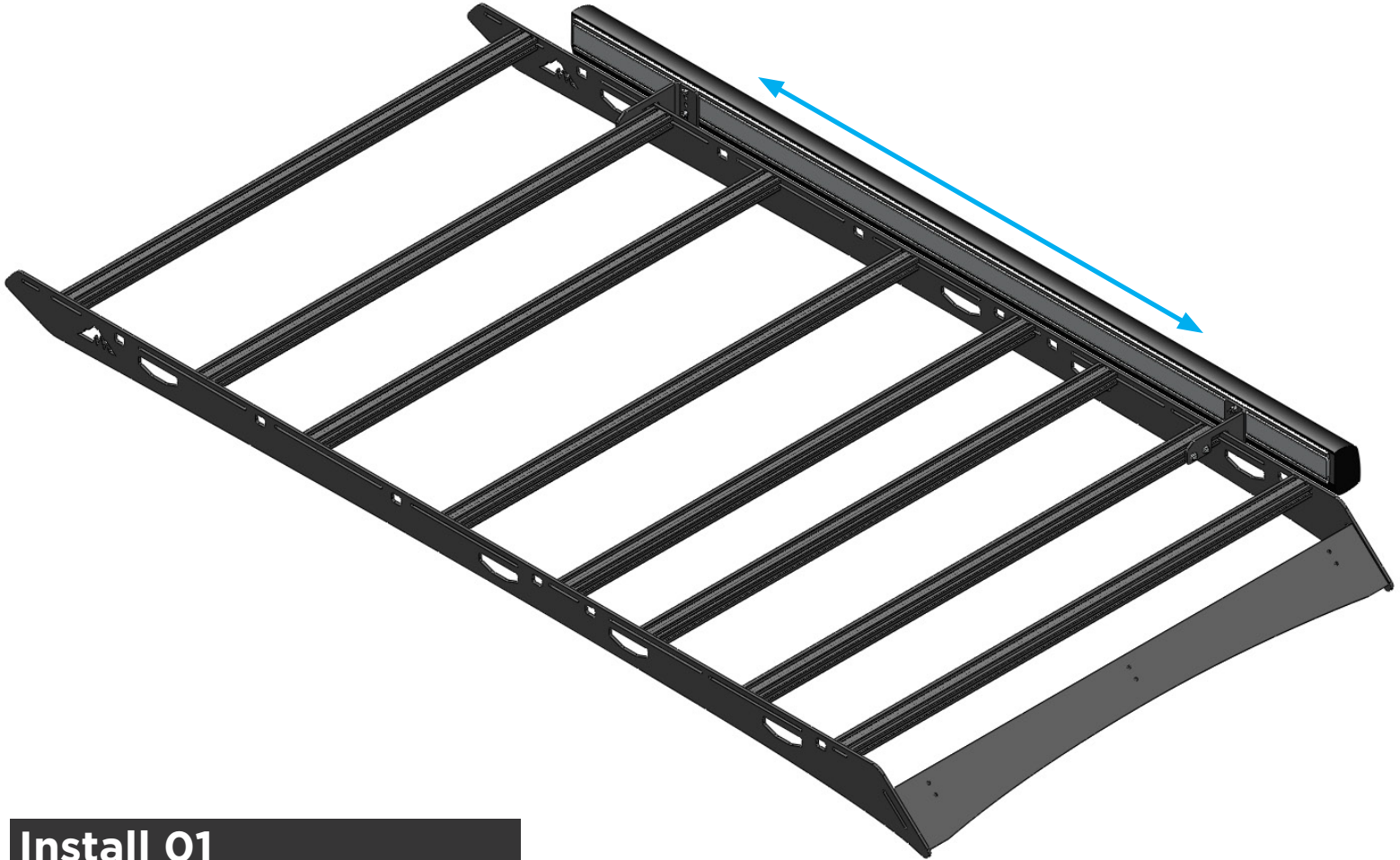
Installing an awning can be difficult alone. Getting another person to lend a hand on the install can make the process a lot easier. The process outlined in these instructions is what we find to be the most consistent and straightforward method.

USING TNUTS



Setup

Spreading the awning mounts out from each other across the length of the awning can distribute the load better. Keep this in mind when configuring the accessories along the adjustable cross members.



Install 01

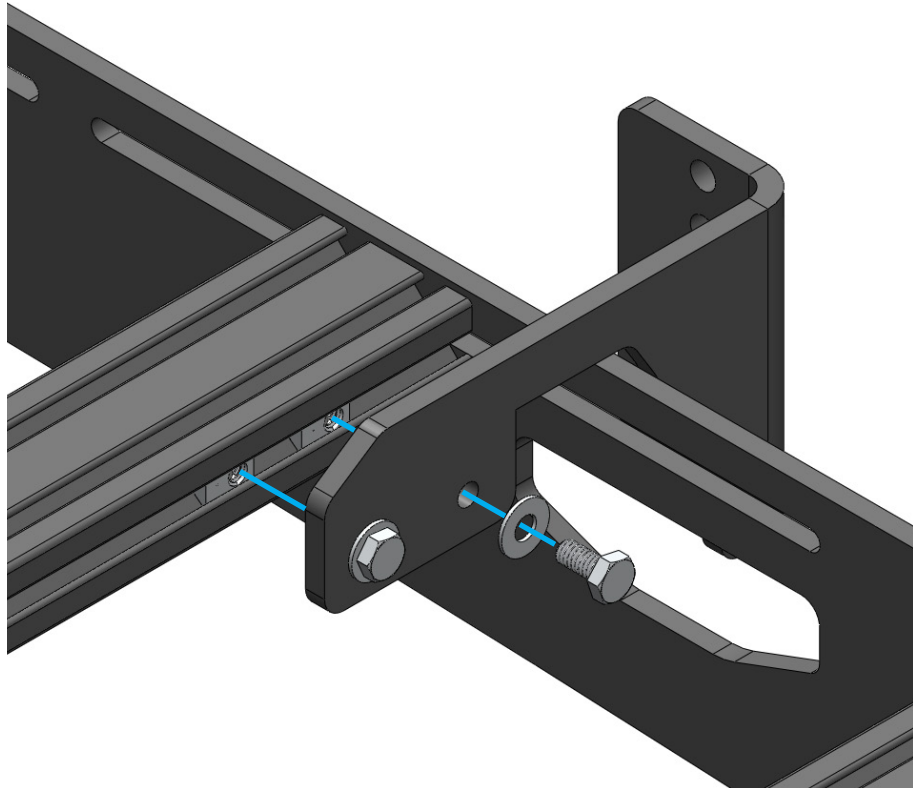
Determine the which cross members you are able to use and position them in the slots of your sideplates so that your mounts will mount to your awning. Note that if the cross member has mounting feet attached to it, it is rigid. You can still use these cross members for the awning mounts, but they will not be movable.

Install 02

Required Components:

- 2** Sherpa Awning Mount
- 4 or 8** 1/4"- 20 x 9/16" bolt
- 4 or 8** 1/4"- 20 Tnut
- 4 or 8** 1/4" Flat washer

Insert two Tnuts into the side slot of a cross member. Secure the awning mount with the 9/16" bolts and washers, leaving it loose enough so that it can be slid along the length of the cross member. Note that the face of the awning mount that interfaces with the awning hangs over the sideplate, outside of the roof rack. Do this for each of the two mounts. For an HD awning mount set, there will be four of each hardware per cross member.

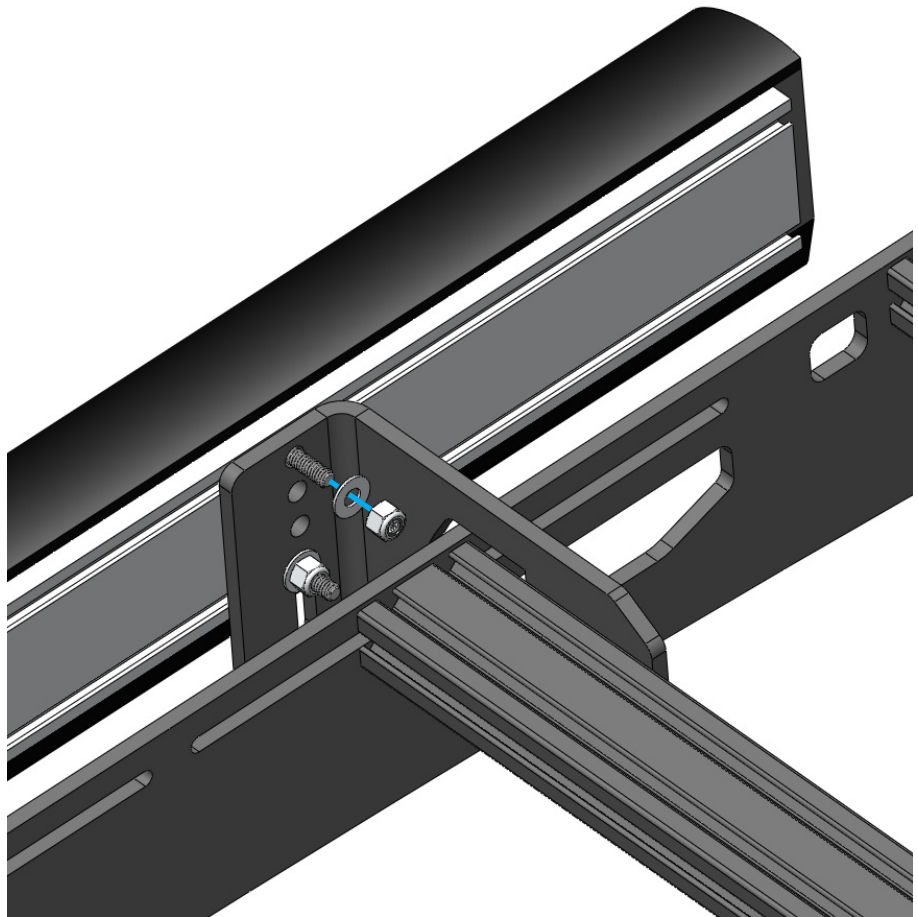


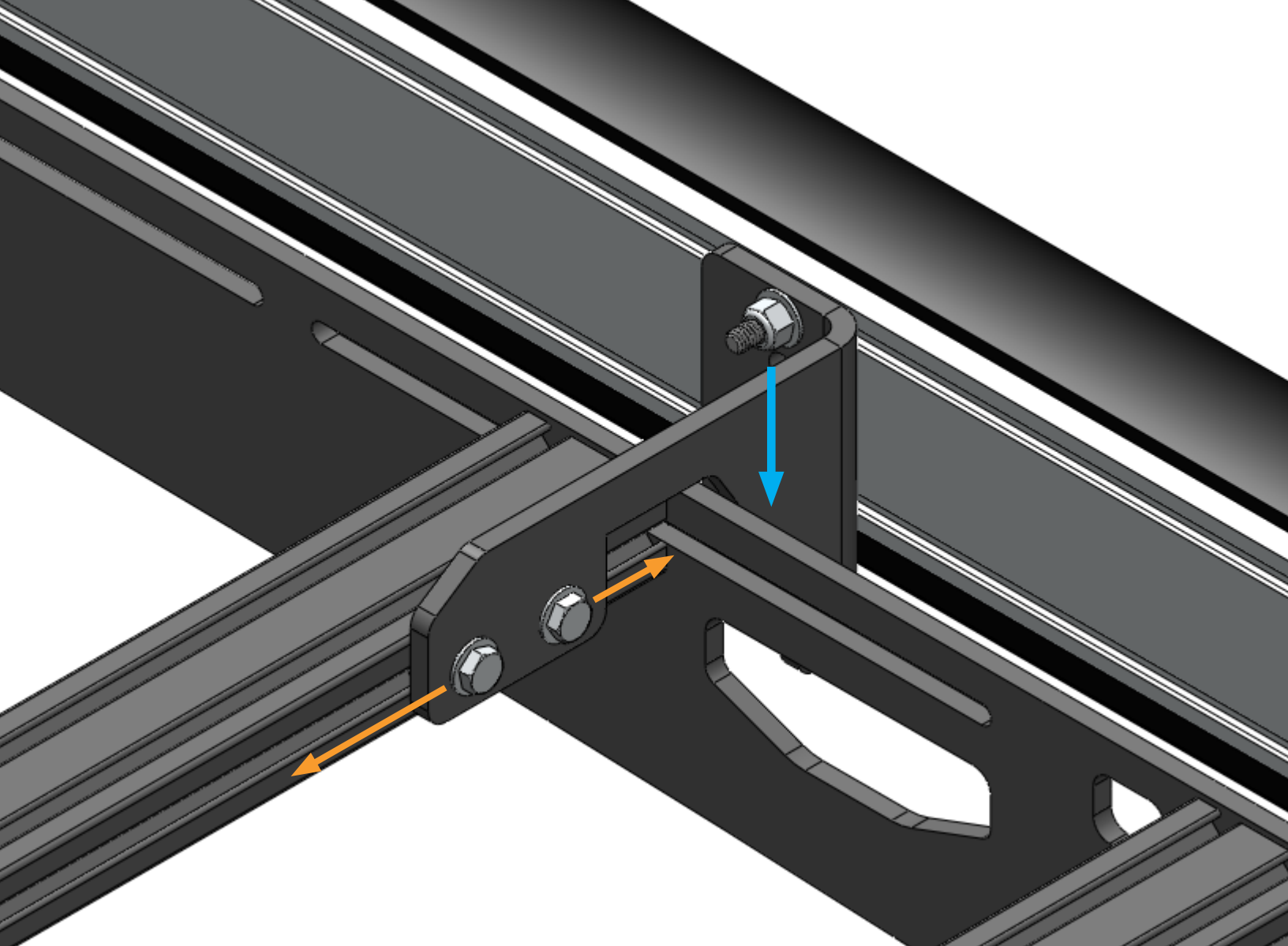
Install 03

Hold the awning up to the mount and determine how far out the awning mount needs to sit based on the clearance to the roof and/or to fit around other accessories. Tighten the bolts from install step 02 in order to fix the awning mount in place.

Using the hardware provided by the awning manufacturer, fasten the awning to the Sherpa Awning Mounts. Pictured to the right is a commonly seen configuration, where the manufacturer will provide track bolts that slide into the ends of the aluminum extrusion on the inside of the awning.

If installing alone, allowing one end of the awning to rest on the ground as the awning is being mounted to one awning bracket, or using a bungee cord to hold the other end in place along the roof rack are both methods of making the install process less awkward. Once at least one bolt is in place (loosely), the awning can be swung up or down to be fastened to the remaining awning mount.





Install 04

Ensure all hardware is tight. Double check the functionality of your awning while your tools are still out. A small amount of adjustability has been built in to the awning mount for both **height** and **reach** of the awning in relation to the roof rack.



EXPLORE.

All products built and designed by Sherpa Equipment Company are intended for off-road use and should be assembled, installed, and used according to Sherpa Equipment Company's recommendations. Sherpa Equipment Companies products should be used safely with good judgment towards others and surroundings.

By installing Sherpa Equipment Companies products on your vehicle you assume all liability. Sherpa Equipment Company will not be held liable for damages or loss associated with the installation or use of its products. It is recommended that you inspect your roof rack within the first 100 miles of installation and every 500 miles after.