



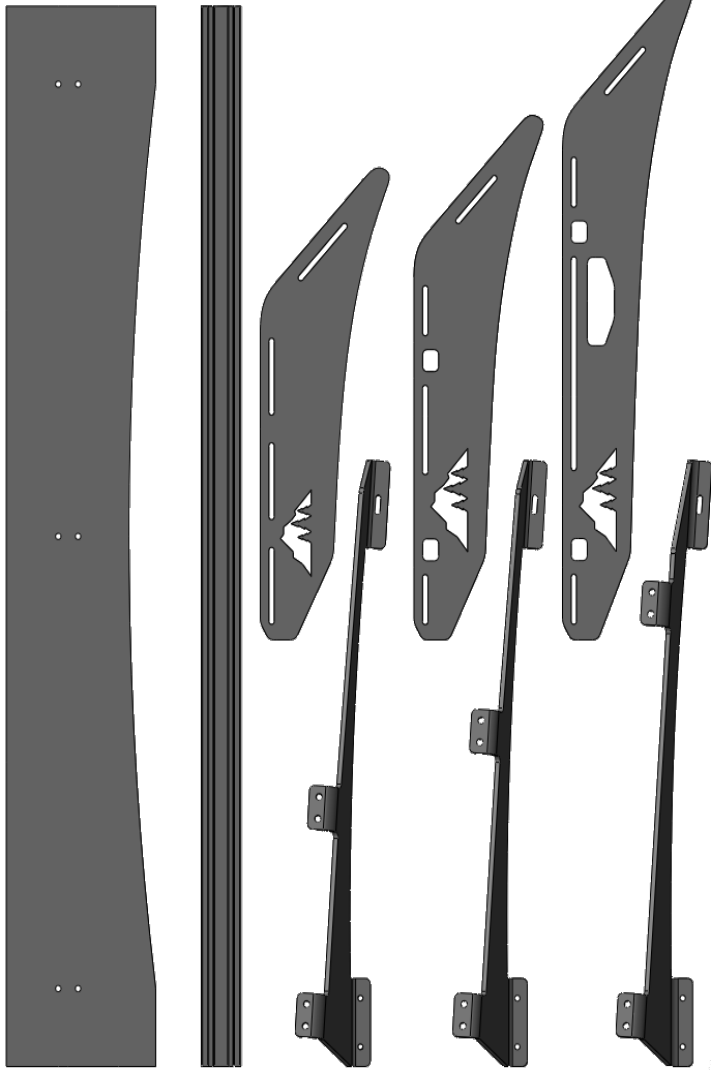
# THE ANIMAS

21" | 24" | 30"

I N S T A L L I N S T R U C T I O N S

# HARDWARE CHECKLIST

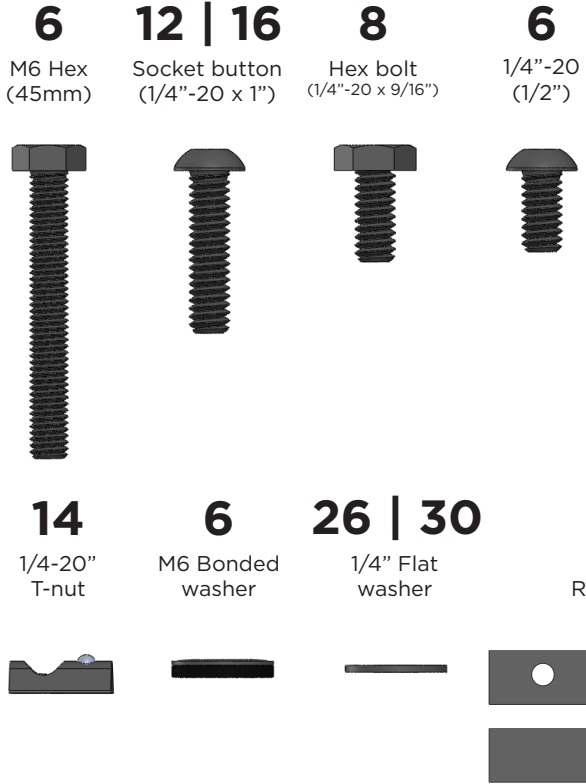
Exact hardware counts may vary based on the options selected at checkout.



Wind Fairing w/ Edge Trim

Extrusion Crossbars

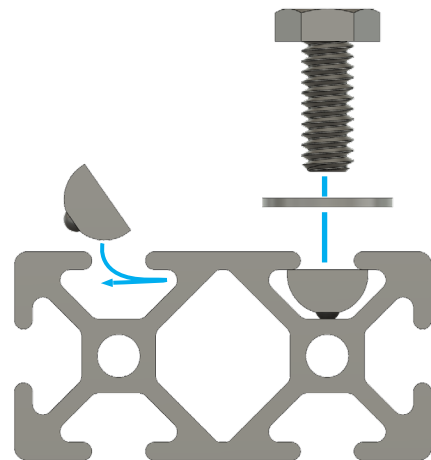
Sideplates and mounts

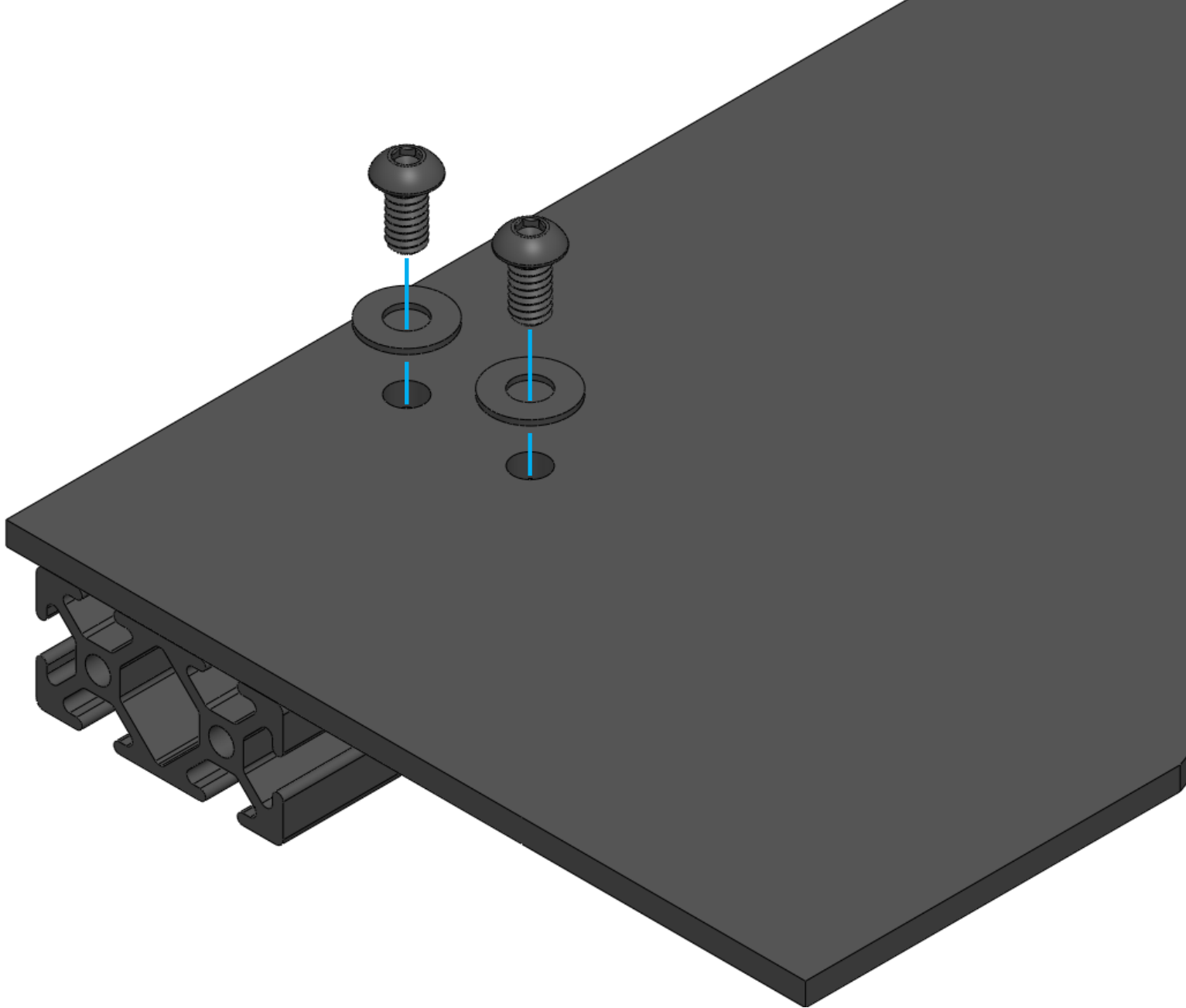


## BEFORE YOU BEGIN

**These instructions apply to the 21", 24", or 30" version of the Sherpa Animas racks. The 16", 36", and 44" Animas instructions are available in a separate booklet.**

## USING TNUTS





## FAIRING ASSEMBLY

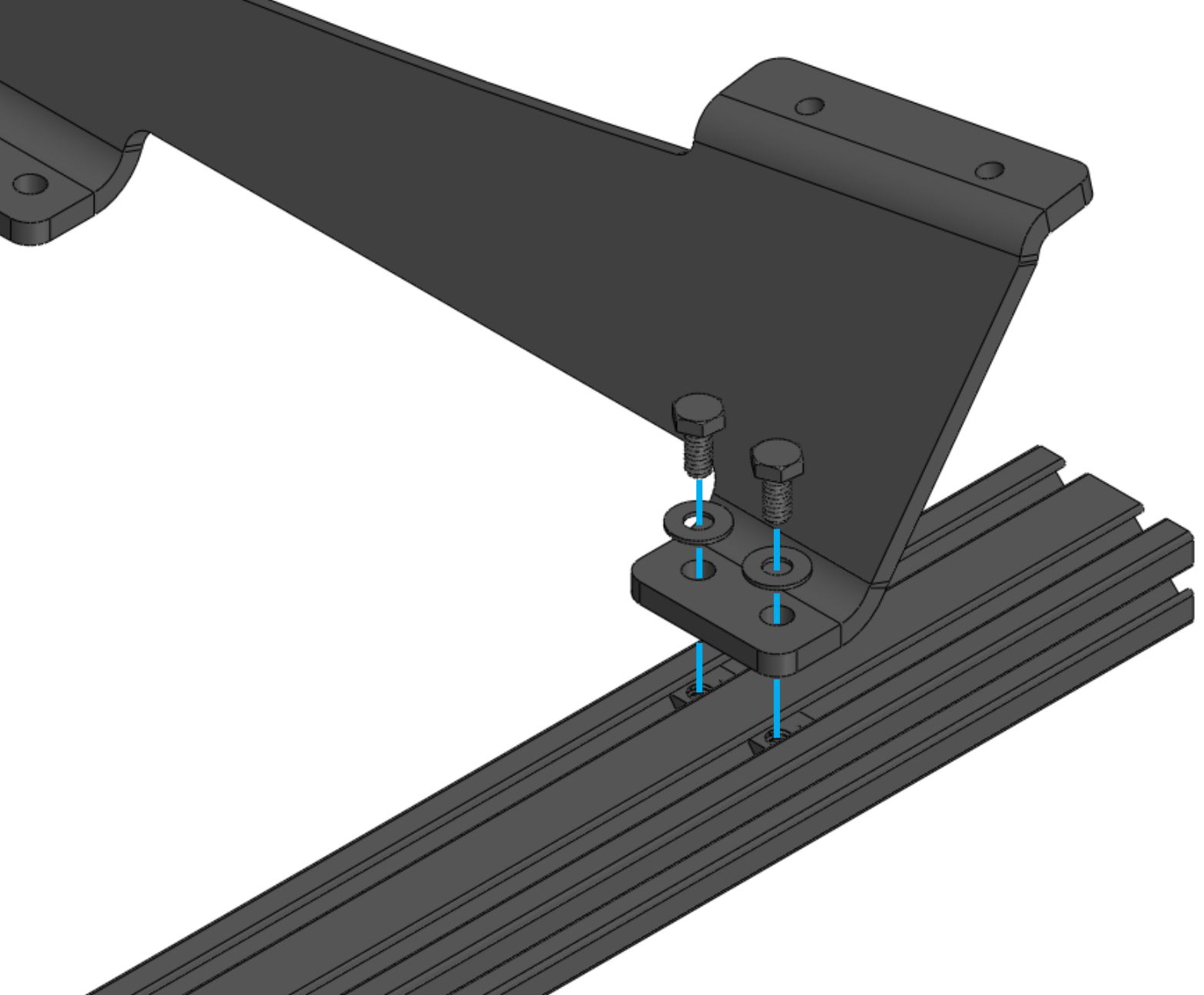
Required Components:

**6x** 1/4"-20 x 1/2"

**6x** 1/4" Flat Washers

**6x** Tnuts

Drop 6 tnuts into the slots on the cross member and line them up with the holes in the fairing. Secure with six 1/4"-20 x 1/2" socket button bolts and washers.



## MOUNT ASSEMBLY 01

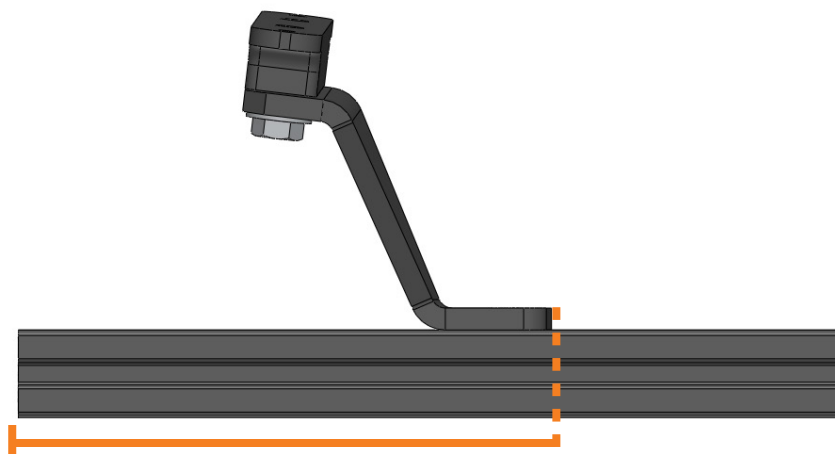
Required Components:

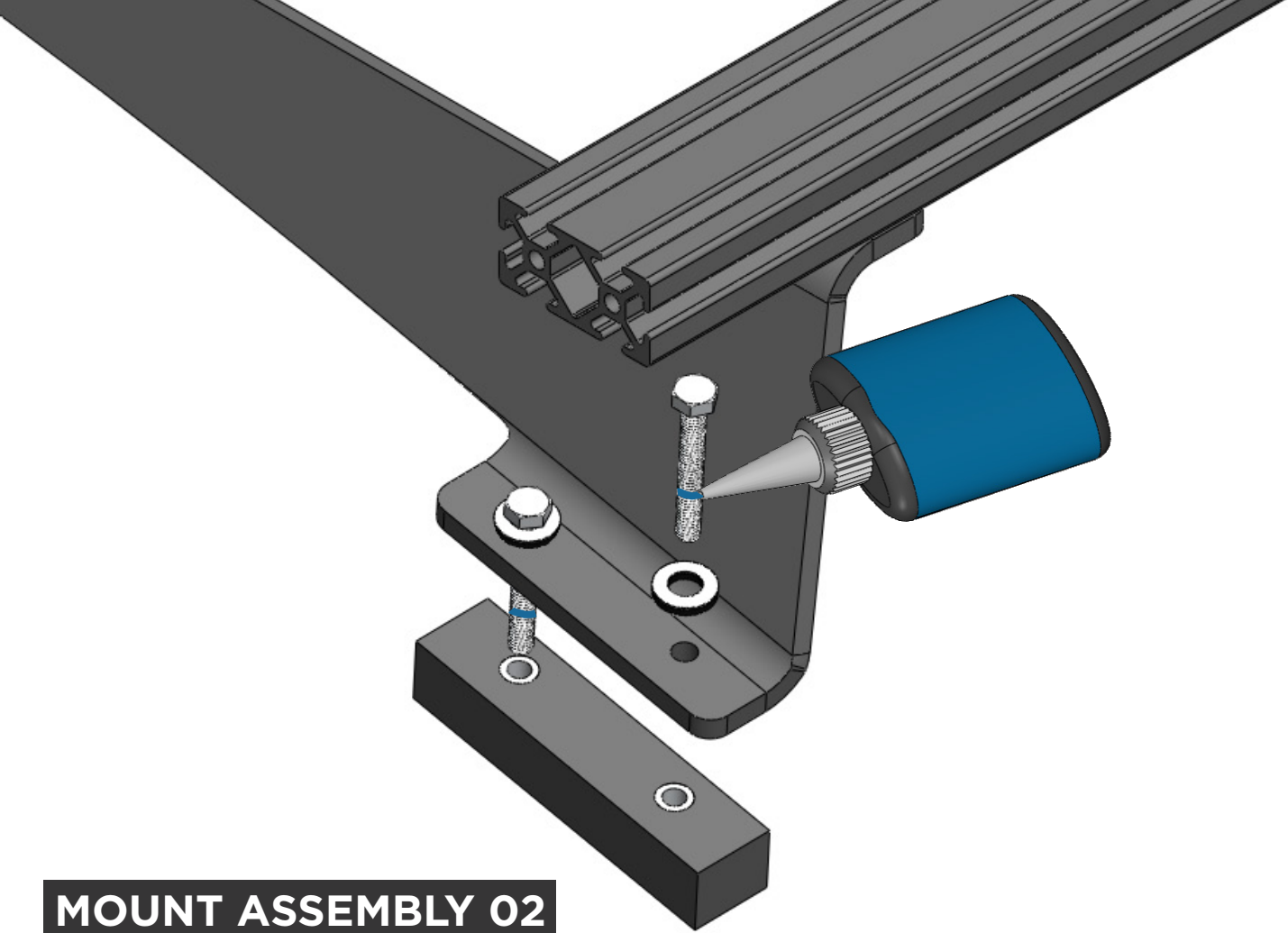
- 8x** 1/4"-20 x 9/16"
- 8x** 1/4" Flat Washers
- 8x** 1/4" Tnuts

Secure the tops of the mounting brackets to the wide faces of the cross members using the supplied T-nuts, 9/16" hex bolts, and flat washers.

Leave the hardware that attaches the mount to the crossbar loose. This will make it easier when placing the rack on the truck.

Later, the rack can be centered on the roof by measuring the **distance from the ends of the crossmember to the inside-edge of the mounting brackets** on either side of the vehicle.





## MOUNT ASSEMBLY 02

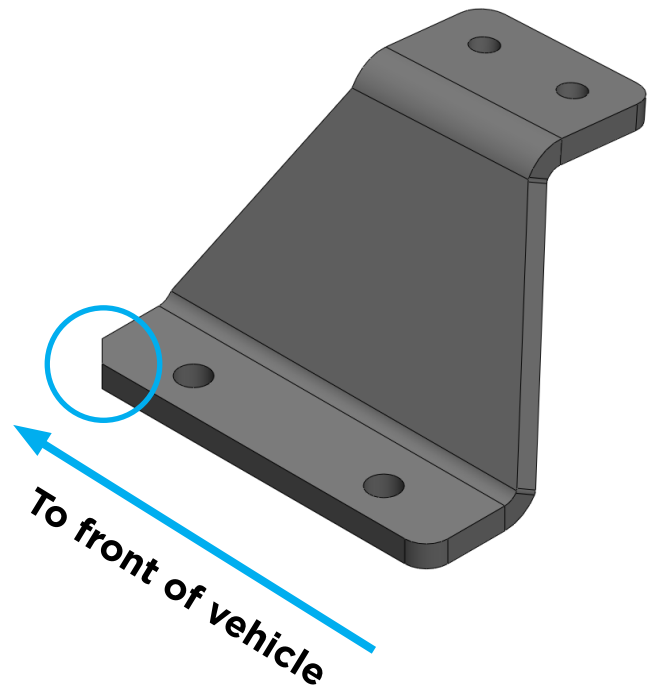
Required Components:

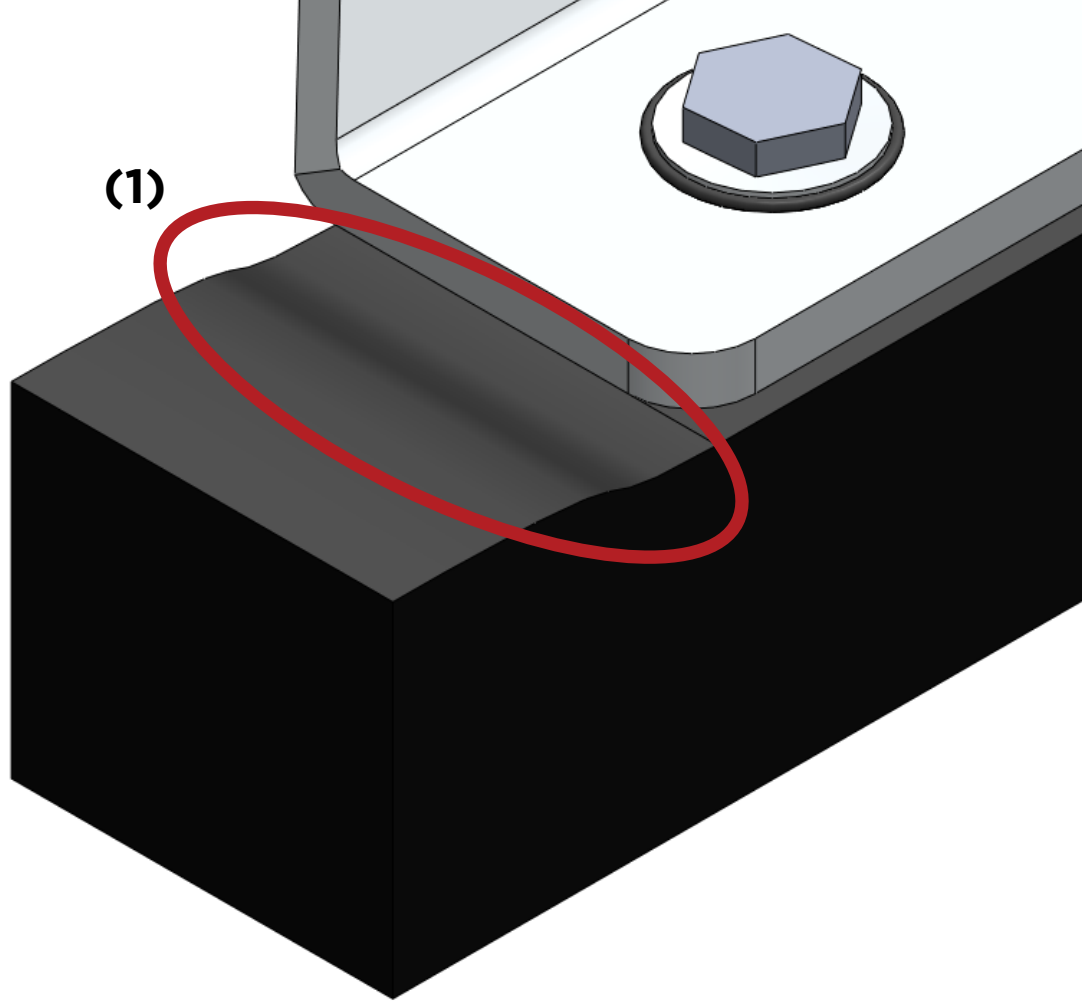
- 8x** M6 X 45 Hex bolts
- 8x** M6 Bonded washer
- 1x** Bottle of threadlocker

Fasten the mounting brackets to the roof by first sliding the rubber spacer over the front and middle sets of factory holes in the roof - **do not expose the rear**. Note that the holes in the rubber are not centered on the block. The 'thinner' side of the rubber should be positioned towards the center of the vehicle.

Place the mounting brackets on top of the rubbers.

Slide the M6 bonded washers on to the M6x45 hex bolts. Apply a small drop of the supplied threadlocker to the threads of the M6x45 hex bolts before sliding them down through the holes in the mounting brackets, and into the factory threads in the roof.

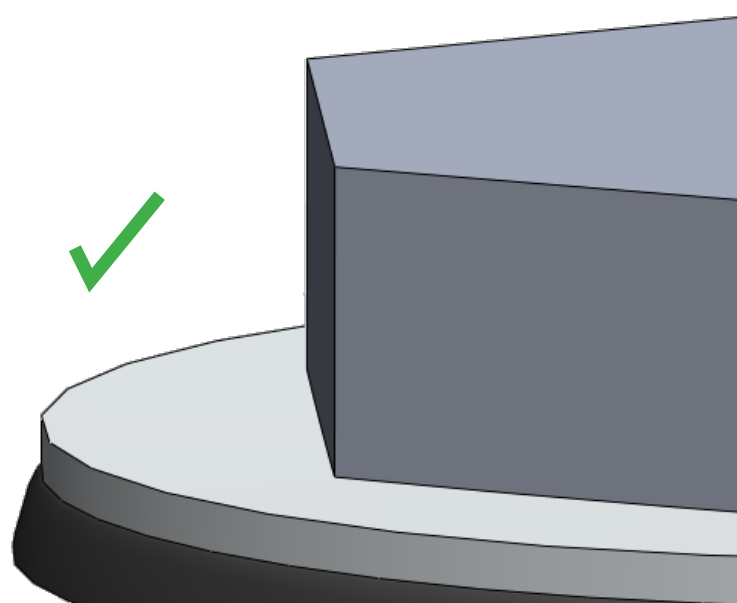
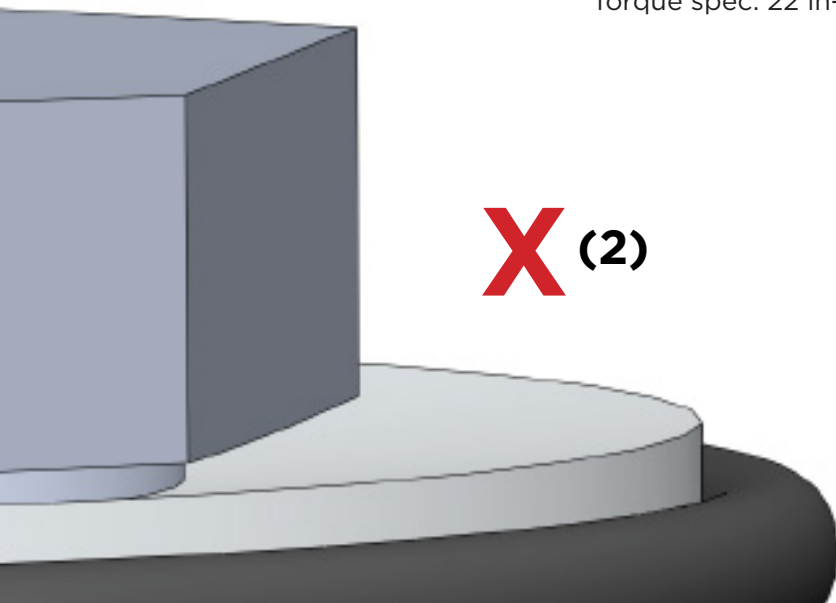


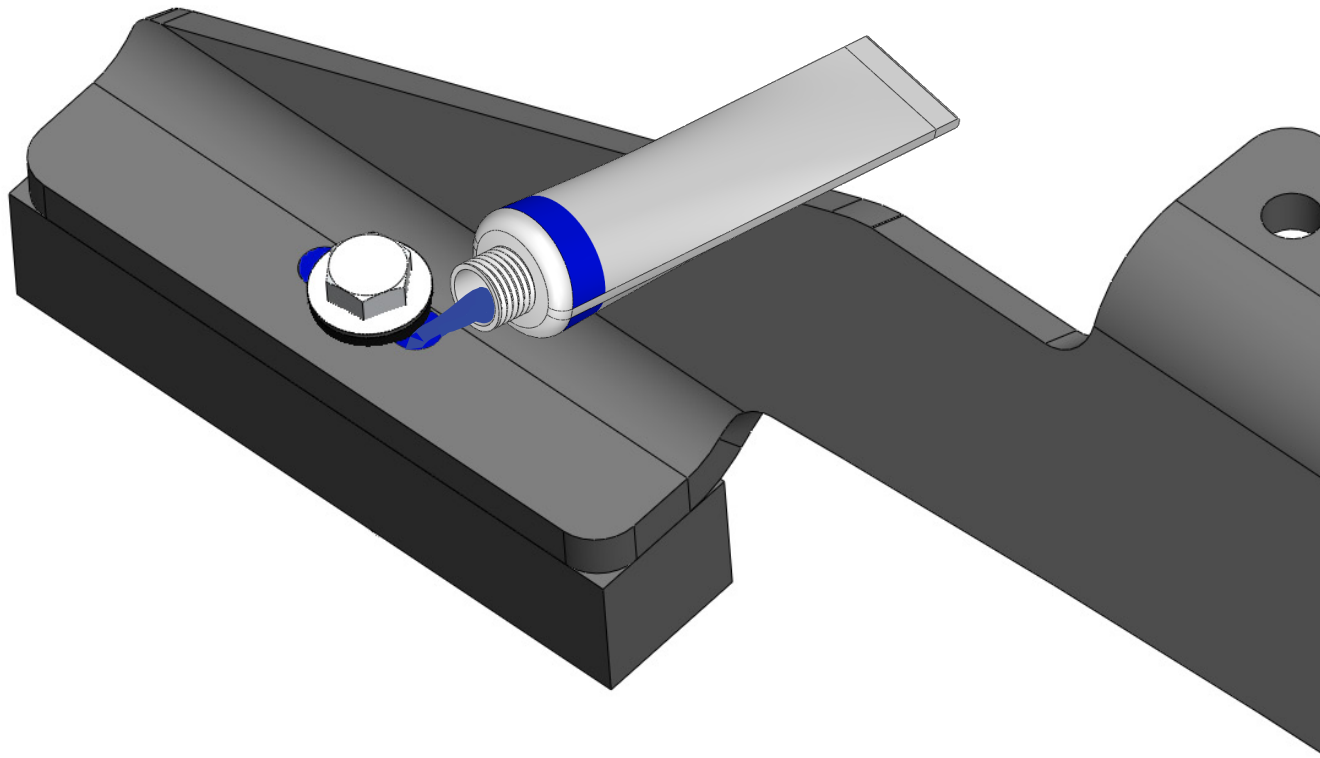


## MOUNT ASSEMBLY 03

Be careful not to overtighten the mounting brackets to the roof. A properly tightened mount will be rigid if pulled on, but the rubber spacer will not be **visibly compressed** (1). Likewise, the rubber portion of the bonded washer will not show excessive 'mushroom'-ing out from underneath the metal portion (2).

Torque spec: 22 in-lbs.





## MOUNT ASSEMBLY 04

A slot has been included in the rear flange of the mounting bracket to accommodate variations in roof construction. Apply the included silicon to these slots in order to seal the roof from weather.

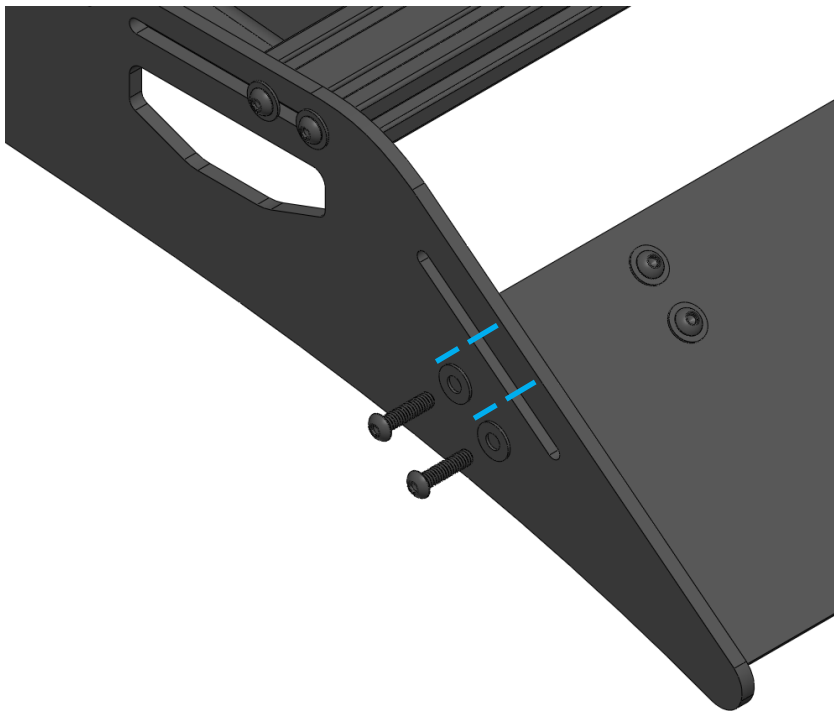
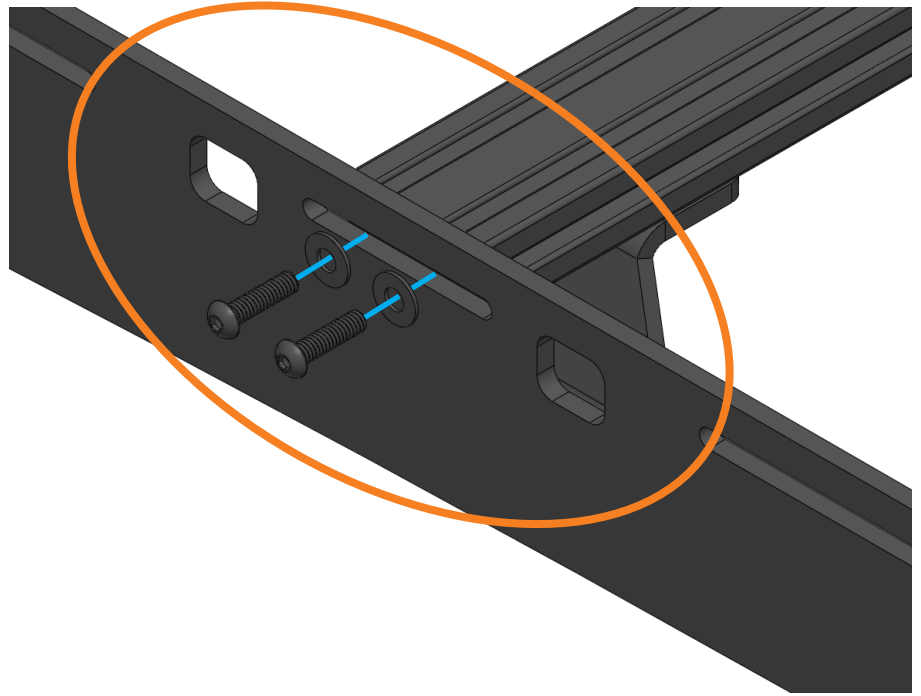
The goal is to fill the open space between the M6x45 hex bolt and the surrounding mounting assembly so that water cannot flow into the threaded holes in the roof. Apply generously.

## SIDEPLATES

Required Components:

- 8x 1/4"-20 x 1" Socket Button
- 8x 1/4" Flat washer

Fasten the sideplates to the ends of the two mounting-foot cross members using the supplied 1" socket buttons and flat washers in the **designated mounting slots**. Refer to the next page for more details on which slots to use.



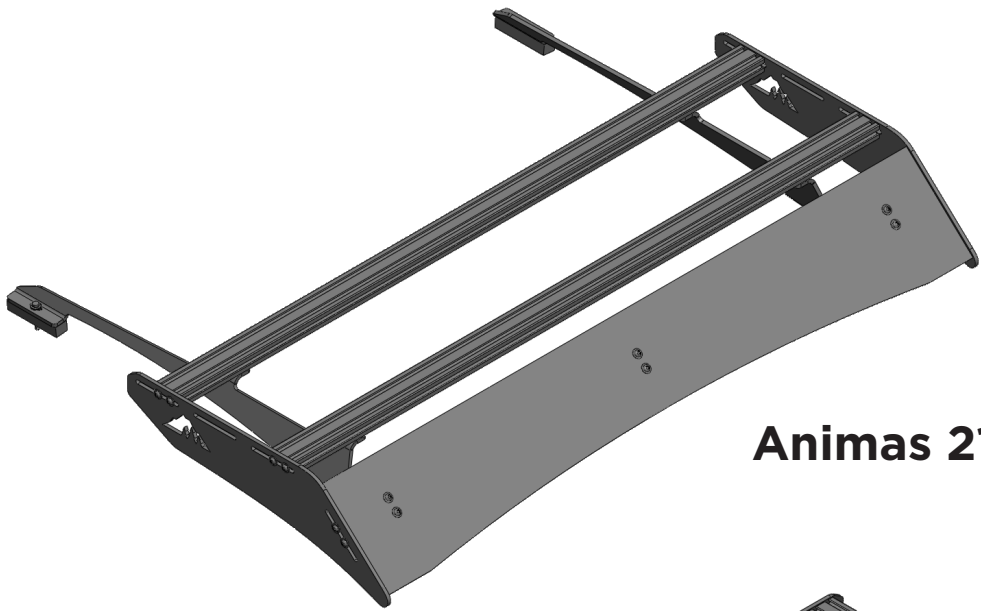
## WIND FAIRING

Required Components:

- 4x 1/4"-20 x 1" Socket button
- 4x 1/4" Flat Washers

Position the wind fairing in line with the diagonal slot at the front of the rack. Align the bottom of the fairing with the tip of the roof rack and secure it using four 1" socket buttons and washers. Note that the wind fairing is NOT intended to sit on the vehicle's roof - a small gap of 1/8" - 1/4" is ideal.

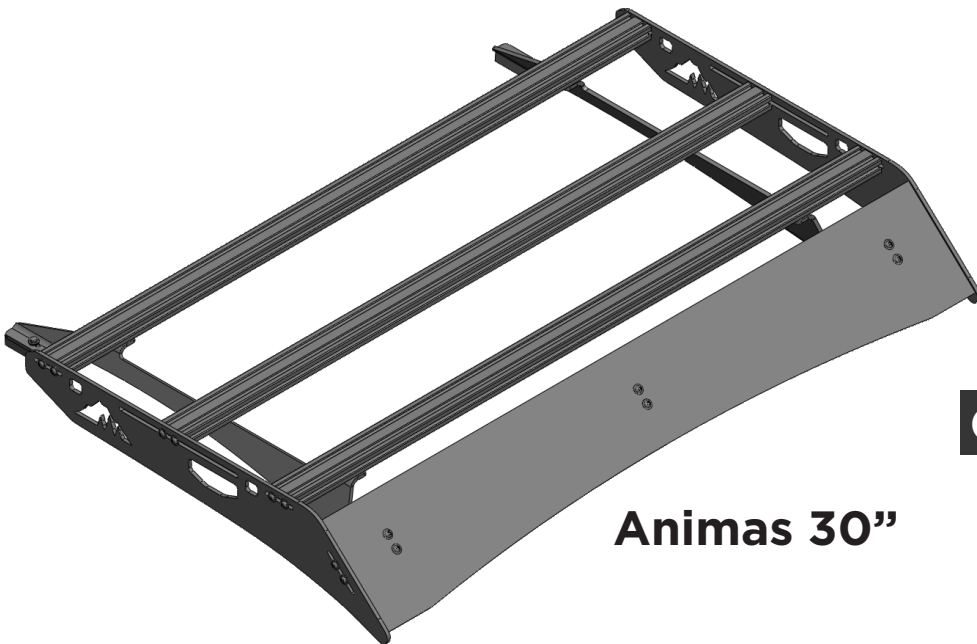




**Animas 21"**



**Animas 24"**



**Animas 30"**

## **CROSS MEMBERS**

Required Components:

**12x** 1/4"-20 x 1" Socket buttons

**12x** 1/4" Flat washers

**3x** 48" Cross members

Secure all of the remaining cross members to the rack system using the 1" socket buttons and washers in the open slots in the sideplate. Position according to your load requirements. Note which cross members have mounting brackets attached to them in these diagrams.



# EXPLORE.



All products built and designed by Sherpa Equipment Company are intended for off-road use and should be assembled, installed, and used according to Sherpa Equipment Company's recommendations. Sherpa Equipment Company's products should be used safely with good judgment towards others and surroundings.

By installing Sherpa Equipment Company's products on your vehicle you assume all liability. Sherpa Equipment Company will not be held liable for damages or loss associated with the installation or use of its products. It is recommended that you inspect your roof rack within the first 100 miles of installation and every 500 miles after.