



# THE ANIMAS

16" | 36" | 44"

I N S T A L L I N S T R U C T I O N S

# HARDWARE CHECKLIST

Exact hardware counts may vary based on the options selected at checkout.

**6**  
M6 Hex  
(45mm)



**12**  
Socket button  
(1/4"-20 x 1")



**8**  
Hex bolt  
(1/4"-20 x 9/16")



**6**  
1/4"-20  
(1/2")



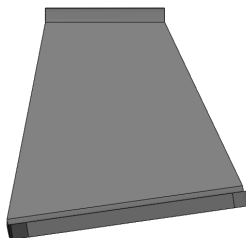
**14**  
1/4-20"  
T-nut



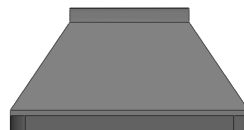
**6**  
M6 Bonded  
washer



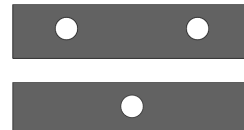
**34**  
1/4" Flat  
washer



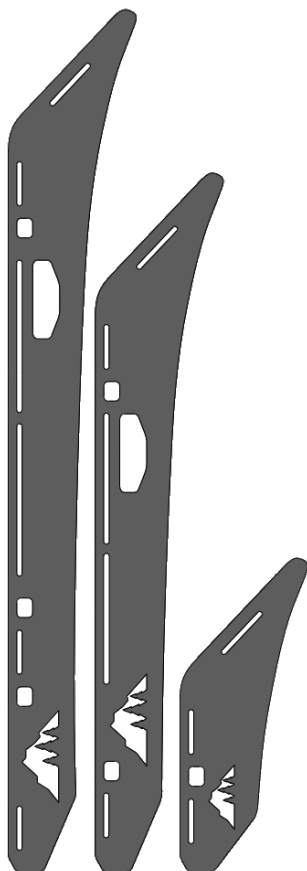
**2**  
Front  
Mounting  
Brackets



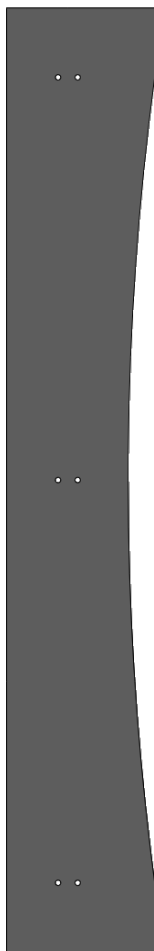
**2**  
Rear  
Mounting  
Brackets



**4**  
M6  
Rubber  
Pads



Sideplates



Wind Fairing  
w/ Edge Trim



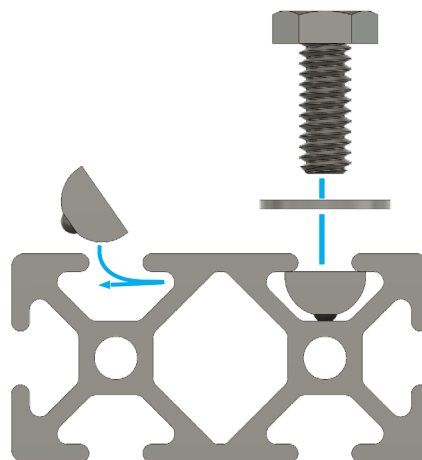
Extrusion  
Crossbars

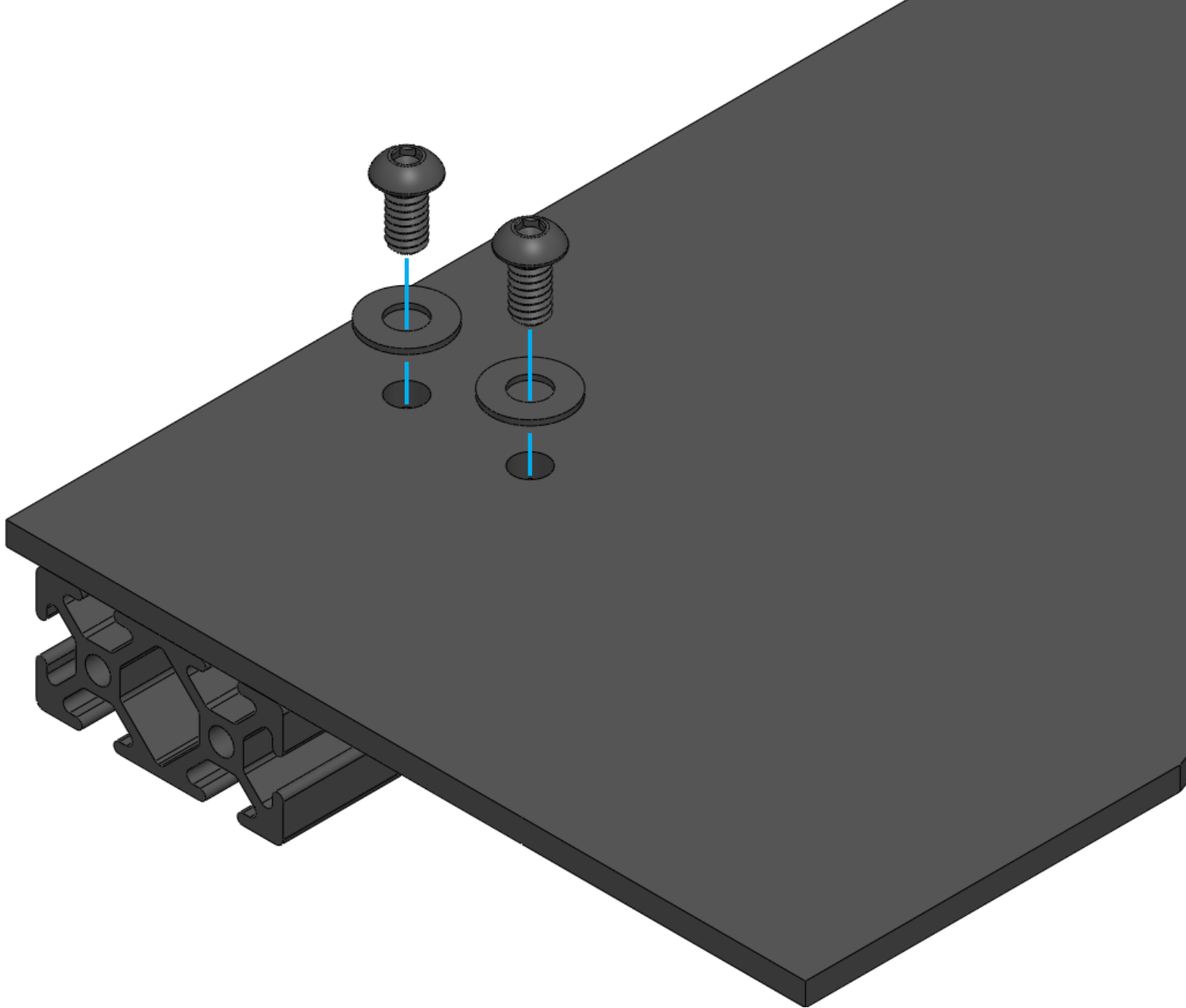
\* The 16" Animas version will come with less hardware than the 36" or 44" options, which are listed here.

## BEFORE YOU BEGIN

These instructions apply to the 16", 36", or 44" version of the Sherpa Animas racks. The 21", 24", and 30" Animas instructions are available in a separate booklet.

## USING TNUTS





## FAIRING ASSEMBLY

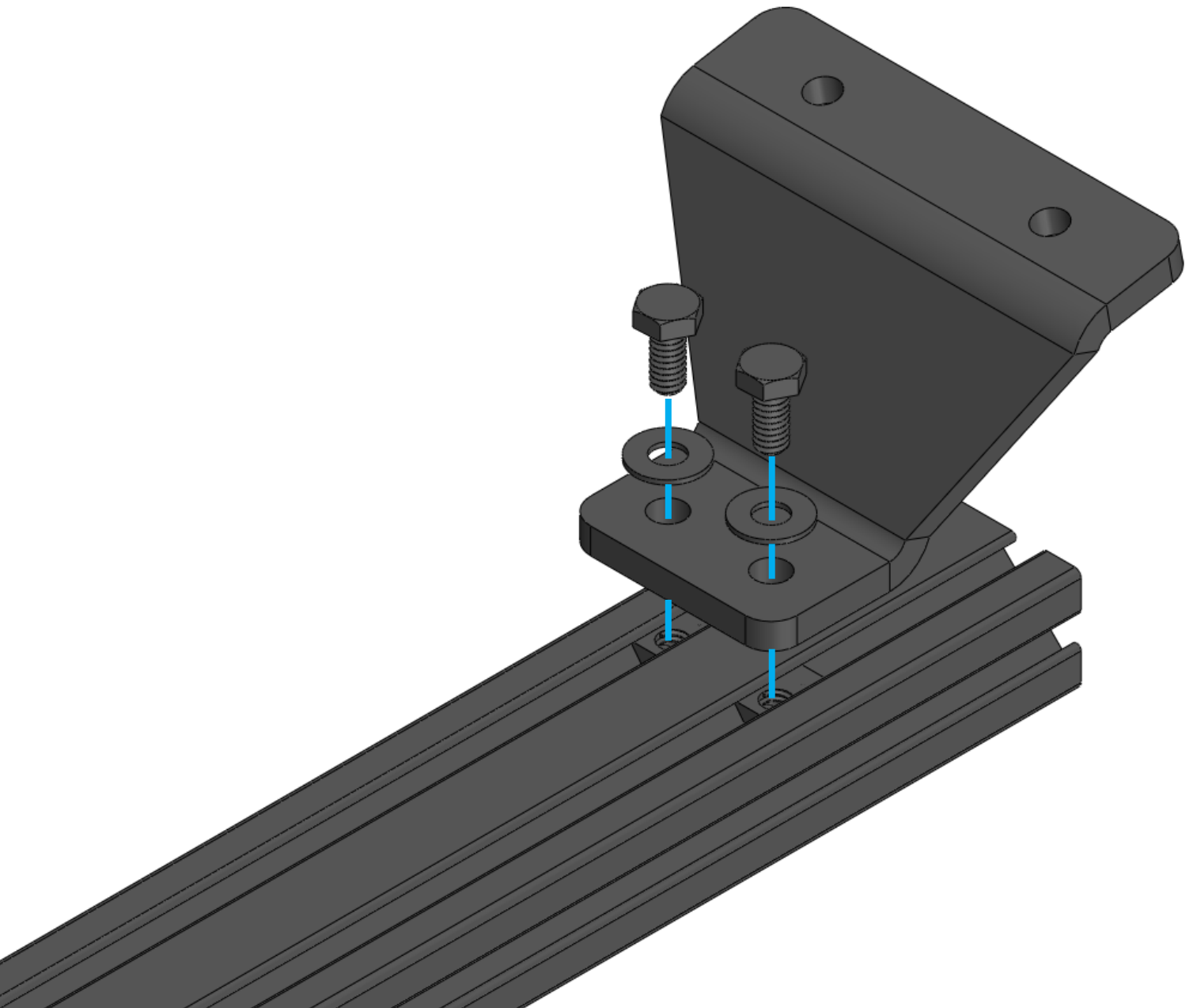
Required Components:

**6x** 1/4"-20 x 1/2"

**6x** 1/4" Flat Washers

**6x** Tnuts

Drop 6 tnuts into the slots on the cross member and line them up with the holes in the fairing. Secure with six 1/4"-20 x 1/2" socket button bolts and washers.



## MOUNT ASSEMBLY 01

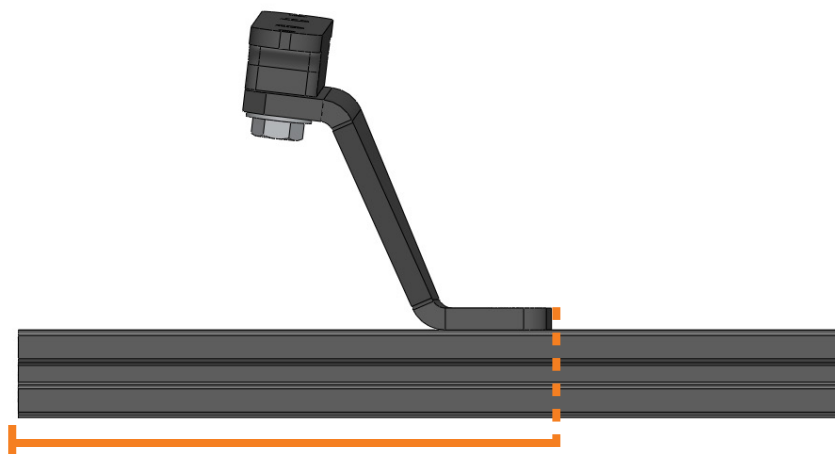
Required Components:

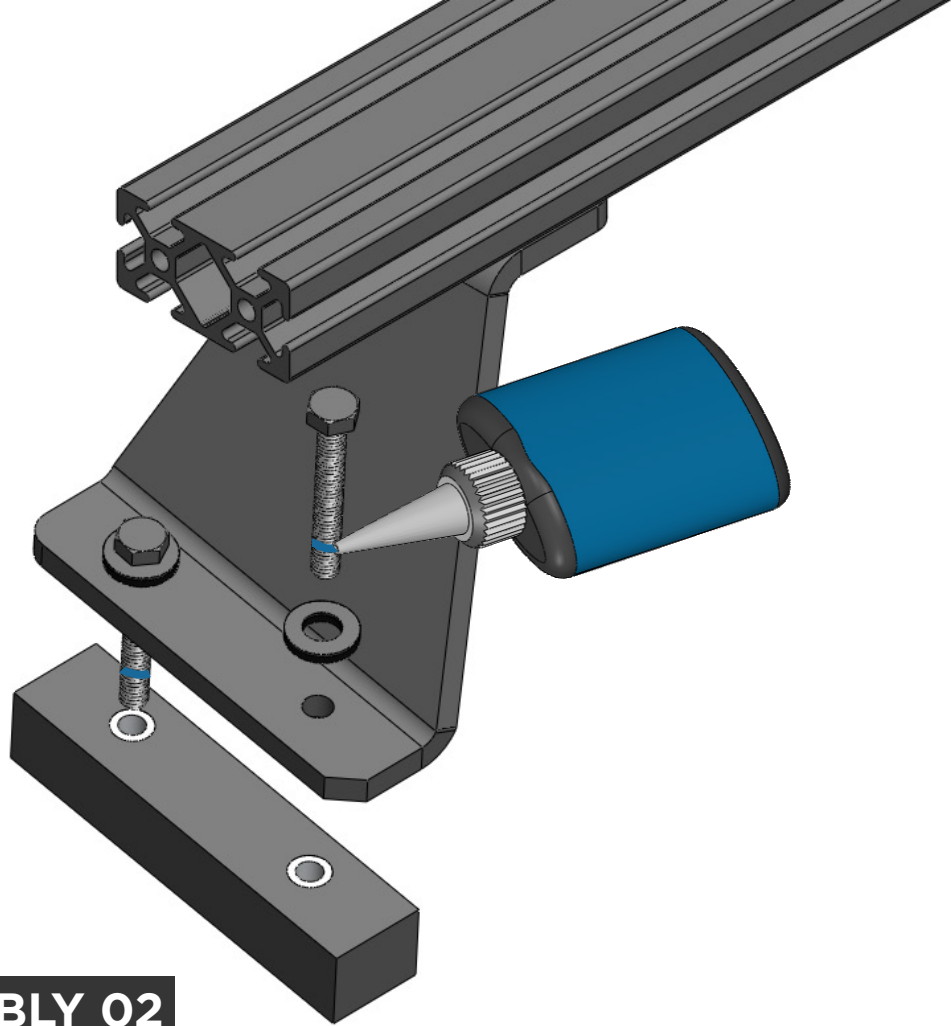
- 8x** 1/4"-20 x 9/16"
- 8x** 1/4" Flat Washers
- 8x** 1/4" Tnuts

Secure the tops of the mounting bracket pairs to the wide faces of the cross members using the supplied T-nuts, 9/16" hex bolts, and flat washers.

Leave the hardware that attaches the mount to the crossbar loose. This will make it easier when placing the rack on the truck later.

Later, the rack can be centered on the roof by measuring the **distance from the ends of the crossmember to the inside-edge of the mounting brackets** on either side of the vehicle.





## MOUNT ASSEMBLY 02

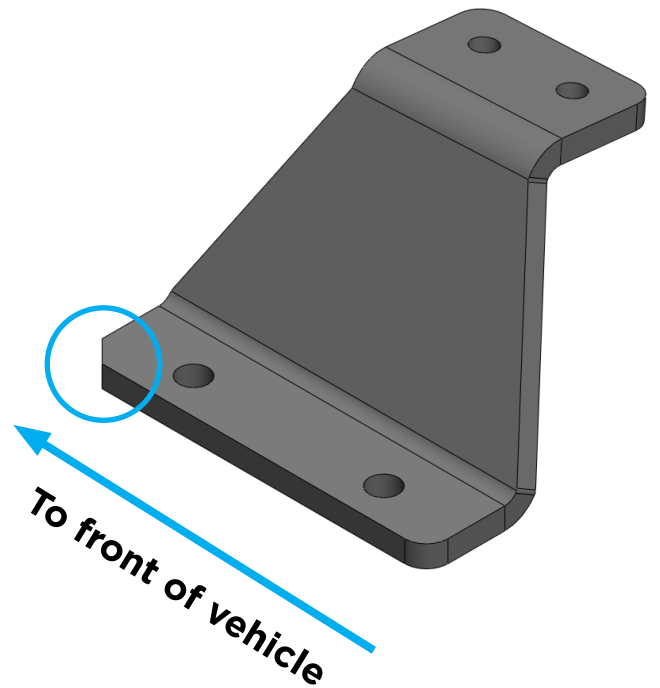
Required Components:

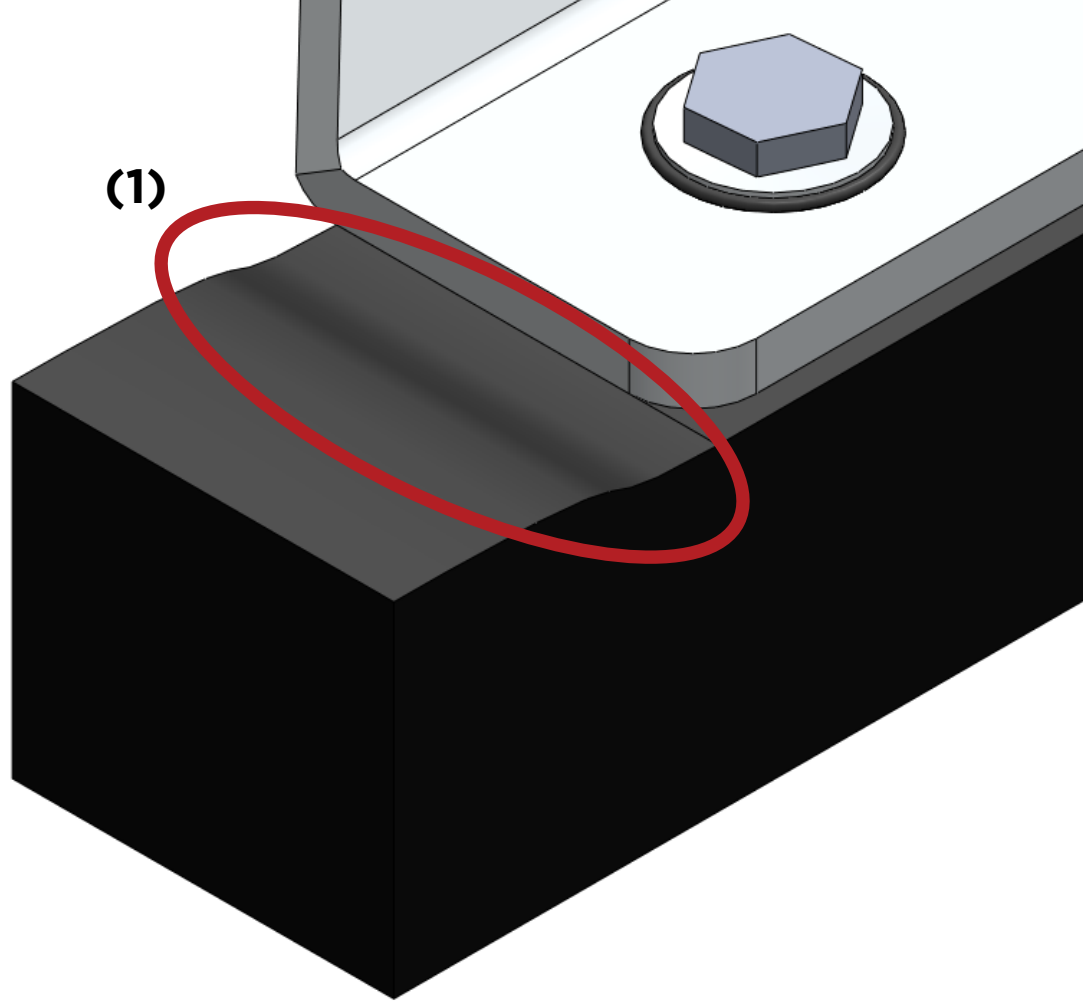
- 8x** M6 X 45 Hex bolts
- 8x** M6 Bonded washer
- 1x** Bottle of threadlocker

Fasten the mounting brackets to the roof by first sliding the rubber spacer over the front (16", 36", 44") and middle (36", 44") sets of factory holes in the roof - **do not expose the rear**. Note that the holes in the rubber are not centered on the block. The 'thinner' side of the rubber should be positioned towards the center of the vehicle.

Place the mounting brackets that are attached to the crossmembers on top of the rubbers. The notch in the bottom corner of the mounting brackets will face towards the front of the vehicle.

Slide the M6 bonded washers on to the M6x45 hex bolts. Apply a small drop of the supplied threadlocker to the threads of the M6x45 hex bolts before sliding them down through the holes in the mounting brackets and rubber spacers and threading them into the factory threads in the roof.



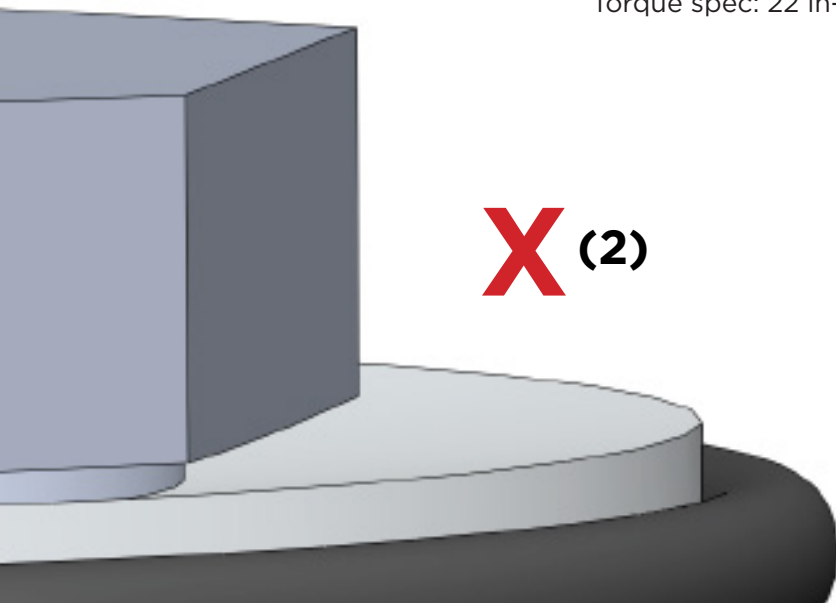


(1)

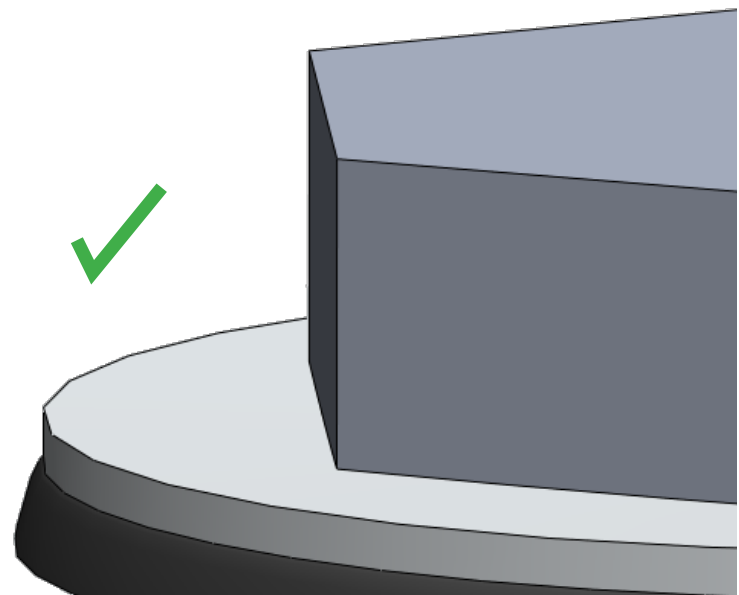
### MOUNT ASSEMBLY 03

Be careful not to overtighten the mounting brackets to the roof. A properly tightened mount will be rigid if pulled on, but the rubber spacer will not be **visibly compressed** (1). Likewise, the rubber portion of the bonded washer will not show excessive 'mushroom'-ing out from underneath the metal portion (2).

Torque spec: 22 in-lbs.



X (2)



✓

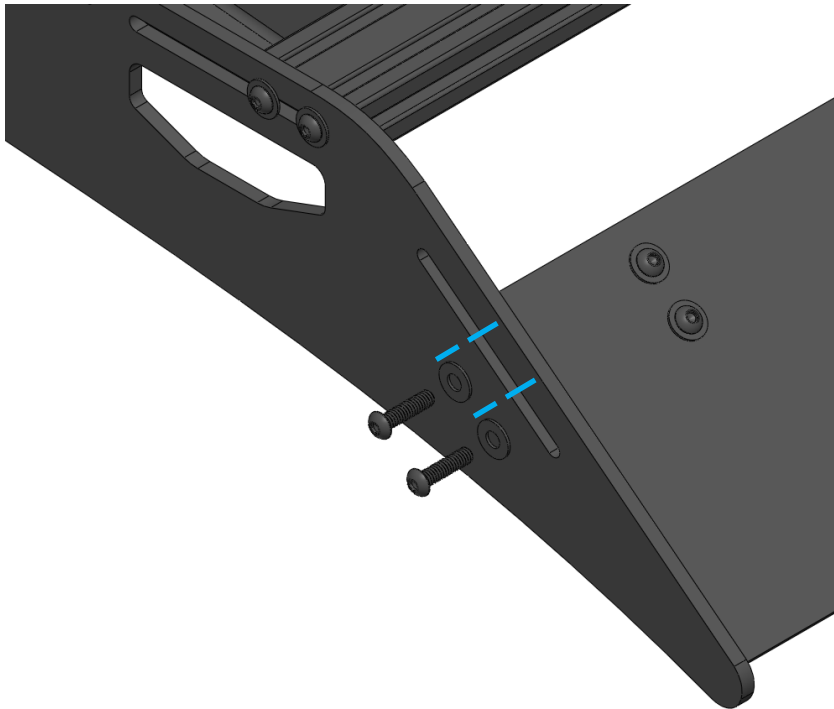
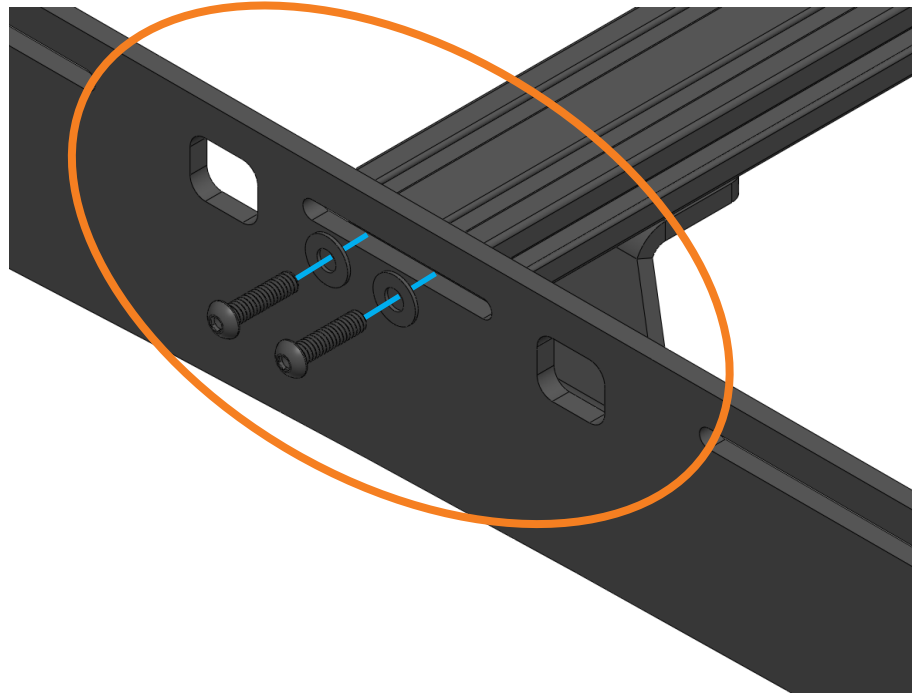
## SIDEPLATES

Required Components:

**8x** 1/4"-20 x 1" Socket Button

**8x** 1/4" Flat washer

Fasten the sideplates to the ends of the two mounting-foot cross members using the supplied 1" socket buttons and flat washers in the **designated mounting slots**. Refer to the next page for more details on which slots to use. Recall that the brackets come in pairs denoted by the 'F' (front) or 'R' (rear).



## WIND FAIRING

Required Components:

**4x** 1/4"-20 x 1" Socket button

**4x** 1/4" Flat Washers

Position the wind fairing in line with the diagonal slot at the front of the rack. Align the bottom of the fairing with the tip of the roof rack and secure it using four 1" socket buttons and washers. Note that the wind fairing is NOT intended to sit on the vehicle's roof - a small gap of 1/8" - 1/4" is ideal.



**Animas 16"**



**Animas 36"**



**Animas 44"**

## **CROSS MEMBERS**

Required Components:

**12x** 1/4"-20 x 1" Socket buttons

**12x** 1/4" Flat washers

**3x** 48" Cross members

Secure all of the remaining cross members to the rack system using the 1" socket buttons and washers in the open slots in the sideplate. Position according to your load requirements. Note which cross members have mounting brackets attached to them in these diagrams.



# EXPLORE.



All products built and designed by Sherpa Equipment Company are intended for off-road use and should be assembled, installed, and used according to Sherpa Equipment Company's recommendations. Sherpa Equipment Companies products should be used safely with good judgment towards others and surroundings.

By installing Sherpa Equipment Companies products on your vehicle you assume all liability. Sherpa Equipment Company will not be held liable for damages or loss associated with the installation or use of its products. It is recommended that you inspect your roof rack within the first 100 miles of installation and every 500 miles after.