



THE YALE

I N S T A L L I N S T R U C T I O N S

HARDWARE CHECKLIST

Exact hardware color counts may vary based on the options selected at checkout.

12

M6-1.00
(45mm)



36

1/4"-20
(1")



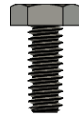
4

Carriage bolt
(1/4"-20 x1")



16

1/4"-20
(5/8")



6

1/4"-20
(1/2")



54

1/4" Flat
Washer



22

1/4" TNut



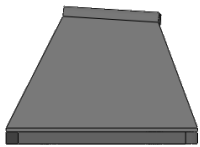
12

M6 Bonded
Washer



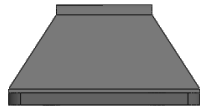
4

Nylock nuts



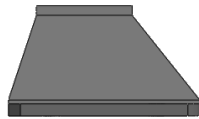
2

FRONT
BRACKETS



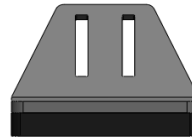
2

MIDDLE
BRACKETS



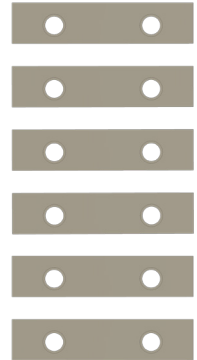
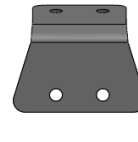
2

REAR
BRACKETS



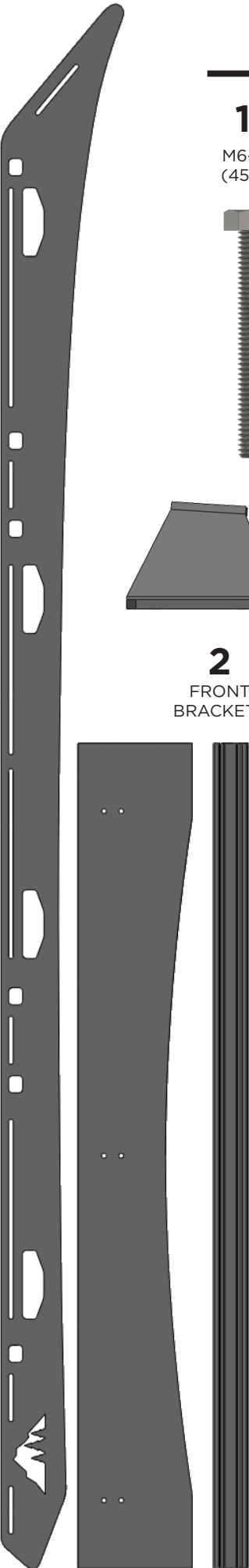
2

ADJUSTABLE
MOUNTS



6

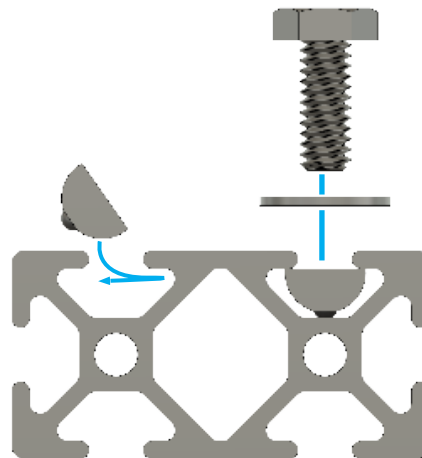
RUBBER
SPACERS

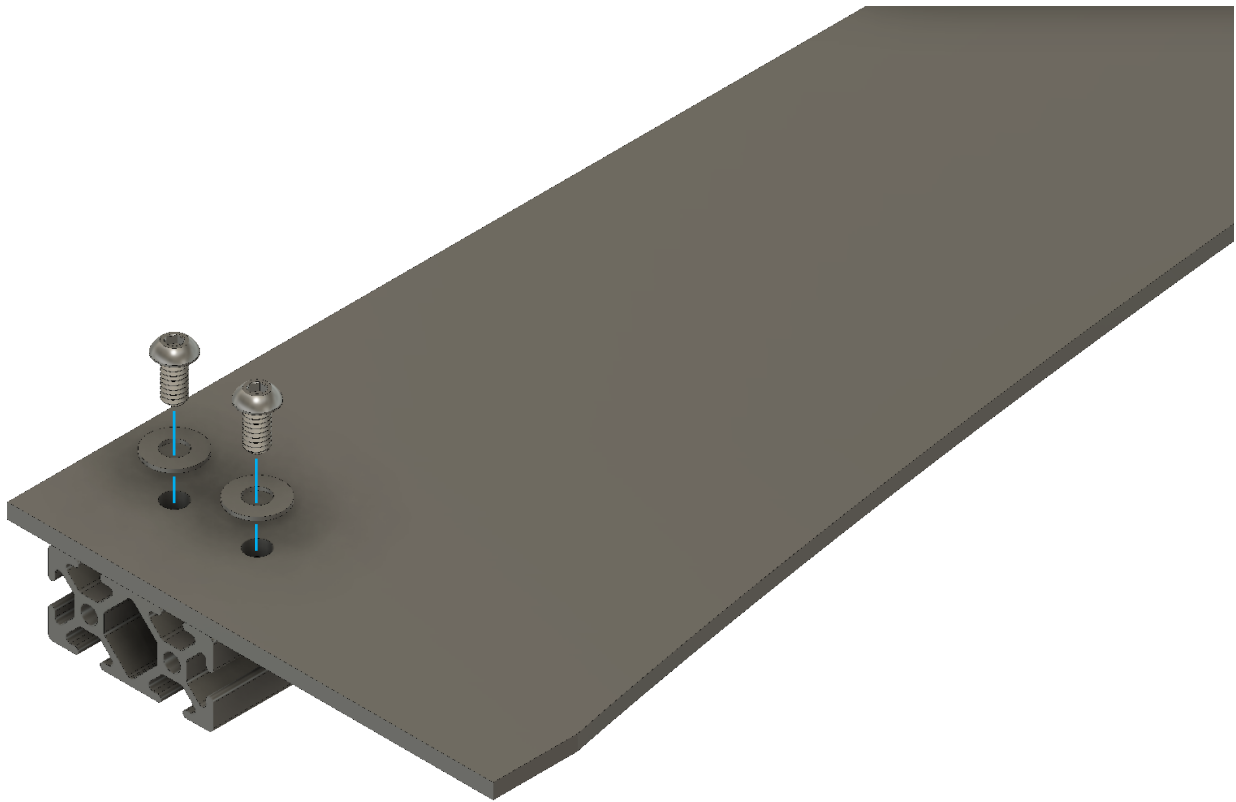


BEFORE YOU BEGIN

Remove your stock roof rack (if applicable). Loosen all stock rack bolts before fully removing any of them. This will prevent the capture plates from working loose inside of the roof. Work slowly when removing the stock rack as not to break the plastic sleeves.

USING TNUTS





PRE-ASSEMBLY

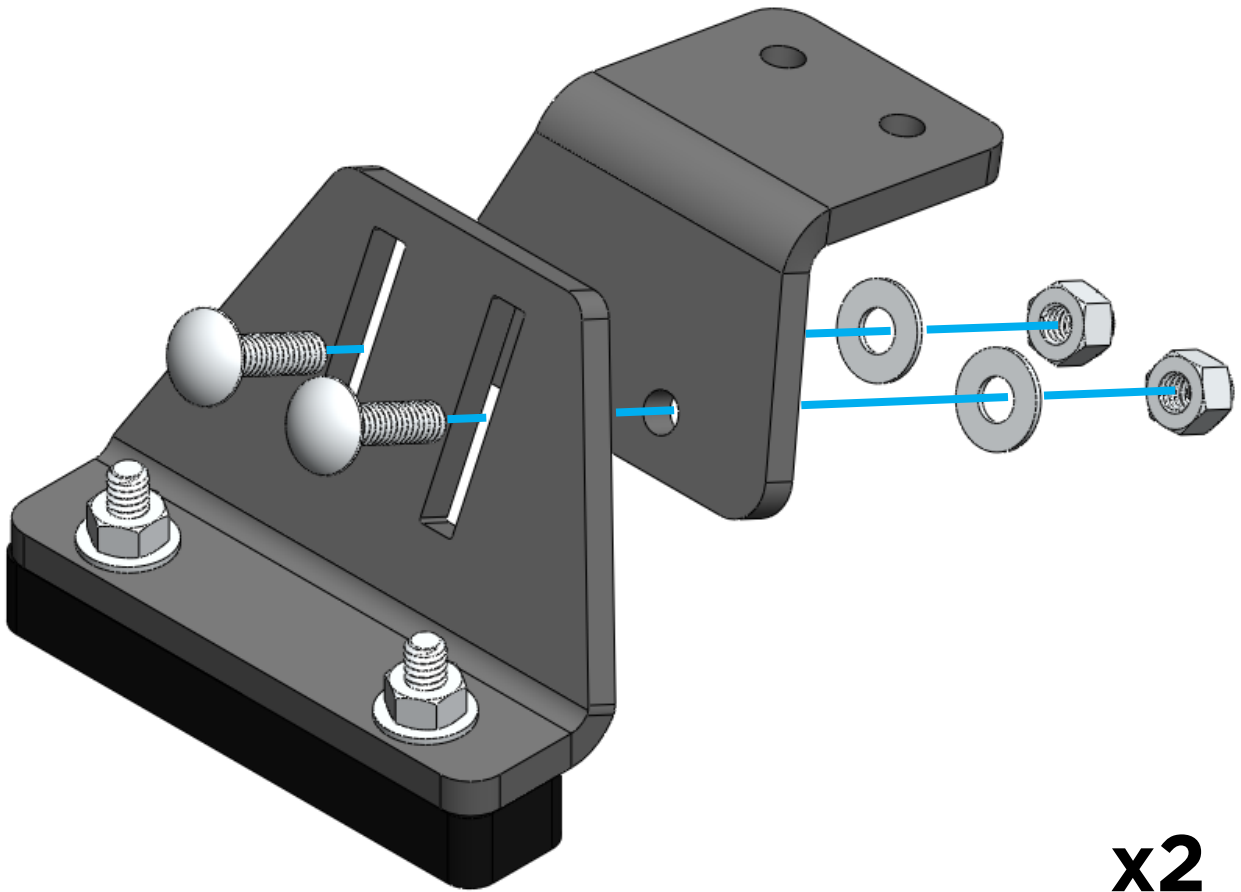
Required Components:

6x 1/4"-20 x 1/2"

6x 1/4" Flat Washers

6x Tnuts

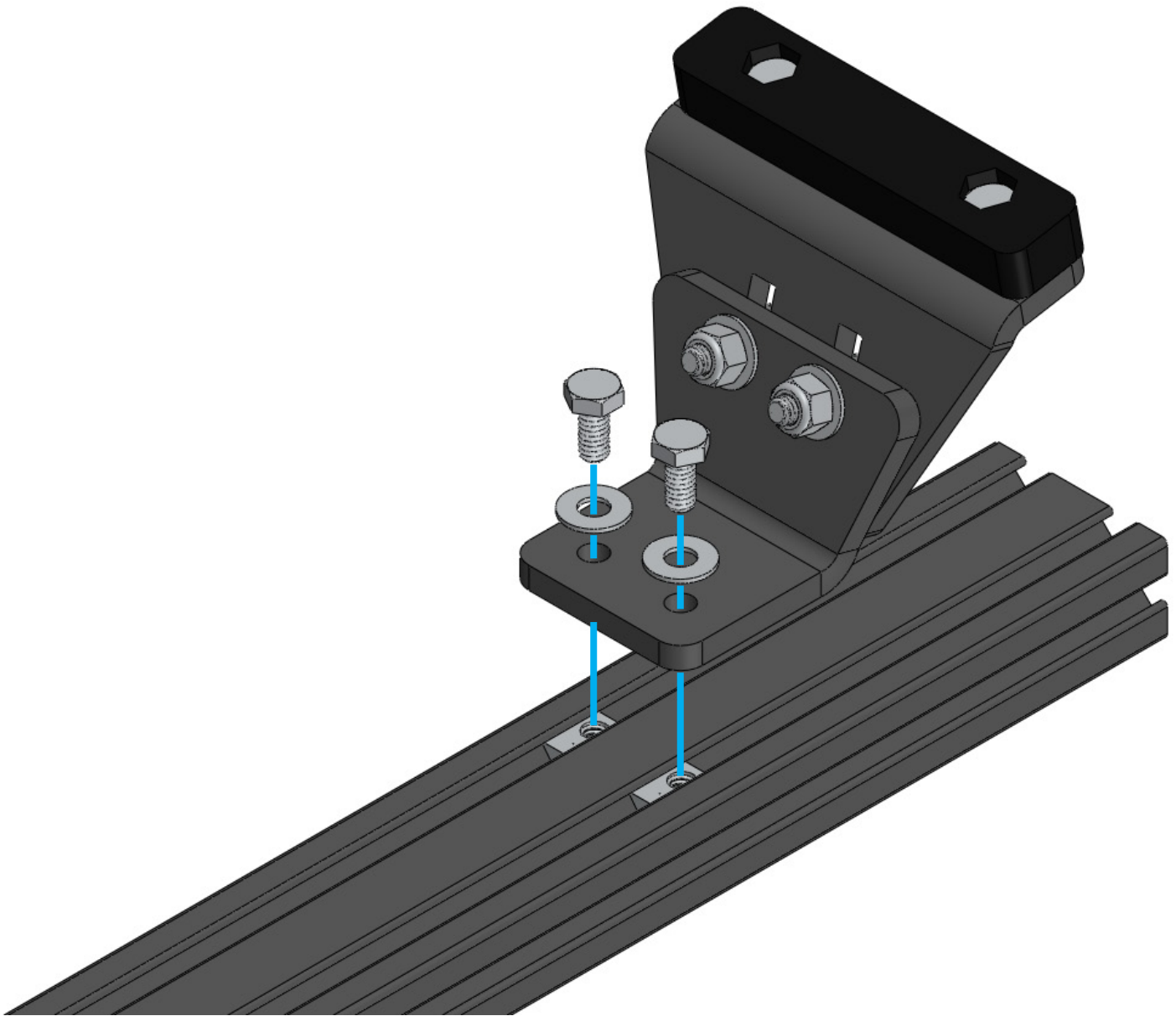
Drop 6 tnuts into the slots on the cross member and line them up with the holes in the fairing. Secure with 6 bolts and washers.



PRE-ASSEMBLY

- Required Components:
- 4x** 1/4"-20 x 1" Carriage bolt
 - 12x** 1/4" Flat Washers
 - 4x** Nylon Lock Nuts

Install the hardware as pictured above, but leave the assembly loose so that it can be adjusted during a later step.



PRE-ASSEMBLY

Required Components:

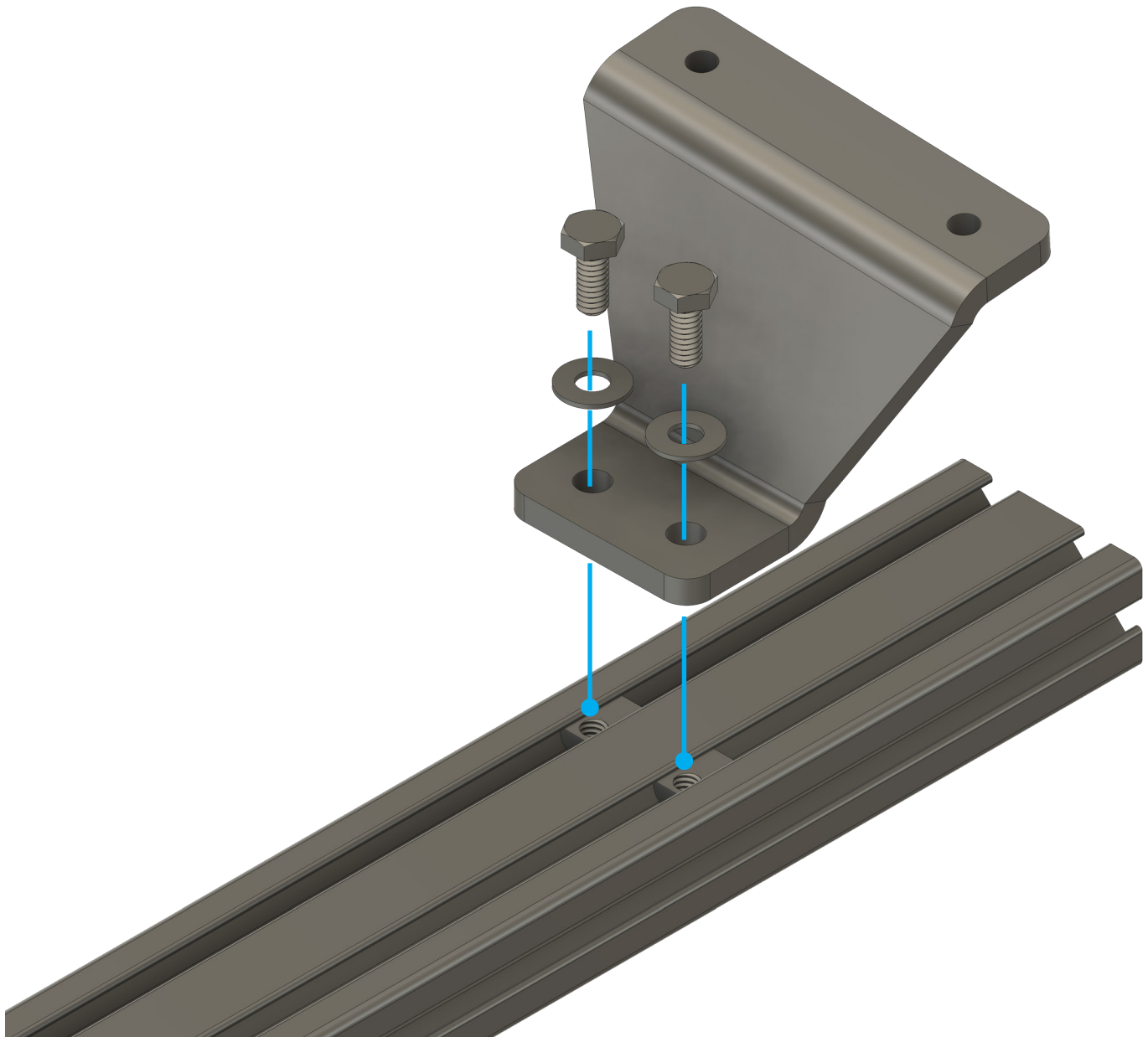
4x 1/4"-20 x 5/8" Hex bolt

4x 1/4" Flat Washers

4x T-nuts

Drop two t-nuts into the slotted profile of the extrusion. Fasten the front leveling mounts to the crossbar by threading four bolts and washers through the leveling bracket and into the t-nuts. Repeat this step so that both adjustable feet are mounted to the same cross member.





PRE-ASSEMBLY

Required Components:

12x 1/4"-20 x 5/8"

12x 1/4" Flat Washers

12x 1/4" Nuts

Secure top of the mounting brackets to the three main cross members.

Leave the hardware that attaches the mount to the crossbar loose. This will make it easier when centering the bars later.

01

Required Components:

12x M8 Bolts

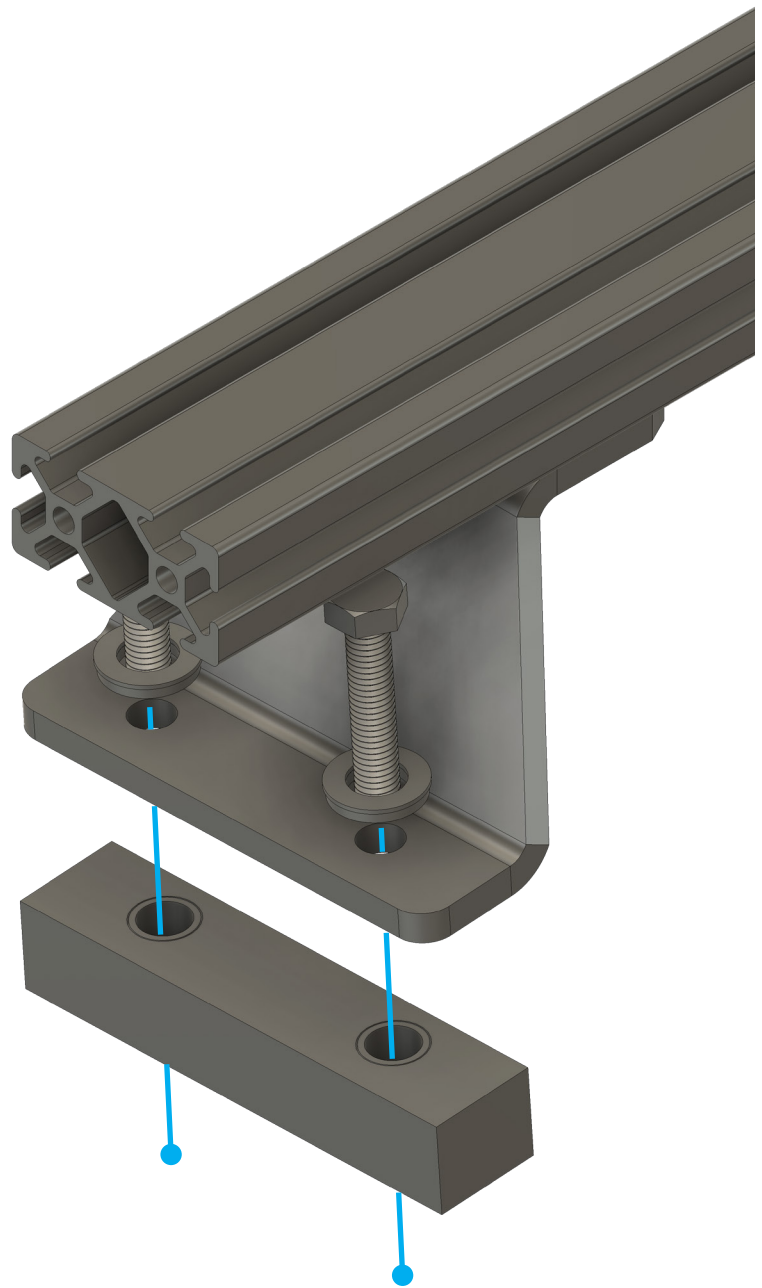
12x M8 Flat Washers

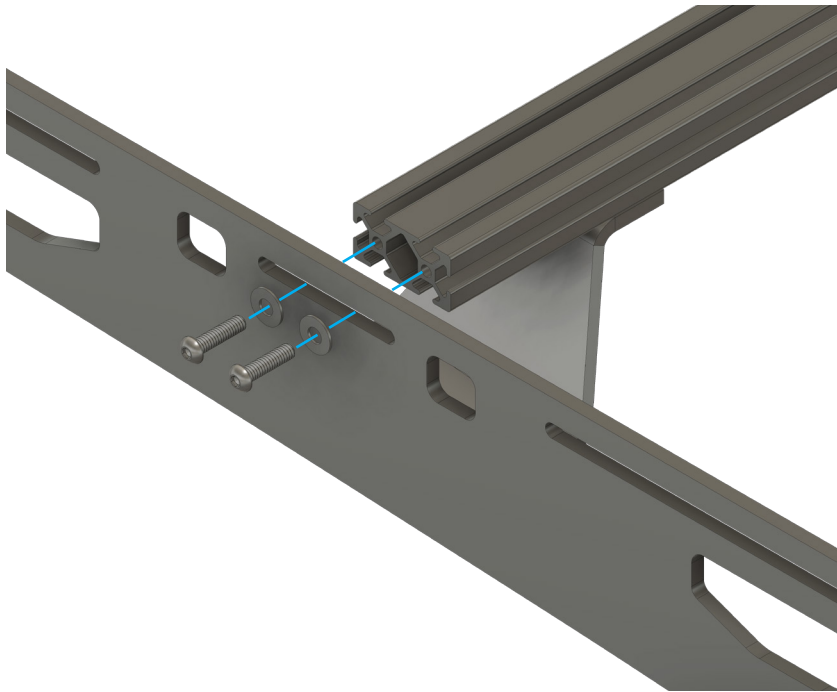
Next, install the three sets of mounting brackets. There is one bracket that is canted to one side. These are designed to push the rear crossbar away from the XM antenna at the back of the truck. Align the rubber spacers with the factory holes in your roof gutter. The metal sleeves should slide over the OEM white plastic tubes. The thin side of the rubber should be positioned towards the center of the vehicle.

Position the mounting bracket over the rubber spacer and secure it with 12 bolts and bonded washers passed through the bracket, rubber, and into the holes in the roof.

The bonded washers should compress and become flat, but not concave. Do not over tighten these mounts.

TORQUE SPEC: 22in-lb





02

Required Components:

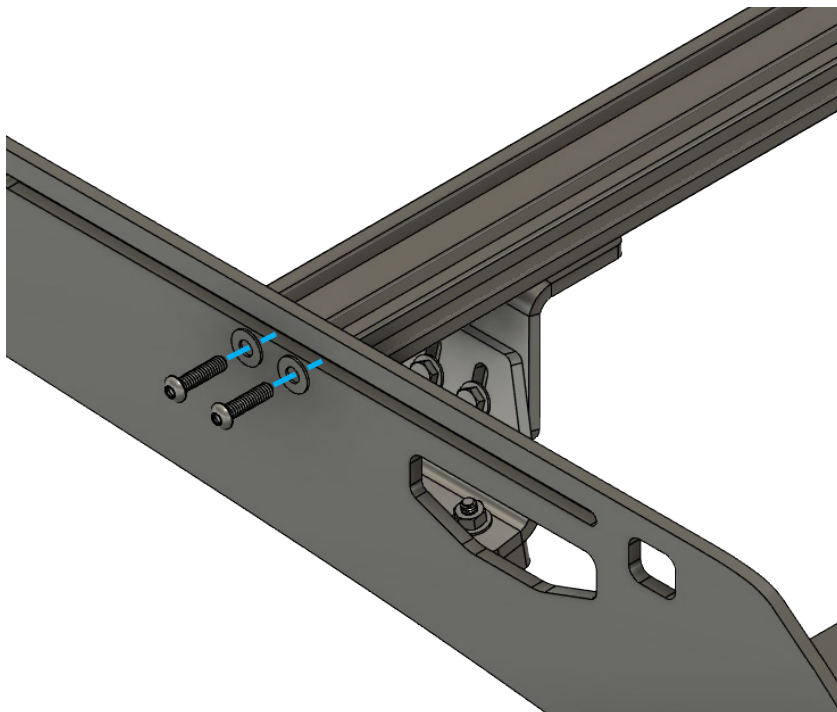
12x 1/4"-20 x 1"

12x 1/4" Flat Washers

After the main support cross members have been secured to the vehicle, you can use a tape measure and center all of the bars on the vehicle. We recommend measuring from the inside edge of the mount to the outside face of the crossbar.

Once all the bars are centered, install the side plates. Align the small slots in the rack side with the ends of the main support crossmembers. Secure it using 12 bolts and washers. Leave the bolts loose enough to move the sideplate to the position that matches the curve of the vehicle.

Once the rack is positioned correctly, tighten down all of the hardware for the rack sides, mounting hardware and roof track bolts.



03

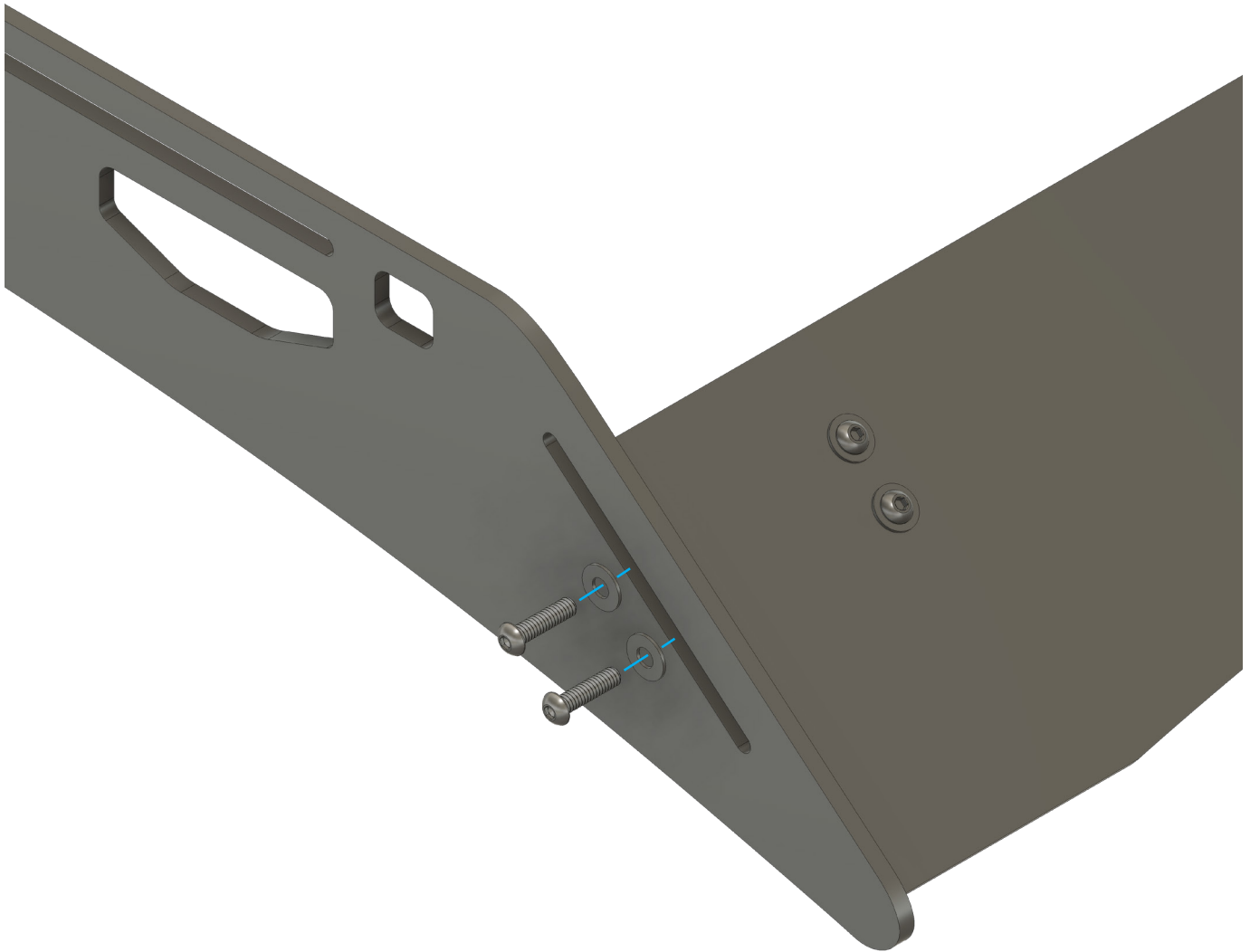
Required Components:

4x 1/4"-20 x 1"

4x 1/4" Flat Washers

Position the crossbar with the adjustable mounts in the forward most side plate slot. This mount is designed to better distribute the load at the front of the rack.

To set the height of these mounts correctly, push the base of the mount downwards into the vehicle while pulling up on the rack. Tighten the bolts in the center of the mount in this position. The goal is to make these brackets as tight as possible (pressure) to the vehicle.



04

Required Components:

4x 1/4"-20 x 1"

4x 1/4" Flat Washers

Position the wind fairing in line with the diagonal slot at the front of the rack. Align the bottom of the fairing with the tip of the roof rack and secure it using 4 bolts and washers.



05

Required Components:

16x 1/4"-20 x 1"

16x 1/4" Flat Washers

Secure all of the remaining cross members to the rack system. Position according to your load requirements.

EXPLORE.

All products built and designed by Sherpa Equipment Company are intended for off-road use and should be assembled, installed, and used according to Sherpa Equipment Company's recommendations. Sherpa Equipment Companies products should be used safely with good judgment towards others and surroundings.

By installing Sherpa Equipment Companies products on your vehicle you assume all liability. Sherpa Equipment Company will not be held liable for damages or loss associated with the installation or use of its products. It is recommended that you inspect your roof rack within the first 100 miles of installation and every 500 miles after.