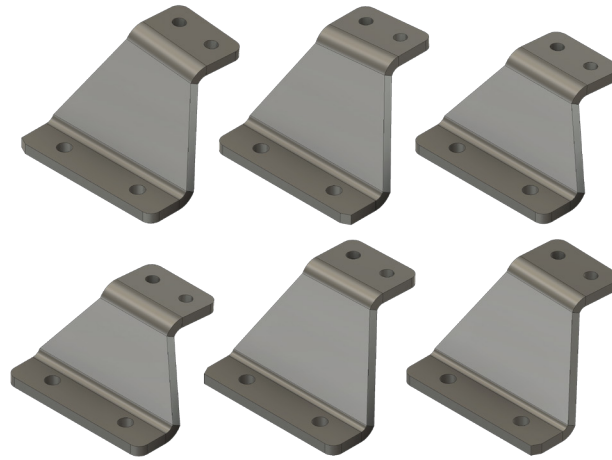


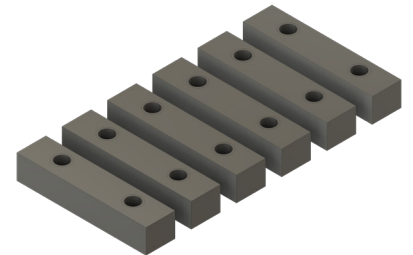


# QUANDARY

I N S T A L L   I N S T R U C T I O N S



**6**  
MOUNTING  
BRACKETS

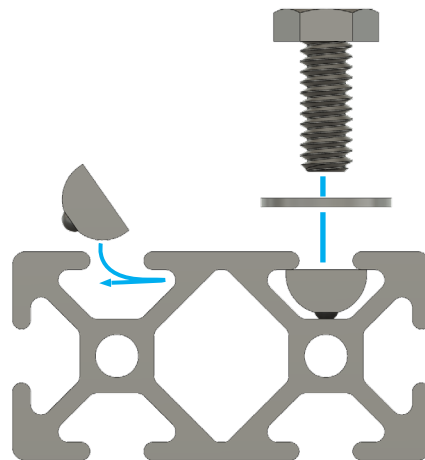


**6**  
RUBBER  
SPACERS

## BEFORE YOU BEGIN

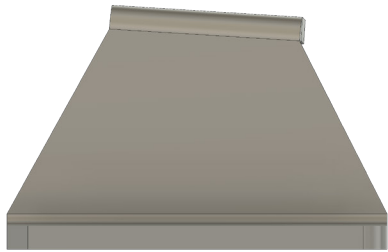
Remove your stock roof rack  
(if applicable).

## USING TNUTS



# BRACKET IDENTIFICATION

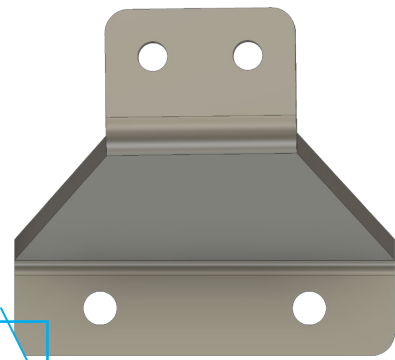
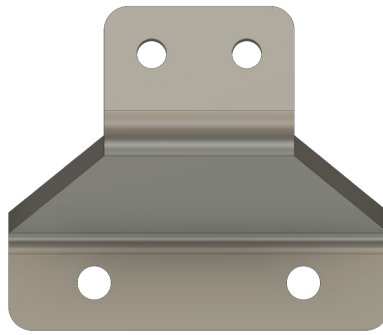
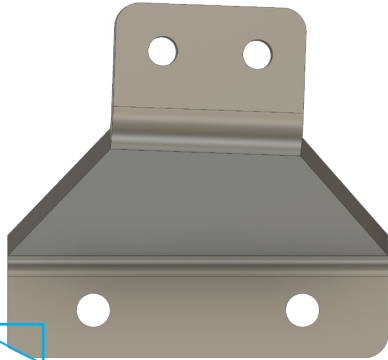
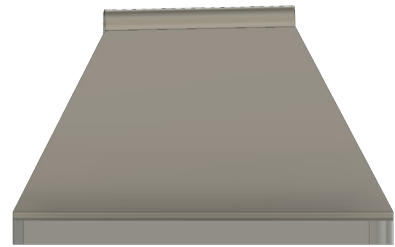
**FRONT**



**CENTER**

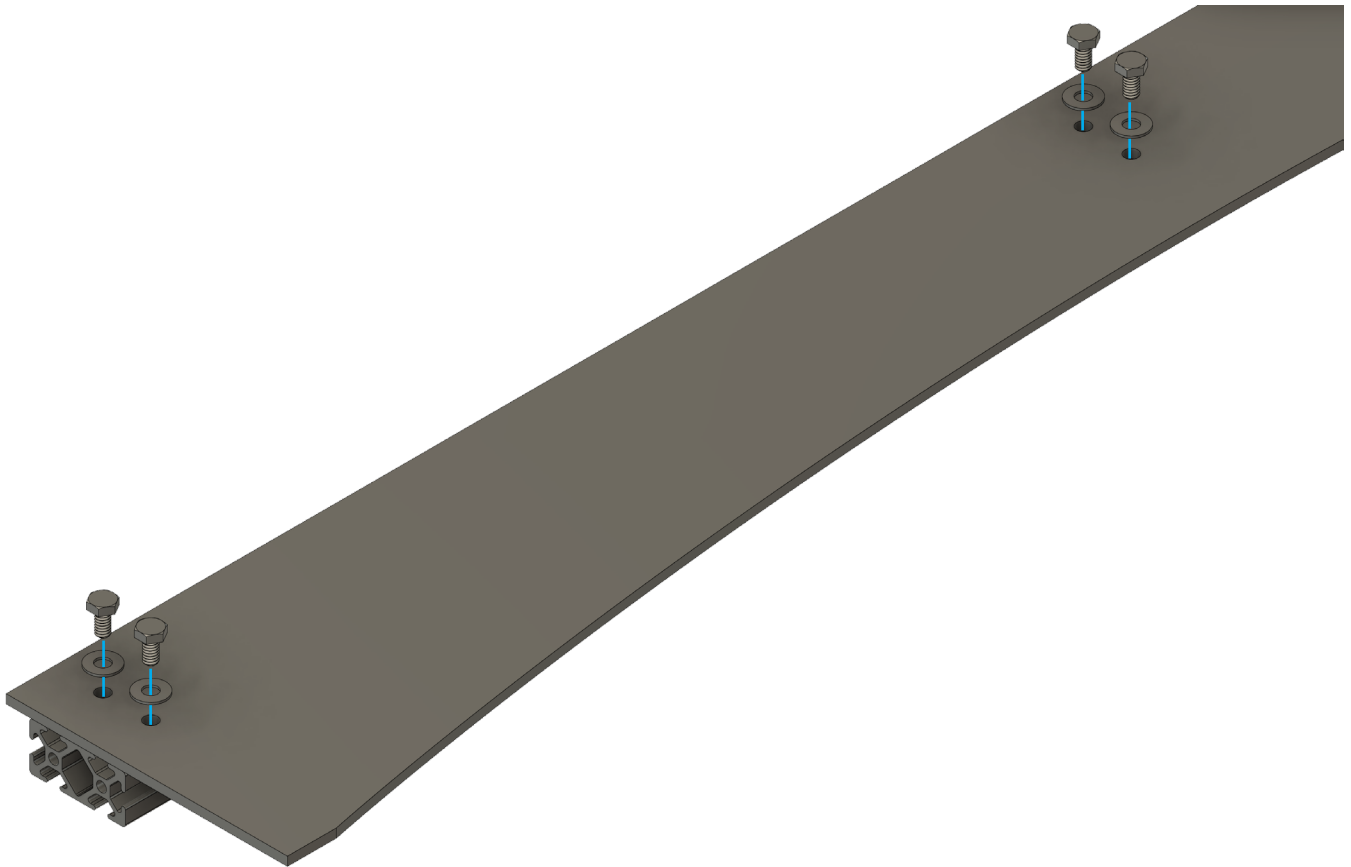


**REAR**



## PRE-ASSEMBLY

Before assembling your rack system, it is important to identify which mounting brackets go where. When looking at the brackets from the top you will notice that they have a notch in the corner. This notch indicates where the bracket should be mounted. The top of each bracket should sit level with the ground once installed.



## PRE-ASSEMBLY

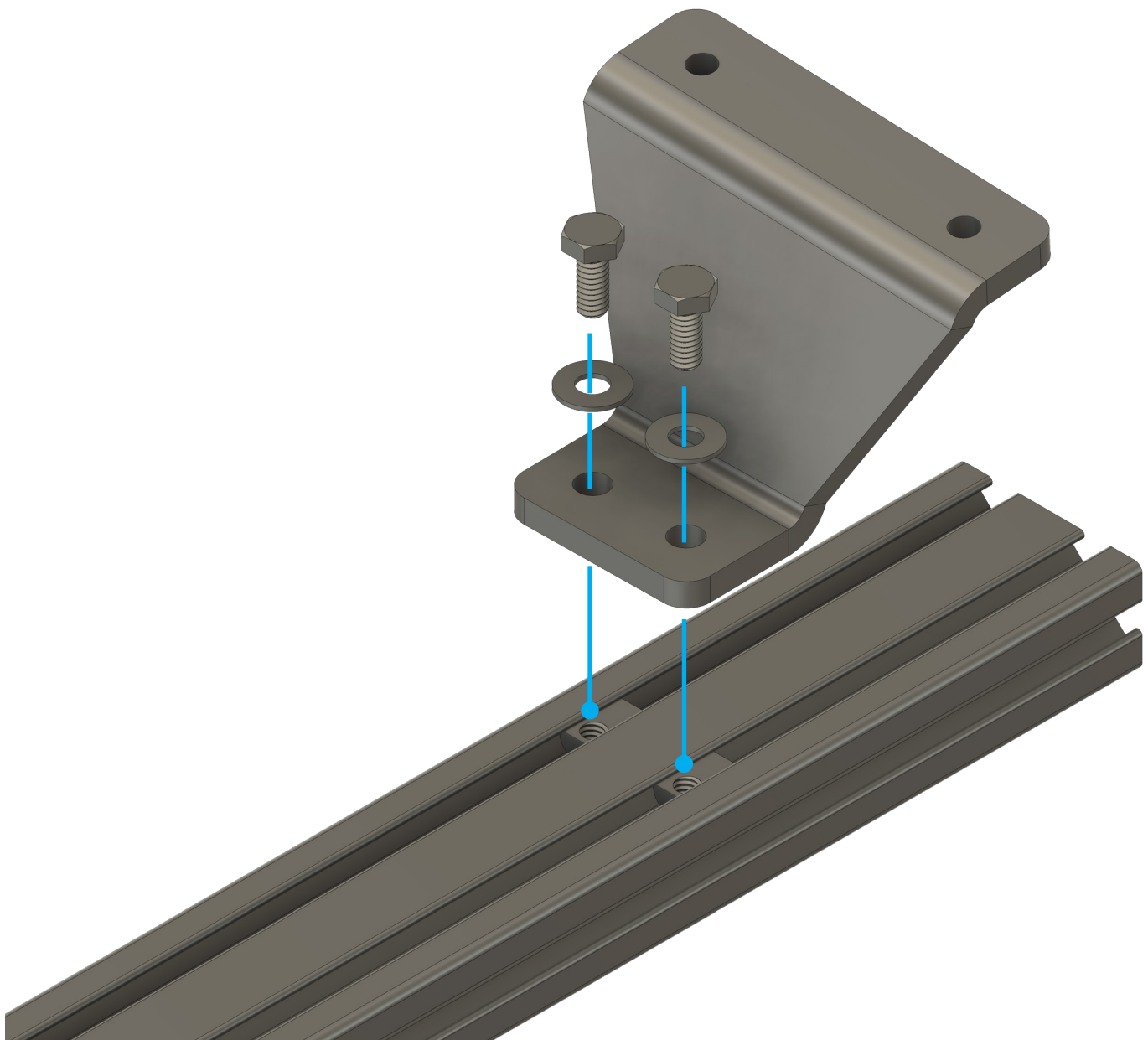
Required Components:

**6x** 1/4"-20 x 1/2"

**6x** 1/4" Flat Washers

**6x** Tnuts

Drop 6 tnuts into the slots on the cross member and line them up with the holes in the fairing. Secure with 6 bolts and washers.



## PRE-ASSEMBLY

Required Components:

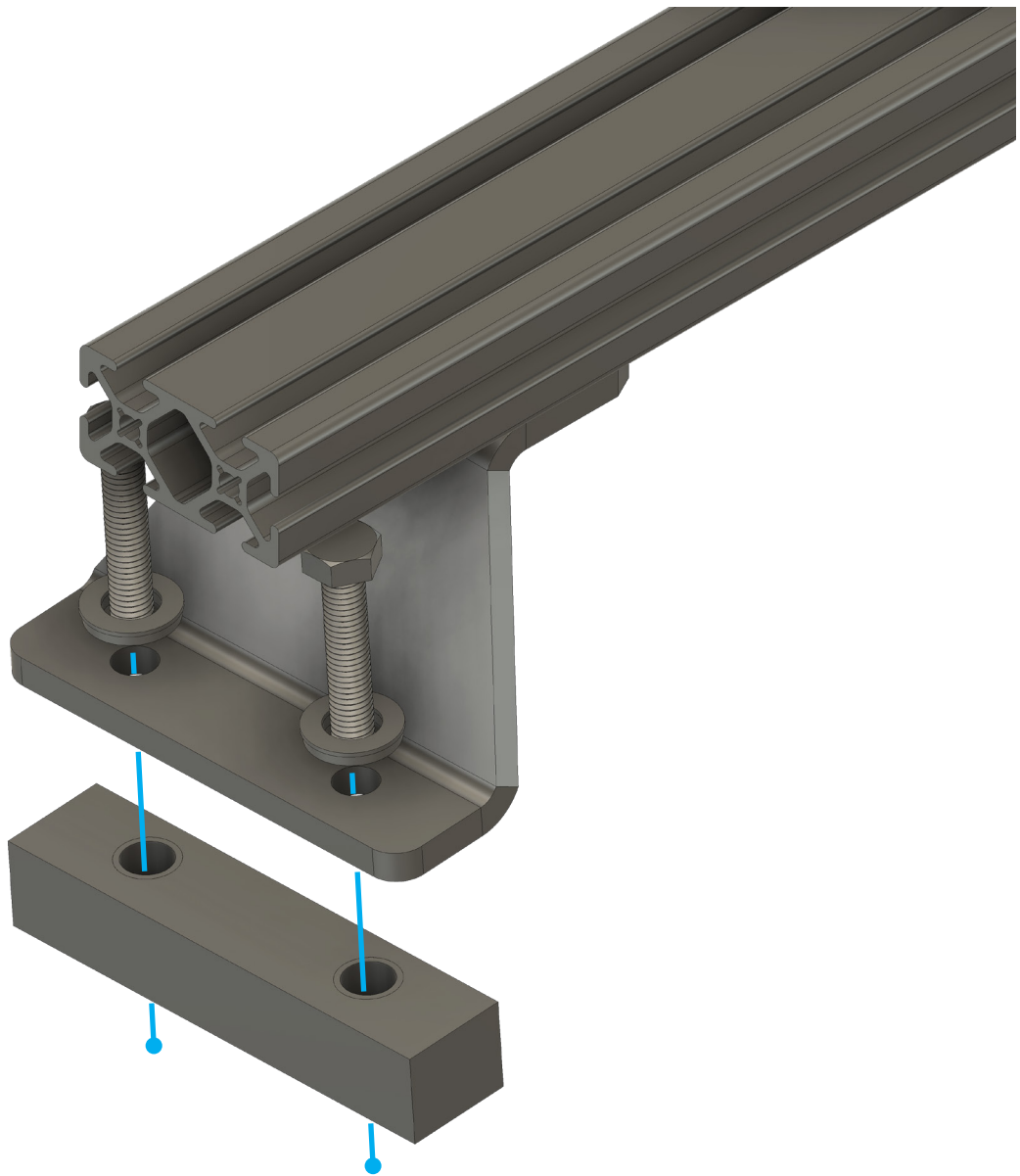
**12x** 1/4"-20 x 5/8"

**12x** 1/4" Flat Washers

**12x** 1/4" Nuts

Secure top of the mounting brackets to the three main cross members.

Leave the hardware in the center of the leveling mount loose so that it can be adjusted during a later step.



## 01

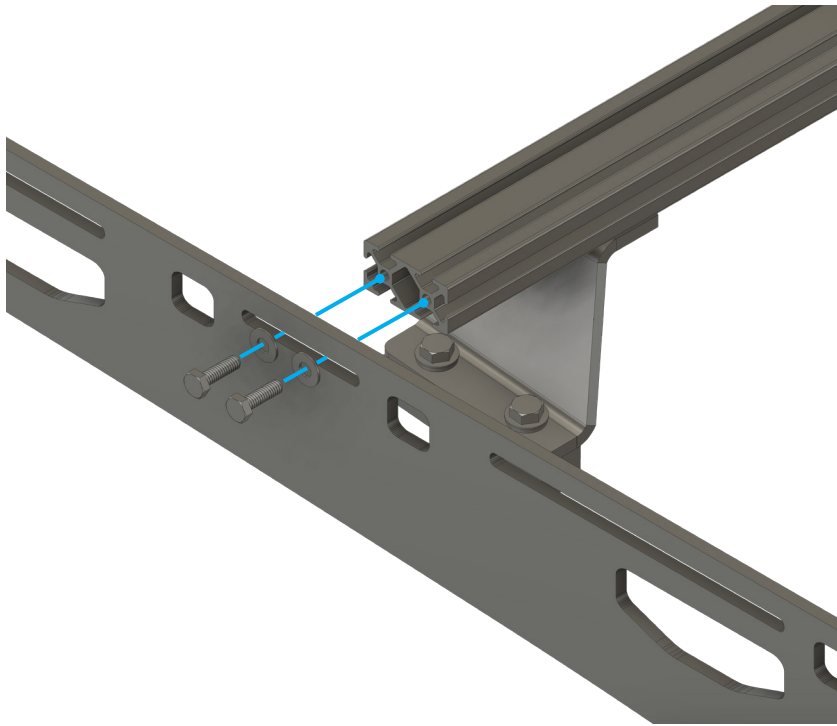
Required Components:

**12x** M8 Bolts

**12x** M8 Bonded Washers

With the three main support cross members assembled, flip them over and align the mounting brackets with the OEM roof holes. Secure them to the vehicle using 8 M8 bolts and washers, passed through the mounting bracket and into the threaded roof holes.

Center the cross members on the vehicle using a tape measure and tighten them to the mounting bracket.



## 02

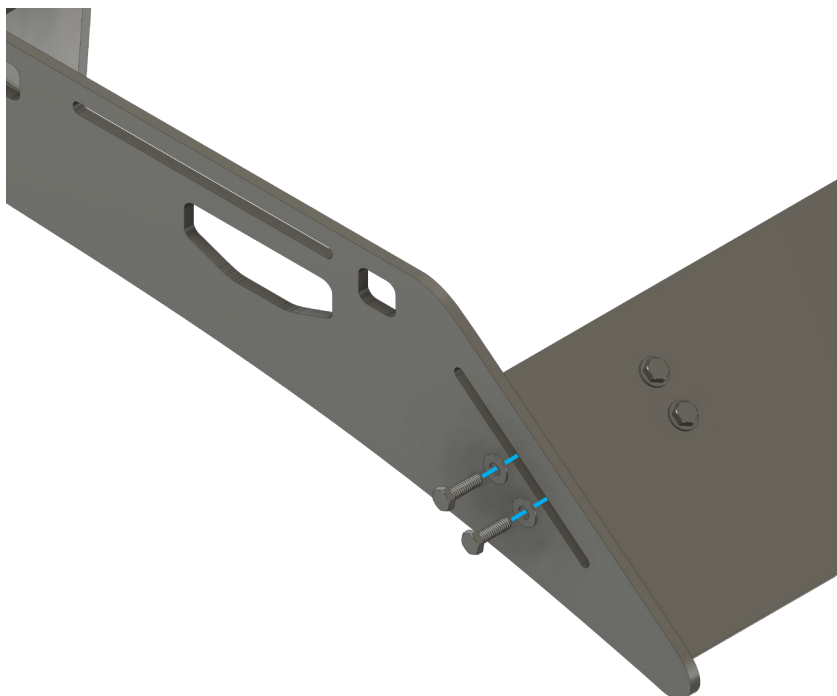
Required Components:

**12x** 1/4"-20 x 7/8"

**12x** 1/4" Flat Washers

After the main support cross members have been secured to the vehicle, you can install the side plates. Align the small slots in the rack side with the ends of the main support crossmembers. Secure it using 12 bolts and washers. Leave the bolts loose enough to move the sideplate to the position that matches the curve of the vehicle.

Once the rack is positioned correctly, tighten down all of the hardware for the rack sides, mounting hardware and roof track bolts.



## 03

Required Components:

**4x** 1/4"-20 x 7/8"

**4x** 1/4" Flat Washers

Position the wind fairing in line with the diagonal slot at the front of the rack. Align the bottom of the fairing with the tip of the roof rack and secure it using 4 bolts and washers.



## 04

Required Components:

**28x** 1/4"-20 x 7/8"

**28x** 1/4" Flat Washers

Secure all of the remaining cross members to the rack system. Position according to your load requirements.



# EXPLORE.

All products built and designed by Sherpa Equipment Company are intended for off-road use and should be assembled, installed, and used according to Sherpa Equipment Company's recommendations. Sherpa Equipment Companies products should be used safely with good judgment towards others and surroundings.

By installing Sherpa Equipment Companies products on your vehicle you assume all liability. Sherpa Equipment Company will not be held liable for damages or loss associated with the installation or use of its products. It is recommended that you inspect your roof rack within the first 100 miles of installation and every 500 miles after.