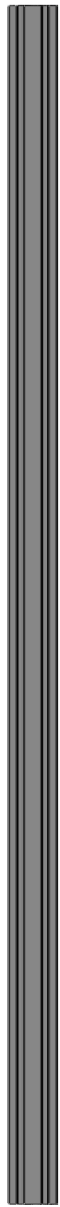




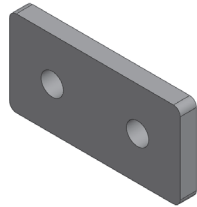
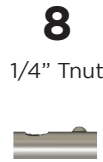
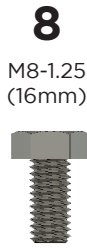
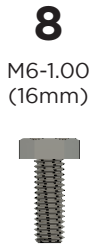
LOAD BAR SYSTEM

I N S T A L L I N S T R U C T I O N S

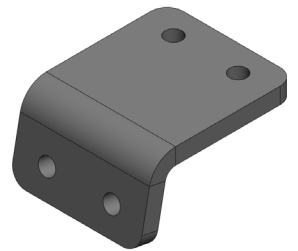
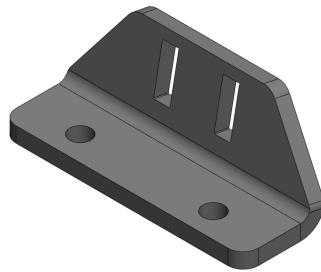
HARDWARE



2
CROSSBARS



4
END CAPS

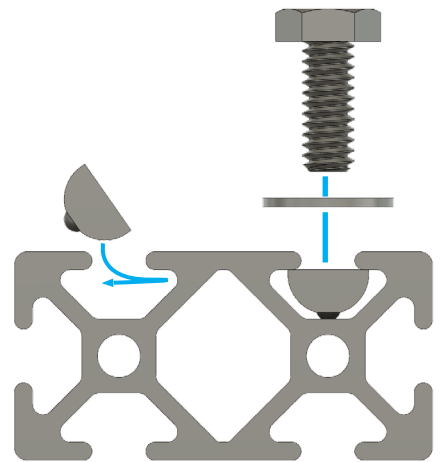


4
MOUNT SETS

BEFORE YOU BEGIN

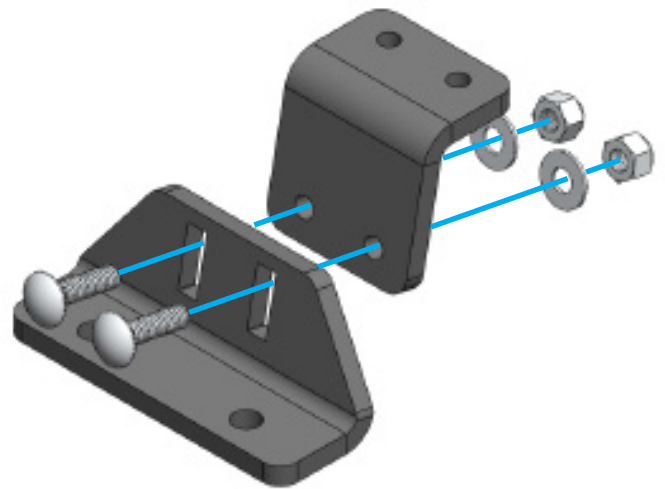
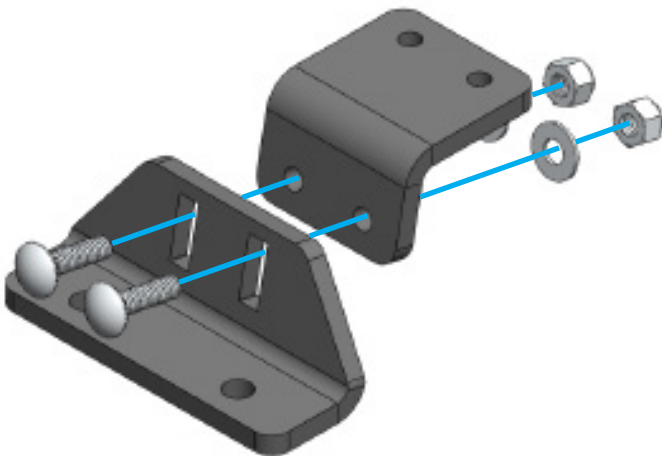
Before installing this rack system, make sure you have **8 capture nuts** available in your roof tracks. These capture nuts can be sourced through the track provider.

USING TNUTS



SHORT

TALL



PRE-ASSEMBLY

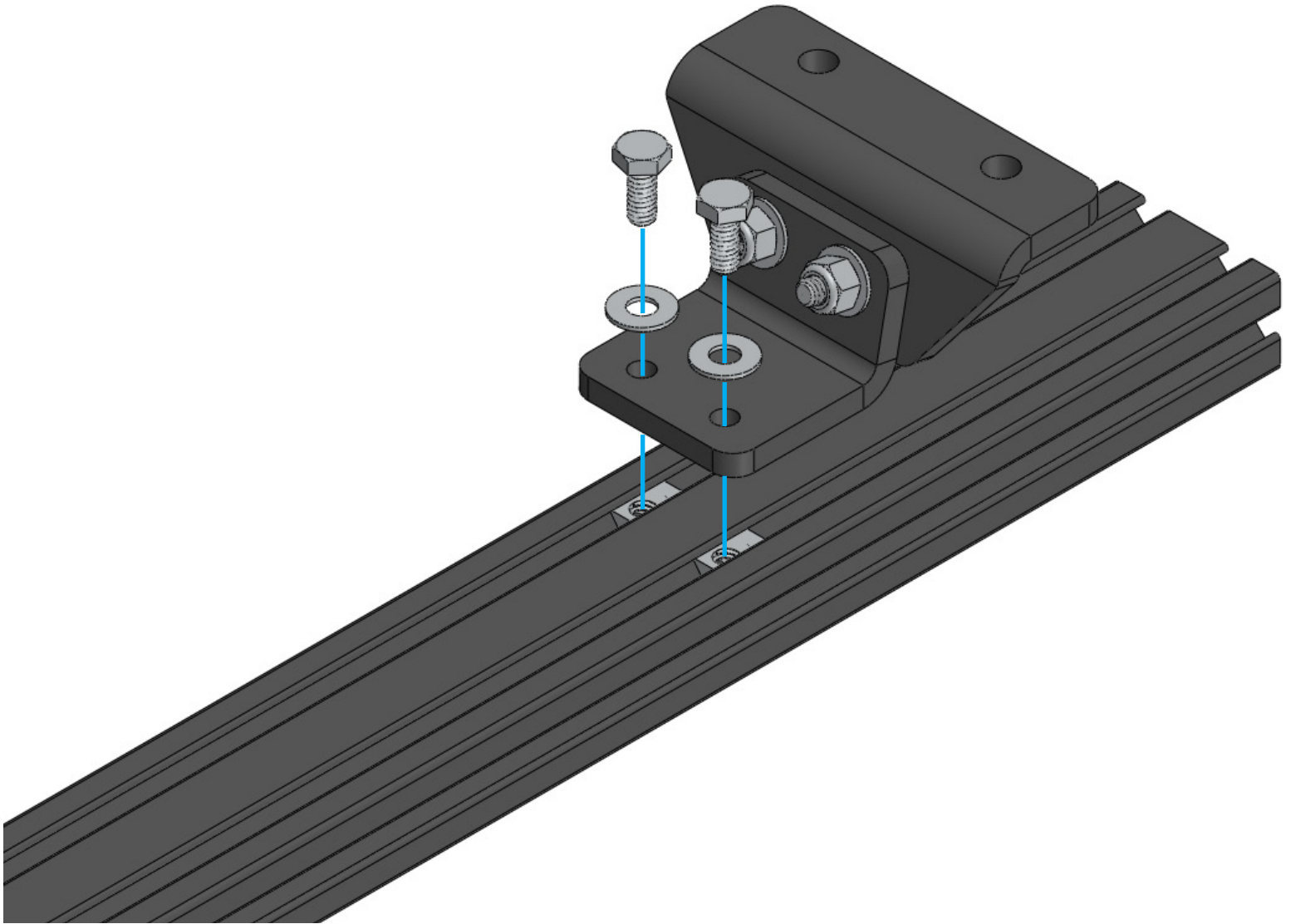
Required Components:

8x 1/4"-20 x 1" Carriage Bolt

8x 1/4" Flat Washers

8x Nylock Nuts

Assemble the mounting brackets in one of two configurations; if your load bar system requires more height, assemble them in the "tall" configuration. Otherwise, assemble them in the "short" configuration.



01

Required Components:

8x 1/4"-20 x 5/8"

8x 1/4" Flat Washers

8x Tnuts

Drop the two tnuts into the bottom slots of the crossbar. Fasten the mounting brackets to the crossbar with the supplied 1/4"-20 hex bolts and washers, with one on each end. Leave this hardware loose so that it can be adjusted once the cross members are placed on the vehicle. Repeat for the second set of mounting brackets.

02

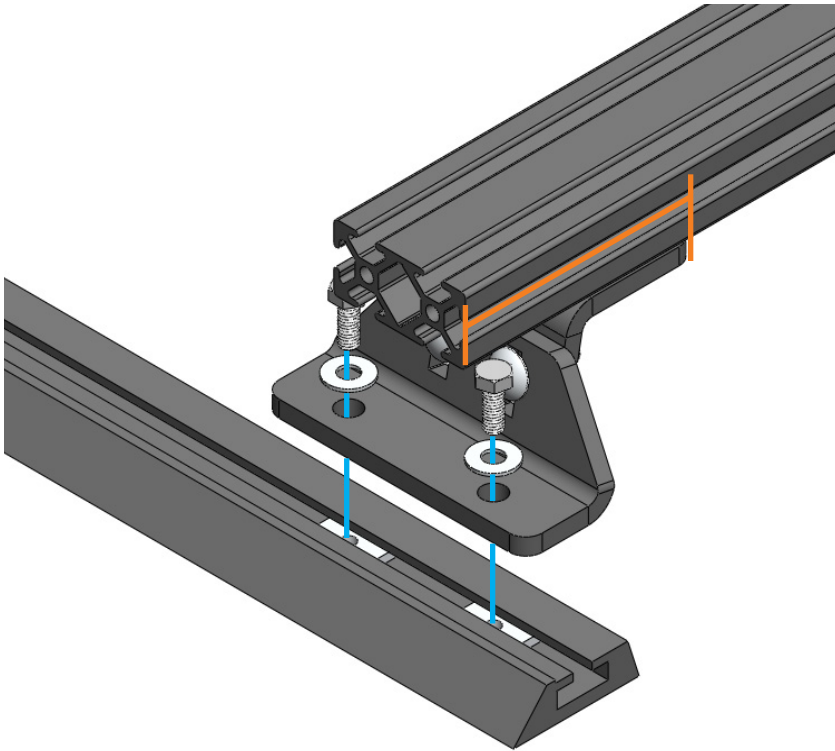
Required Components:

8x M6 Bolts

8x 1/4" Flat Washers

With the two main support cross members assembled, flip them over and align the mounting brackets with the OEM roof tracks. Secure them to the vehicle using 8x M6 bolts and washers, passed through the mounting bracket and into the capture nuts in the roof track.

Center the cross members on the vehicle by measuring the distance between the **ends of the crossbars and the ends of the top flanges of the mounting brackets**. Tighten.



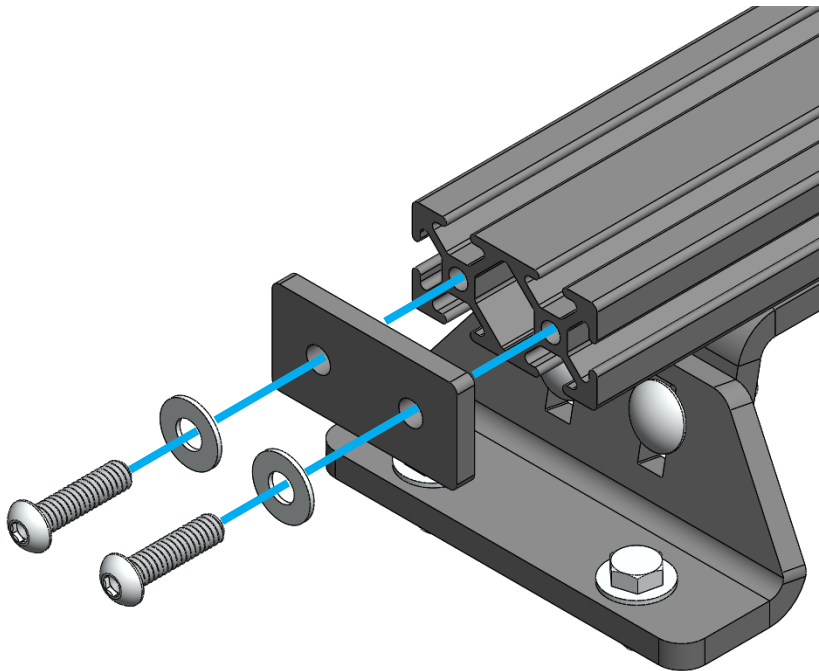
03

Required Components:

8x 1/4"-20 x 1"

8x 1/4" Flat Washers

Install the supplied end caps.





04

Make adjustments to the height and angle of the bars as needed. Check all bolts and hardware after the first 100 miles to ensure they are tight.

EXPLORE.

All products built and designed by Sherpa Equipment Company are intended for off-road use and should be assembled, installed, and used according to Sherpa Equipment Company's recommendations. Sherpa Equipment Companies products should be used safely with good judgment towards others and surroundings.

By installing Sherpa Equipment Companies products on your vehicle you assume all liability. Sherpa Equipment Company will not be held liable for damages or loss associated with the installation or use of its products. It is recommended that you inspect your roof rack within the first 100 miles of installation and every 500 miles after.