

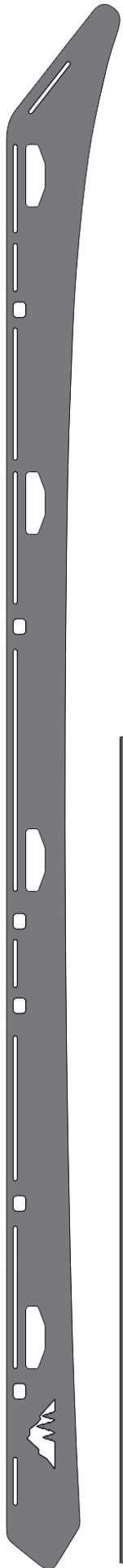


THE HARVARD

I N S T A L L I N S T R U C T I O N S

HARDWARE CHECKLIST

Exact hardware color counts may vary based on the options selected at checkout.



12
M6-1.00
(25mm)



36
1/4"-20
(1")



12
1/4"-20
(9/16")



6
1/4"-20
(1/2")



18
1/4" Tnut



12
M6 Bonded
Washer



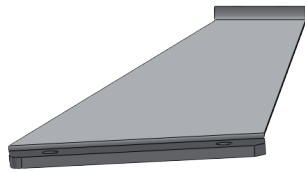
54
1/4" Flat
Washer



2
Round
Rubber
Roof Plugs



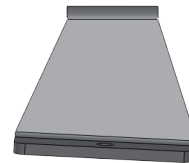
2
Oval
Rubber
Roof Plugs



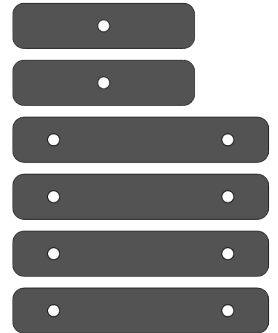
2
REAR
MOUNTING
BRACKETS



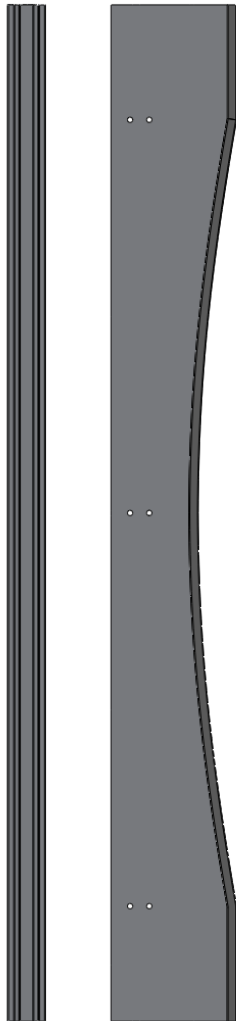
2
MIDDLE
MOUNTING
BRACKETS



2
FRONT
MOUNTING
BRACKETS



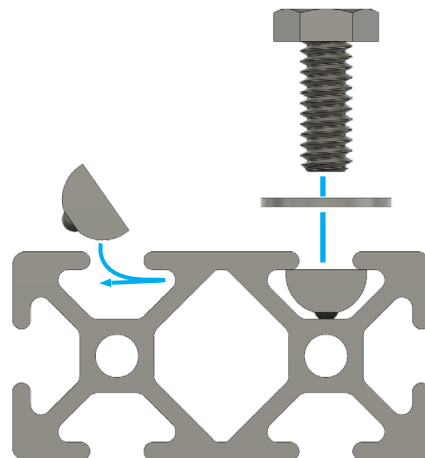
6
RUBBER
SEALS

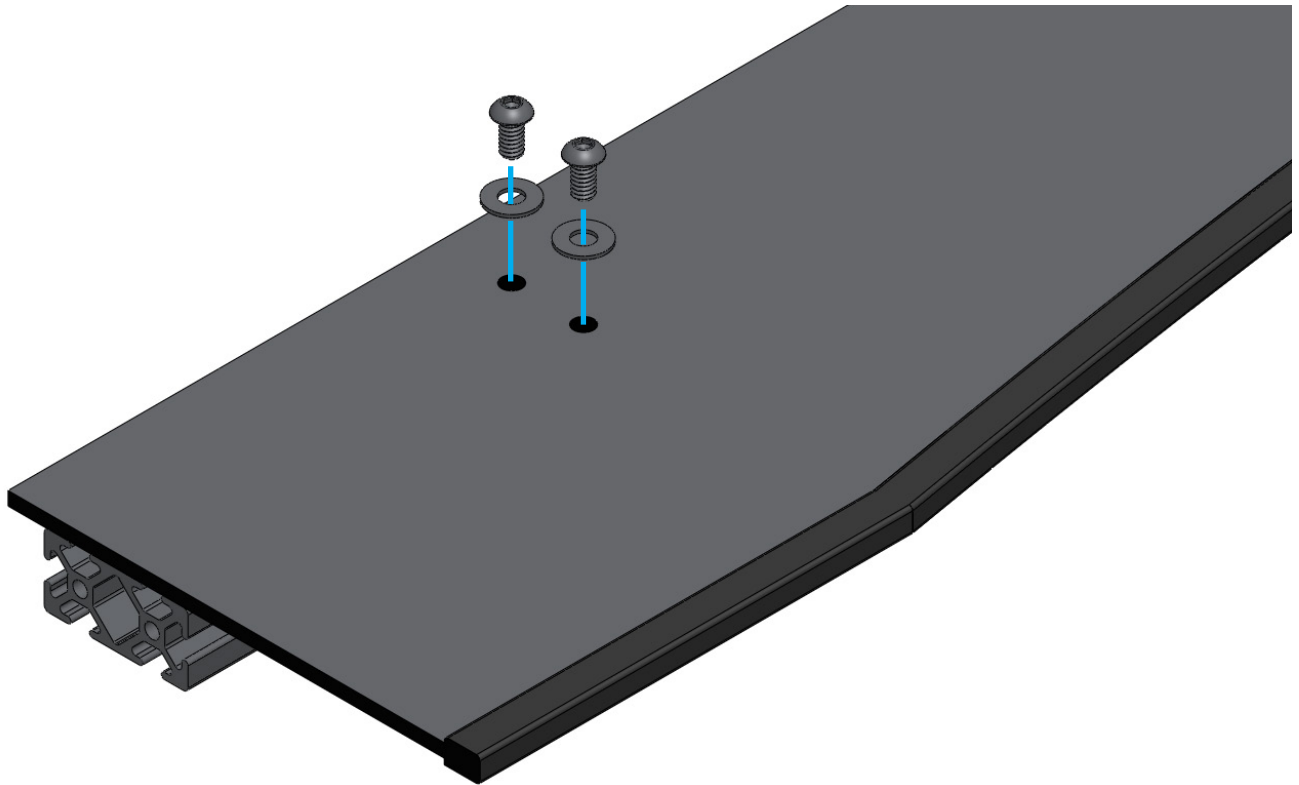


BEFORE YOU BEGIN

Remove your stock roof rack (if applicable). Loosen all stock rack bolts before fully removing any of them. A guide to removing the stock roof rack is available on our YouTube page.

USING TNUTS





PRE-ASSEMBLY

Required Components:

6x 1/4"-20 x 1/2"

6x 1/4" Flat Washers

6x Nuts

Drop 6 nuts into the slots on the cross member and line them up with the holes in the fairing. Secure with 6 bolts and washers.

ROOF DIAGRAM

Required Components:

- 2x** M6 Bolts
- 2x** M6 Bonded Washers
- 4x** Roof Plugs

The roof of the Sequoia has several roof holes that will not be used during the install. 4 of these holes are sealed with rubber plugs and 2 are sealed with a bolt and bonded washer.

The 2 forward plugs are round and the 2 rear are an oval shape. It is important to put the plugs in the correct location.

Use blue thread locker on the threads of the bolt with the bonded washer. Tighten the bolt until the bonded washer is flat.

The blue dots mark holes that will be used during the mounting process.

 **MOUNTING BOLT**

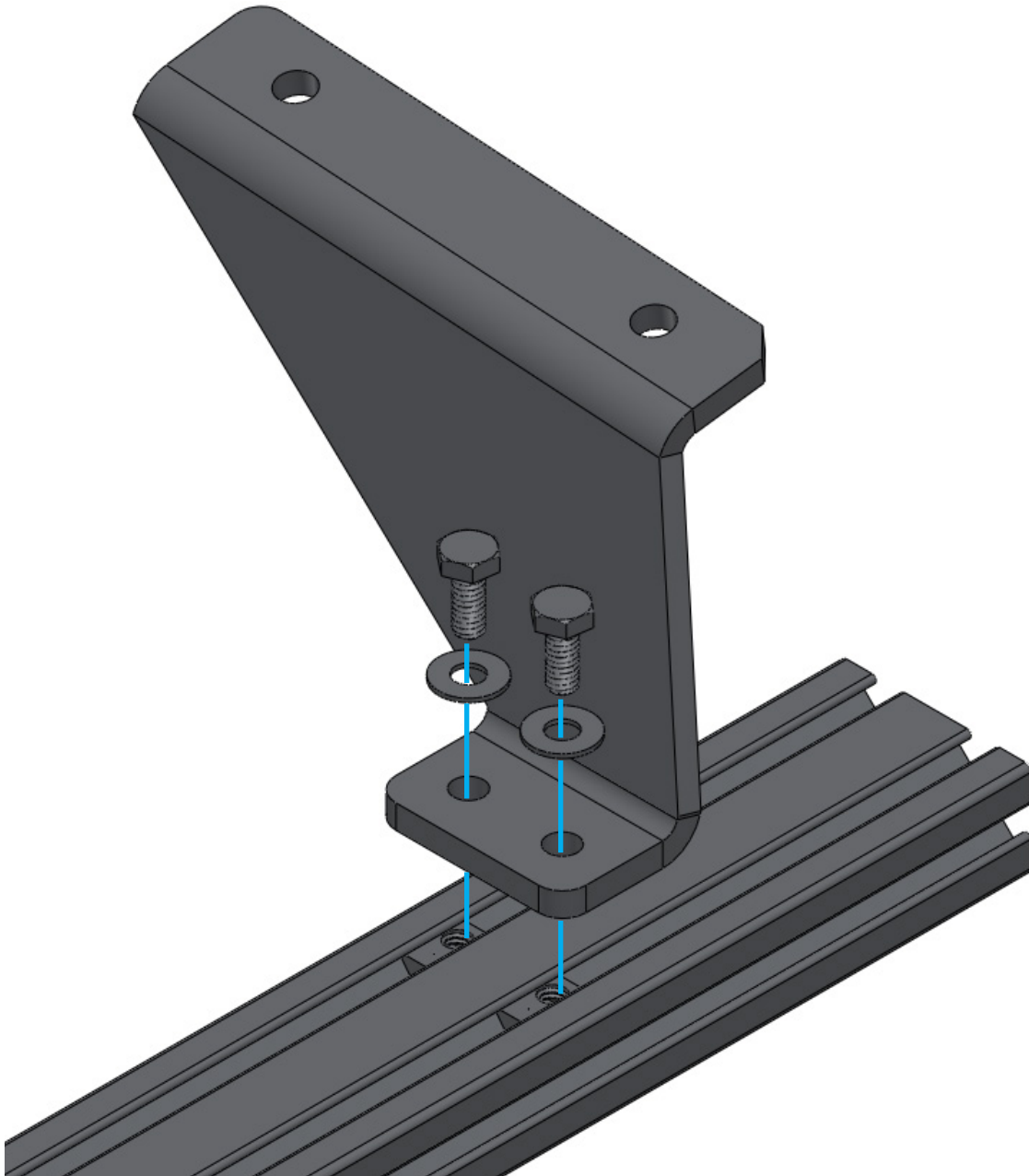
 **RUBBER PLUG**

 **BOLT & BONDED WASHER**

 **X2 ROUND ROOF PLUGS**

 **X2 OVAL ROOF PLUGS**





01

Required Components:

12x 1/4"-20 x 9/16"

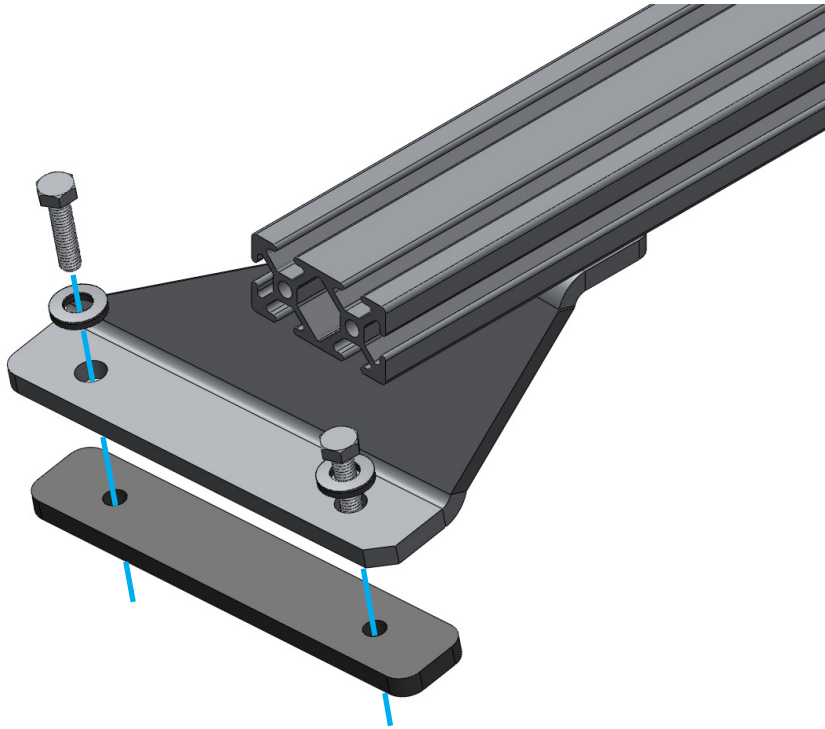
12x 1/4" Flat Washers

12x Tnuts

Next we are going to assemble all of the mounting crossmembers. Start by dropping the tnuts into the slotted profile of the extrusion, each bar should have 4 tnuts.

Next attach the mounting brackets to the crossmembers. There are 2 Front, Middle and Rear brackets. The mounts

have a notched bottom corner that should point towards the front of the vehicle. Fasten the front leveling mounts to the crossbar by threading 2 bolts and 2 washers through the leveling bracket and into the tnut. Make sure you leave these slightly loose so that you can move the mount when centering the bars.



02

Required Components:

10x M6 Bolts

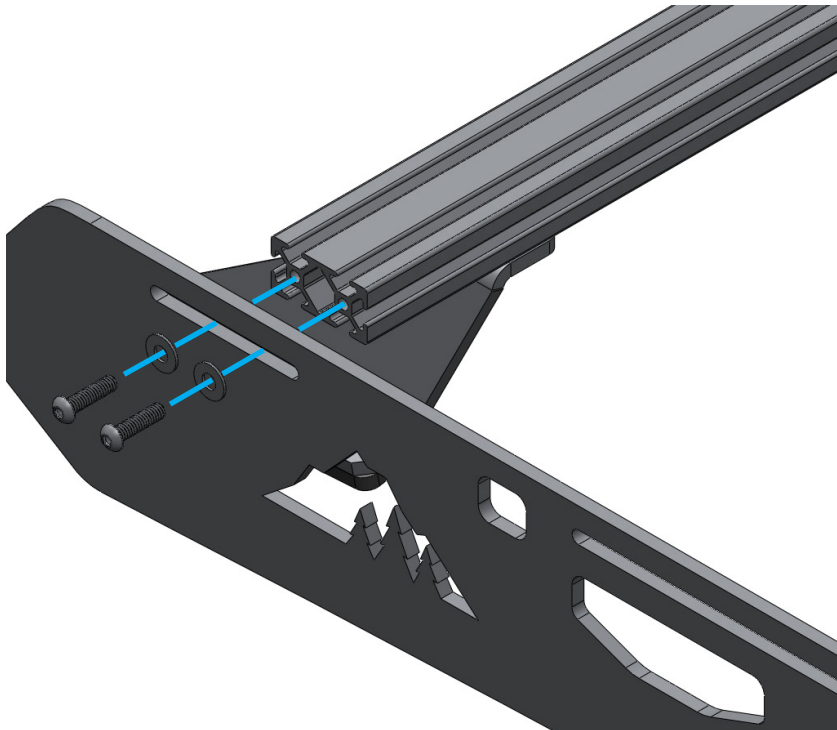
10x M6 Flat Washers

Next, install the front, middle and rear mounting brackets. Remember the notch on the bottom of the bracket faces the front of the vehicle. Align the rubber spacers with the factory holes in your roof gutter and the mounting bracket.

Position the mounting bracket over the rubber spacer and secure them with bolts and bonded washers passed through the bracket, rubber, and into the holes in the roof. We recommend using blue thread locker during this step.

The bonded washers should compress and become flat, but not concave. Do not over tighten these mounts.

TORQUE SPEC: 22in-lb



03

Required Components:

12x 1/4"-20 x 1"

12x 1/4" Flat Washers

After the main support cross members have been secured to the vehicle, you can center the crossbars to the vehicle. This is explained in detail in our install video. Once the bars are all centered tighten them down to the mount.

Align the small slots in the rack side with the main support cross members. Secure it using the bolts and washers. Leave the bolts loose enough to move the sideplate to the position that matches the curve of the vehicle.

Once the rack is positioned correctly, tighten down all of the hardware for the rack sides, mounting hardware and roof track bolts.

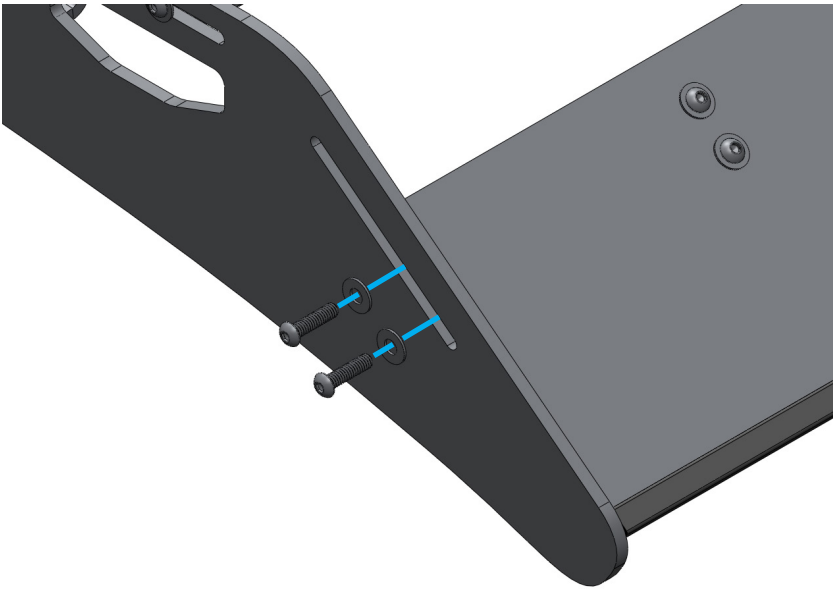
05

Required Components:

4x 1/4"-20 x 1"

4x 1/4" Flat Washers

Position the wind fairing in line with the diagonal slot at the front of the rack. Align the bottom of the fairing with the tip of the roof rack and secure it using 4 bolts and washers.





06

Required Components:

20x 1/4"-20 x 1"

20x 1/4" Flat Washers

Secure all of the remaining cross members to the rack system. Position according to your load requirements. When supporting heavy loads insure that it is evenly supported by the rack system and the crossbars are spaced accordingly.

EXPLORE.

All products built and designed by Sherpa Equipment Company are intended for off-road use and should be assembled, installed, and used according to Sherpa Equipment Company's recommendations. Sherpa Equipment Companies products should be used safely with good judgment towards others and surroundings.

By installing Sherpa Equipment Companies products on your vehicle you assume all liability. Sherpa Equipment Company will not be held liable for damages or loss associated with the installation or use of its products. It is recommended that you inspect your roof rack within the first 100 miles of installation and every 500 miles after.