



DIODE DYNAMICS SS5 BRACKETS

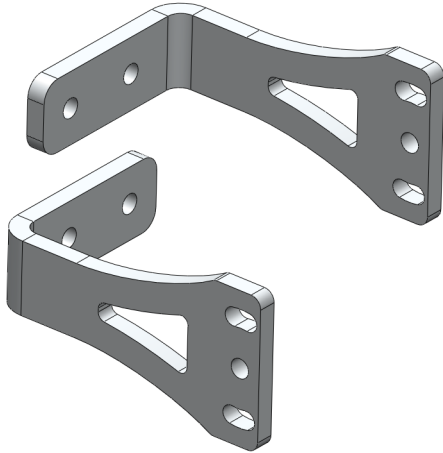
I N S T A L L I N S T R U C T I O N S

HARDWARE CHECKLIST

Exact hardware color counts may vary based on the options selected at checkout.

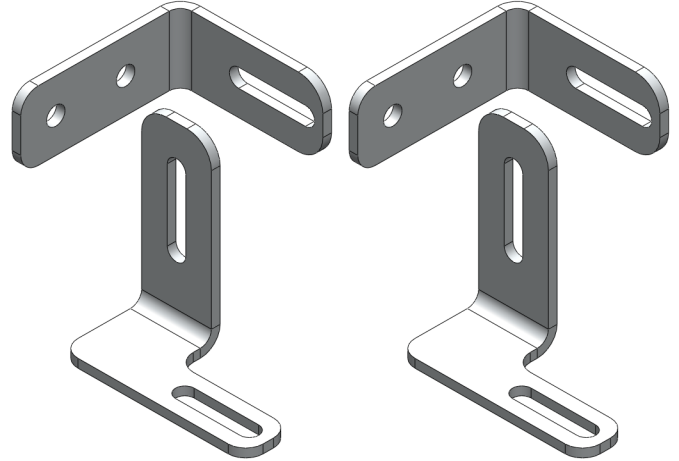
2

Brackets



2

Support Brackets



2

1/4"-20
(3/4")



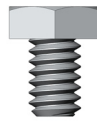
4

1/4"-20
(9/16")



4

1/4"-20
(3/8")



8

1/4"-20 Tnut



12

1/4" Washer

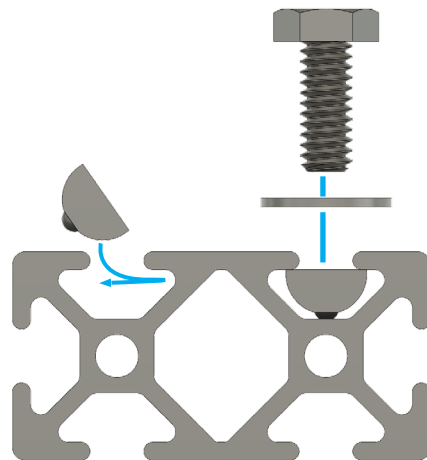


2

Nylock Nut



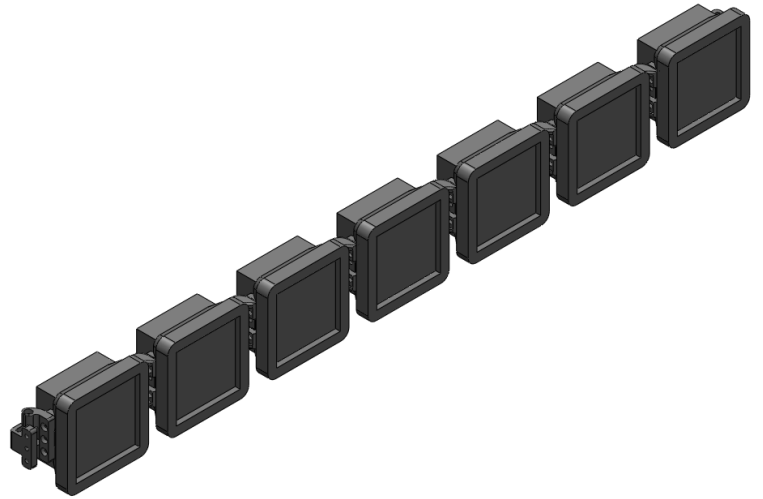
USING TNUTS



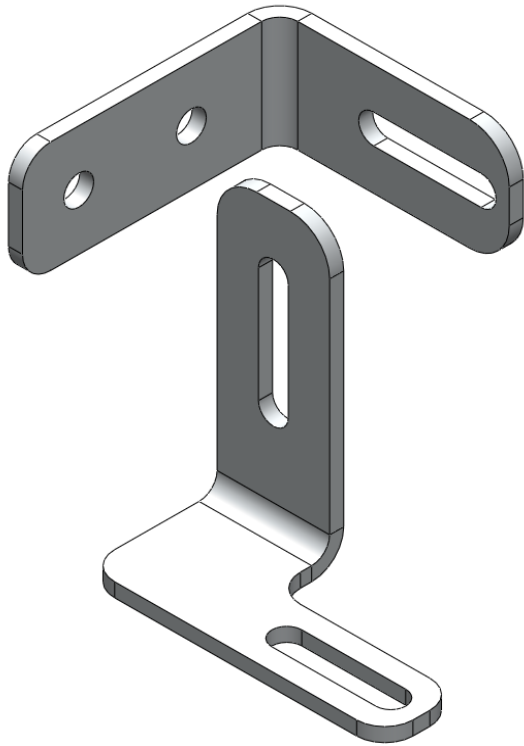
Install 01

Follow the manufacturer's instructions on configuring the SS5 Crosslink bar to your liking. The Sherpa brackets will work if the bar is straight or curved.

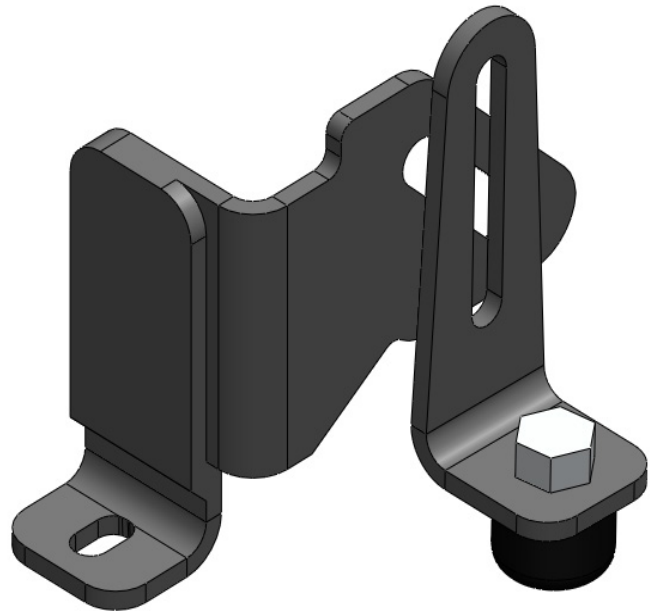
The additional Sherpa [support brackets](#) only support a limited amount of curvature. If a curved configuration is desired, utilize the [Diode Dynamics-supplied support kits](#) instead.

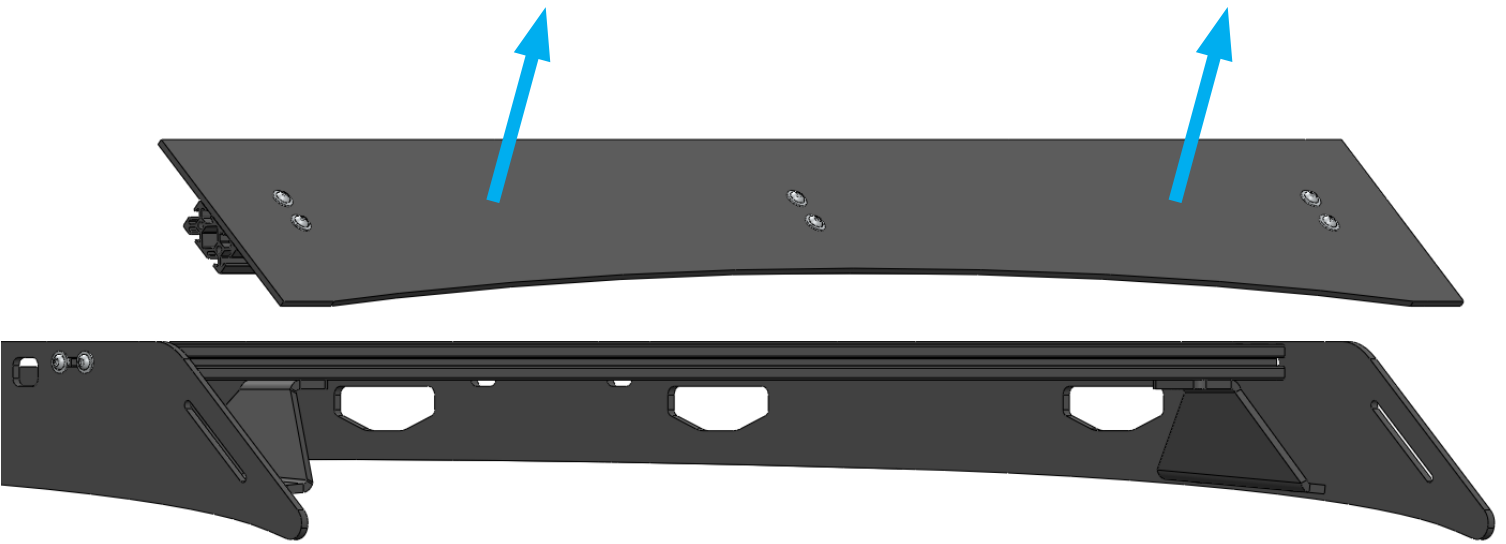


SHERPA SUPPORT BRACKETS



DIODE SUPPORT KIT





Install 02

Remove the wind fairing from the roof rack if one is already installed.

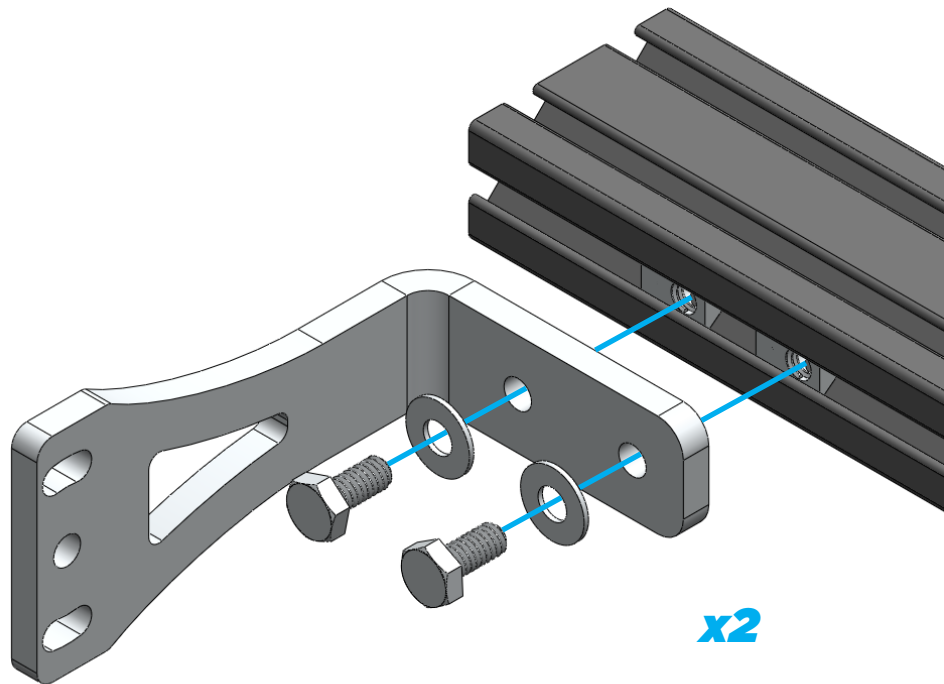
Install 03

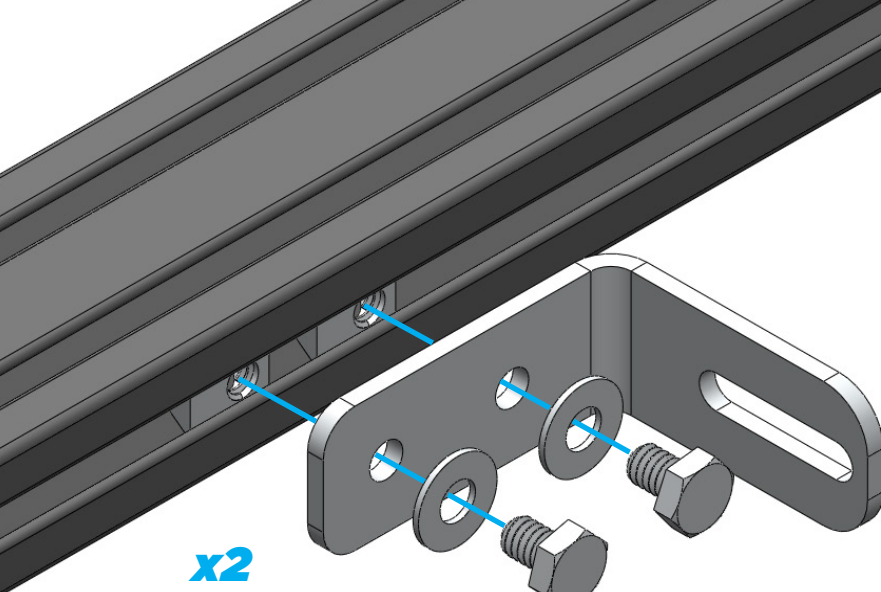
Required Components:

- 2x** Sherpa lightbar brackets
- 4x** 1/4" - 20 x 9/16" bolt
- 4x** 1/4" - 20 Nut
- 4x** 1/4" Flat washer

Install the Sherpa SS5 brackets in the forward-facing slot of the crossbar using the supplied hardware.

Leave all hardware loose so that the brackets can slide along the length of the crossbar.





x2

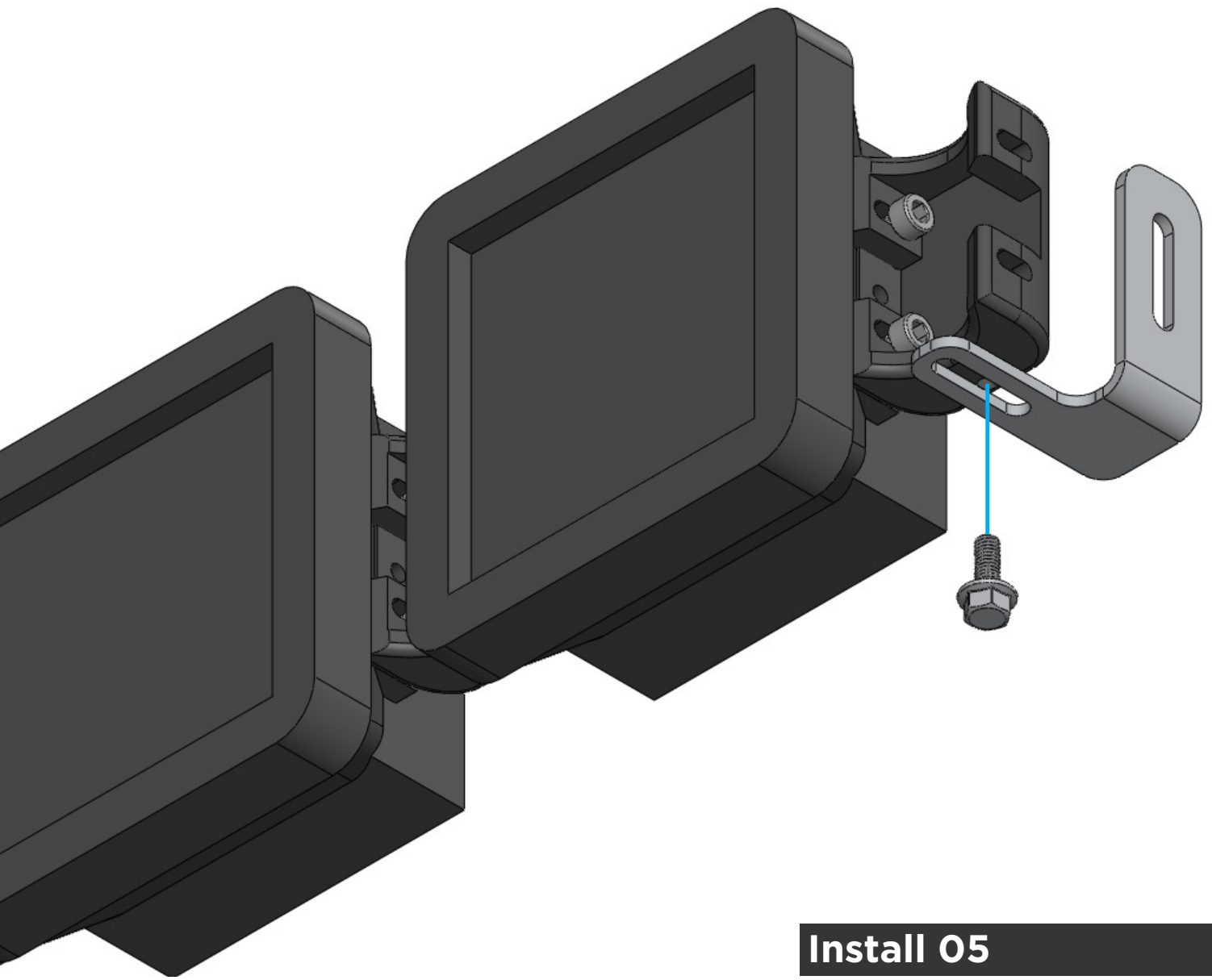
Install 04

- Required Components:
- 2x Sherpa support brackets
 - 4x 1/4" - 20 x 3/8" bolt
 - 4x 1/4" - 20 Nut
 - 4x 1/4" Flat washer

If the Sherpa support brackets are being utilized, attach the shorter L-brackets to the crossbar.

Leave all hardware loose so that the brackets can slide along the length of the crossbar.





Install 05

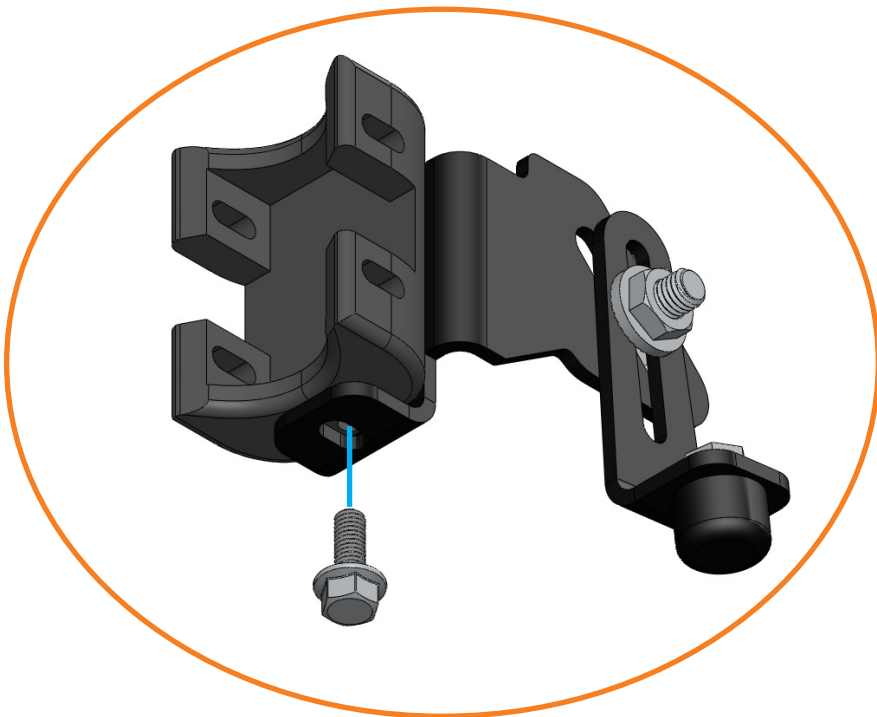
Required Components:

2x Sherpa support brackets

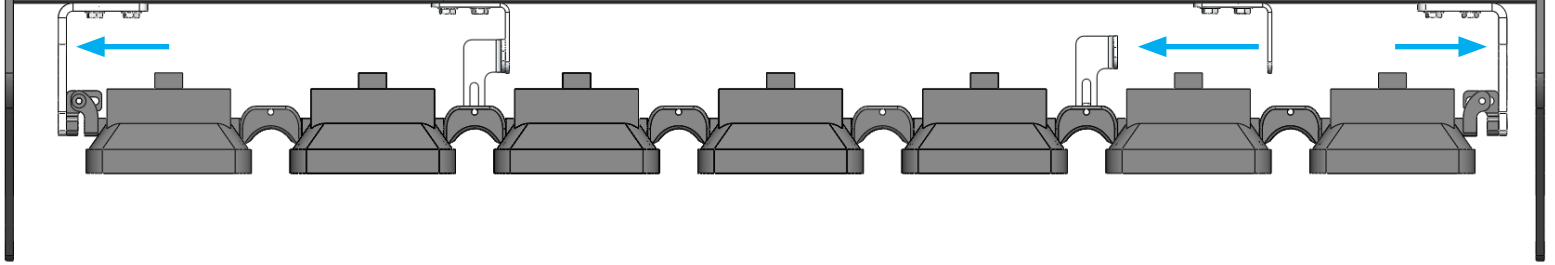
2x Diode 10mm bolt

Loosely fasten the Sherpa support bracket to one of the links using the 10mm flange bolt supplied with the Diode support bracket kit.

This same bolt is used if the **support brackets supplied by Diode** is utilized instead of the Sherpa brackets.



TOP VIEW



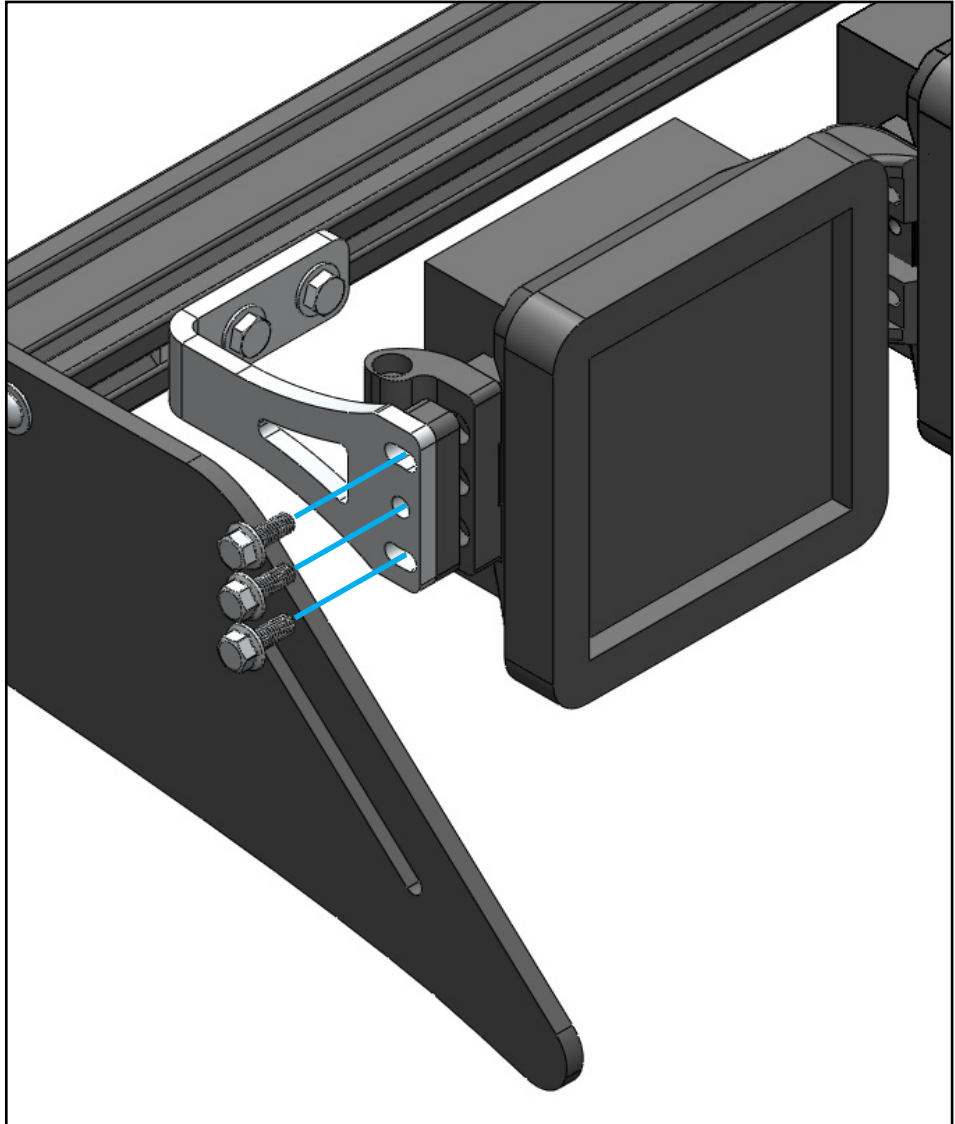
Install 06

Required Components:
6x Diode 10mm bolt

Bring the assembled SS5 light bar up to the roof rack and slide each of the brackets into place. This step is easier with two people, one on each side of the vehicle. Otherwise, the bar can be placed on top of the crossbar.

Once the bar is sitting between the two Sherpa outer-mounting brackets, fasten the bar to them using six of the 10mm flange bolts supplied by Diode. The Sherpa brackets include upper and lower slots so that the angle of the light bar can be adjusted.

Center the bar on the vehicle, then tighten the 9/16" hex bolts running through the outer Sherpa brackets to lock the light bar in place.



Install 07

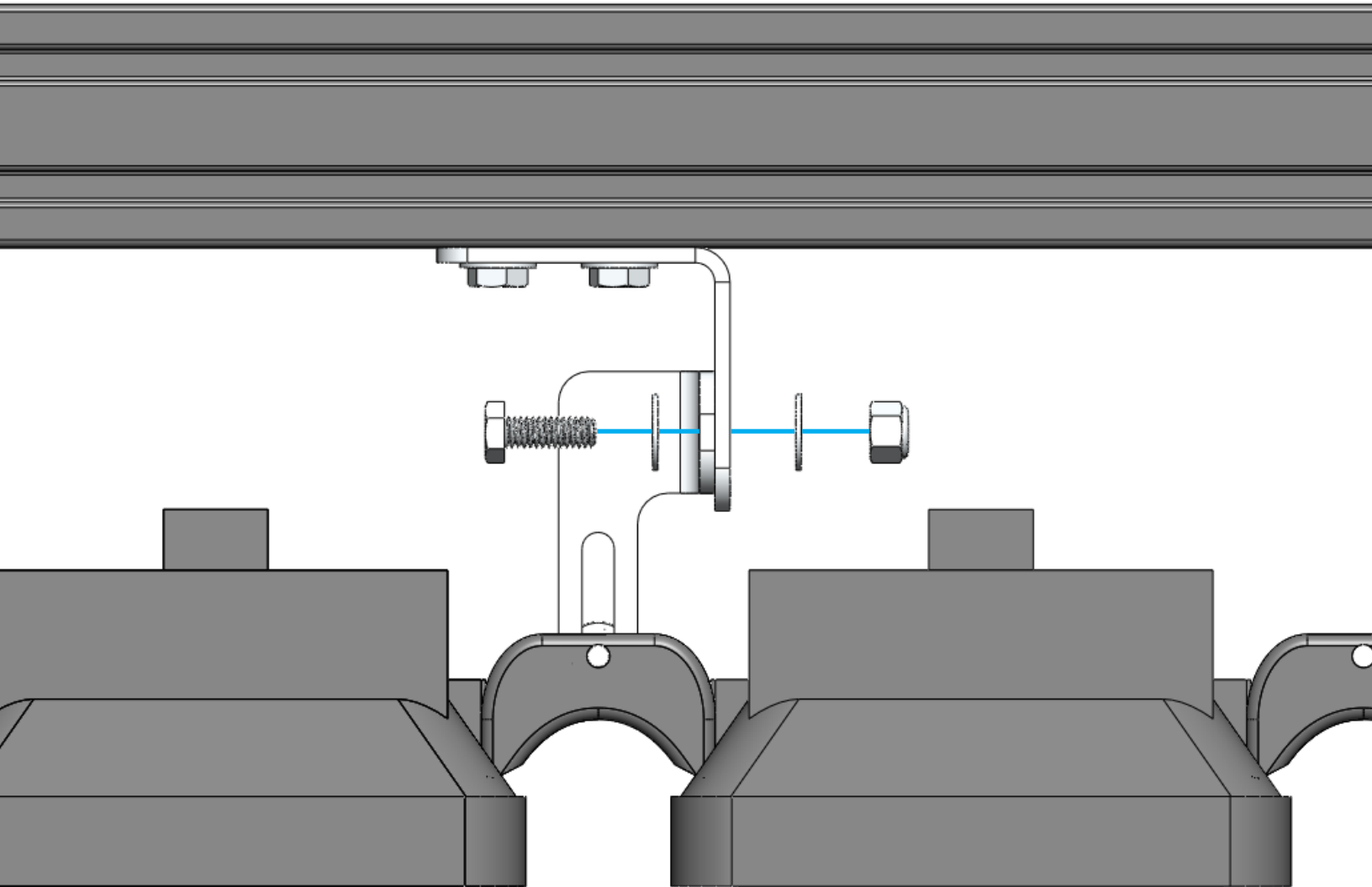
Required Components:

2x 1/4"- 20 x 3/4" bolt

2x 1/4"- 20 Nylock nut

4x 1/4" Flat washer

With the Sherpa support brackets lined up, complete the installation by fastening the supports with the supplied hardware. Do not forget to also tighten the 10mm flange bolt on the bottom side of the SS5 link.



EXPLORE.

All products built and designed by Sherpa Equipment Company are intended for off-road use and should be assembled, installed, and used according to Sherpa Equipment Company's recommendations. Sherpa Equipment Companies products should be used safely with good judgment towards others and surroundings.

By installing Sherpa Equipment Companies products on your vehicle you assume all liability. Sherpa Equipment Company will not be held liable for damages or loss associated with the installation or use of its products. It is recommended that you inspect your roof rack within the first 100 miles of installation and every 500 miles after.