












THE CROW'S NEST

I N S T A L L I N S T R U C T I O N S










HARDWARE CHECKLIST

Exact hardware counts may vary based on the options selected at checkout.

SHORT BED

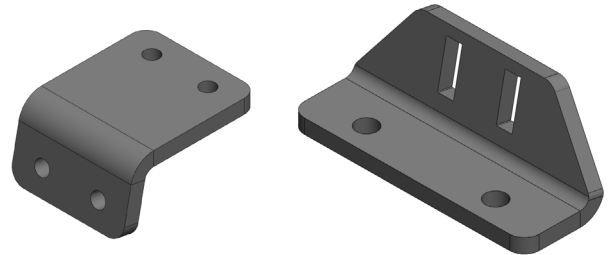
8	20	8	8	8	8	8	44	8
Carriage 1/4"-20 (1")	1/4"-20 (1")	1/4"-20 (5/8")	M6-1.00 (16mm)	M8-1.25 (16mm)	1/4" Tnut	M8 Flat Washer	1/4" Flat Washer	Nylock Nuts
								

LONG BED

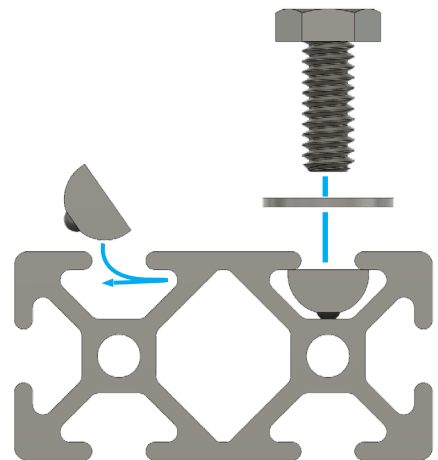
8	24	8	8	8	8	8	48	8
Carriage 1/4"-20 (1")	1/4"-20 (1")	1/4"-20 (5/8")	M6-1.00 (16mm)	M8-1.25 (16mm)	1/4" Tnut	M8 Flat Washer	1/4" Flat Washer	Nylock Nuts
								

4

MOUNT SETS*

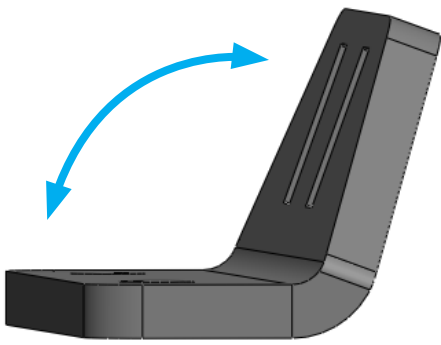


USING TNUTS

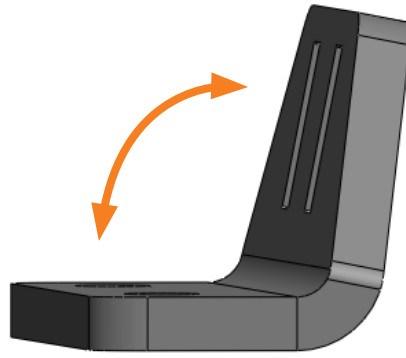


BEFORE YOU BEGIN

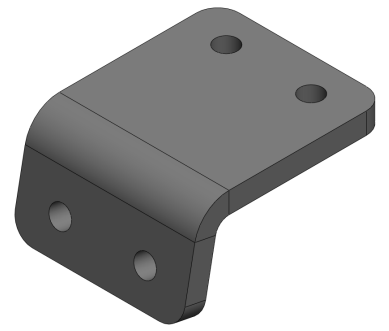
Before installing this rack system, make sure you have **8 capture nuts** available in your aftermarket roof track. These capture nuts can be sourced through the track provider.



BOTTOM BRACKET 1



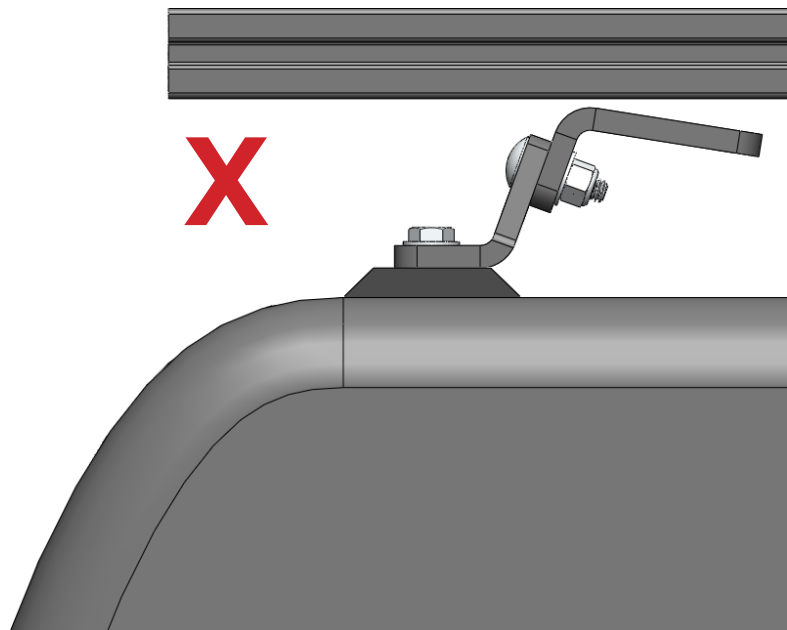
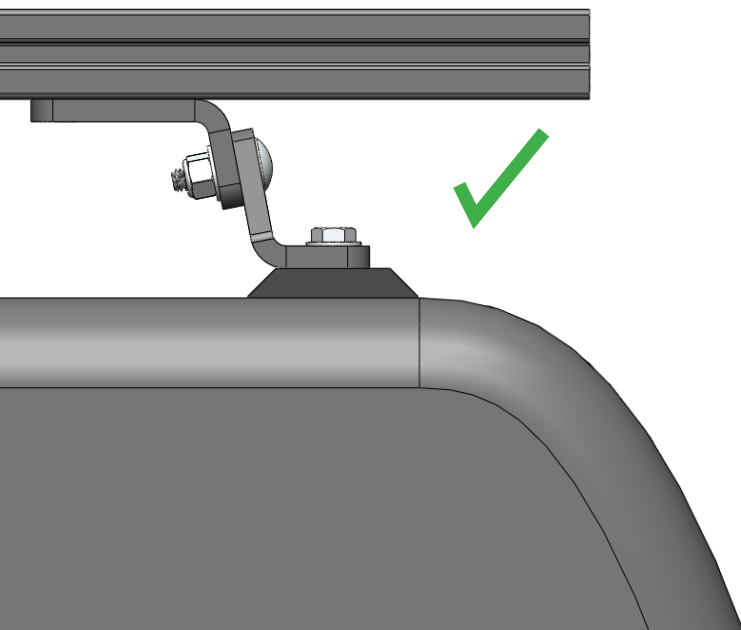
BOTTOM BRACKET 2



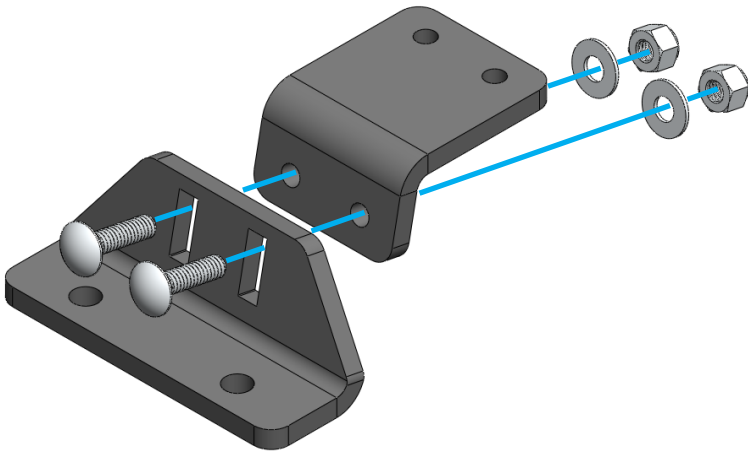
TOP BRACKET

NOTE*

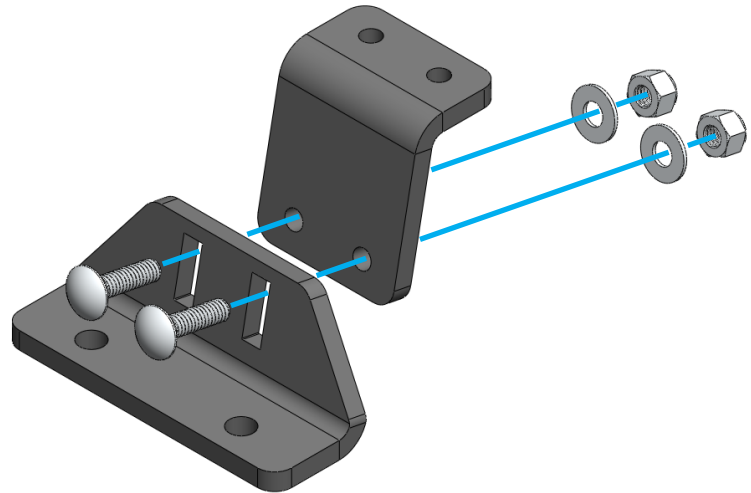
The Crow's Nest rack will arrive with two mounting foot options. Utilize the set of bottom brackets with the angle that best allows for the **top bracket** to sit level with the ground based on your specific truck topper.



SHORT



TALL



PRE-ASSEMBLY

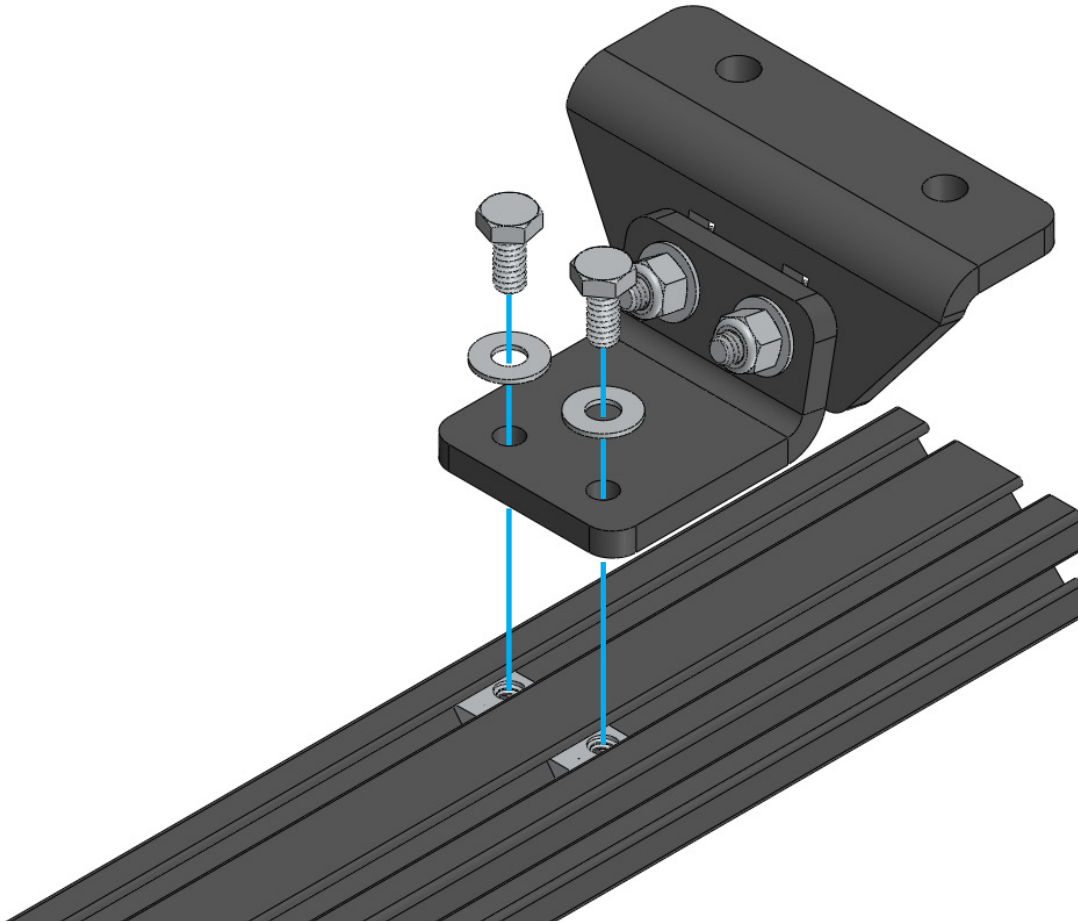
Required Components:

8x 1/4"-20 x 1"

16x 1/4" Flat Washers

8x Nylock Nuts

Determine which configuration of the top brackets that will be used. If your rack system requires more height, assemble them in the "tall" configuration. If you would like to keep it as low as possible, assemble them in the "short" configuration.



01

Required Components:

8x 1/4"-20 x 5/8"

8x 1/4" Flat Washers

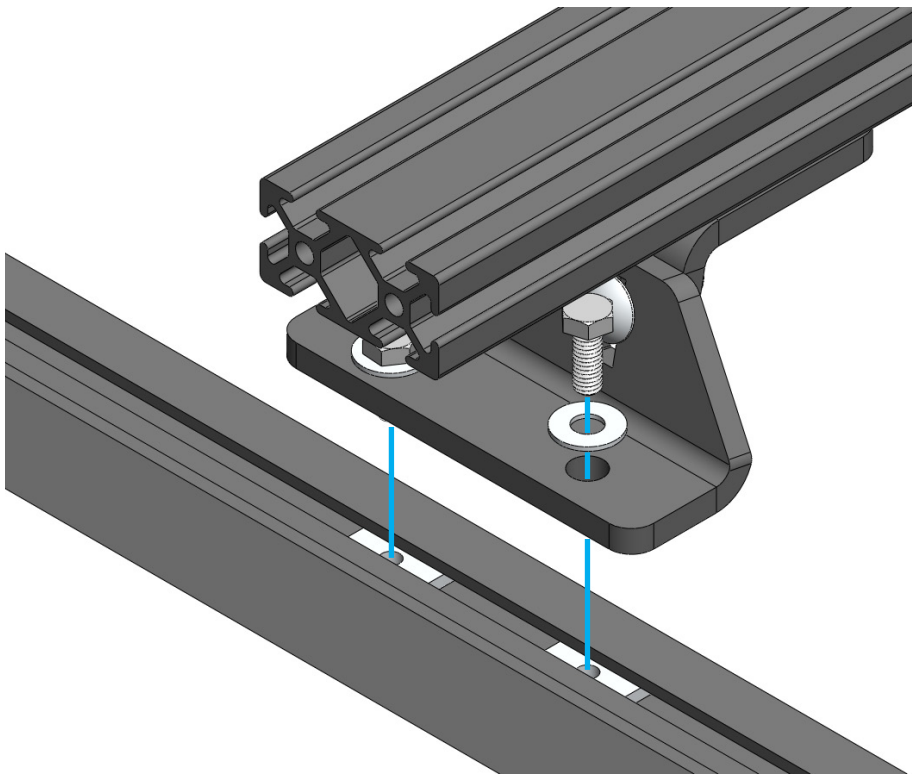
8x Tnuts

Drop two tnuts into the slots on the broad side of a crossbar, one in each track. Bolt the top of the mounting bracket assembly from the previous step to the cross member. Leave this hardware loose so that it can be adjusted once the cross members are placed on the vehicle.

Repeat this process on the other end of the cross member with the mounting bracket facing the opposing direction from the first. Then, repeat this whole process for the second mounting-foot cross member.



x2



02

Required Components:

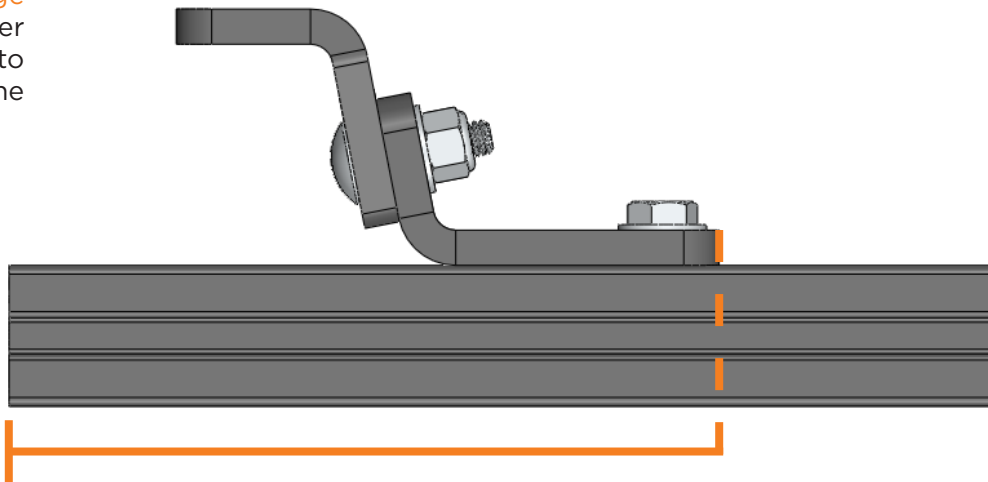
8x M6 Bolts

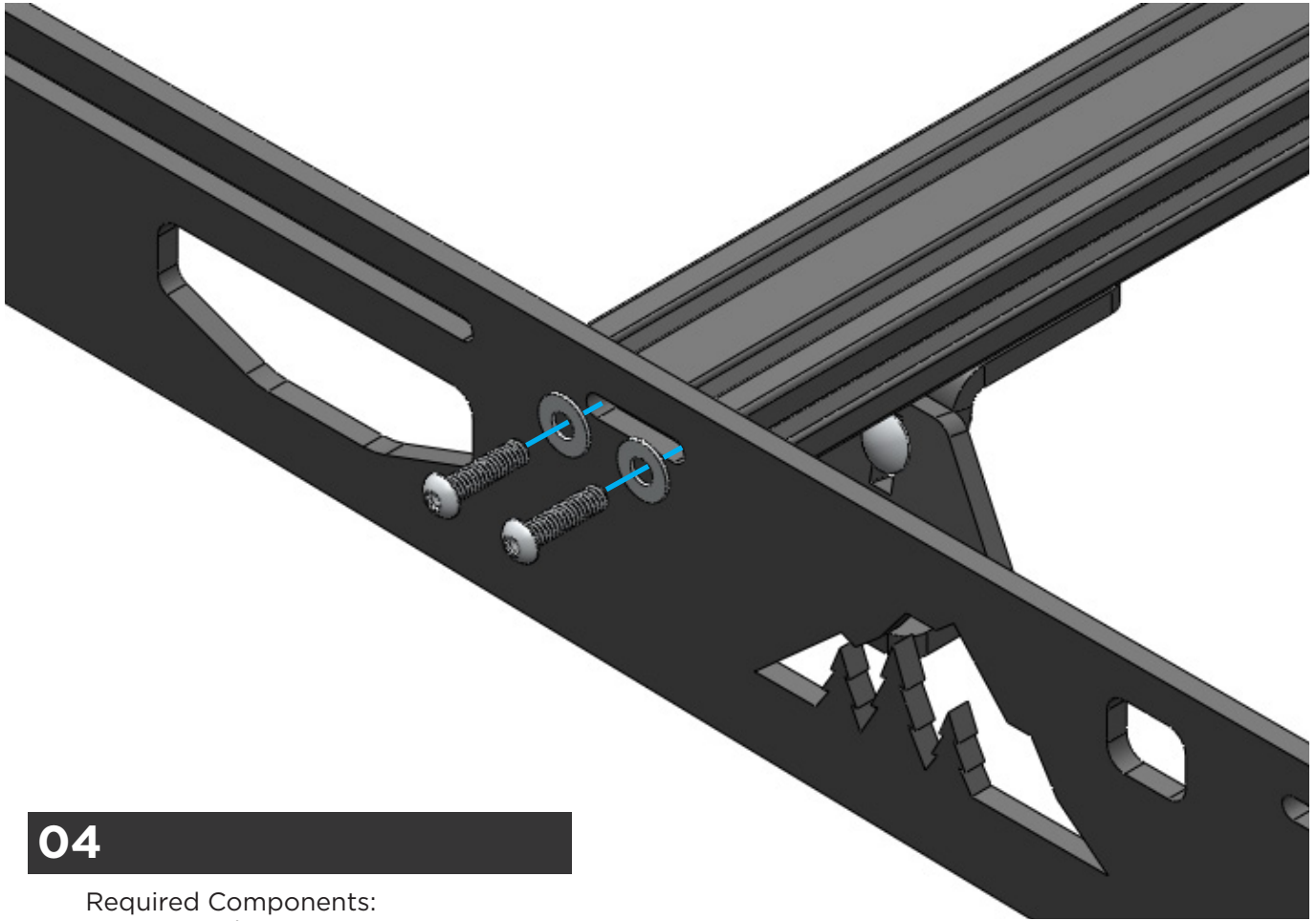
8x M6 Flat Washers

With the two main support cross members assembled, flip them over and align the mounting brackets with the OEM roof tracks. Secure them to the vehicle using eight M6 bolts and washers, passed through the mounting bracket and into the capture nuts in the roof track. Leave this hardware loose so that it can be adjusted once the side plates are attached.

03

Center the cross members on the vehicle using a tape measure. Measuring the **distance from the ends of the crossmember to the inside-edge of the mounting brackets** on either side of the vehicle is the best way to ensure that the rack is centered on the vehicle.





04

Required Components:

8x 1/4"-20 x 1"

8x 1/4" Flat Washers

After the main support cross members have been secured to the vehicle, you can install the sideplates. Align the small slots in the rack side with the ends of the main support crossmembers. Secure it using 8 bolts and washers. Leave the bolts loose enough to move the sideplate to the position that matches the curve of the vehicle.

Once the rack is positioned correctly, tighten down all of the hardware for the rack sides, mounting hardware, and roof track bolts.



05

Required Components:

16x 1/4"-20 x 1"

16x 1/4" Flat Washers

Secure all of the remaining cross members to the rack system. Position according to your load requirements.

EXPLORE.



All products built and designed by Sherpa Equipment Company are intended for off-road use and should be assembled, installed, and used according to Sherpa Equipment Company's recommendations. Sherpa Equipment Companies products should be used safely with good judgment towards others and surroundings.

By installing Sherpa Equipment Companies products on your vehicle you assume all liability. Sherpa Equipment Company will not be held liable for damages or loss associated with the installation or use of its products. It is recommended that you inspect your roof rack within the first 100 miles of installation and every 500 miles after.