











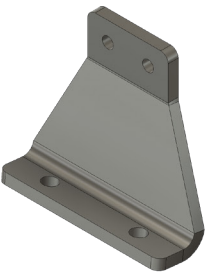
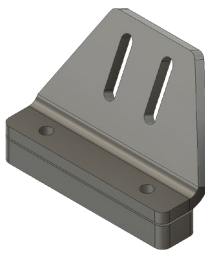
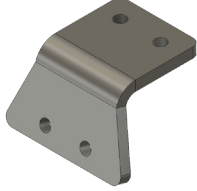
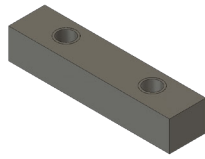


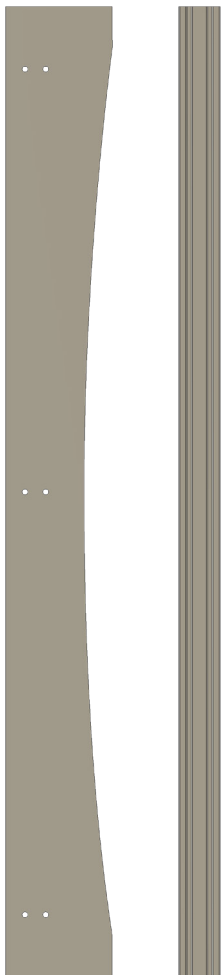
THE CRESTONE

I N S T A L L I N S T R U C T I O N S

HARDWARE CHECKLIST

Quantities marked in blue may be used in the preassembly of front adjustable mounts.
Exact hardware color counts may vary based on the options selected at checkout.

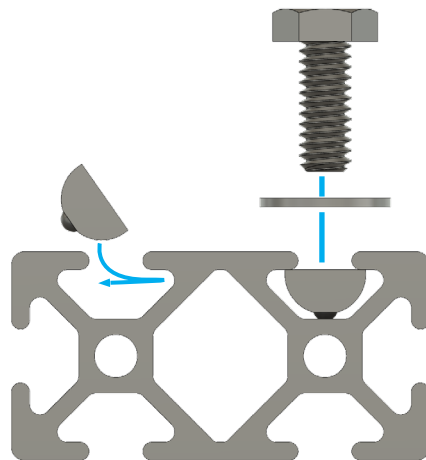
8	44	4	4	6	10	12	68	8
M8-1.25 (45mm)	1/4"-20 (1")	Carriage bolt (1/4"-20 x1")	1/4"-20 (9/16")	1/4"-20 (1/2")	1/4" Tnut	1/4" Nylock Nut	1/4" Flat Washer	M8 Bonded Washer
								
								
	2	2		2				4
	REAR MOUNTING BRACKETS	MIDDLE MOUNTING BRACKETS		FRONT ADJUSTABLE MOUNTS				MOUNTING RUBBER

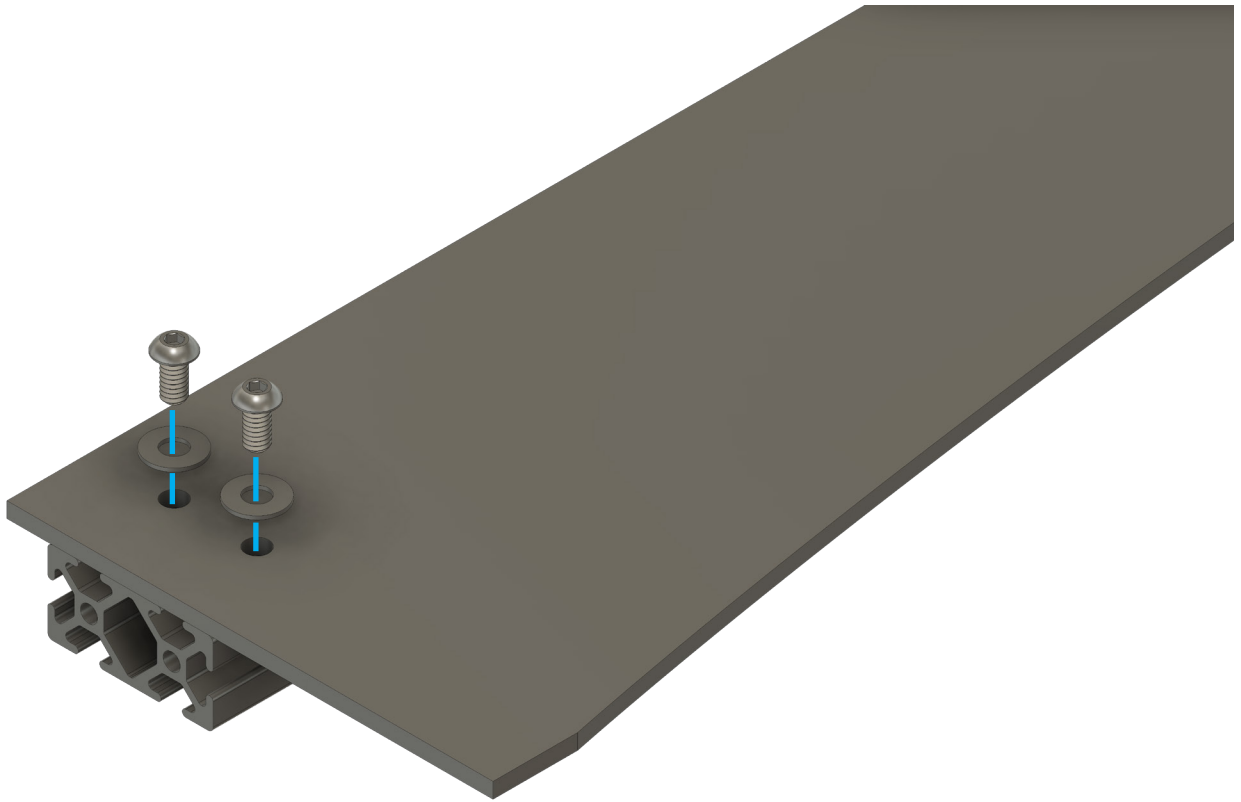


BEFORE YOU BEGIN

Remove your stock roof rack (if applicable). Loosen all stock rack bolts before fully removing any of them. This will prevent the capture plates from working loose inside of the roof. Work slowly when removing the stock rack as not to break the plastic sleeves.

USING TNUTS





PRE-ASSEMBLY

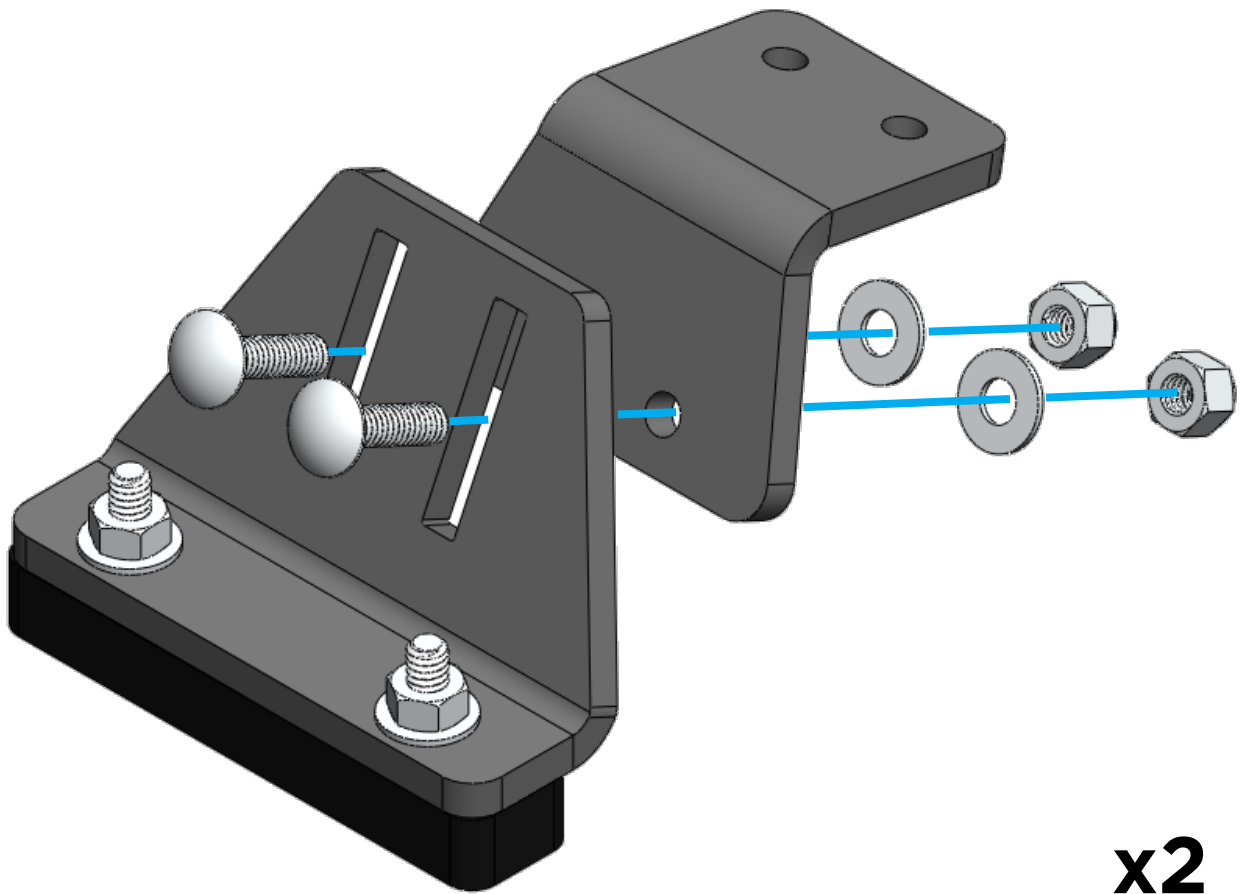
Required Components:

6x 1/4"-20 x 1/2"

6x 1/4" Flat Washers

6x Tnuts

Drop 6 tnuts into the slots on the cross member and line them up with the holes in the fairing. Secure with 6 bolts and washers.



PRE-ASSEMBLY

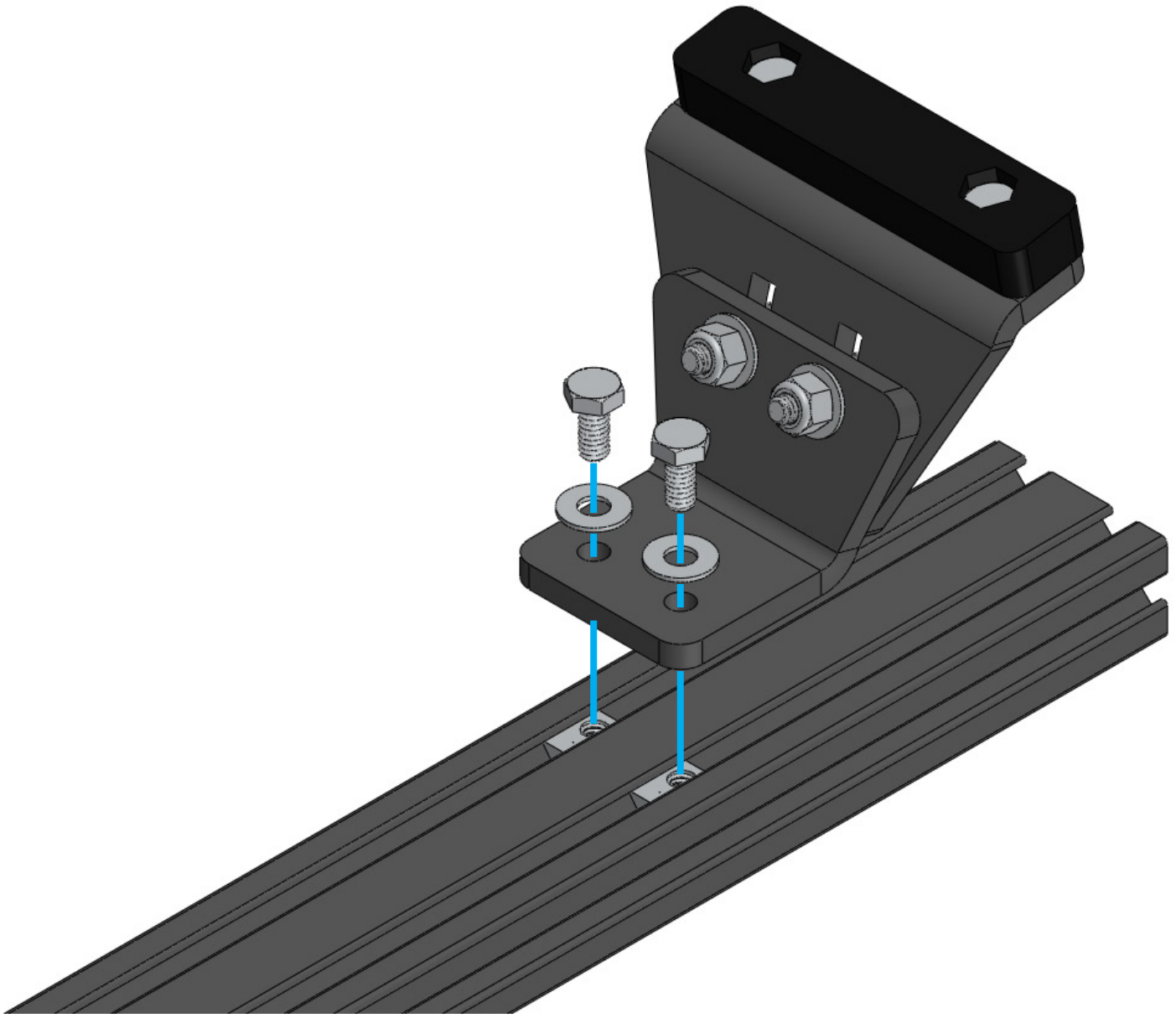
Required Components:

4x 1/4"-20 x 1" Carriage bolt

4x 1/4" Flat Washers

4x Nylon Lock Nuts

Install the hardware as pictured above, but leave the assembly loose so that it can be adjusted during a later step.



01

Required Components:

4x 1/4"-20 x 5/8" Hex bolt

4x 1/4" Flat Washers

4x T-nuts

Drop two t-nuts into the slotted profile of the extrusion. Fasten the front leveling mounts to the crossbar by threading 4 bolts and washers through the leveling bracket and into the t-nuts. Repeat this step so that both adjustable feet are mounted to the same cross member.

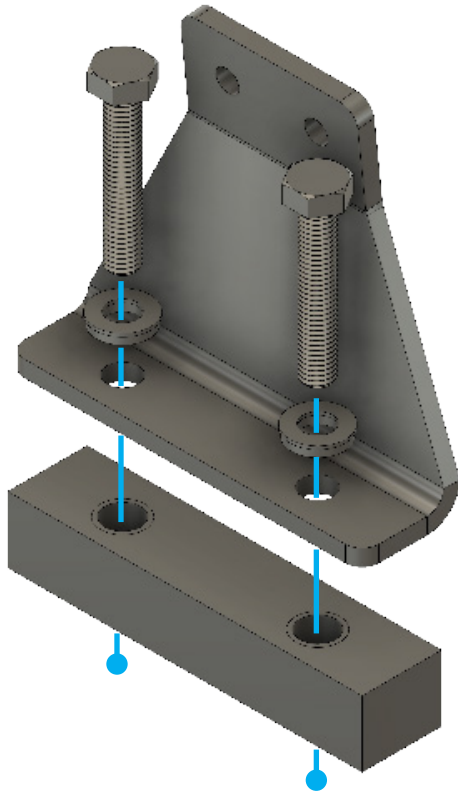


02

Required Components:

8x M8 Bolts

8x M8 Bonded Washers



Next, install the rear and middle mounting brackets. The tall side of the bracket should face out from the vehicle. Align the rubber spacers with the factory holes in your roof gutter. The metal sleeves should slide over the OEM white plastic tubes. The thin side of the rubber should be positioned towards the center of the vehicle.

Position the mounting bracket over the rubber spacer and secure it with 8 bolts and bonded washers passed through the bracket, rubber, and into the holes in the roof.

The bonded washers should compress and become flat, but not concave. Do not over tighten these mounts.

TORQUE SPEC: 22in-lb

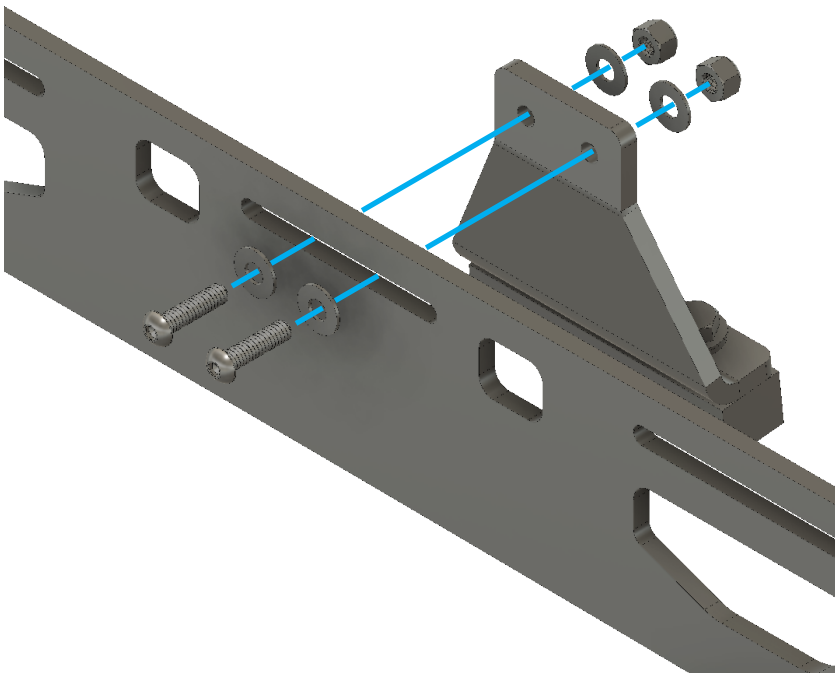
03

Required Components:

8x 1/4"-20 x 1"

16x 1/4" Flat Washers

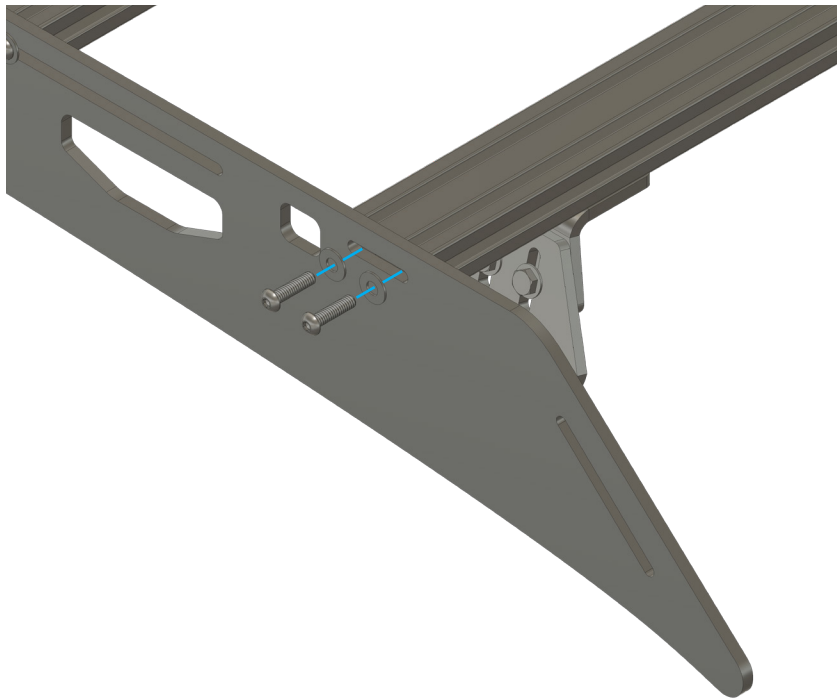
8x 1/4" Nylock Nut



After the main support cross members have been secured to the vehicle, you can install the side plates. Align the small slots in the rack side with the rear and middle brackets. Secure it using the bolts, washers and lock nuts. Leave the bolts loose enough to move the sideplate to the position that matches the curve of the vehicle.

It is recommended that you install the rear crossbar to check the rack clearance with the XM antenna before tightening hardware.

Once the rack is positioned correctly, tighten down all of the hardware for the rack sides, mounting hardware and roof track bolts.



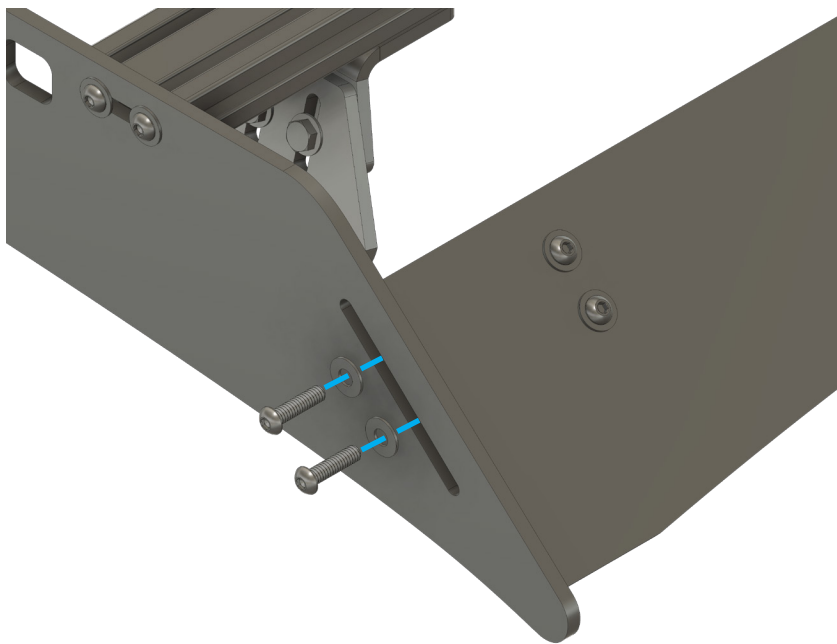
04

Required Components:

4x 1/4"-20 x 1"

4x 1/4" Flat Washers

With the side plates attached to the vehicle, align the cross member (with adjustable leveling mounts) to the small slot. Fasten it with 4 bolts and washers.



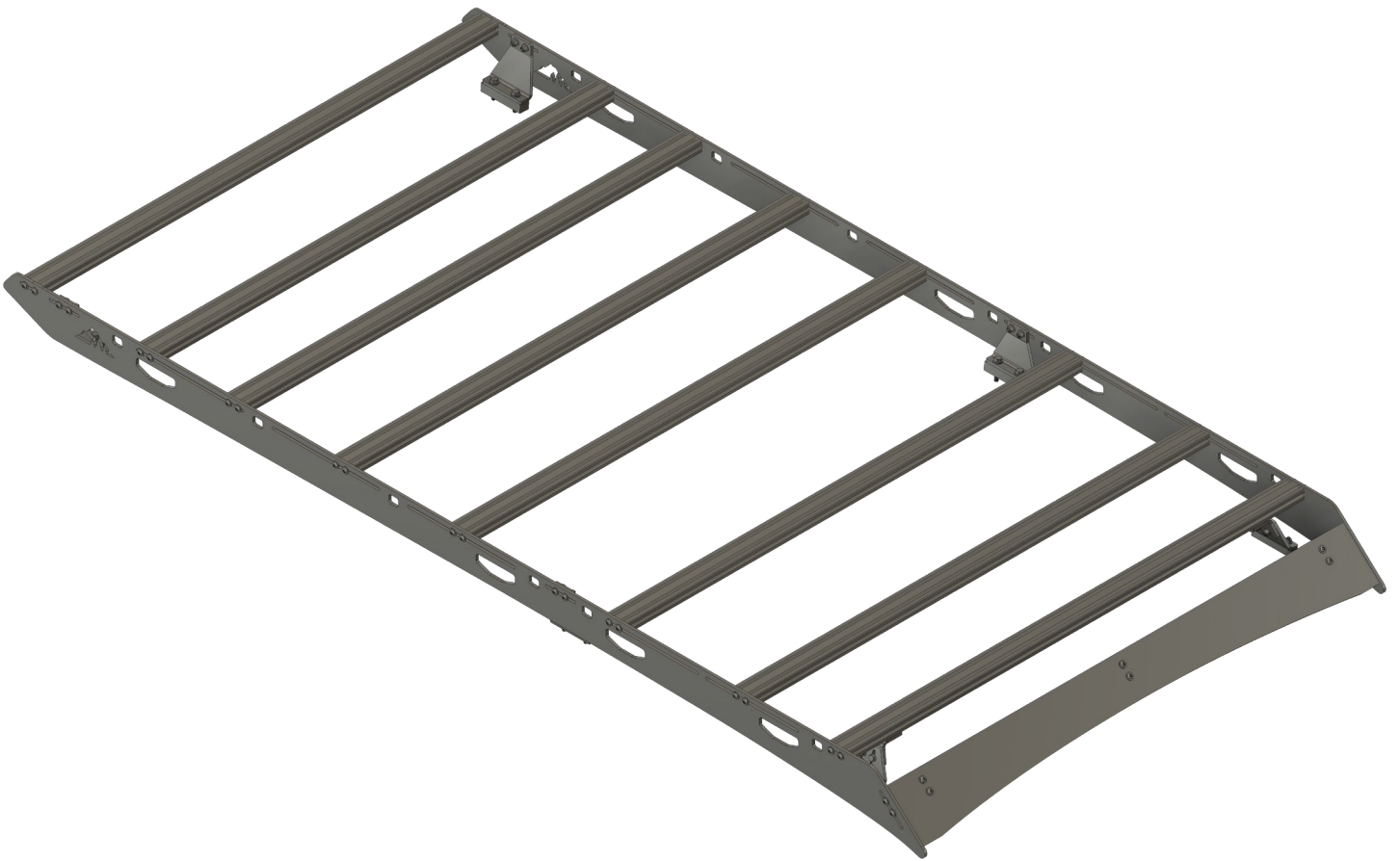
05

Required Components:

4x 1/4"-20 x 1"

4x 1/4" Flat Washers

Position the wind fairing in line with the diagonal slot at the front of the rack. Align the bottom of the fairing with the tip of the roof rack and secure it using 4 bolts and washers.



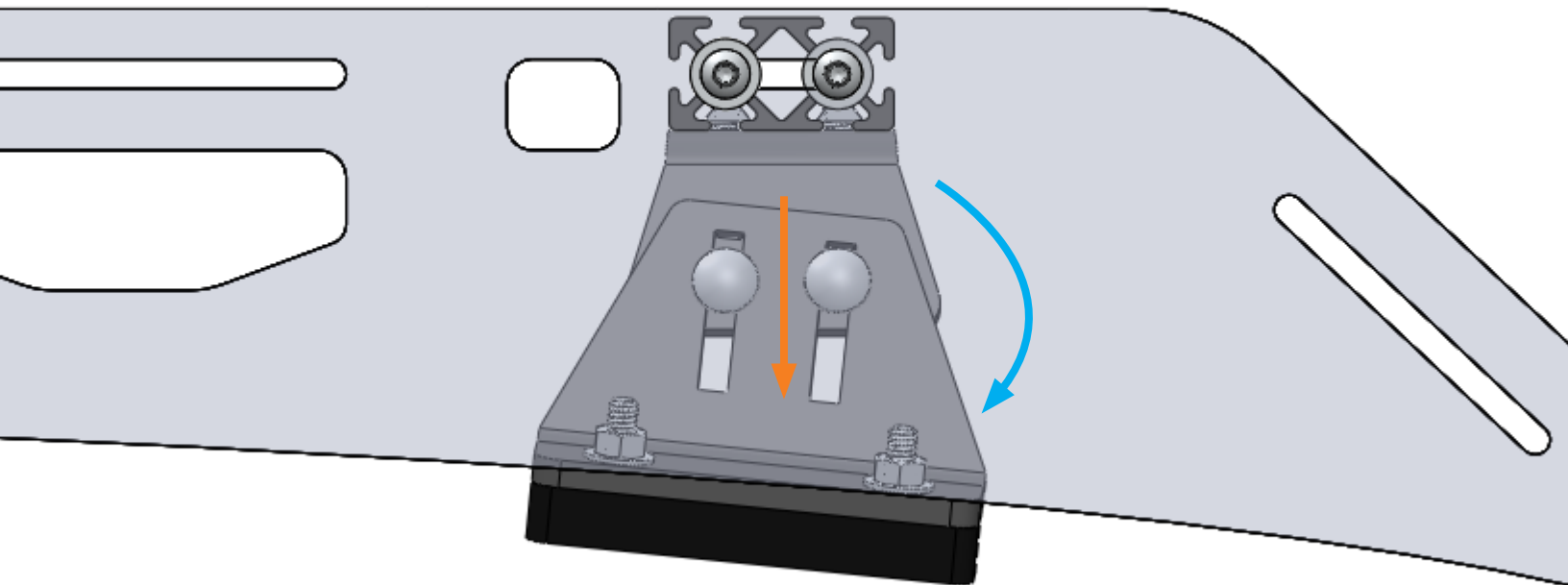
06

Required Components:

28x 1/4"-20 x 1"

28x 1/4" Flat Washers

Secure all of the remaining cross members to the rack system. Position according to your load requirements. When supporting heavy loads insure that it is evenly supported by the rack system and the crossbars are spaced accordingly.



07

Final adjustments can be made to the front leveling mounts once the rack has been assembled on the vehicle. We recommend an extra set of hands for this step. You may also need to loosen the middle mounts for this step depending on your configuration.

Apply upward pressure on the front of the rack and insert a microfiber towel or other soft buffer between the front of the rack and the vehicle's roof. Adjust the **angle** and **height** of the mounting foot to sit as firmly on the vehicle's roof as possible, then tighten the hardware in the center of the mount. It is recommended to position these mounts on the plastic gutter trim to prevent possible paint damage.

Once the mounts are in the correct position, remove the buffer and inspect the rack to make sure it is firm.

EXPLORE.



All products built and designed by Sherpa Equipment Company are intended for off-road use and should be assembled, installed, and used according to Sherpa Equipment Company's recommendations. Sherpa Equipment Companies products should be used safely with good judgment towards others and surroundings.

By installing Sherpa Equipment Companies products on your vehicle you assume all liability. Sherpa Equipment Company will not be held liable for damages or loss associated with the installation or use of its products. It is recommended that you inspect your roof rack within the first 100 miles of installation and every 500 miles after.