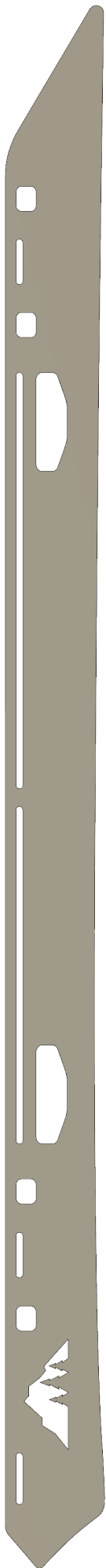




THE ANTERO

I N S T A L L I N S T R U C T I O N S



20

1/4"-20
(1")



8

M6-1.00
(16mm)



8

1/4"-20
(5/8")



8

1/4" Tnut



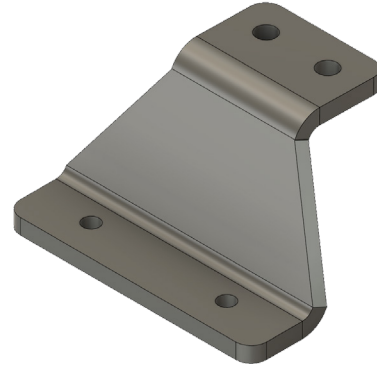
28

1/4" Flat
Washer



8

M6 Flat
Washer



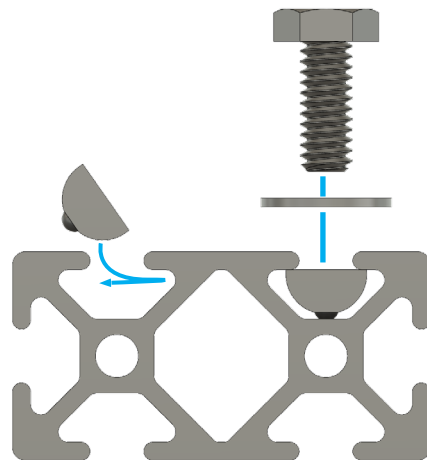
4

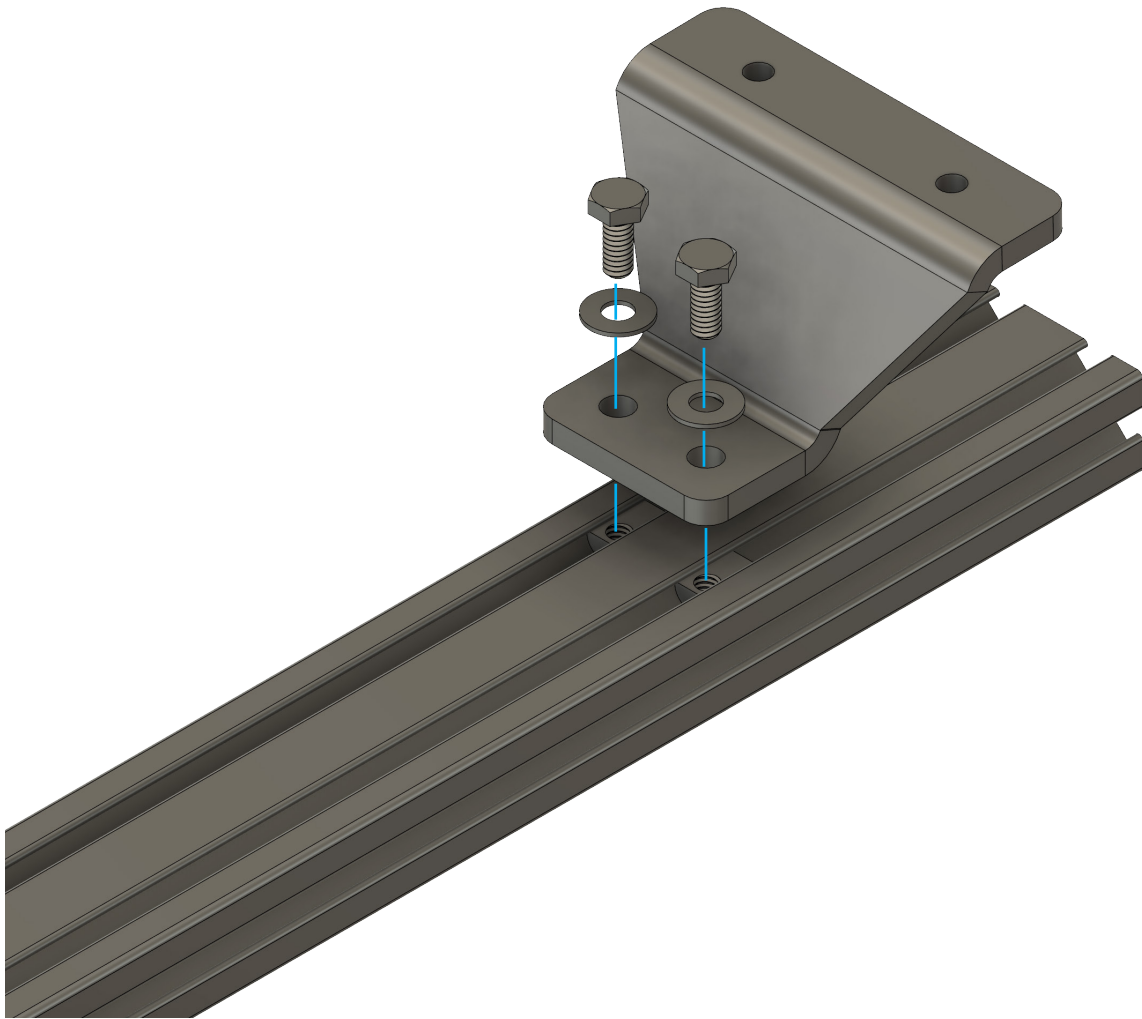
REAR
MOUNTING
BRACKETS

BEFORE YOU BEGIN

Remove your stock roof rack (if applicable) and make sure you have 8 capture nuts available in the black roof track.

USING TNUTS





01

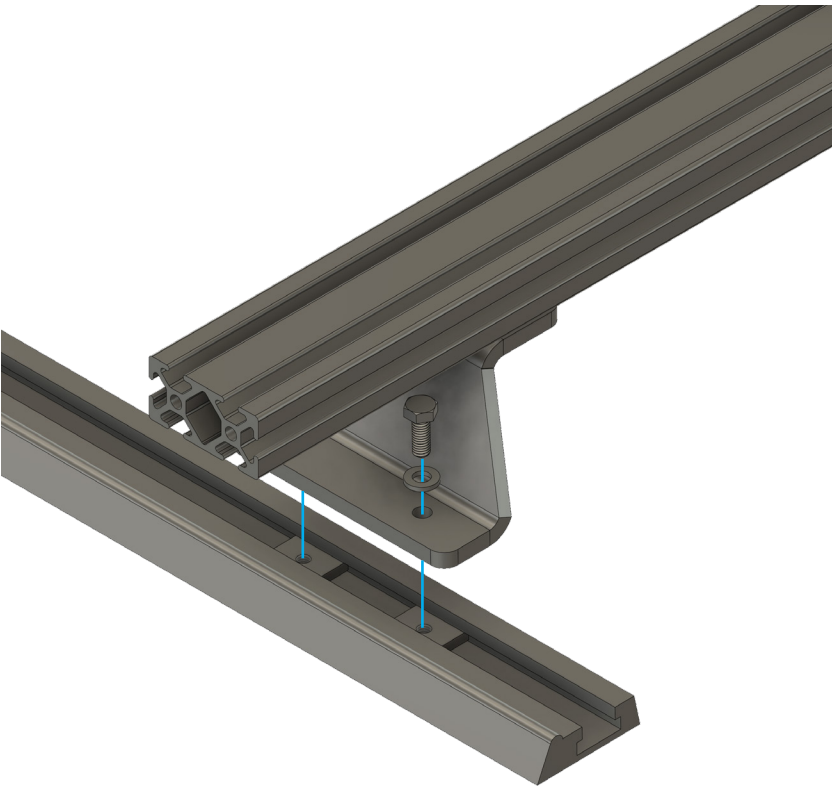
Required Components:

8x 1/4"-20 x 5/8"

8x 1/4" Flat Washers

8x Nuts

Drop the 8 nuts into the slots of two crossbars, two in each track. Bolt the top of the mounting brackets to the cross member, one foot on each end as shown in the diagram. Leave this hardware loose so that it can be adjusted once the cross members are placed on the vehicle.



02

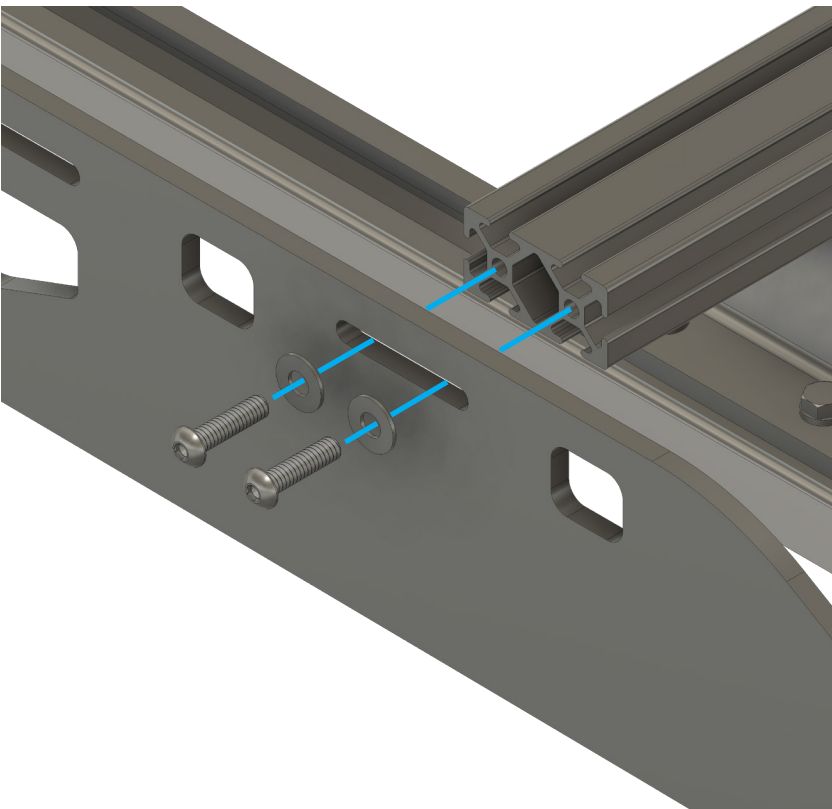
Required Components:

8x M6 Bolts

8x M6 Flat Washers

With the two main support cross members assembled, flip them over and align the mounting brackets with the OEM roof tracks. Secure them to the vehicle using 8 M6 bolts and washers, passed through the mounting bracket and into the capture nuts in the roof track. Leave this hardware loose so that it can be adjusted once the side plates are attached.

Center the cross members on the vehicle using a tape measure and tighten them to the mounting bracket.



03

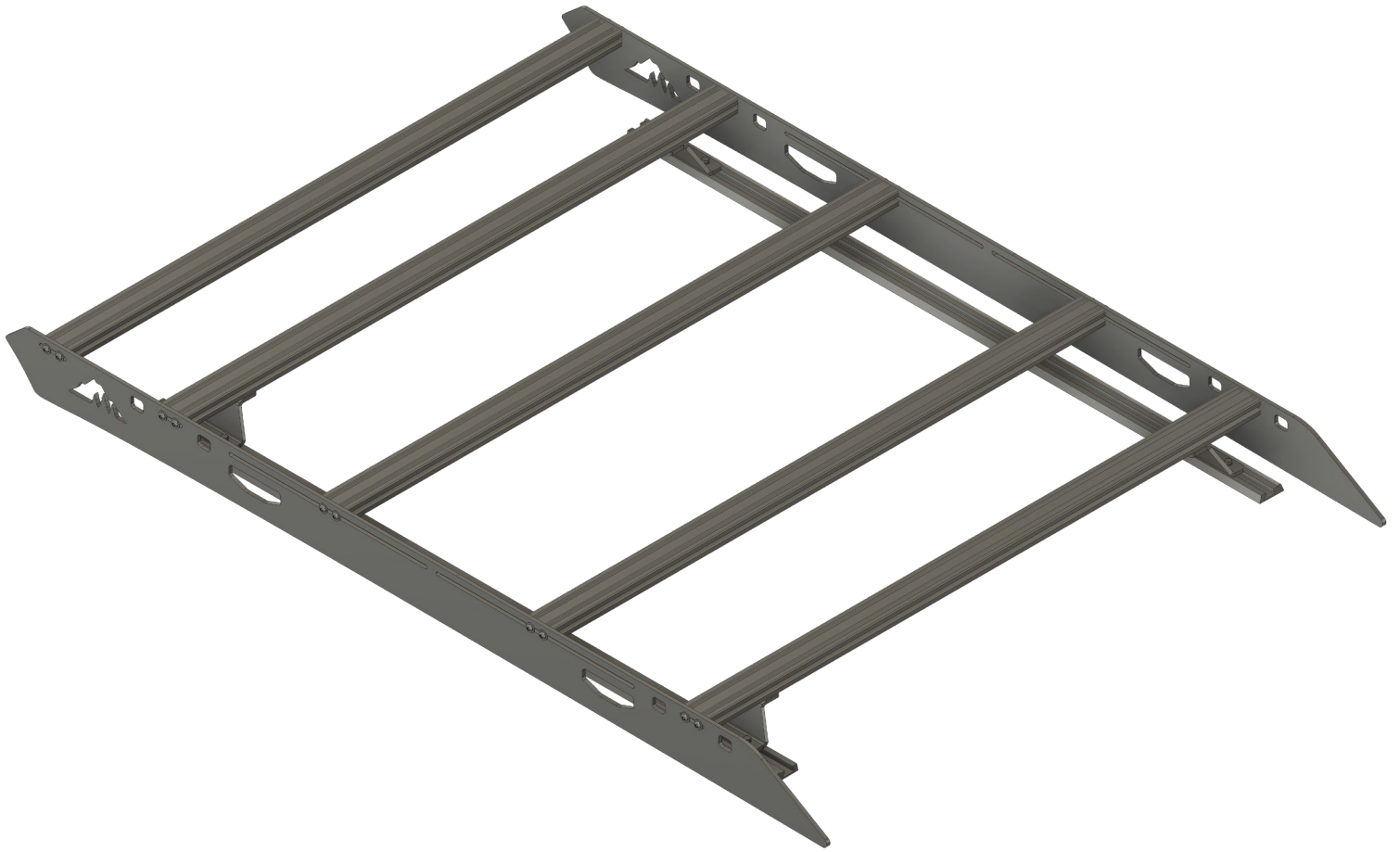
Required Components:

8x 1/4"-20 x 7/8"

8x 1/4" Flat Washers

After the main support cross members have been secured to the vehicle, you can install the side plates. Align the small slots in the rack side with the ends of the main support crossmembers. Secure it using 8 bolts and washers. Leave the bolts loose enough to move the sideplate to the position that matches the curve of the vehicle.

Once the rack is positioned correctly, tighten down all of the hardware for the rack sides, mounting hardware and roof track bolts.



04

Required Components:

12x 1/4"-20 x 7/8"

12x 1/4" Flat Washers

Secure all of the remaining cross members to the rack system. Position according to your load requirements.

EXPLORE.

All products built and designed by Sherpa Equipment Company are intended for off-road use and should be assembled, installed, and used according to Sherpa Equipment Company's recommendations. Sherpa Equipment Companies products should be used safely with good judgment towards others and surroundings.

By installing Sherpa Equipment Companies products on your vehicle you assume all liability. Sherpa Equipment Company will not be held liable for damages or loss associated with the installation or use of its products. It is recommended that you inspect your roof rack within the first 100 miles of installation and every 500 miles after.