

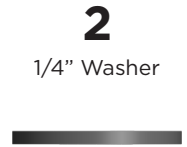


ANTENNA MOUNT

I N S T A L L I N S T R U C T I O N S

HARDWARE CHECKLIST

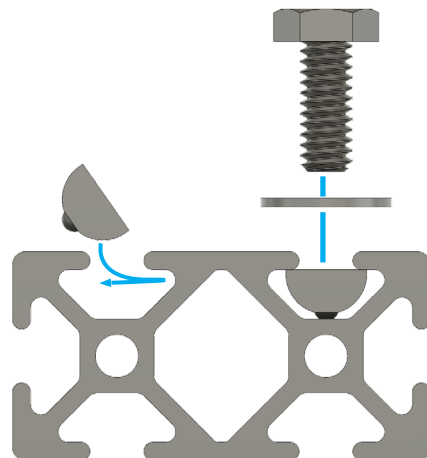
Exact hardware color counts may vary based on the options selected at checkout.



BEFORE YOU BEGIN

Install the antenna mount in the configuration that best suits your needs! These instructions will outline the general process of installing it, but that process can be applied across a variety of different positions and orientations.

USING TNUTS



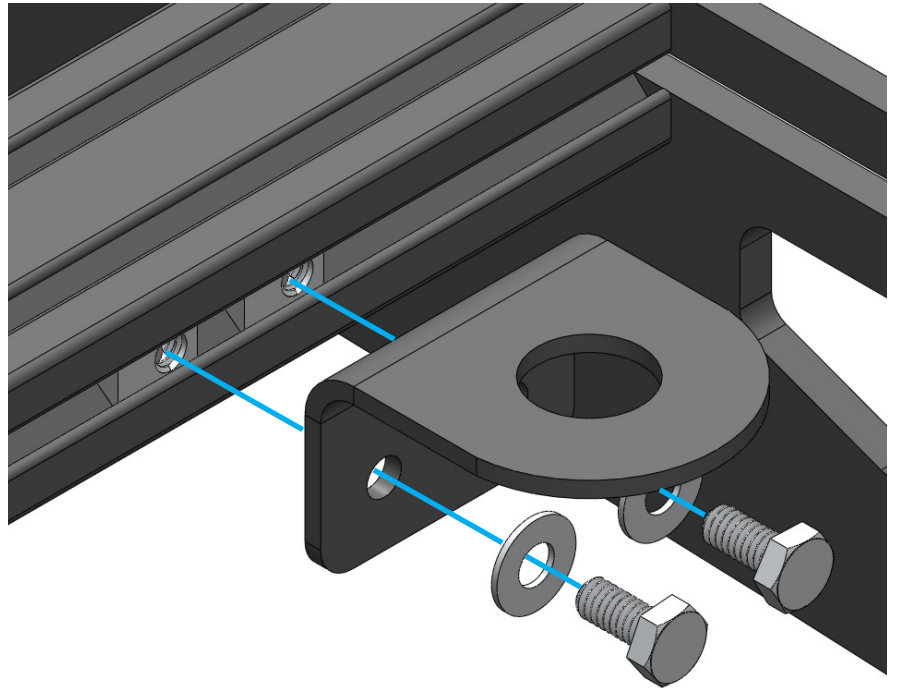
01

Required Components:

- 1 Sherpa Antenna Mount
- 2 1/4"- 20, 1/2" bolt
- 2 1/4"- 20, Tnut
- 2 1/4" flat washer

Insert two Tnuts into the side slot of a cross member. The supplied bolt and washer combination is then used to secure the antenna mount to the cross member, as pictured.

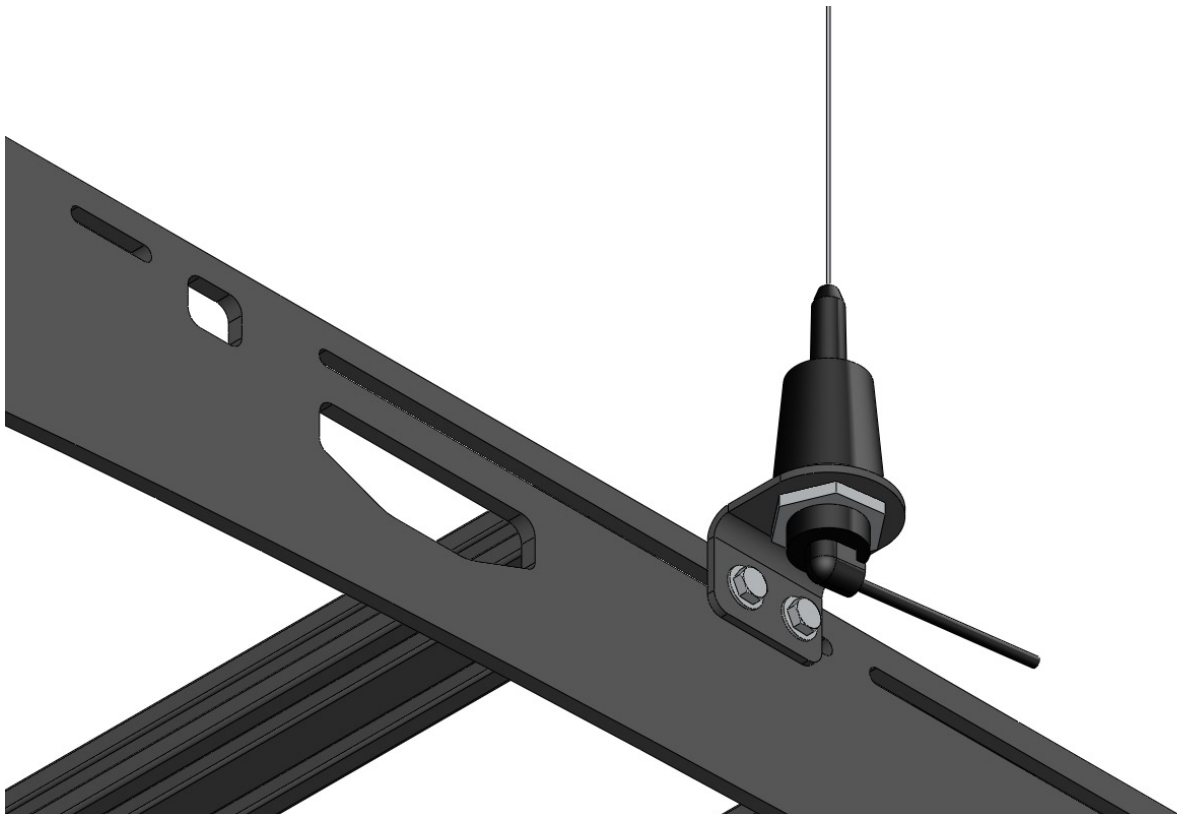
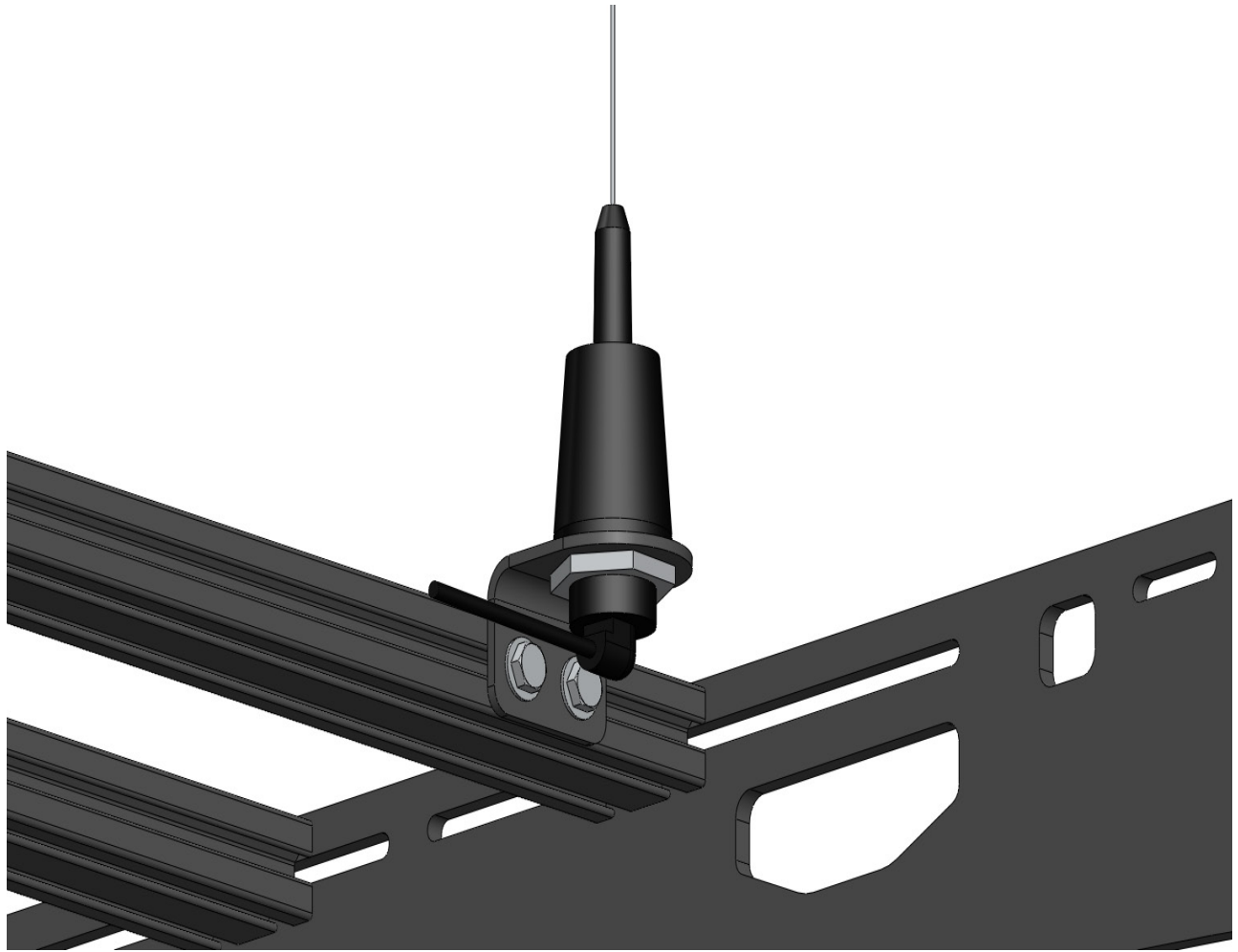
The antenna bracket can also be mounted on the side of the sideplate in the same slots that the crossmembers use if alternative hardware is used (not included).



02

While specific models may vary, most antennas will come in two parts - the main antenna body with threads on the end, and a wiring harness end that has internal threads. Simply screw the main antenna body into the bottom while sandwiching the Sherpa Antenna Mount between them.





EXPLORE.

All products built and designed by Sherpa Equipment Company are intended for off-road use and should be assembled, installed, and used according to Sherpa Equipment Company's recommendations. Sherpa Equipment Companies products should be used safely with good judgment towards others and surroundings.

By installing Sherpa Equipment Companies products on your vehicle you assume all liability. Sherpa Equipment Company will not be held liable for damages or loss associated with the installation or use of its products. It is recommended that you inspect your roof rack within the first 100 miles of installation and every 500 miles after.