

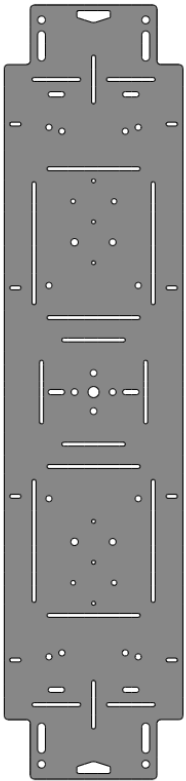


# ADAPT PLATES

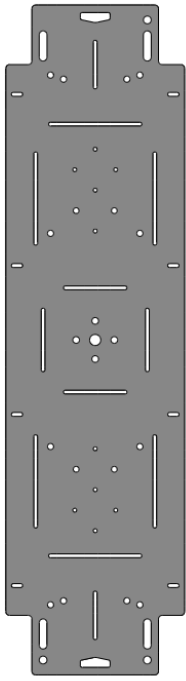
I N S T A L L I N S T R U C T I O N S

# HARDWARE CHECKLIST

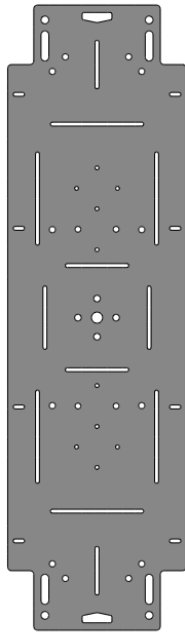
Exact hardware color counts may vary based on the options selected at checkout.



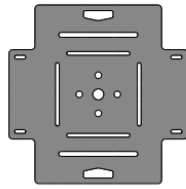
XL - 52"



LG - 45"



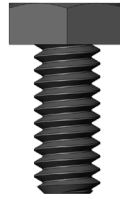
SM - 42"



Mini - 12"

**4 - 8**

1/4"-20  
(9/16")



**4 - 8**

1/4"-20 Tnut



**4 - 8**

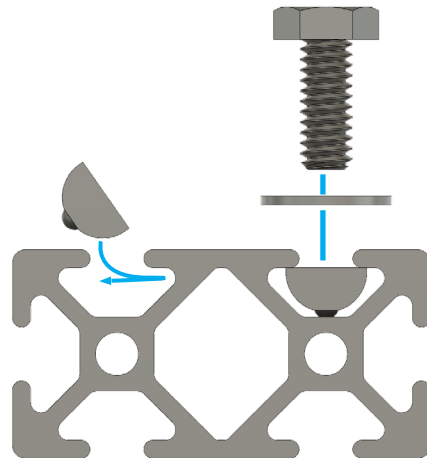
1/4" Washer



## BEFORE YOU BEGIN

Install the adapt plates in the configuration that best suits your needs! These instructions will outline the general process of installing the adapt plates, but that process can be applied across a variety of different positions and orientations.

## USING TNUTS



## Setup

Required Components:

**12"** Adapt Mini or

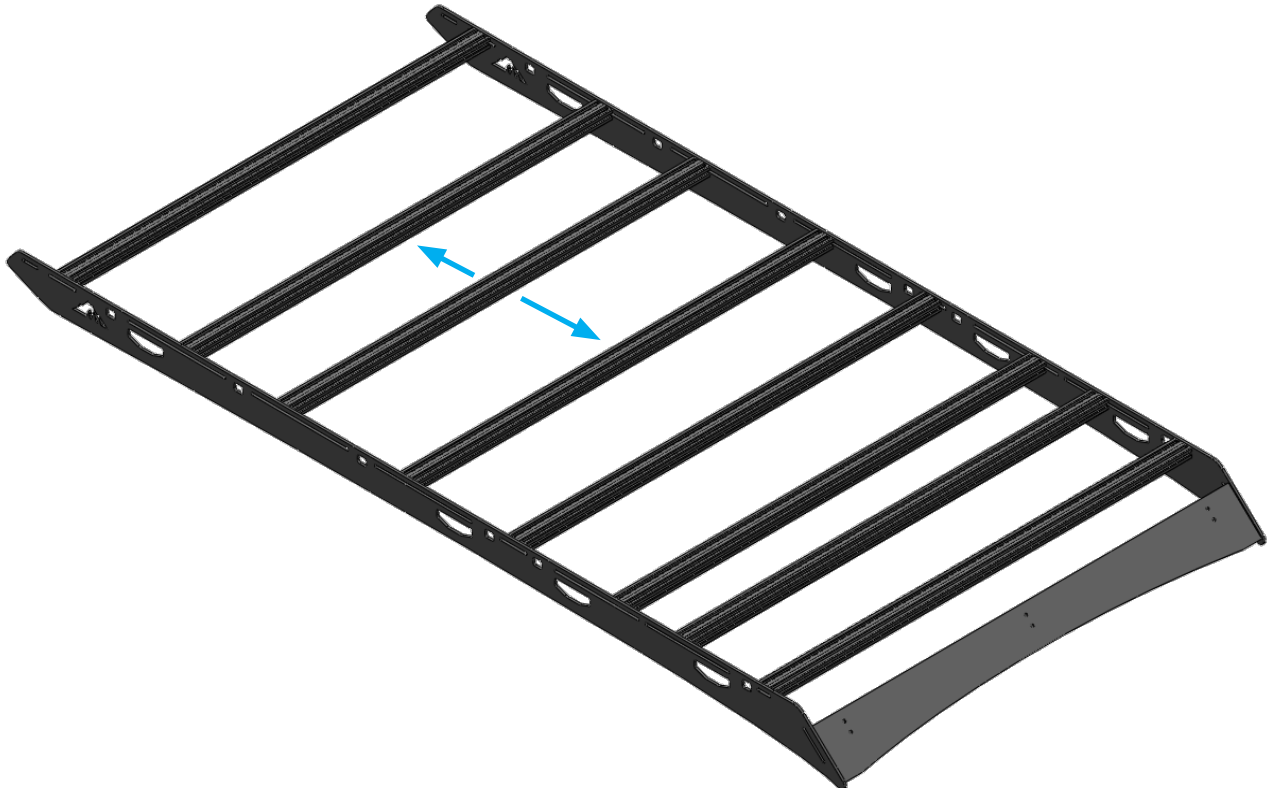
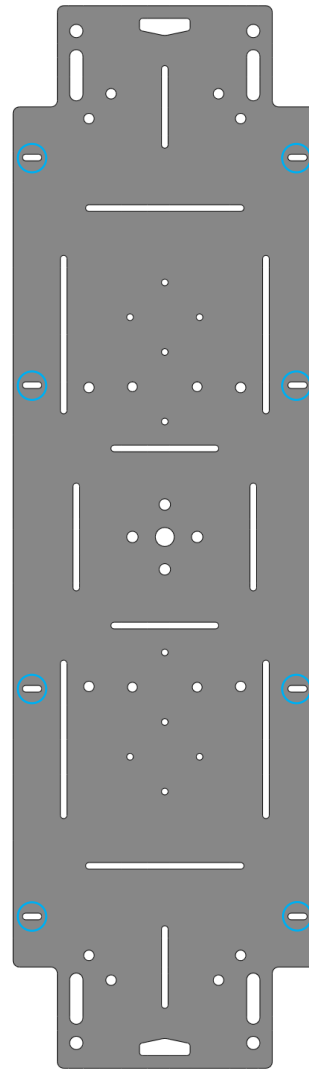
**42"** Adapt Small or

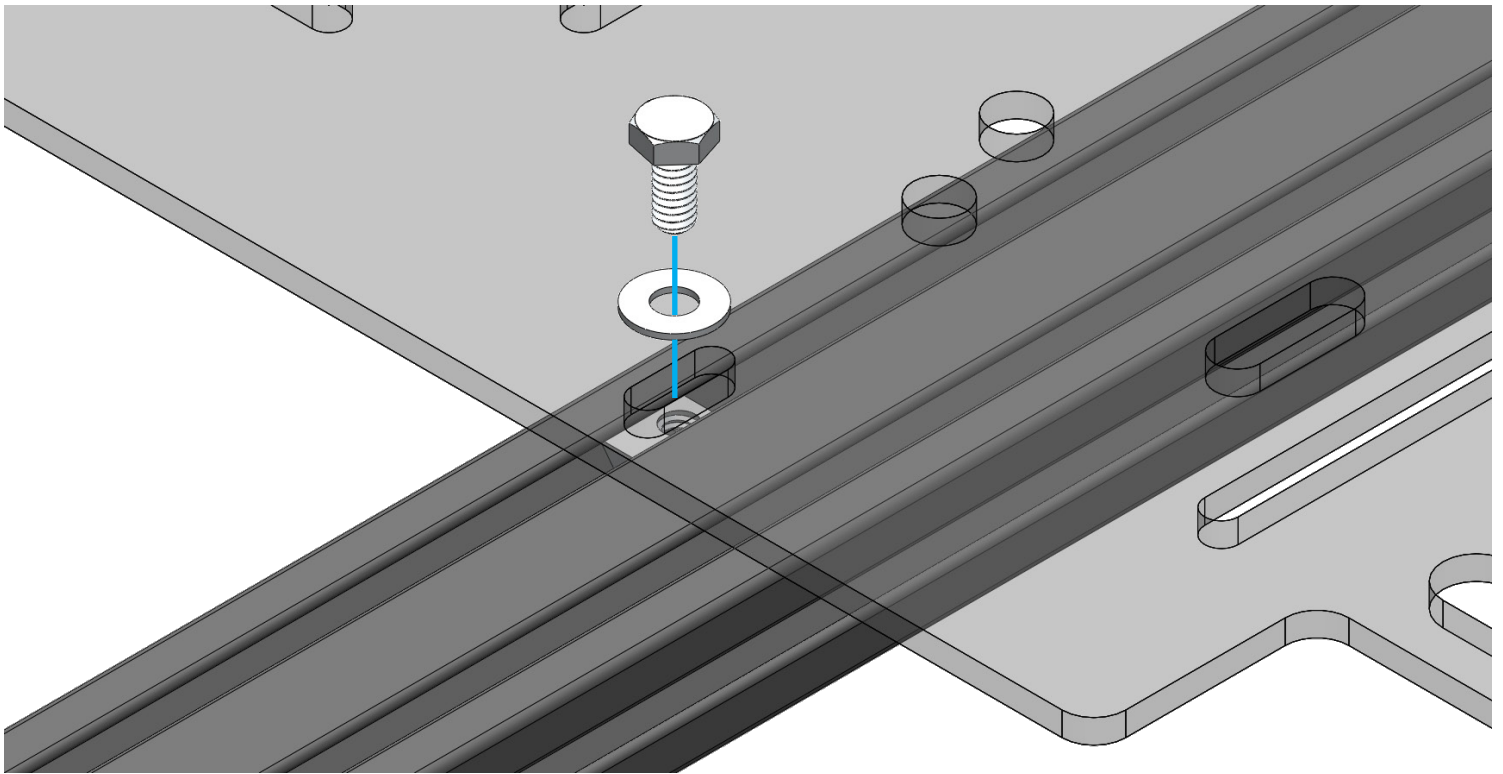
**45"** Adapt Large or

**52"** Adapt XL

Regardless of the size of the adapt plate, the mounting is the same. Utilize the slots [circled](#) in the figure to the right to bolt to the cross members along the rack.

Space the cross members apart to fit the accessory by loosening the 1/4"-20 socket buttons along the slots of the sideplates on each side of the rack. Be mindful of which cross members have mounting feet on them, as these cannot be moved.





## Assembly

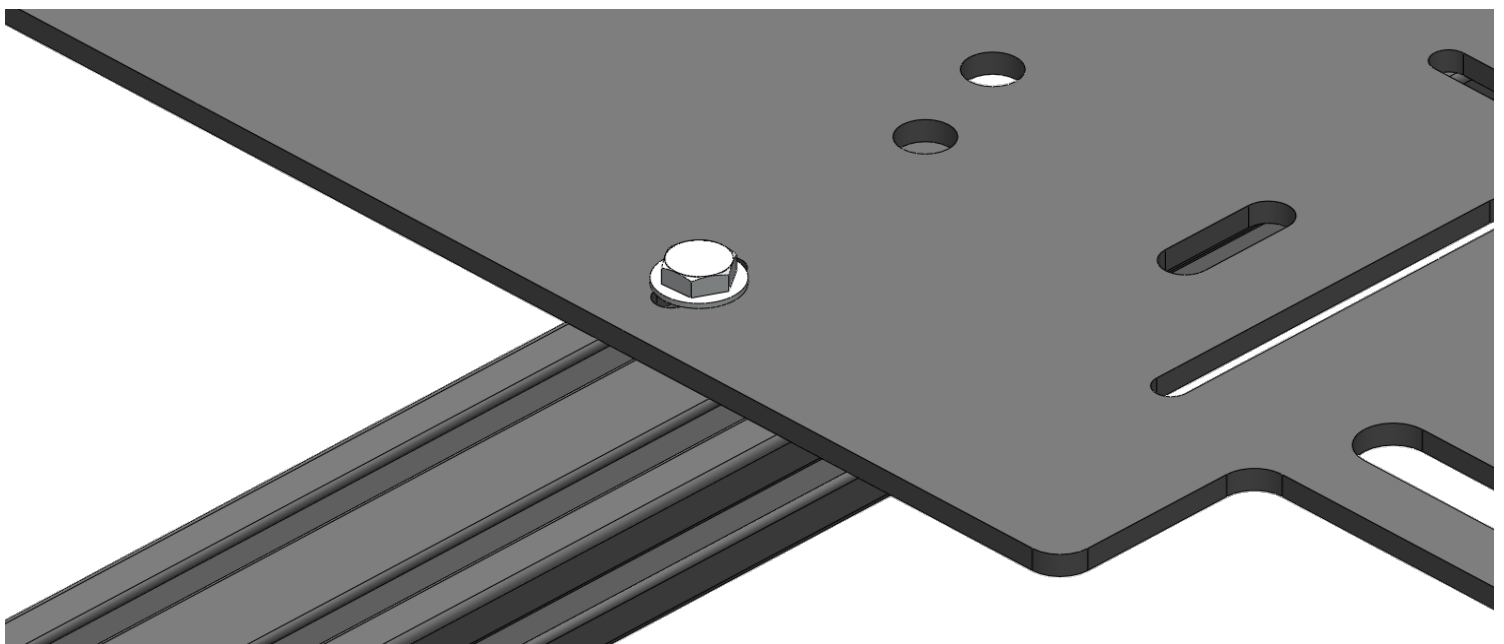
Required Components:

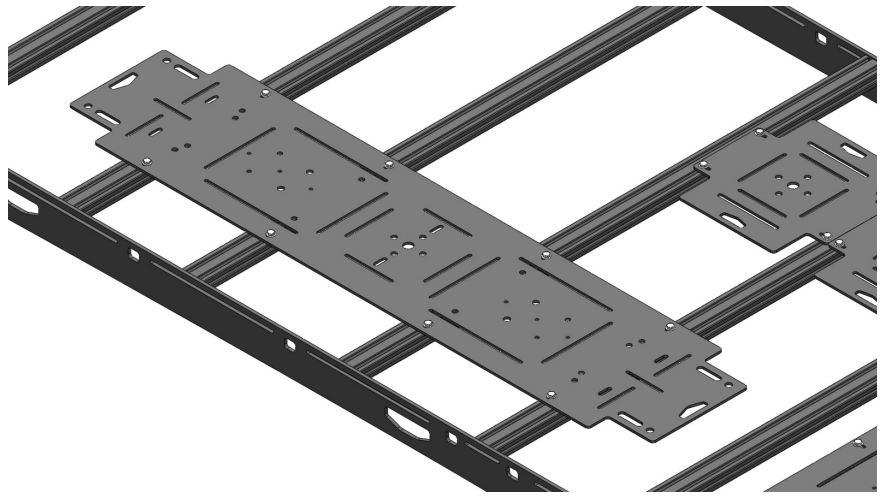
**4-8x** 1/4"-20 x 9/16"

**4-8x** 1/4" Flat Washers

**4-8x** Nuts

Drop the supplied nuts (4 for a mini, 8 for small/large/extra large) into the slots on a cross member and line them up with the slots along the edge of the adapt plate. The 1/4-20" bolts and washers are then inserted and tightened down to secure the plate.



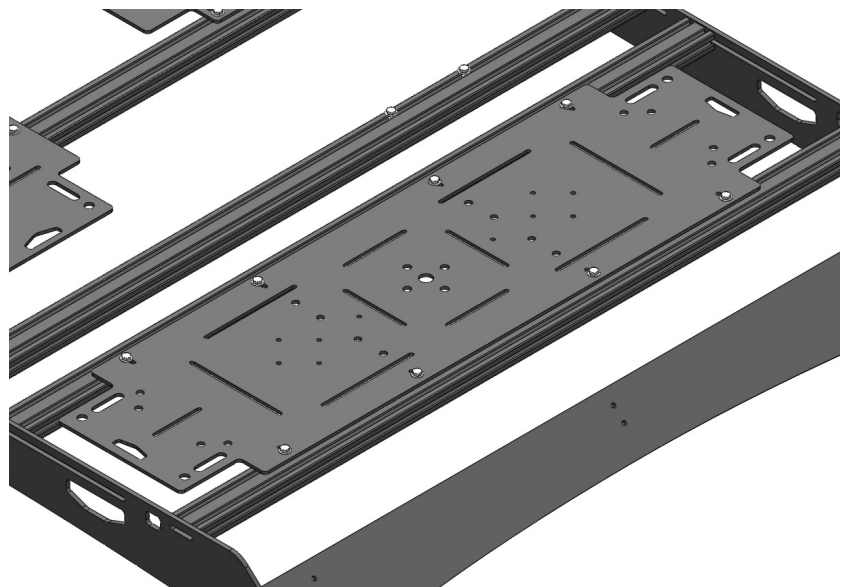
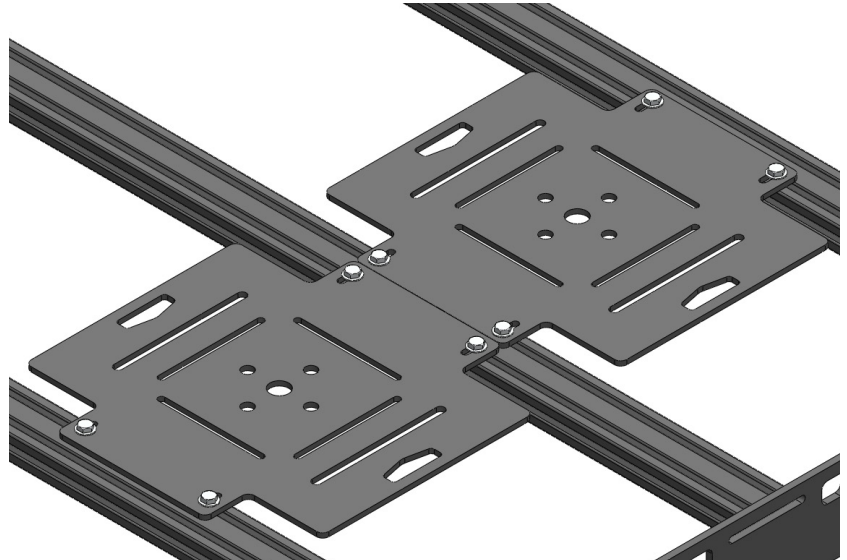


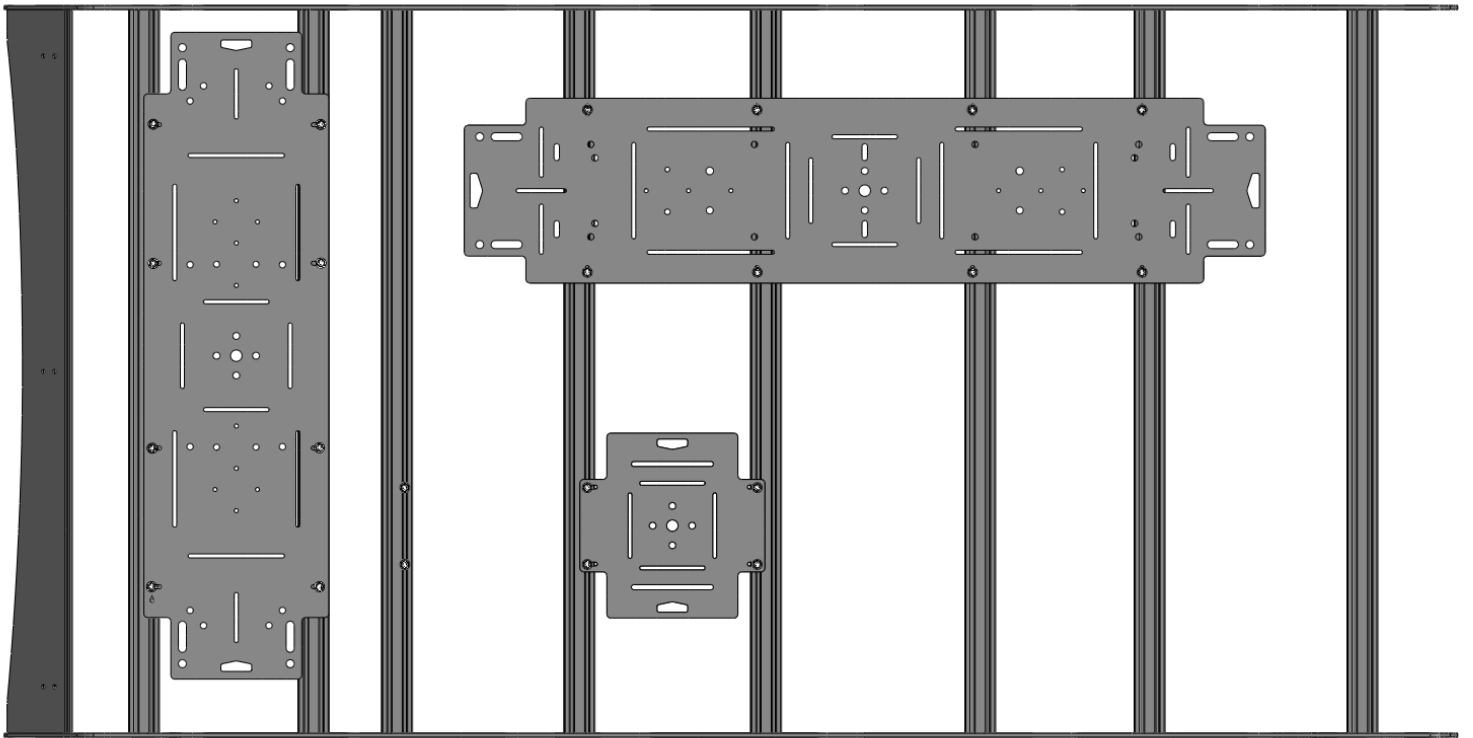
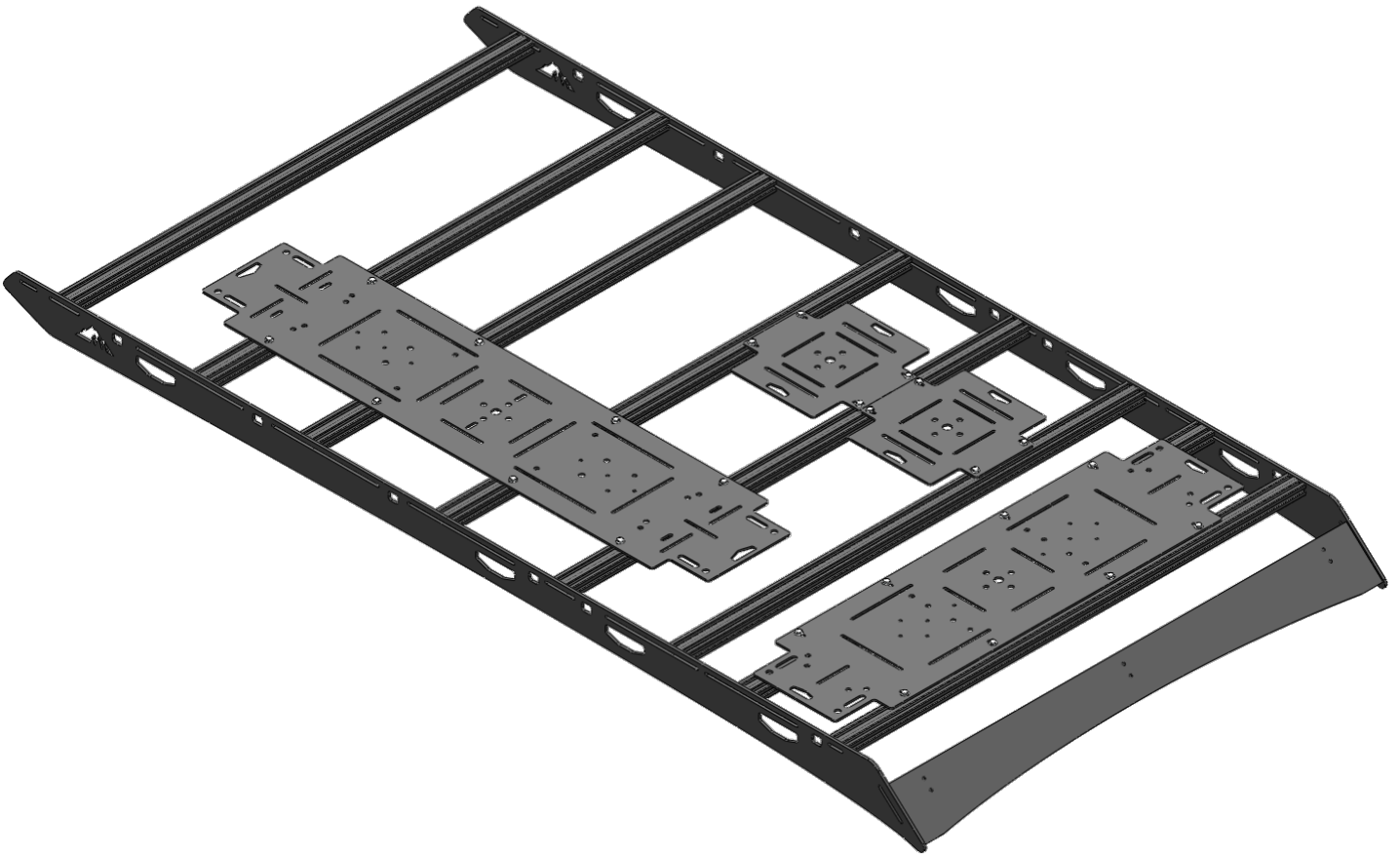
## Configurations

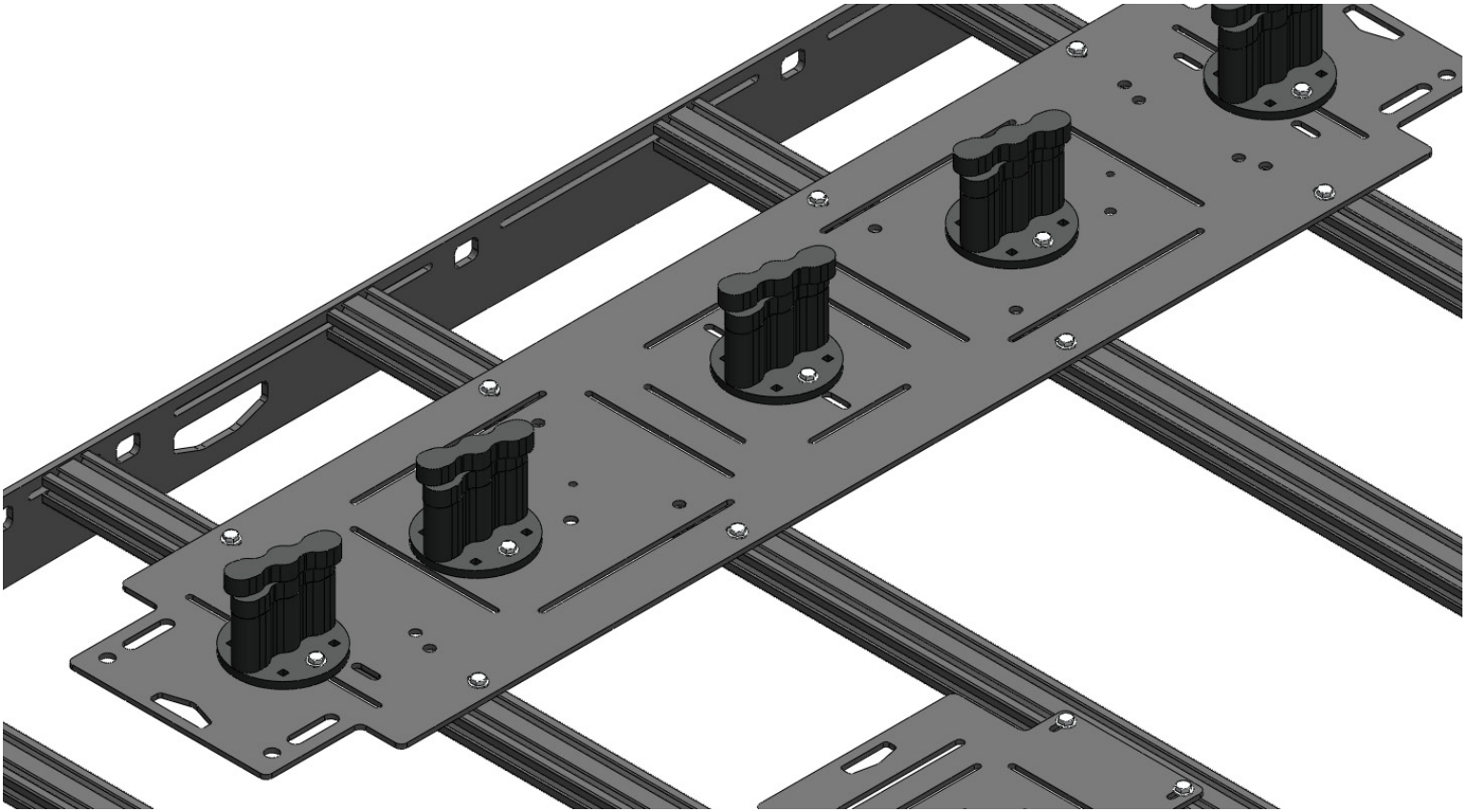
Pictured are a few examples of how the adapt plates can be mounted. As mentioned before, mount them to best serve your purpose and to fit around other accessories you may have mounted on your roof rack.

Note that multiple adapt plates can share a single cross member.

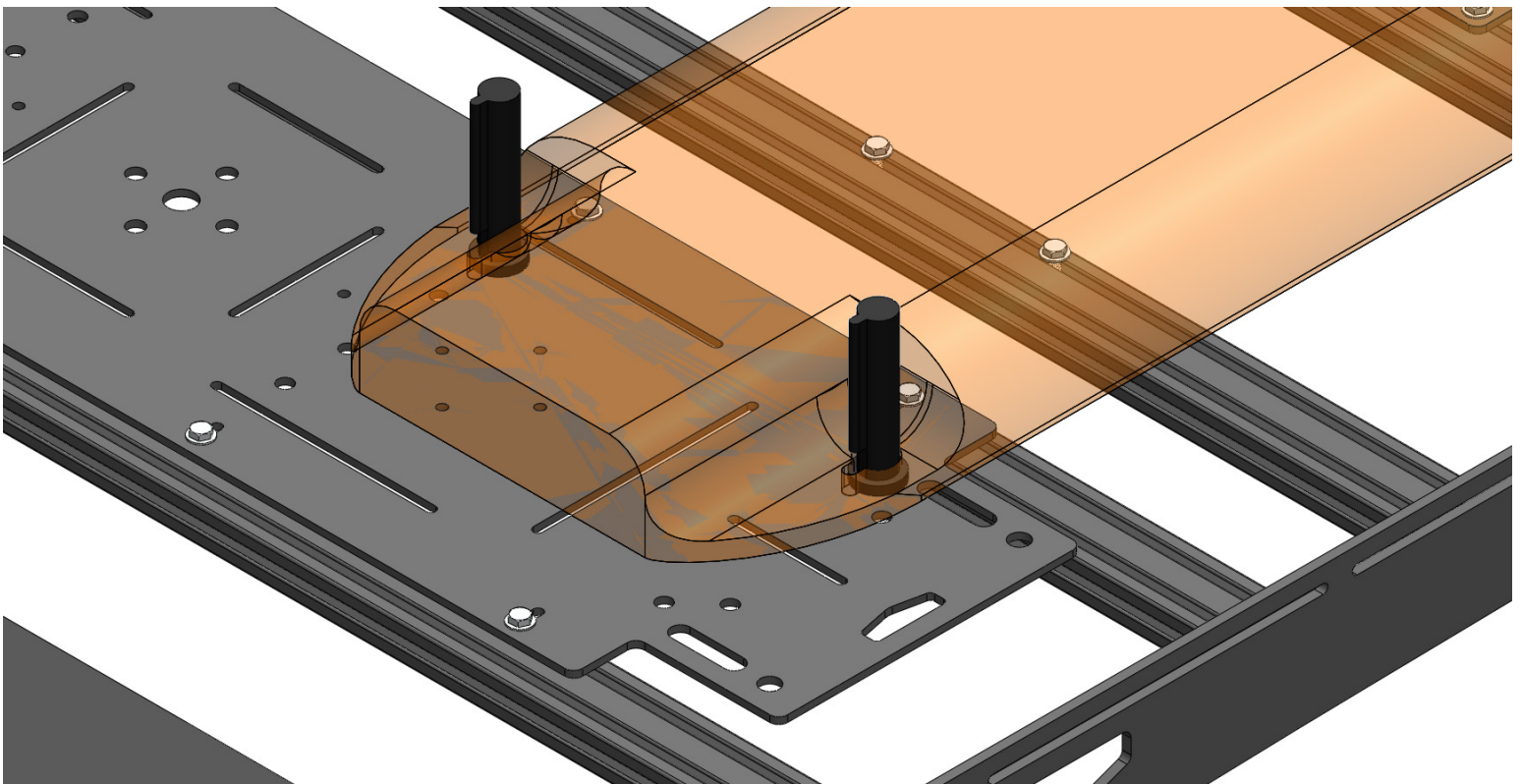
Finally, equally distributing loads across the surface of your roof rack can ensure longevity of your components. In extreme cases, loading only one side of the rack with all of the weight can lead to uneven tire wear or asymmetrical handling behavior.







Mount your rotopax in any spot you want. The sky's the limit.



\* Requires two adapt plates or traction board mounts (sold separately) to mount all four traction board pins.

# EXPLORE.

All products built and designed by Sherpa Equipment Company are intended for off-road use and should be assembled, installed, and used according to Sherpa Equipment Company's recommendations. Sherpa Equipment Companies products should be used safely with good judgment towards others and surroundings.

By installing Sherpa Equipment Companies products on your vehicle you assume all liability. Sherpa Equipment Company will not be held liable for damages or loss associated with the installation or use of its products. It is recommended that you inspect your roof rack within the first 100 miles of installation and every 500 miles after.