

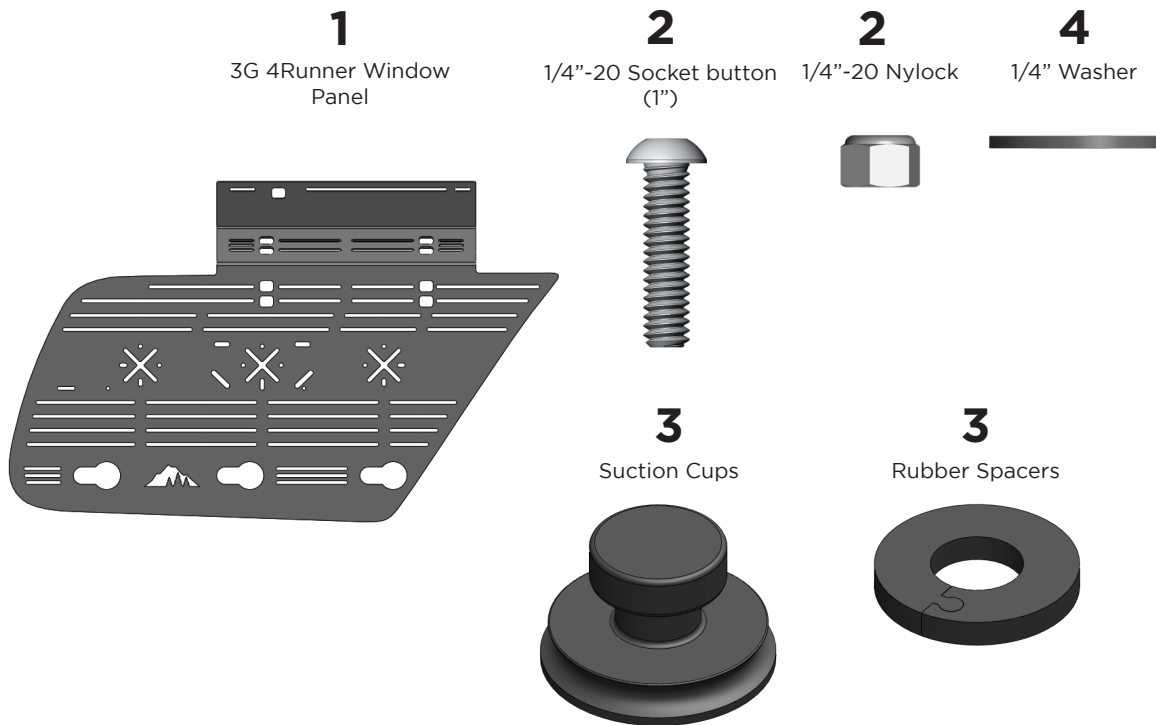


3G 4RUNNER WINDOW PANEL

I N S T A L L I N S T R U C T I O N S

HARDWARE CHECKLIST

Exact hardware color counts may vary based on the options selected at checkout.



BEFORE YOU BEGIN

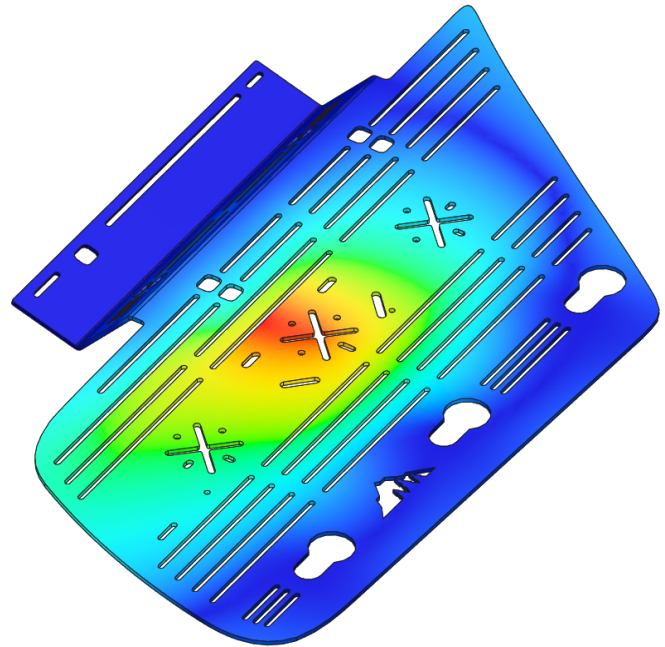
Installing a window panel can be difficult alone. Getting another person to lend a hand on the install can make the process a lot easier. The process outlined in these instructions is what we find to be the most consistent and straightforward method.

Foreword

The 3G 4Runner window panel has been developed with a maximum safe load of 35 lbs. This is the approximate weight of 2x 2 gallon Rotopax, or 1x 4 gallon Rotopax, full of water. It is important that the customer uses good judgement when loading the window panel. If the window panel or any protruding fasteners look close to contacting the glass, consider lowering the weight on the panel.

The window panel will deflect more as the load increases and the condition of the road surface worsens.

These instructions show a PASSENGER side window panel, but the same steps apply for a DRIVER side.

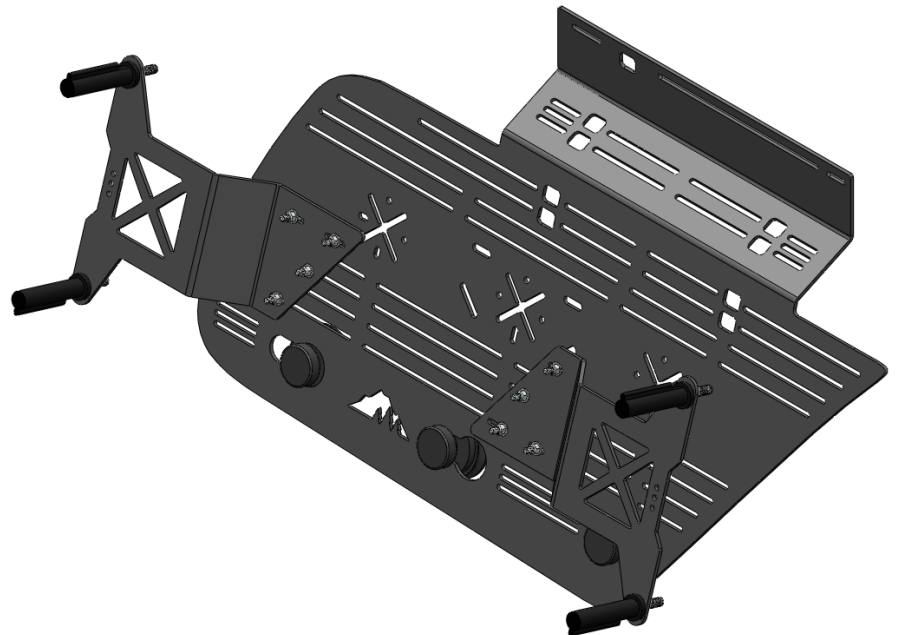


Install 01

It is highly suggested that any accessories that are going to be mounted to the window panel are installed before the window panel is installed on the vehicle. Access to bolts on the backside of the panel becomes limited once installed.

Installation instructions of common accessories are available on the [Sherpa Equipment website](#). As a general rule of thumb, bolts should be ran through the backside of the panel so that the nut and the extra thread face away from the glass.

If a certain size bolt is required that the accessory did not come with, Sherpa offers an assortment of hardware that should work. Contact us if you need assistance.



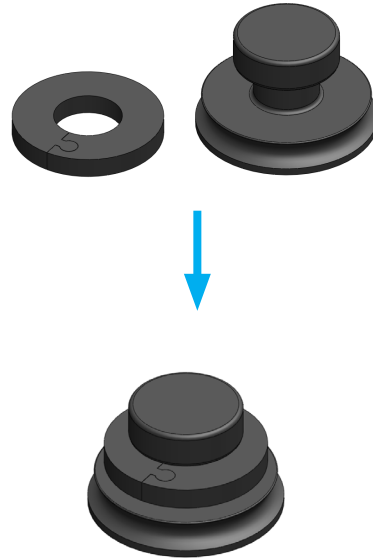
Install 02

Required Components:

- 3 Suction cup
- 3 Rubber spacer

Split the rubber spacer (donut) up by separating the two ends and wrapping it around the neck of the suction cup.

Repeat for the other two suction cups.

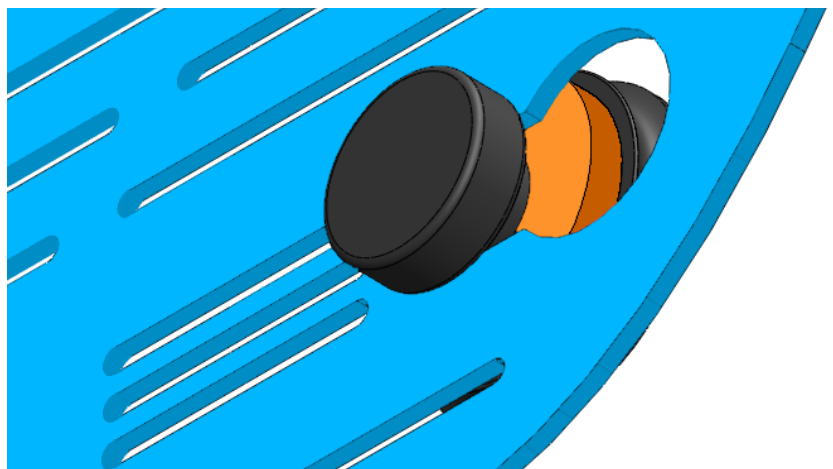
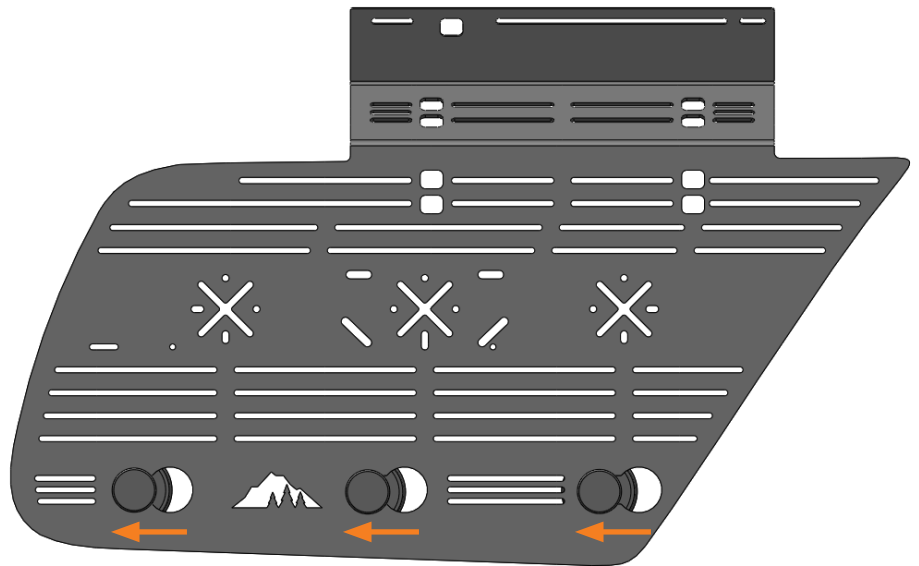


Install 03

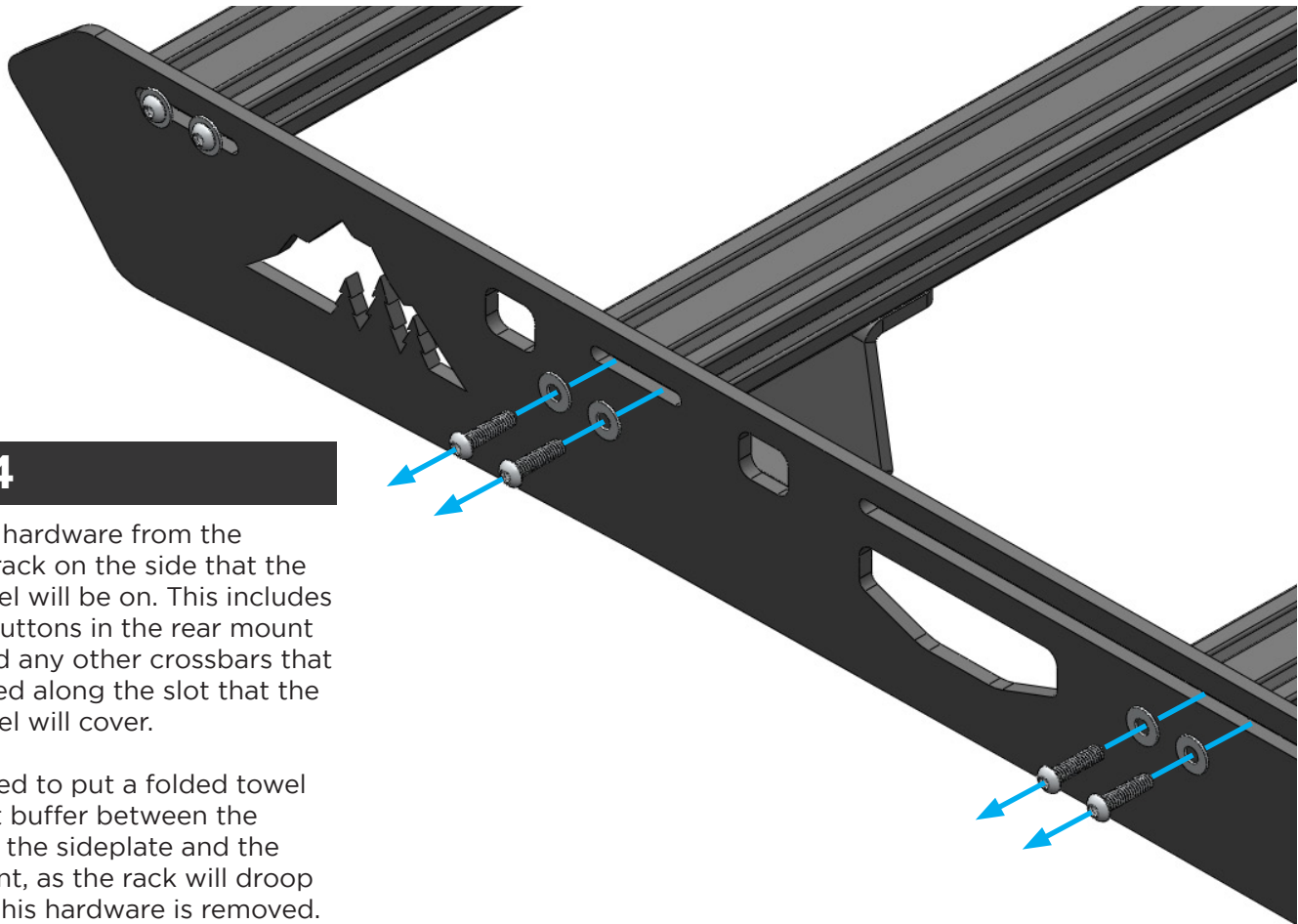
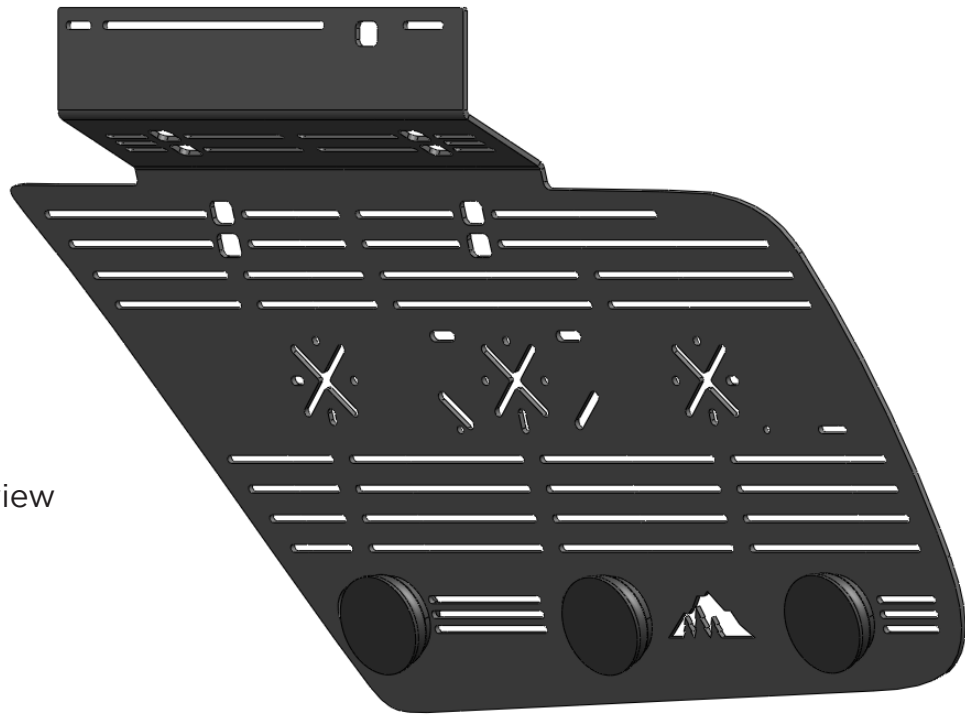
Insert the handle of the suction cup through the back side of the window panel in the circular cutouts along the bottom of the panel. Slide the suction cup back into the smaller portion of the slot.

Do this for all three suction cups.

Note that the **rubber spacer** sits between the **window panel** and the suction cup. When installed correctly, only the handle of the suction cup should sit on the front face of the window panel.



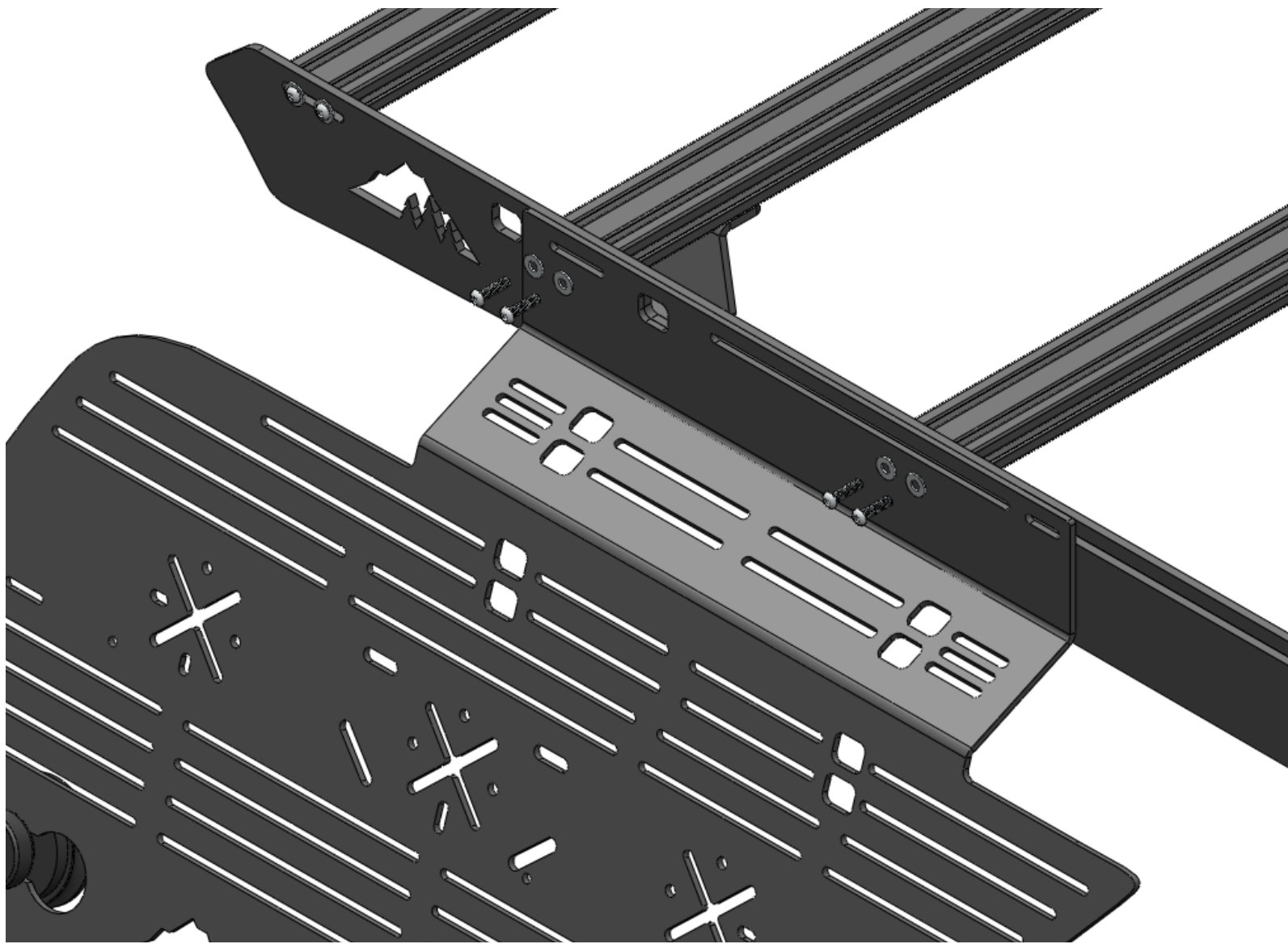
Back view



Install 04

Remove the hardware from the Matterhorn rack on the side that the window panel will be on. This includes the socket buttons in the rear mount crossbar, and any other crossbars that are positioned along the slot that the window panel will cover.

It is suggested to put a folded towel or other soft buffer between the rear edge of the sideplate and the vehicle's paint, as the rack will droop down once this hardware is removed. Having another person to hold the sideplate up is the best option.



Install 05

Wipe down the glass of the window with soap and water to improve the adhesion of the suction cups.

Line the window panel up with the rear window and the sideplate. The slots and tie-down point in the window panel should match the same slots in the sideplate. Once in position, compress the suction cups into the window to help support the window panel.

Reinstall the 1/4"-20 x 1" socket buttons removed from the Matterhorn crossbars that were removed in step 04. Fine adjustment may be necessary to ensure proper fit of the window panel. Because all Matterhorn installations may be slightly different from each other, the window panel features may not line up exactly with the sideplate features.

Install 06

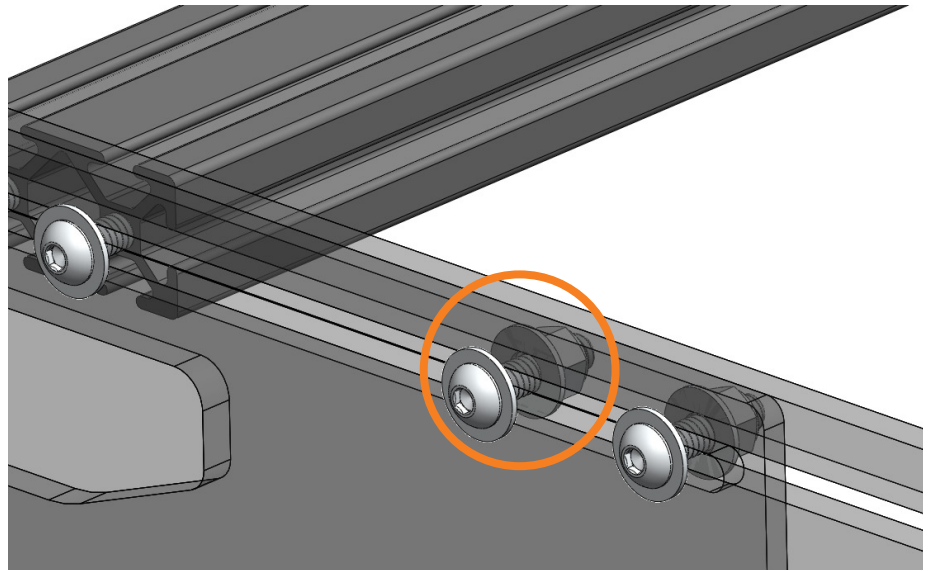
Required Components:

2 1/4"-20 x 1" Socket Button

2 1/4"-20 Nylock nut

4 1/4" Flat washer

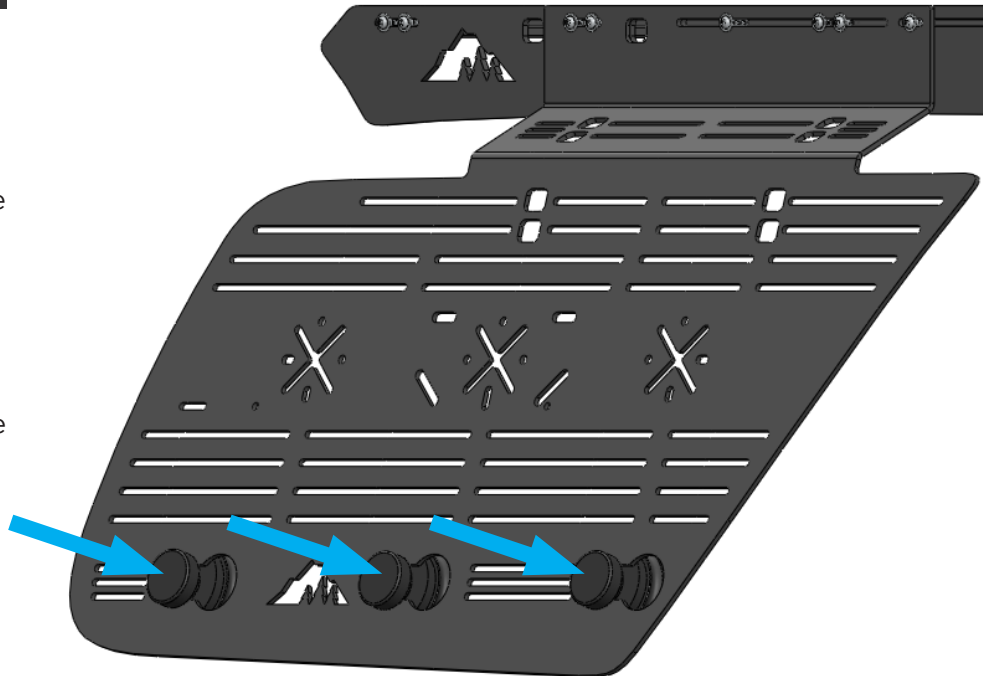
Install the supplied 1" socket buttons, nylock nuts, and flat washers along the remaining length of the shared slot. Space them out evenly for optimal distribution of the load. The addition of these bolts are just to support the window panel.



Install 07

If the suction cups have become detached during the install process, re-apply pressure on the handles to get them to stick. They should not come off with a tug on the lower edge of the window panel. If they do, wipe the window and suction cup surfaces down with soap and water.

Please note that if your adventure results in a substantial altitude change, the suction cups may become detached (if traveling from low altitude to high altitude) due to a pressure difference. The suction cups should not fall out, but may need to be repositioned and pressed down. Periodically checking that the suction cups are tight to the window is suggested, and is as simple as giving a tug on the panel when you're filling up with gas.

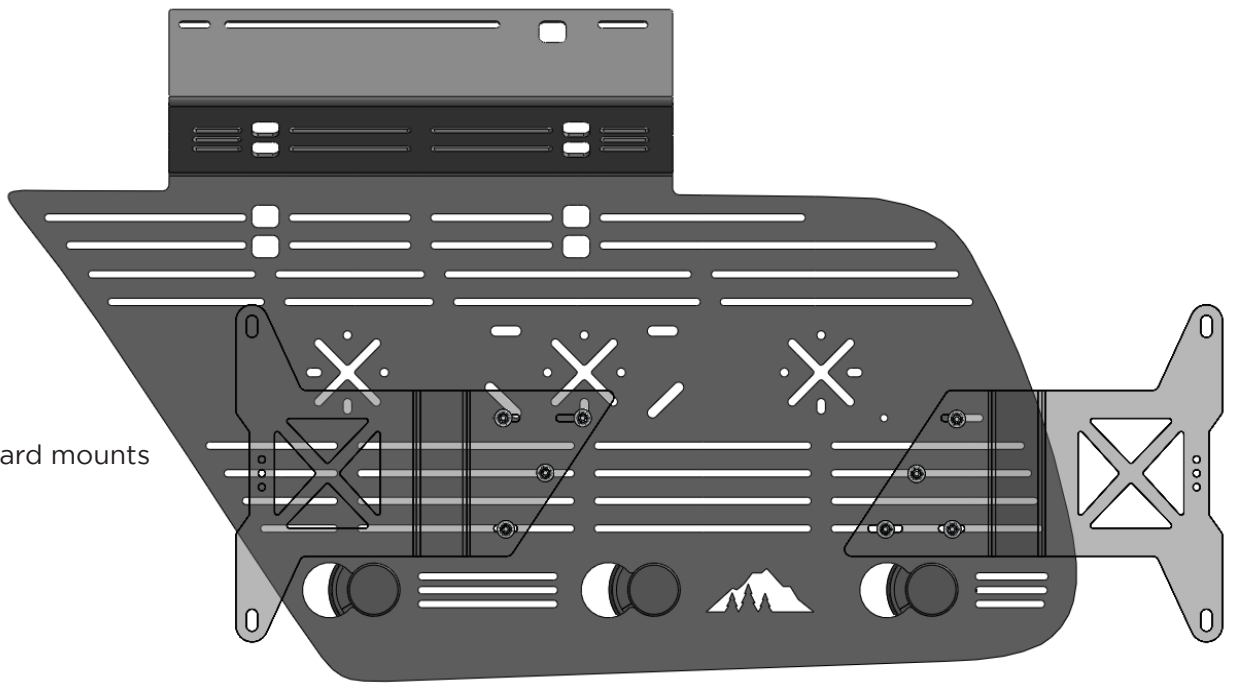


Accessories

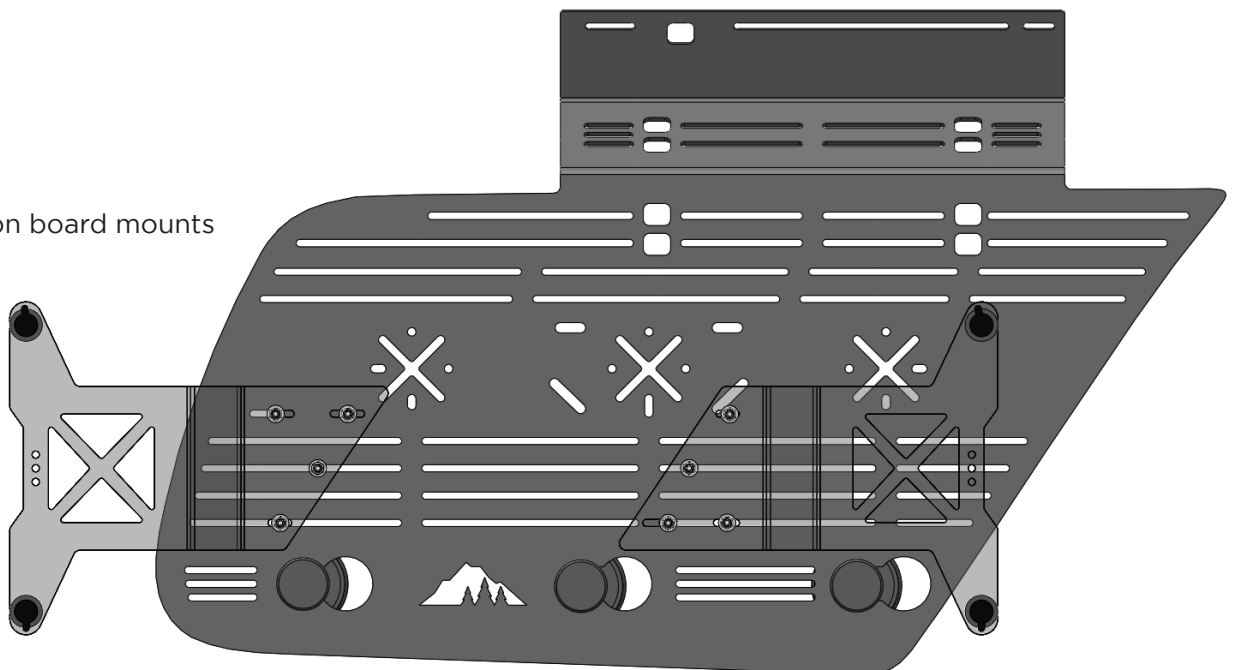
Accommodations for common accessories have been integrated into the design of the window panel. Below are some diagrams of common accessory configurations. Remember to stay within the 35lb maximum load and be mindful of the fasteners and their proximity to the glass.

Install instructions for common accessories are available on the Sherpa Equipment website.

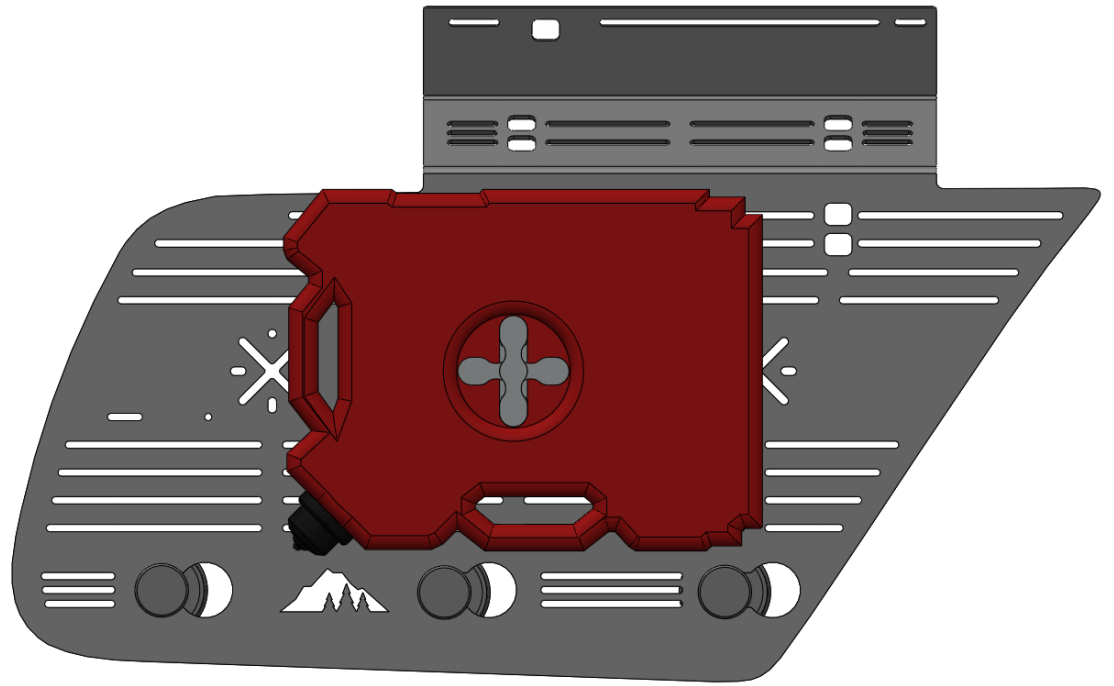
Driver side traction board mounts



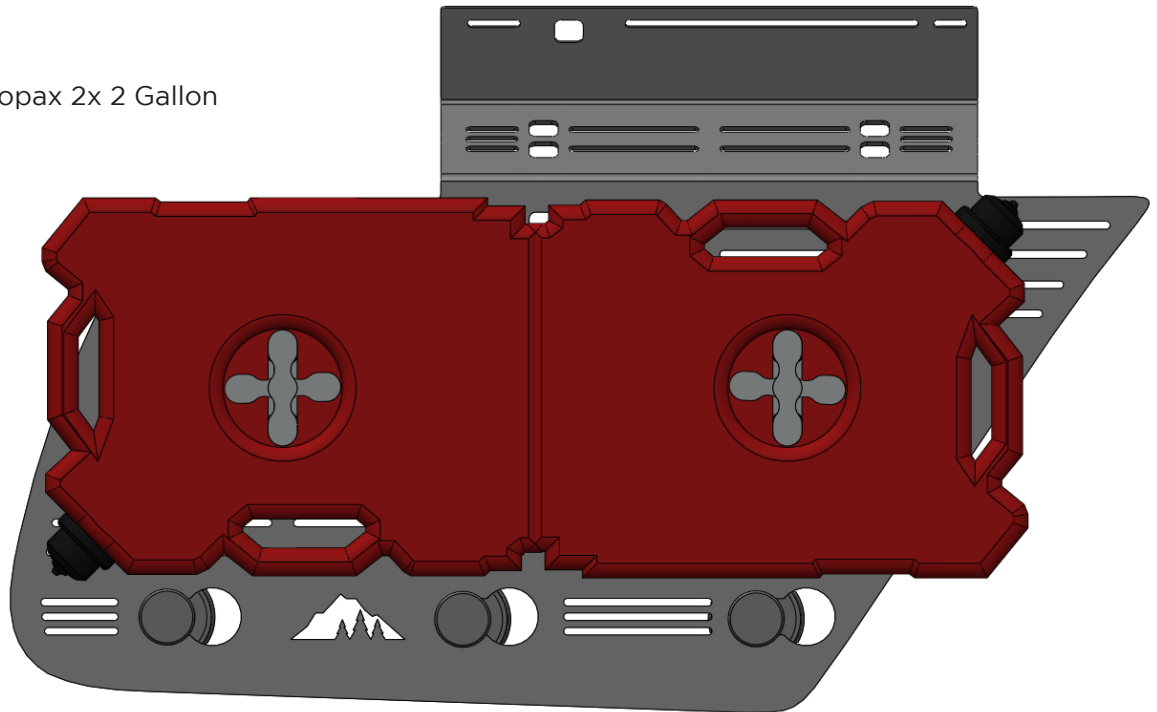
Passenger side traction board mounts



Rotopax 2 Gallon



Rotopax 4 Gallon / Rotopax 2x 2 Gallon





EXPLORE.

All products built and designed by Sherpa Equipment Company are intended for off-road use and should be assembled, installed, and used according to Sherpa Equipment Company's recommendations. Sherpa Equipment Company's products should be used safely with good judgment towards others and surroundings.

By installing Sherpa Equipment Company's products on your vehicle you assume all liability. Sherpa Equipment Company will not be held liable for damages or loss associated with the installation or use of its products. It is recommended that you inspect your roof rack within the first 100 miles of installation and every 500 miles after.