

# Assembly Instruction

## ALUMINIUM SELF TILT MARKET PATIO UMBRELLA



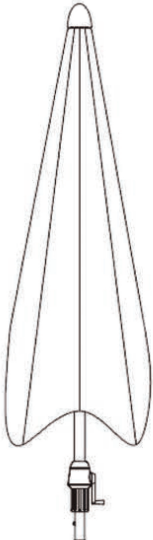

Carefully unpack and identify each component before beginning assembly. Before you begin, please refer to parts list to make sure that you have all parts. Please take care when assembling the unit and always place the parts on a clean, soft surface. If you require assistance with assembly or parts, please call 888-357-7263.

## PRE-ASSEMBLY PREPARATION

**WARNING!** DO NOT LET CHILDREN PLAY IN OR AROUND THE UNIT DUE TO THE POSSIBLE RISK OF FINGER ENTRAPMENT

- Please read through this instruction before beginning assembly.
- Two adults assembly is recommended.
- Clear out the space for assembly and lay out all parts base on Parts List, extra room will allow you to easily determine if all the pieces are present.
- Save all packing materials until assembly is complete to avoid accidentally discarding smaller parts or hardware.
- Keep small parts and pieces away from children until fully assembly.
- **Do not fully tighten the bolts until all have been inserted and hand tightened.**
- Please check for any loose screws and tighten them before use.

## PANEL AND FITTINGS IDENTIFICATION

<p>Upper part (A)</p>  <p>Qty: 1</p>	<p>Lower pole (B)</p>  <p>Qty: 1</p>		
--	--	--	--

## Step 1

Take out upper and lower part from the box. Press the button, insert lower pole into upper pole.

Note: Do not throw away the package until you find the Lower Pole!



---

## Step 2

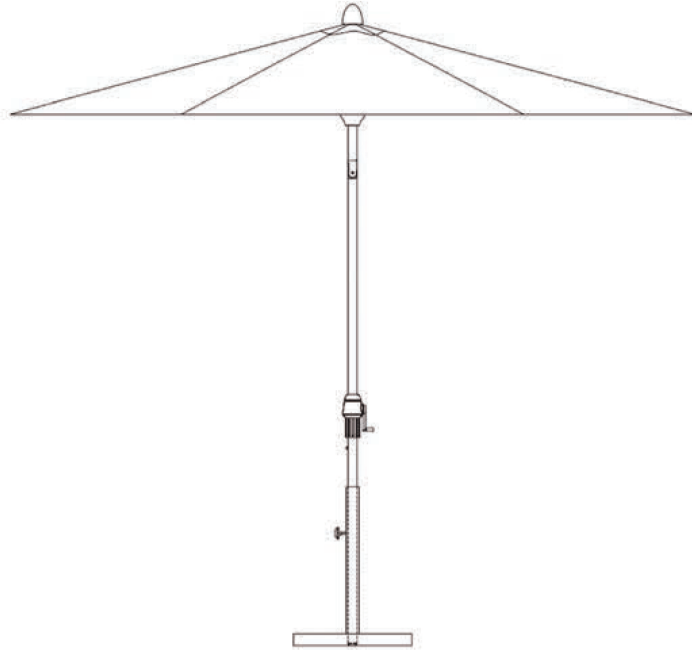
Fix the umbrella with your umbrella base.

Note: Umbrella base not included.



Step 3

Untie the band, crank handle to make the umbrella open.



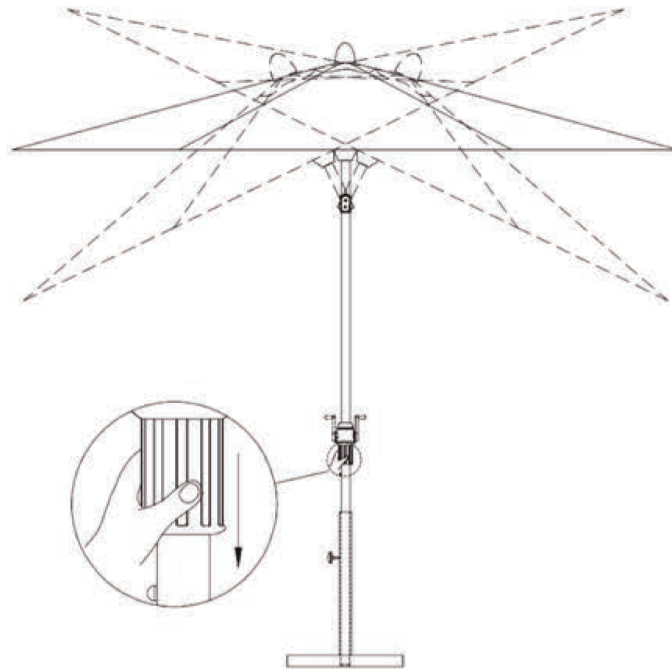
Step 4

Keep cranking, the umbrella will tilt automatically.



## Step 5

Pull down the lower rotating handle, rotate the upper rotating handle, to switch shading direction.



## Step 6

Turn the crank handle anticlockwise to close umbrella.

Note: Do not overexert hand crank after umbrella is closed completely, otherwise the umbrella may be damaged.



## CARE AND MAINTENANCE

- Clean umbrella with a damp cloth after use.
- Do not scratch product with sharp tools.
- When umbrella is not in use, please close and tie it. When umbrella is not in use for a long time, store it in a carton box.
- Close umbrella if external wind force reaches up to 10.7m/s.
- All the screws in the product should be locked completely.
- Please make sure no obstacles are around within a 4m area or 5m height area when in use, otherwise the product may be damaged.

