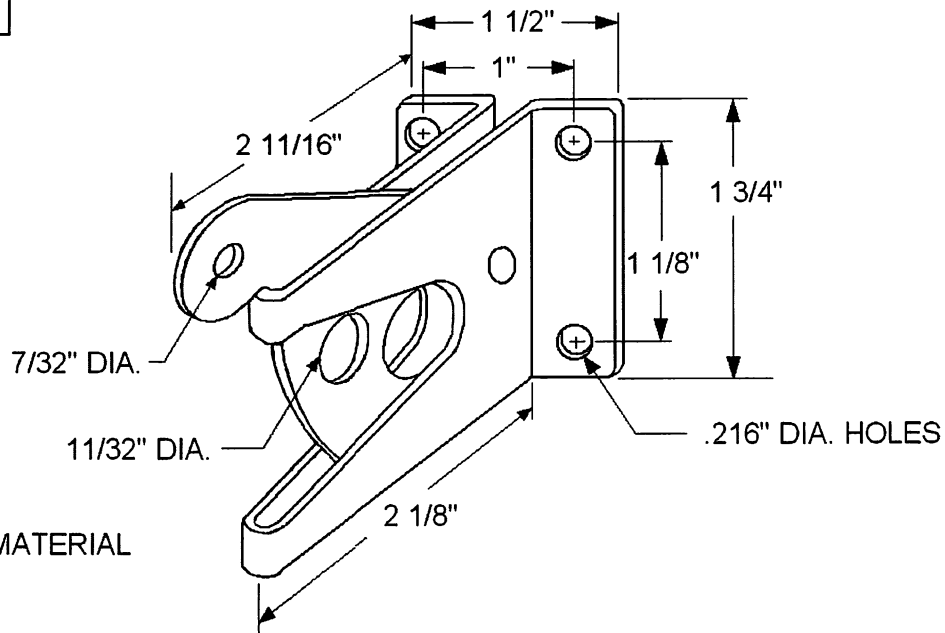



DIA. T-304 (18-8)
S.S. BAR STOCK



SATIN FINISH
BODY & CATCH 12 GA. (.100") MATERIAL
304 (18-8) STAINLESS STEEL

 JEFECO MFG INC FT. LAUDERDALE, FL PH 954-527-4220 FAX 954-527-4229	MATERIAL: STAINLESS STEEL	MATERIAL ALLOY: 304	FINISH: SATIN	DATE: 4-7-16	DWG. BY: SPK
	REVISIONS:	TOLERANCES: +/- .015"	DESC: GLSS 100 GATE LATCH		COMPANY: JEFECO MFG. INC.

APPROVED BY: