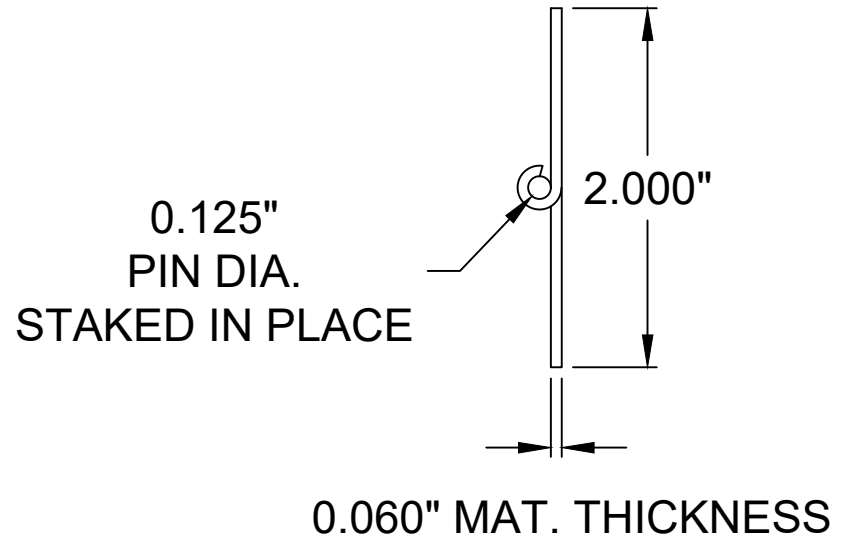


NOTES

- (T-302) STAINLESS STEEL
- .060" 1/16" MATERIAL THICKNESS
- ELECTRO POLISHED FINISH
- HOLES COUNTERSUNK FOR #8 SCREWS
- 0.125" PIN DIA STAKED IN PLACE



APPROVED BY
SIGN
PRINT



JEFCO MFG INC
 FT. LAUDERDALE
 PH 954-527-4220
 WWW.JEFCOMFG.COM

MATERIAL: Stainless Steel
REVISIONS:

MATERIAL ALLOY: T-302
TOLERANCES: <small>STANDARD DIE CUT EDGES. ALL DIMENSIONS TO BE HELD TO +/- .015". NOTE ALL PRODUCTS ARE QUOTED USING STANDARD MILL GAGE MATERIAL. DO NOT SCALE</small>

FINISH: Electro-Polished	DATE: 03/29/2023	DWG BY: AK
DESC: SSB-60200-300 HC		
COMPANY: JEFCO MFG INC	NO: 10075	