

PORTABLE TYPE EYE WASHER P150

Self-contained 9-gallon gravity flow eyewash unit uses gravity to deliver water through dual spray heads. The unit delivers over six gallons (22.5liters) of water for fifteen minutes, and is ideal for use where a continuous supply of potable water is not available, especially in remote plant areas, low traffic and/or low hazard areas.

Style : PORTABLE TYPE EYE WASHER, MODEL: P150
Brand : MATSUDA
Mfr. : PPE ONLINE

Features: Self-contained 9-gallon gravity flow eyewash unit uses gravity to deliver water through dual spray heads. The unit delivers over six gallons (22.5L) of water for 15minutes.

Tank: 9gallon capacity safety yellow polyethylene tank. Tank has handles on top and side to allow for easy handling. A wide-fill opening with a threaded cap permits easy inspection, cleaning, and filling.

Operation: Water flow is activated by pulling down the yellow eyewash tray. Integral full flow nozzles deliver soft spray of water. Swing tray up to a storage position to stop the flow.

Drain: Wastewater is directed to discharge into the floor drain. A storage tank or other receptor could be used to collect waste water to avoid pollution (not included).

Mounting: Stainless steel bracket for a mounting unit on the wall. The unit can also be placed on a countertop or other flat surfaces.

Discharge time: 15 minutes (minimum) at the flow rate of 1.5L /minute (minimum).

Applications: Ideal for use where a continuous supply of potable water is not available, especially in remote plant areas, low traffic and/or low hazard areas.

Certification: EN 15154-4:2009.



Portable Type Eye Washer
Model: P150
M339670821

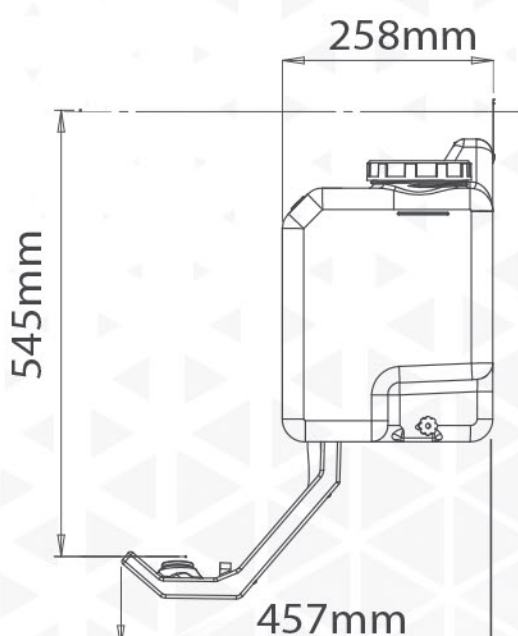
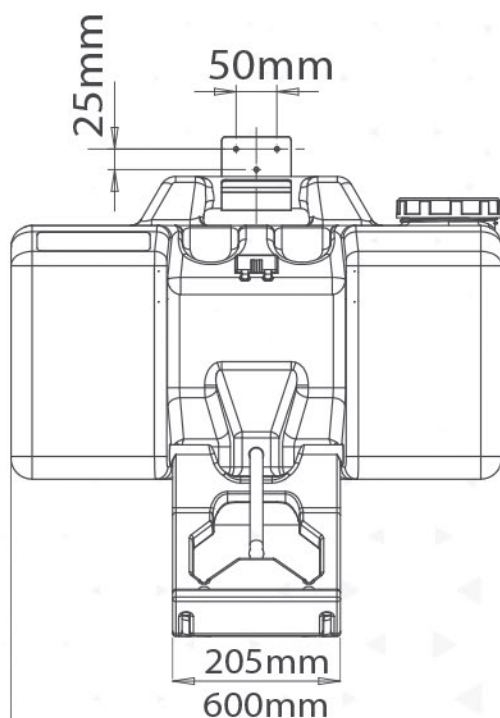
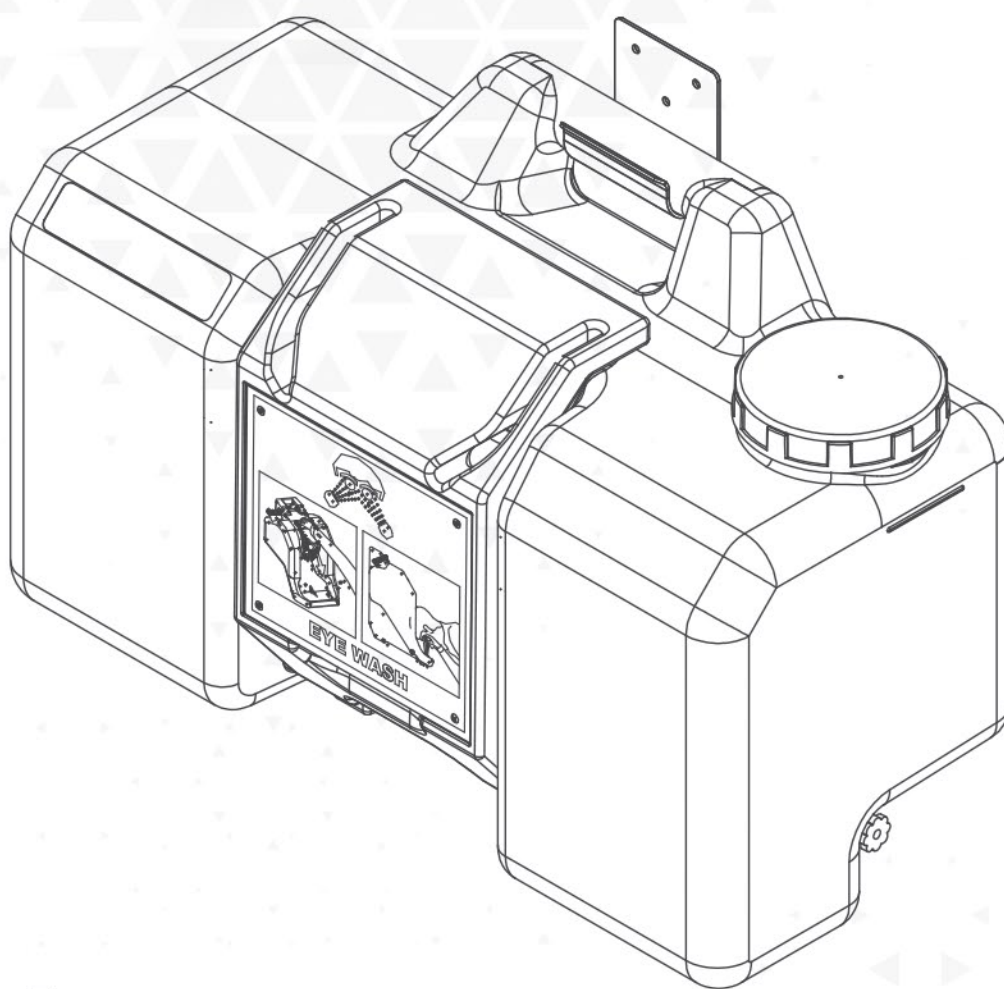
Packaging/ Packet	Packing/ Carton	Origin	Net Weight/ Carton (Kg.)	Gross Weight/ Carton (Kg.)	Carton Dimensions L x W x H (cm)	CBM Per Carton	HS Code
1 Piece	1 Packet	China	4.7kgs	5.6kgs	61 x 27 x 38cms	0.0626	84818090

For Sales & Distributorship Enquiries: info.ppe@ppe-online.com | +971 04 28 28 622 | www.ppe-online.com

All rights reserved. All content (texts, trade marks, illustrations, photos, files, designs, arrangements etc) protected by copyright and other Protective laws. The contents of this document are to be used only in accordance with Internet regulations as per PPE SAFETY PRODUCTS TRADING LLC (Brand: PPE ONLINE). Doc Ref: PPE/MAR/EFP-0920-1.0.

Protecting People Everywhere

P150
Design Specifications



For Sales & Distributorship Enquiries: info.ppe@ppe-online.com | +971 04 28 28 622 | www.ppe-online.com

All rights reserved. All content (texts, trade marks, illustrations, photos, files, designs, arrangements etc) protected by copyright and other Protective laws. The contents of this document are to be used only in accordance with Internet regulations as per PPE SAFETY PRODUCTS TRADING LLC (Brand: PPE ONLINE). Doc Ref: PPE/MAR/EFP-0920-1.0.

Protecting People Everywhere