

PORTABLE TYPE EYE WASHER P100

Self-contained 16-gallon gravity flow eyewash unit uses gravity to deliver water through dual spray heads. The unit delivers over seven gallons (26liters) of water for fifteen minutes, and is ideal for use where a continuous supply of potable water is not available, especially in remote plant areas, low traffic and/or low hazard areas.

Style : PORTABLE TYPE EYE WASHER, MODEL: P100
Brand : MATSUDA
Mfr. : PPE ONLINE

Features: Self-contained 16-gallon gravity flow eyewash unit uses gravity to deliver water through dual spray heads. The unit delivers over seven gallons (26L) of water for 15minutes.

Tank: 16gallon capacity safety yellow polyethylene tank. Tank has handles on top and side to allow for easy handling. A wide-fill opening with a threaded cap permits easy inspection, cleaning, and filling.

Operation: Water flow is activated by pulling down the yellow eyewash tray. Integral full flow nozzles deliver soft spray of water. Swing tray up to a storage position to stop the flow.

Drain: Wastewater is directed into the drain opening in the tank basin. 3ft long drain hose in basin directs discharge into a floor drain, storage tank, or other receptors.

Mounting: Stainless steel bracket for a mounting unit on the wall. The unit can also be placed on a countertop or other flat surfaces.

Discharge time: 15 minutes (minimum) at the flow rate of 1.5L /minute (minimum).

Applications: Ideal for use where a continuous supply of potable water is not available, especially in remote plant areas, low traffic and/or low hazard areas.

Certification: EN 15154-4:2009.



Portable Type Eye Washer,
Model: P100
M339670820

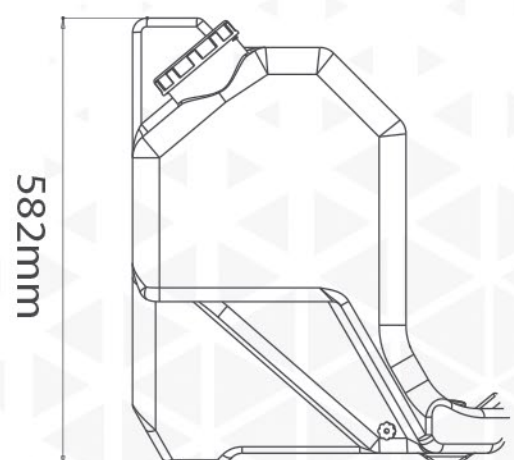
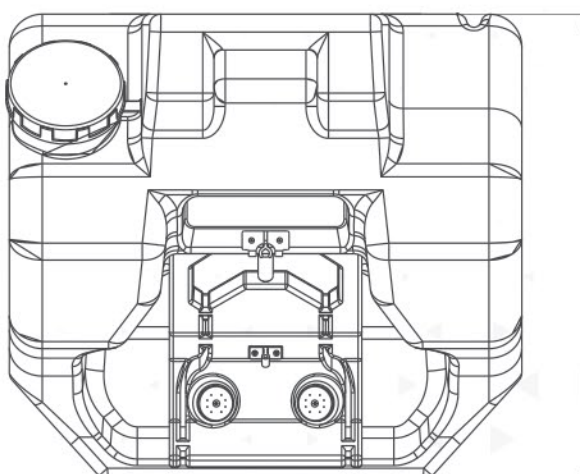
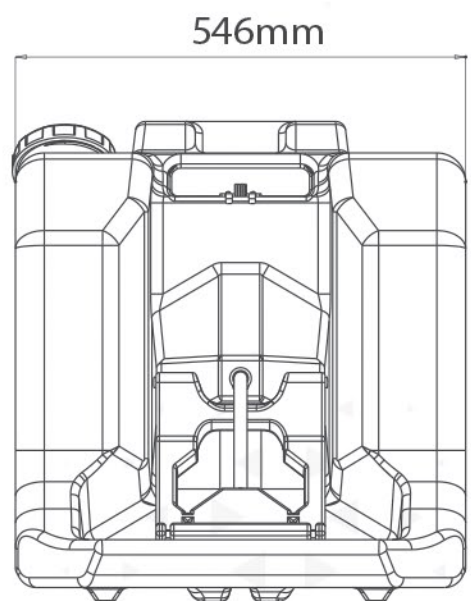
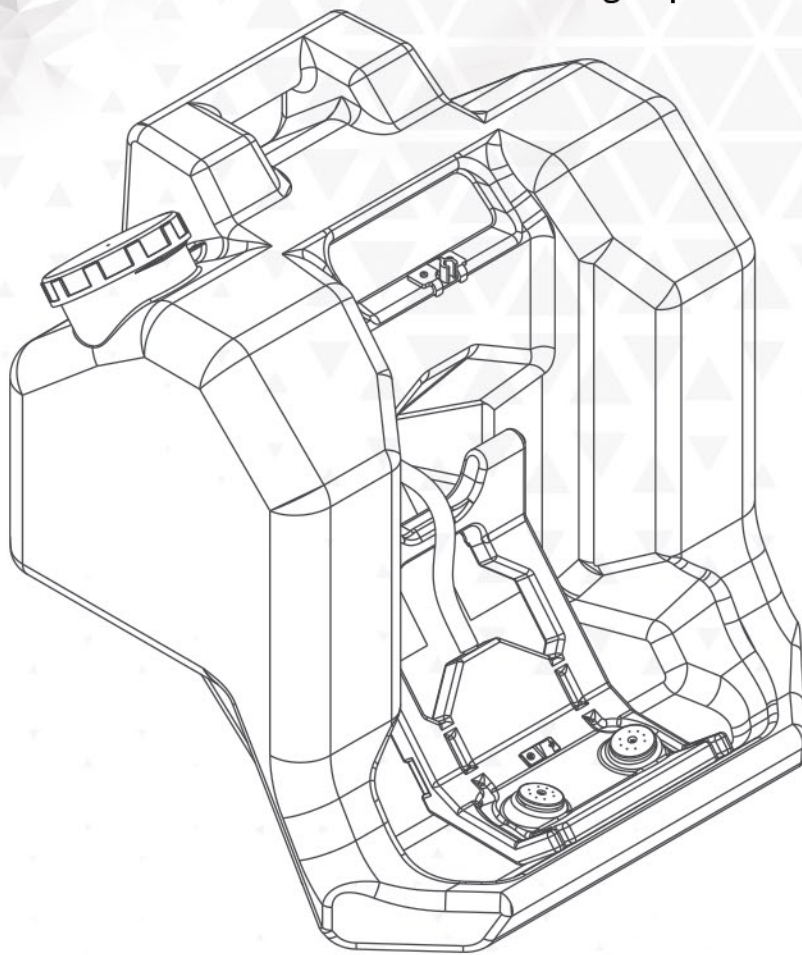
Packaging/ Packet	Packing/ Carton	Origin	Net Weight/ Carton (Kg.)	Gross Weight/ Carton (Kg.)	Carton Dimensions L x W x H (cm)	CBM Per Carton	HS Code
1 Piece	1 Packet	China	7.8kgs	10.5kgs	55 x 52.5 x 60cms	0.1733	84818090

For Sales & Distributorship Enquiries: info.ppe@ppe-online.com | +971 04 28 28 622 | www.ppe-online.com

All rights reserved. All content (texts, trade marks, illustrations, photos, files, designs, arrangements etc) protected by copyright and other Protective laws. The contents of this document are to be used only in accordance with Internet regulations as per PPE SAFETY PRODUCTS TRADING LLC (Brand: PPE ONLINE). Doc Ref: PPE/MAR/EFP-0920-1.0.

**Protecting People
Everywhere**

**P100
Design Specifications**



For Sales & Distributorship Enquiries: info.ppe@ppe-online.com | +971 04 28 28 622 | www.ppe-online.com

All rights reserved. All content (texts, trade marks, illustrations, photos, files, designs, arrangements etc) protected by copyright and other Protective laws. The contents of this document are to be used only in accordance with Internet regulations as per PPE SAFETY PRODUCTS TRADING LLC (Brand: PPE ONLINE). Doc Ref: PPE/MAR/EFP-0920-1.0.

**Protecting People
Everywhere**