



**WALL MOUNTED EYE WASHER GI-B100**

Matsuda eye washer is designed for easy assembly in the field. Wall mounted eye washer is used in rushing to deal with an emergency, quickly cleaning the deleterious material attached to the eyes. 0.2-0.8Mpa flow pressure, 0.9Mpa maximum static pressure.

Style : WALL MOUNTED EYE WASHER GI MODEL: B100  
Brand : MATSUDA  
Mfr. : PPE ONLINE



**Features:** Controlled, low velocity flow completely rinses eyes and face is not injurious to user. Eye washer unit deliver 11L of water per minute. Protect spray heads from airborne contaminants. Valve actuator are easy to locate and readily accessible to user. Hands-free stay open valve activate within one second. Connect unit to uninterrupted water supply delivering at 3gpm.

**Spray Head Assembly:** Two spray heads. Each head has a dust cover, internal flow control, and filter to remove impurities from the water flow.

**Valve:** 1/2" Stainless steel stay-open ball valve. The valve is activated by a flag handle or foot treadle. The unit remains in operation until the handle is returned to the closed position.

**Eye Wash Bowl:** 11-1/2" diameter. Bowl is ABS plastic.

**Supply:** 1/2" NPT male inlet.

**Waste:** 1-1/4" NPT female outlet.

**Applications:** Wall mounted eye washer is using in rushing to deal with an emergency, quickly cleaning the deleterious material attached to the eyes.

**Certification:** EN 15154-1:2006  
EN 15154-2:2006.



Wall Mounted Eye Washer  
GI Model: B100  
M339670922

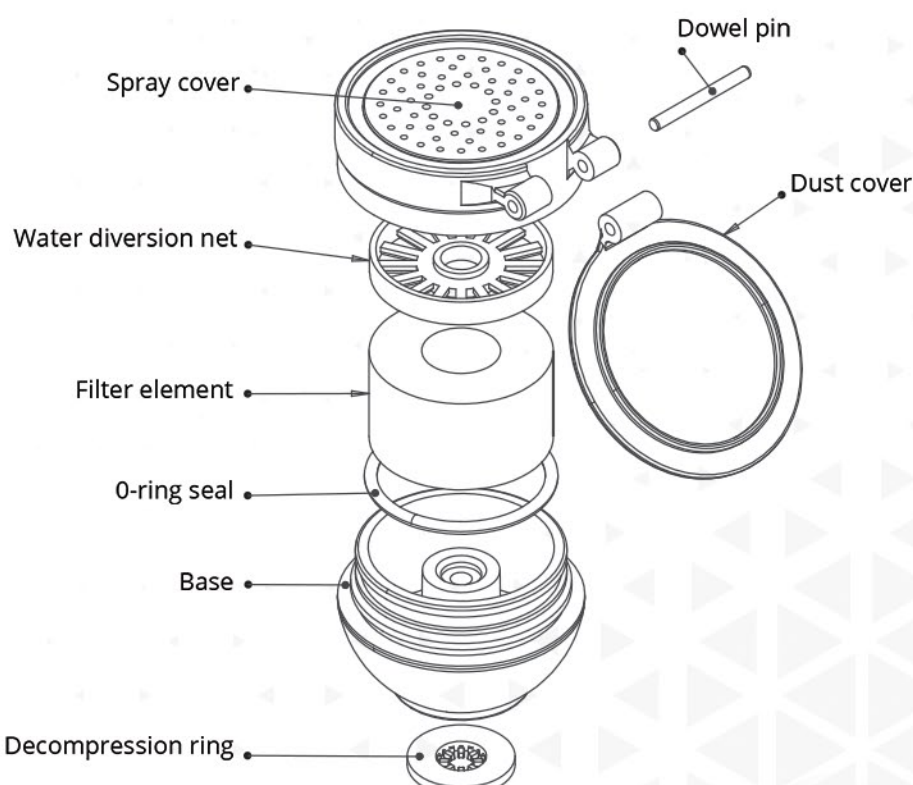
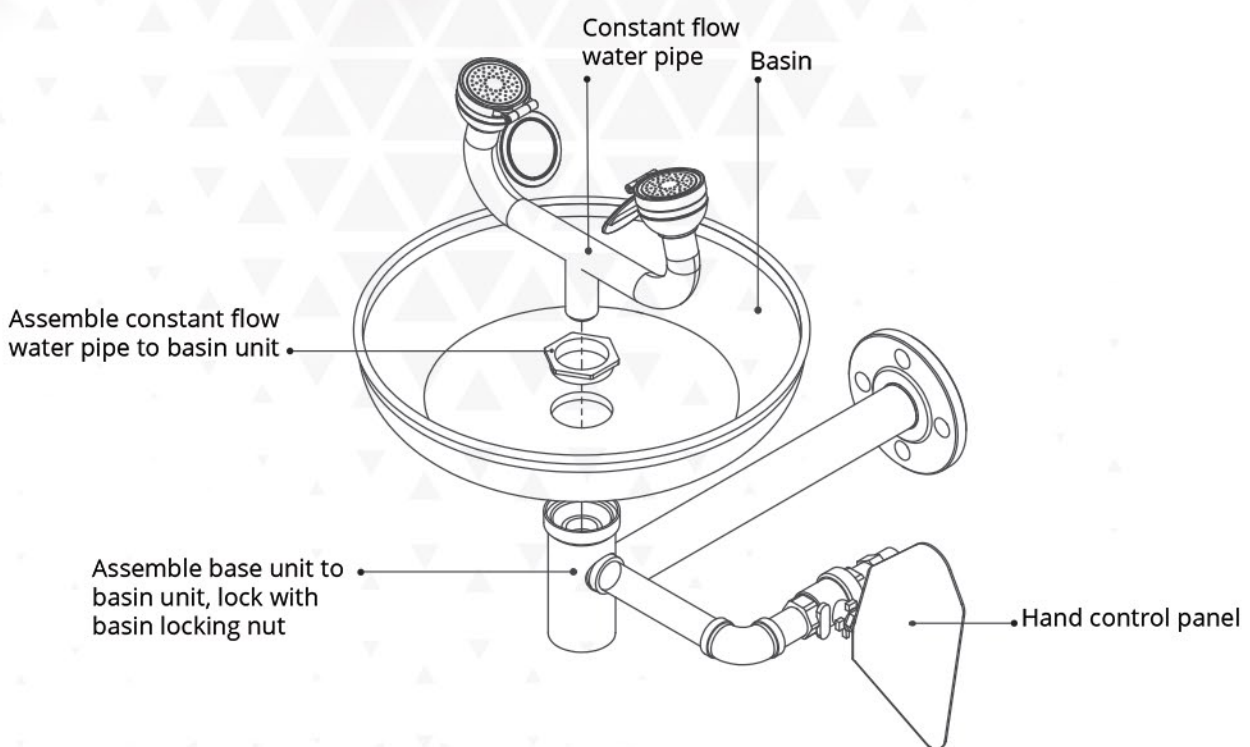
Packaging/ Packet	Packing/ Carton	Origin	Net Weight/ Carton (Kg.)	Gross Weight/ Carton (Kg.)	Carton Dimensions L x W x H (cm)	CBM Per Carton	HS Code
1 Piece	1 Packet	China	4.2kgs	5.2kgs	52 x 30 x 28cms	0.0437	84818090

For Sales & Distributorship Enquiries: [info.ppe@ppe-online.com](mailto:info.ppe@ppe-online.com) | +971 04 28 28 622 | [www.ppe-online.com](http://www.ppe-online.com)

All rights reserved. All content (texts, trade marks, illustrations, photos, files, designs, arrangements etc) protected by copyright and other Protective laws. The contents of this document are to be used only in accordance with Internet regulations as per PPE SAFETY PRODUCTS TRADING LLC (Brand: PPE ONLINE). Doc Ref: PPE/MAR/EFP-0920-1.0.

**Protecting People Everywhere**

**GI-B100**  
Assembly & Design Specifications



For Sales & Distributorship Enquiries: [info.ppe@ppe-online.com](mailto:info.ppe@ppe-online.com) | +971 04 28 28 622 | [www.ppe-online.com](http://www.ppe-online.com)

All rights reserved. All content (texts, trade marks, illustrations, photos, files, designs, arrangements etc) protected by copyright and other Protective laws. The contents of this document are to be used only in accordance with Internet regulations as per PPE SAFETY PRODUCTS TRADING LLC (Brand: PPE ONLINE). Doc Ref: PPE/MAR/EFP-0920-1.0.

**Protecting People Everywhere**