



WARNING: When using Sloggn Base Deck and accessories, the user must understand the precautions. The points listed below will assist you in using the rack system and will encourage safety.

- For quality fits and safety, use only the recommended Sloggn Gear rack or accessories.
- The maximum load specified in the assembly instructions is not to be exceeded. However, this limit is always subordinate to the maximum load recommended by the manufacturer of the car itself. It is always the lower maximum recommended load that applies. Max load = load carrier weight + any fitted carrier accessories + the weight of the load itself.
- Make sure all knobs, bolts, screws, straps, and locks are firmly attached, tightened, and locked before every trip. Knobs, bolts, screws, straps, and locks must be periodically inspected for signs of wear, corrosion, and fatigue. Check your gear at stops during the trip to ensure continued fastening security.
- Check local and state laws governing the projection of objects beyond the perimeter of a vehicle. Be aware of the width, length, and height of your cargo since low clearance branches, bridges, and parking garages can affect the load. All cargo will affect the vehicle's driving behavior. Never drive with any lock, knob, or rack in an open or unlocked position.

- Remove your Sloggn rack and accessories when they are not in use and before entering automatic car washes.
- For the safety of your vehicle and rack system, obey all posted speed limits and traffic cautions. Adapt your speed to the conditions of the road and the load being carried.
- Do not use Sloggn Gear and accessories for purposes other than those for which they were designed. Do not exceed their carrying capacity. Failure to follow these guidelines or the product's instructions will void the warranty.
- All loads must be secured using the provided hardware.
- Use of the carrier is restricted to Class II (and higher), 2" or 1 1/4" receiver hitch.
- Do not allow people to climb, get into, or sit on the carrier at any time.
- Do not use this carrier for transporting people, animals, or flammables.
- Not for off-road use.
- Vehicle taillights must remain visible.
- Contact customer service if you have any questions regarding the operations and limits of Sloggn products. Review all instructions and warranty information carefully.

Parts List:

Images not to scale

(8) 13mm Carriage Bolt, and Lock Nut



13 + 21mm Deck Wrench



(2) Ski Arm Square Washer



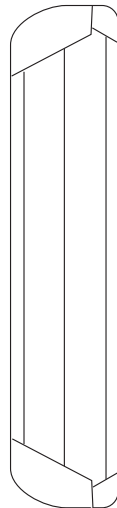
(2) Ski Arm Keys



(2) Pole Bungee & Bolt Set



(2) Ski Arms

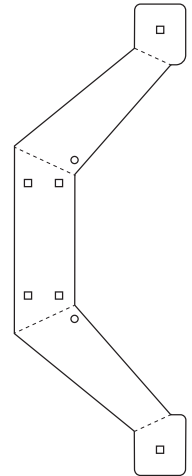
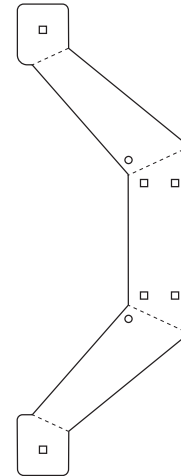


Side View



Bottom View

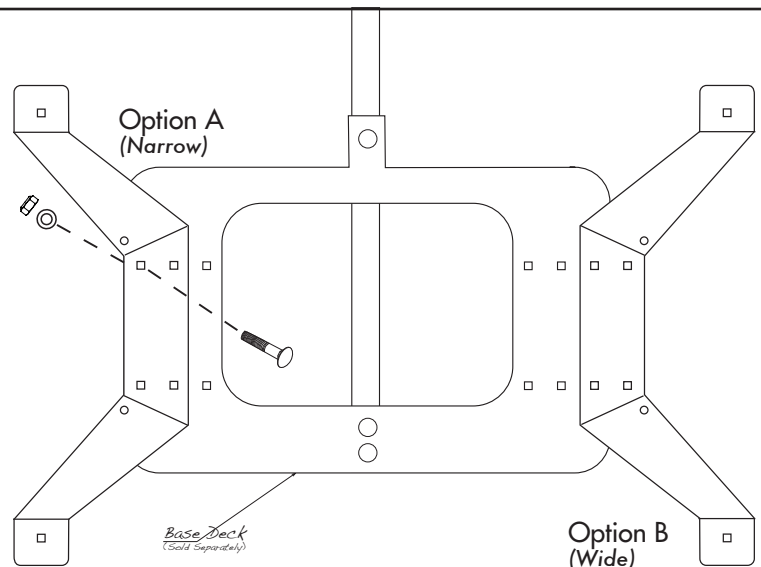
(2) Wing Plates



1 Mount Wing Plates:

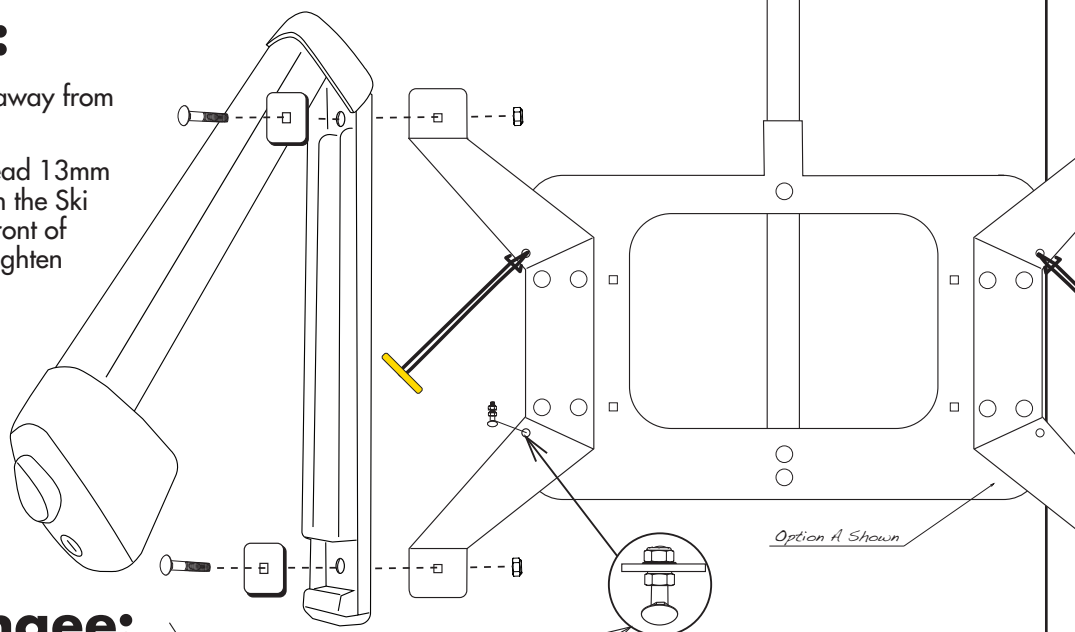
The first step is to mount the Wing Plates to the Base Deck.

- Start with the Base Deck (sold separately) mounted to your vehicle.
- The preferred Wing Plate would be mounted like Option A with four bolts. However if you have a wider binding placement two bolts can be used per side like in Option B.
- Align Wing Plate holes with base deck holes.
- Use Deck Wrench to tighten all four 13 mm bolts and nuts.
- Repeat on other side.



2 Mount Ski Arm:

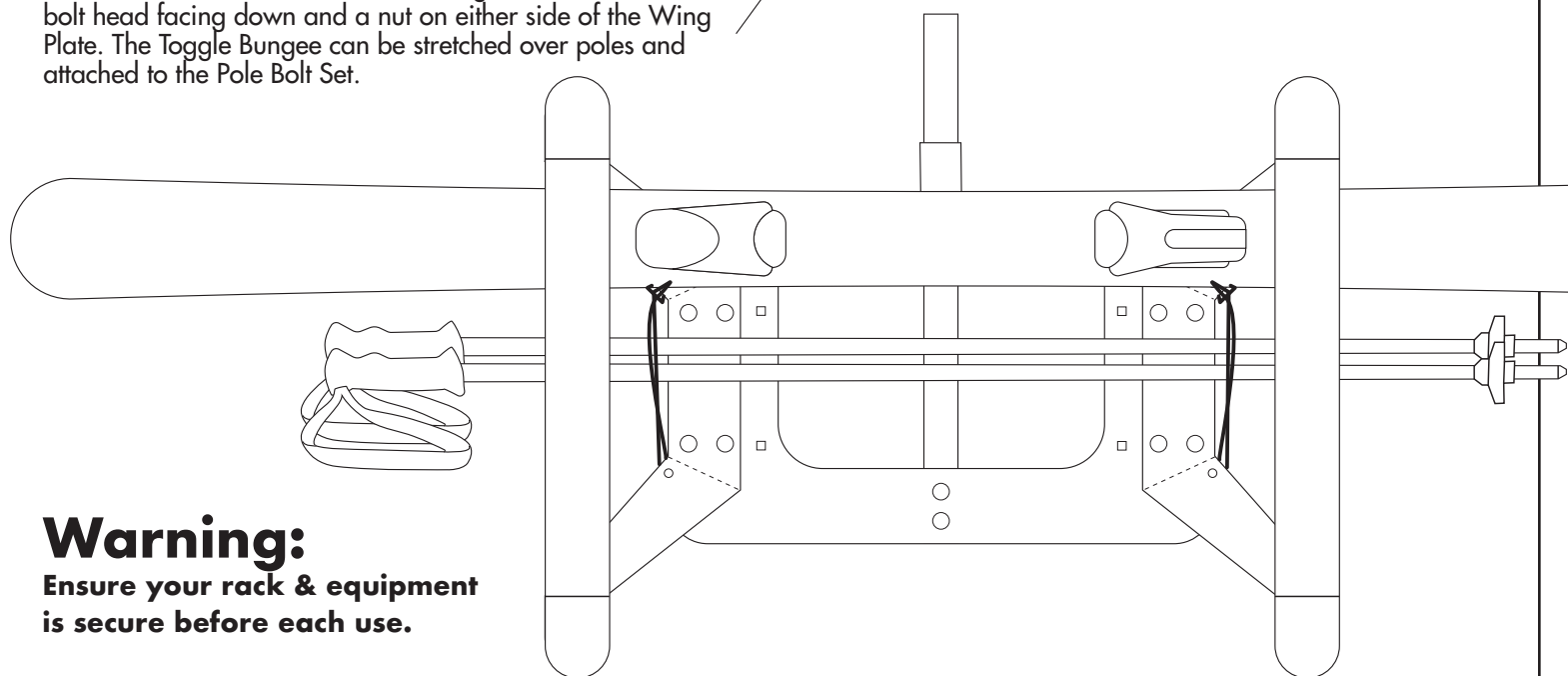
- Open the Ski Arm with the lock facing away from the vehicle.
- Starting at the front of the Ski Arm, thread 13mm bolt through the square washer, through the Ski Arm mounting hole located inside the front of the Arm and through the Wing Plate. Tighten with the 13mm Deck Wrench.
- Repeat at rear of Ski Arm.
- Repeat on other side.



3 Attach Pole Bungee:

The Pole Bungee can be used to secure ski poles to the Deck Plate and Wing Plates.

- Thread the Pole Bungee through rear lower Wing Plate hole and loop through itself. Repeat on other side.
- Attach Pole Bolt Set to front lower Wing Plate hole with the bolt head facing down and a nut on either side of the Wing Plate. The Toggle Bungee can be stretched over poles and attached to the Pole Bolt Set.



Warning:

Ensure your rack & equipment is secure before each use.

NEED HELP? Contact us.

Do not return this product to your retailer, email us!

100% KARE Warranty (Kick Ass Remedy Experience)

We do our best to create the finest gear in the market, however on occasion we don't nail it the first time. For this reason, Sloggn unconditionally guarantees its products against defects in materials, design and craftsmanship for the practical lifetime of the product. If the product just got too much love (you can never get too much love but...) or you abused it in a fit of rage we have a great upgrade, repair and replace programs at a very reasonable rate.

SLOGGN
GEAR

Sloggn Gear LLC] [Burlington, VT USA
(802) 575-6446] [info@sloggn.com

www.SLOGGN.com