



**WARNING:** When using Sloggn Base Deck and accessories, the user must understand the precautions. The points listed below will assist you in using the rack system and will encourage safety.

- For quality fits and safety, use only the recommended Sloggn Gear rack or accessories.
- The maximum load specified in the assembly instructions is not to be exceeded. However, this limit is always subordinate to the maximum load recommended by the manufacturer of the car itself. It is always the lower maximum recommended load that applies. Max load = load carrier weight + any fitted carrier accessories + the weight of the load itself.
- Make sure all knobs, bolts, screws, straps, and locks are firmly attached, tightened, and locked before every trip. Knobs, bolts, screws, straps, and locks must be periodically inspected for signs of wear, corrosion, and fatigue. Check your gear at stops during the trip to ensure continued fastening security.
- Check local and state laws governing the projection of objects beyond the perimeter of a vehicle. Be aware of the width, length, and height of your cargo since low clearance branches, bridges, and parking garages can affect the load. All cargo will affect the vehicle's driving behavior. Never drive with any lock, knob, or rack in an open or unlocked position.

- Remove your Sloggn rack and accessories when they are not in use and before entering automatic car washes.
- For the safety of your vehicle and rack system, obey all posted speed limits and traffic cautions. Adapt your speed to the conditions of the road and the load being carried.
- Do not use Sloggn Gear and accessories for purposes other than those for which they were designed. Do not exceed their carrying capacity. Failure to follow these guidelines or the product's instructions will void the warranty.
- All loads must be secured using the provided hardware.
- Use of the carrier is restricted to Class II (and higher), 2" or 1 1/4" receiver hitch.
- Do not allow people to climb, get into, or sit on the carrier at any time.
- Do not use this carrier for transporting people, animals, or flammables.
- Not for off-road use.
- Vehicle taillights must remain visible.
- Contact customer service if you have any questions regarding the operations and limits of Sloggn products. Review all instructions and warranty information carefully.

## Parts List:

Images not to scale

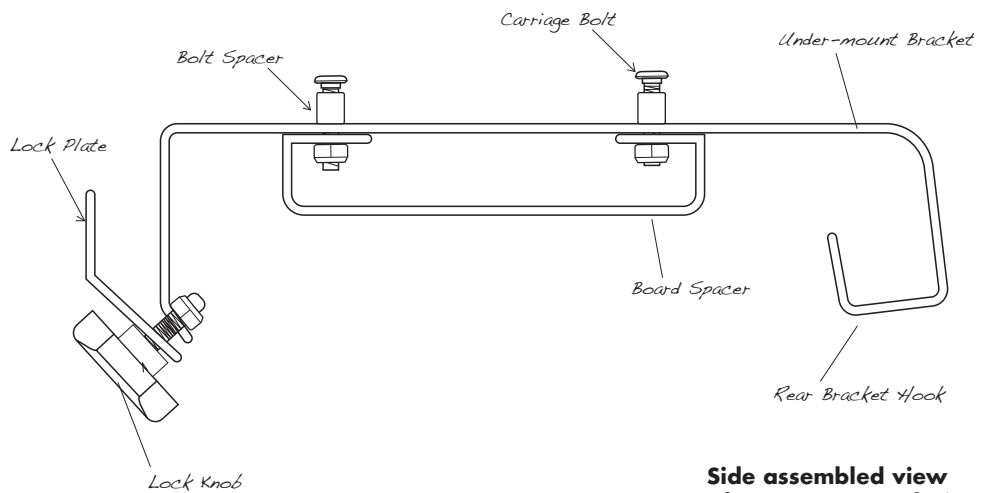
(Qty 4) 13mm Carriage Bolt, Washer & Lock Nut

(Qty 4) 15mm Bolt Spacers

(Qty 2) Under-mount Bracket

(Qty 2) Board Spacers

(Qty 2) Lock Knob & Plates

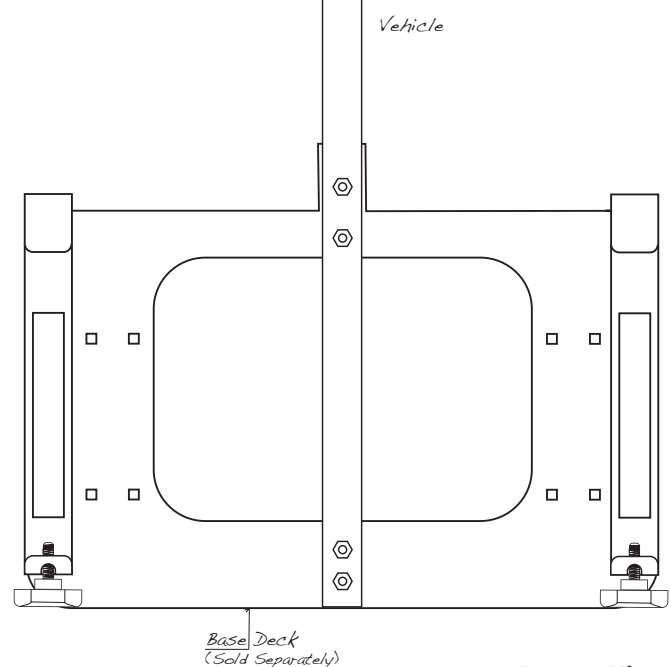


Side assembled view of Recovery Board Kit

## 1 Mount Recovery Board Kit:

The Recovery Board Kit can be mounted as a solo product or can be used in conjunction with many of our other kits, such as the Ski and Cooler Kit. It can be mounted to the bottom, top or top and bottom of the Base Deck, depending on your preference.

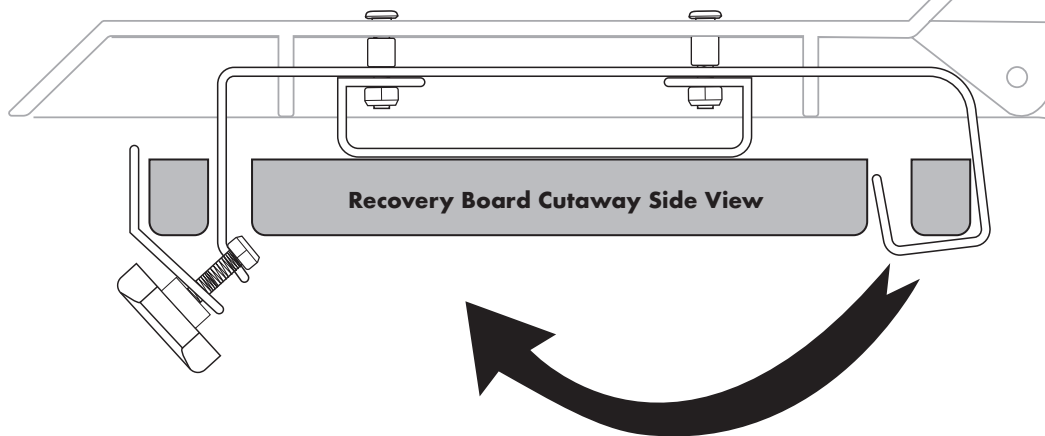
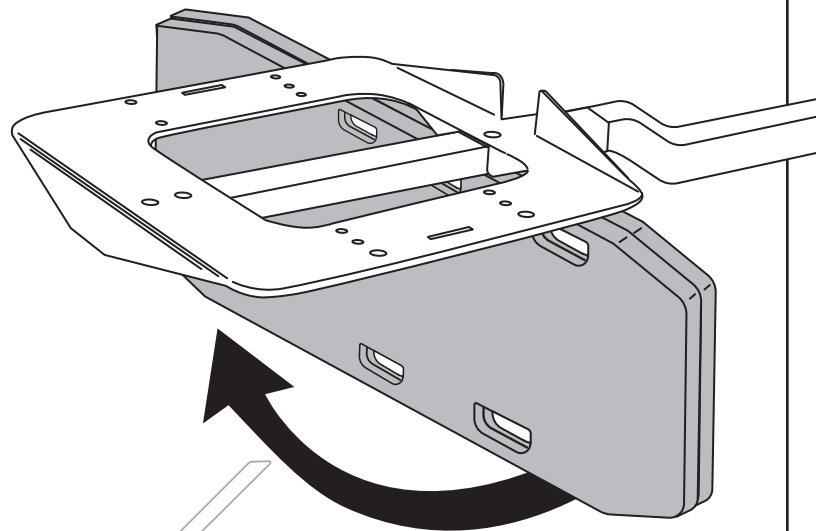
- Start with the Base Deck (sold separately) mounted to your vehicle.
- Bottom Mount - Align Under-mount Bracket and Board Spacer with the outside Base Deck holes. The Knob will be located at end of Base Deck, away from vehicle.
- Longer bolts are provided if you would like to attach a top mount kit. Place bolts through top kit (sold separately), then Base Deck, Bolt Spacer, Under-mount bracket and Board Spacer, Washer and attach with a lock nut. Repeat other side.
- Top Mount - Follow same instructions as the Bottom Mount, just on the top of the Base Deck.



Bottom View

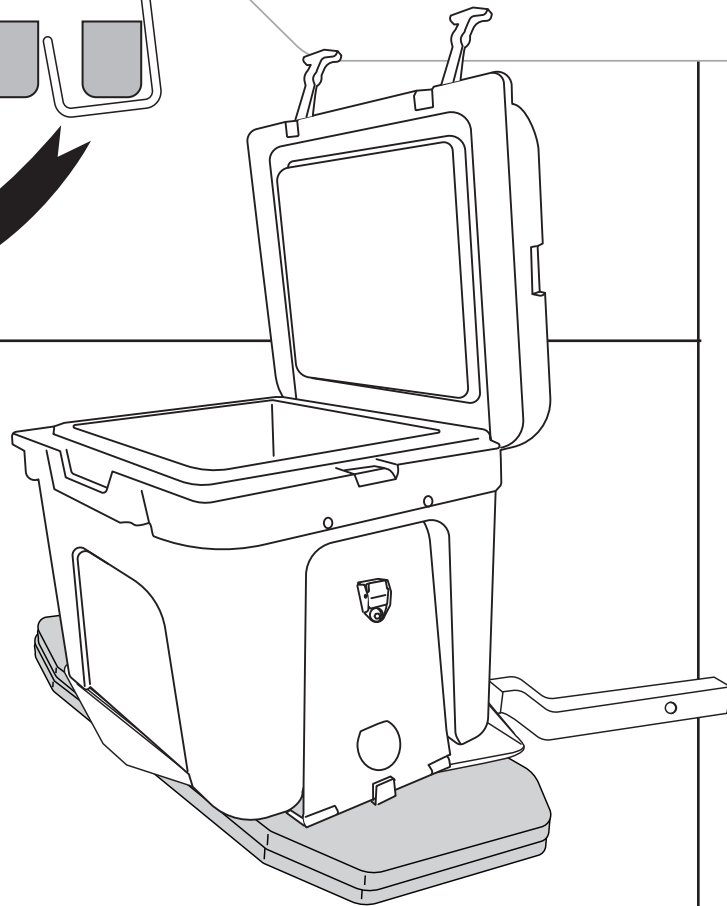
## 2 Attach Recovery Boards:

- Remove the Lock Plate and Lock Knob
- With recovery boards (2) facing down (the part that contacts the vehicle wheels facing down).
- Hook the two outside handles of the recovery boards (2) on the Rear Bracket Hooks.
- Swing boards level with the Base Deck and the front of the Under-mount Bracket will come up through the front two handles.
- Attach Lock Plate (optional) and screw in Lock Knob to hold in place.



## 3 Attach Other Kits:

Other kits can be used with the Recovery Board Kit by using the same hole pattern and using the Recovery Board Bolts to go through both kit frames.



### Warning:

Ensure your rack & equipment is secure before each use.

**NEED HELP? Contact us.**

**Do not return this product to your retailer, email us!**

**100% KARE Warranty** (*Kick Ass Remedy Experience*)

We do our best to create the finest gear in the market, however on occasion we don't nail it the first time. For this reason, Sloggn unconditionally guarantees its products against defects in materials, design and craftsmanship for the practical lifetime of the product. If the product just got too much love (you can never get too much love but...) or you abused it in a fit of rage we have a great upgrade, repair and replace programs at a very reasonable rate.

**SLOGGN**  
GEAR

Sloggn Gear LLC ] [ Burlington, VT USA  
(802) 575-6446 ] [ info@sloggn.com

**www.SLOGGN.com**