



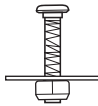
WARNING: When using Sloggn Base Deck and accessories, the user must understand the precautions. The points listed below will assist you in using the rack system and will encourage safety.

- For quality fits and safety, use only the recommended Sloggn Gear rack or accessories.
- The maximum load specified in the assembly instructions is not to be exceeded. However, this limit is always subordinate to the maximum load recommended by the manufacturer of the car itself. It is always the lower maximum recommended load that applies. Max load = load carrier weight + any fitted carrier accessories + the weight of the load itself.
- Make sure all knobs, bolts, screws, straps, and locks are firmly attached, tightened, and locked before every trip. Knobs, bolts, screws, straps, and locks must be periodically inspected for signs of wear, corrosion, and fatigue. Check your gear at stops during the trip to ensure continued fastening security.
- Check local and state laws governing the projection of objects beyond the perimeter of a vehicle. Be aware of the width, length, and height of your cargo since low clearance branches, bridges, and parking garages can affect the load. All cargo will affect the vehicle's driving behavior. Never drive with any lock, knob, or rack in an open or unlocked position.
- Remove your Sloggn rack and accessories when they are not in use and before entering automatic car washes.
- For the safety of your vehicle and rack system, obey all posted speed limits and traffic cautions. Adapt your speed to the conditions of the road and the load being carried.
- Do not use Sloggn Gear and accessories for purposes other than those for which they were designed. Do not exceed their carrying capacity. Failure to follow these guidelines or the product's instructions will void the warranty.
- All loads must be secured using the provided hardware.
- Use of the carrier is restricted to Class II (and higher), 2" or 1 1/4" receiver hitch.
- Do not allow people to climb, get into, or sit on the carrier at any time.
- Do not use this carrier for transporting people, animals, or flammables.
- Not for off-road use.
- Vehicle taillights must remain visible.
- Contact customer service if you have any questions regarding the operations and limits of Sloggn products. Review all instructions and warranty information carefully.

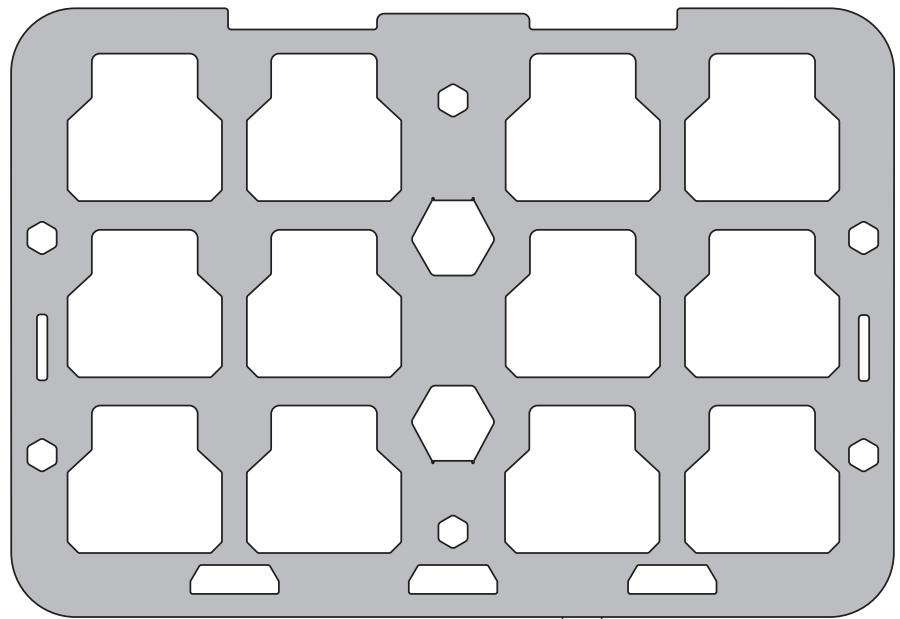
Parts List:

Images not to scale

(Qty 5) 13mm Carriage Bolt, Washer & Lock Nut



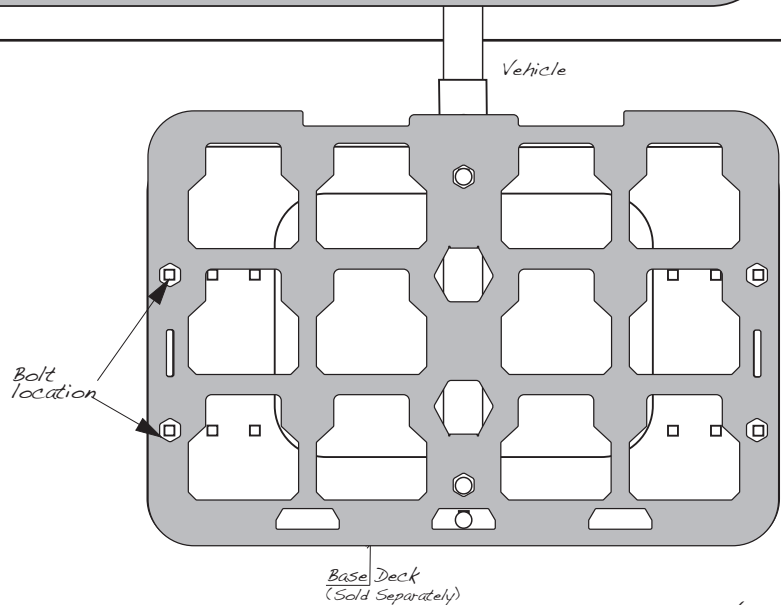
(Qty 1) Sloggn PACKOUT Plate



1 Sloggn PACKOUT Plate:

The Sloggn PACKOUT Plate attaches to the Base Deck using 4 primary carriage bolts and a 5th can be added as an option

- Start with the Base Deck (sold separately) mounted to your vehicle.
- Place the PACKOUT Plate on top of the Base Deck with the mule logo facing away from your vehicle.
- Place provided bolts through the aligned outside holes on the left and right side of the PACKOUT Plate. Add washer on bottom and secure nylon lock nut using a 13mm wrench or Sloggn Base Deck Tool.
- The bolt placement under the mule logo is optional.



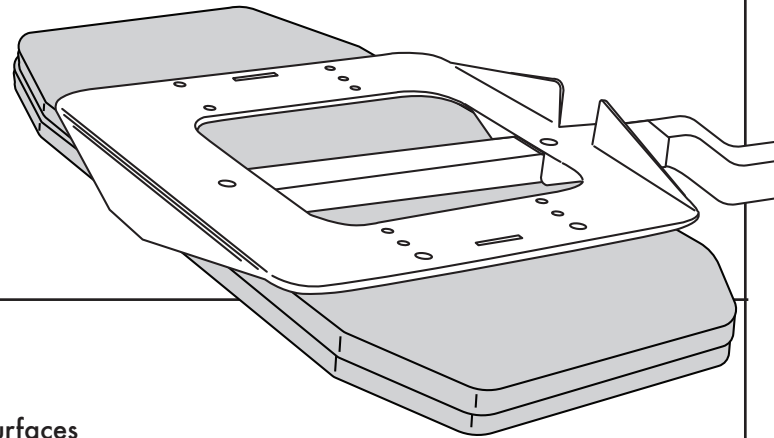
2 Attach PACKOUT Box to the Sloggn Tray:

- Align bottom of Milwaukee PACKOUT Box with Sloggn Tray and slide back, you may need to lift the quick release button on the front of the PACKOUT. Make sure you hear a click and test attachment.
- We recommend locking the PACKOUT storage box directly to the Base Deck or vehicle to reduce the chance of theft.
- To remove the PACKOUT Box, lift quick release and slide box forward.



3 Attach Other Kits:

Other kits can be used with the PACKOUT Tray Kit by using the same hole pattern. Shown is the Recovery Board Kit, check individual product to see compatibility



4 Attach to Other Surfaces:

The Sloggn PACKOUT Tray can also be attached to other solid surfaces using the same mounting holes that are used to attach it to the Base Deck. There are larger holes on the top of the PACKOUT Tray that allow access to bolt or screw the tray down.

Warning:

Ensure your rack & equipment is secure before each use.

NEED HELP? Contact us.

Do not return this product to your retailer, email us!

100% KARE Warranty (Kick Ass Remedy Experience)

We do our best to create the finest gear in the market, however on occasion we don't nail it the first time. For this reason, Sloggn unconditionally guarantees its products against defects in materials, design and craftsmanship for the practical lifetime of the product. If the product just got too much love (you can never get too much love but...) or you abused it in a fit of rage we have a great upgrade, repair and replace programs at a very reasonable rate.

SLOGGN
GEAR

Sloggn Gear LLC] [Burlington, VT USA
(802) 575-6446] [info@Sloggn.com

www.SLOGGN.com