



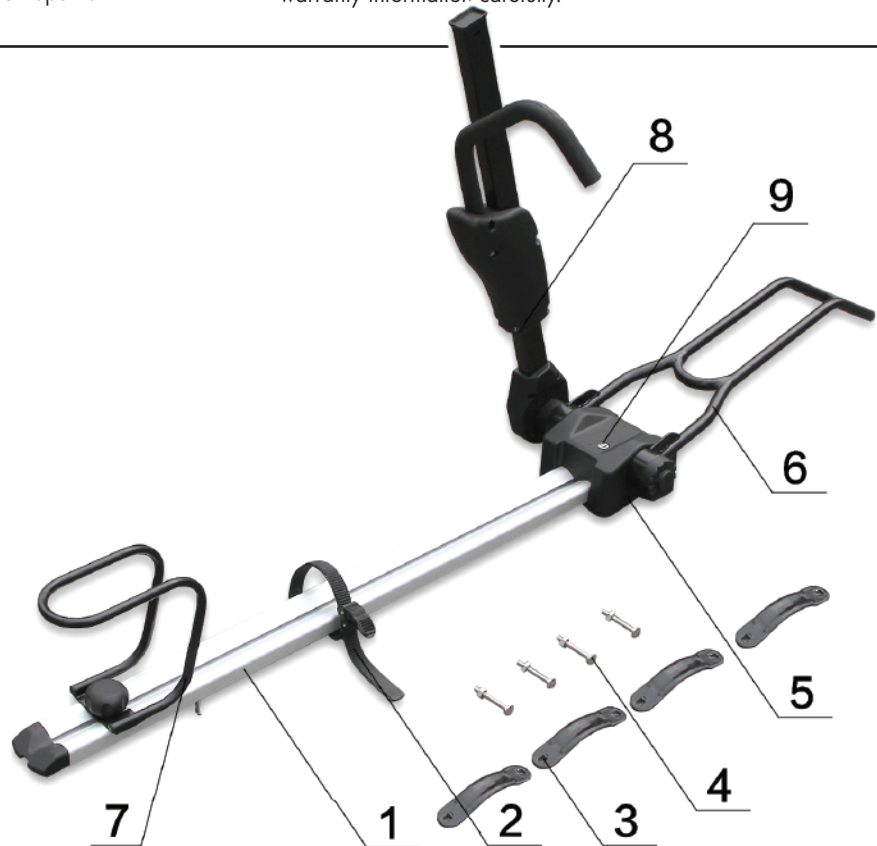
WARNING: When using Sloggn Base Deck and accessories, the user must understand the precautions. The points listed below will assist you in using the rack system and will encourage safety.

- For quality fits and safety, use only the recommended Sloggn Gear rack or accessories.
- The maximum load specified in the assembly instructions is not to be exceeded. However, this limit is always subordinate to the maximum load recommended by the manufacturer of the car itself. It is always the lower maximum recommended load that applies. Max load = load carrier weight + any fitted carrier accessories + the weight of the load itself.
- Make sure all knobs, bolts, screws, straps, and locks are firmly attached, tightened, and locked before every trip. Knobs, bolts, screws, straps, and locks must be periodically inspected for signs of wear, corrosion, and fatigue. Check your gear at stops during the trip to ensure continued fastening security.
- Check local and state laws governing the projection of objects beyond the perimeter of a vehicle. Be aware of the width, length, and height of your cargo since low clearance branches, bridges, and parking garages can affect the load. All cargo will affect the vehicle's driving behavior. Never drive with any lock, knob, or rack in an open or unlocked position.

- Remove your Sloggn rack and accessories when they are not in use and before entering automatic car washes.
- For the safety of your vehicle and rack system, obey all posted speed limits and traffic cautions. Adapt your speed to the conditions of the road and the load being carried.
- Do not use Sloggn Gear and accessories for purposes other than those for which they were designed. Do not exceed their carrying capacity. Failure to follow these guidelines or the product's instructions will void the warranty.
- All loads must be secured using the provided hardware.
- Use of the carrier is restricted to Class II (and higher), 2" or 1 1/4" receiver hitch.
- Do not allow people to climb, get into, or sit on the carrier at any time.
- Do not use this carrier for transporting people, animals, or flammables.
- Not for off-road use.
- Vehicle taillights must remain visible.
- Contact customer service if you have any questions regarding the operations and limits of Sloggn products. Review all instructions and warranty information carefully.

Parts List:

- 1 - Aluminum Beam (1 piece)
- 2 - Wheel Strap (1 piece)
- 3 - Steel Bracket (4 pieces)
- 4 - T-Bolts and Nuts (8 Sets)
- 5 - Head Unit (1 piece)
- 6 - Front Wheel Cradle (1 piece)
- 7 - Rear Wheel Cradle (1 piece)
- 8 - Locking Adjustable Arm (1 piece)
- 9 - Lock (1 piece)
- 10 - Keys (2 pieces)



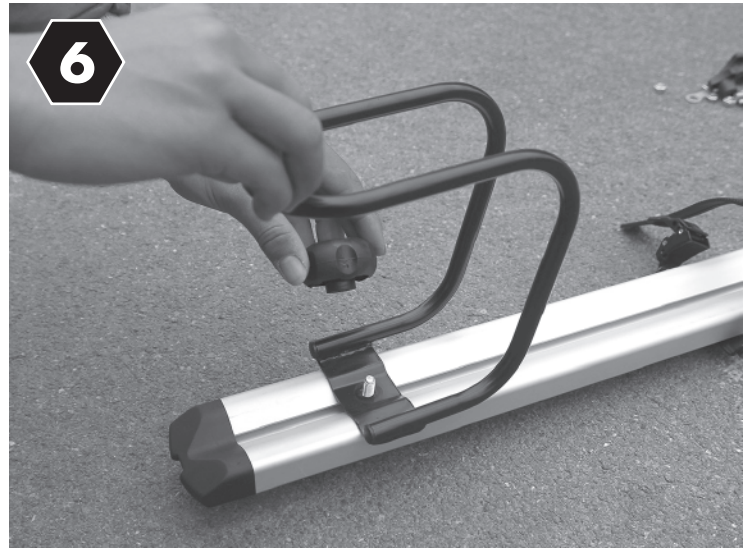
Folded:



Install On Base Deck

- Remove the Wheel Strap
- Slide 4 T-bolts into the left channel under the Aluminum Beam, repeat on the right channel. (Fig. 1+2)
- Place the rear Aluminum Beam on one side of the Base Deck with the 4 T-bolts straddling the inside and outside of the Base Deck, loosely tighten the Joist to the Base Deck using 2 Steel Bracket. Repeat on front of Beam and other side of the Base Deck. (Fig. 3+4)
- With the T-Bolts still just hand tightened, slide the Bike Kit left or right to center on the Base Deck considering the length of your bike.
- Tighten the T-Bolts/nuts using a 13mm Wrench or the Base Deck wrench. (Fig. 5)
- Install Rear Wheel Cradle with hand knob (Fig. 6)
- Re-attach the Wheel Strap
- **See Adjustment Guide** to fit your bike





Warning:

Ensure your rack & equipment is secure before each use.

NEED HELP? Contact us.

Do not return this product to your retailer, email us!

100% KARE Warranty *(Kick Ass Remedy Experience)*

We do our best to create the finest gear in the market, however on occasion we don't nail it the first time. For this reason, Sloggn unconditionally guarantees its products against defects in materials, design and craftsmanship for the practical lifetime of the product. If the product just got too much love (you can never get too much love but...) or you abused it in a fit of rage we have a great upgrade, repair and replace programs at a very reasonable rate.

SLOGGN
GEAR

Sloggn Gear LLC] [Burlington, VT USA
(802) 575-6446] [info@sloggn.com

www.SLOGGN.com

Install On Roof Rack

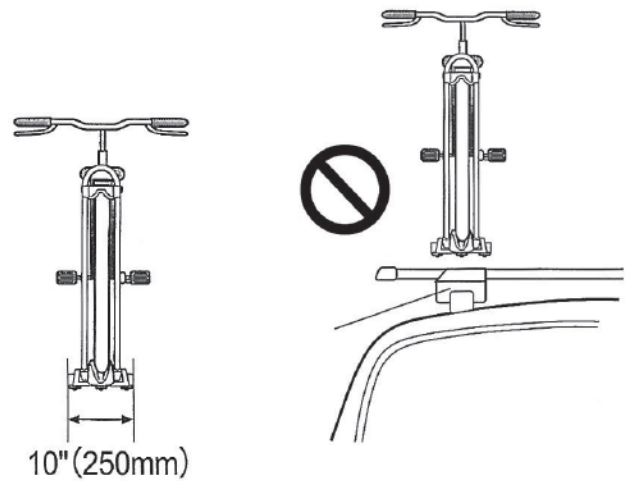
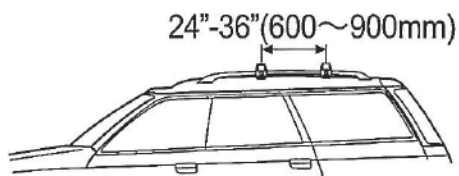
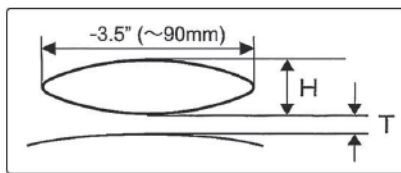
- Install Rear Wheel Cradle with hand knob
- Remove the Wheel Strap (Fig. 1)
- Slide 4 T-bolts into the left channel under the Aluminum Beam, repeat on the right channel. (Fig. 2+3)
- Remove the Head Unit using the key set. Place the head unit on the front cross bar of your vehicle and loosely attach using the Steel Bracket and T-Bolts/nuts. (Fig. 4+5)
- Place the rear Aluminum Beam on the rear cross bar of your vehicle and loosely tighten using the Steel Bracket and nuts. (Fig. 6)
- Tighten the T-Bolts/nuts using a 13mm wrench or the Base Deck wrench.(Fig. 7)
- Put the Head Unit back on and lock (this will lock the rack to your cross bar. (Fig. 8)
- Attach the Wheel Strap.
- **See Adjustment Guide** to fit your bike





Warning:

Ensure your rack & equipment is secure before each use.



NEED HELP? Contact us.
Do not return this product to your retailer, email us!

Adjustment Guide

- Place bike on rack. (Fig. 1)
- Slide the Locking Adjustment Arm to best fit your bike. (Fig. 1)
- Tighten Wheel Strap. (Fig. 2)
- Loosen hand knob to adjust the position of the rear wheel cradle. (Fig. 3)
- Use Lock on Adjustment Arm to lock the bike to the rack.
- A separately purchased cable lock can be used for additional security



Warning:
Ensure your rack & equipment
is secure before each use.

